

| IN THE PURSUIT OF CONTROL |



New to Range

2917310 Brake Pad Set

2917411 Brake Pad Set

2927303 Brake Pad Set

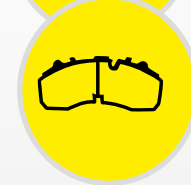
2927203 Brake Pad Set

October 2025

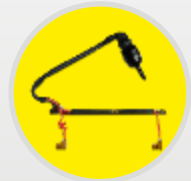
Textar is all about Brake Technology



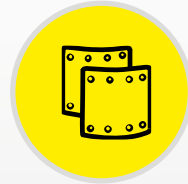
Textar brake pads are OE engineered and produced 100% in Germany



106
Brake Pads



40
Wear Indicators



344
Brake Linings



41
Rivets

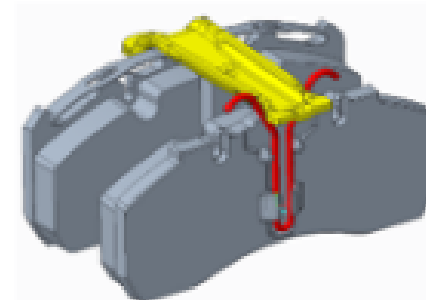
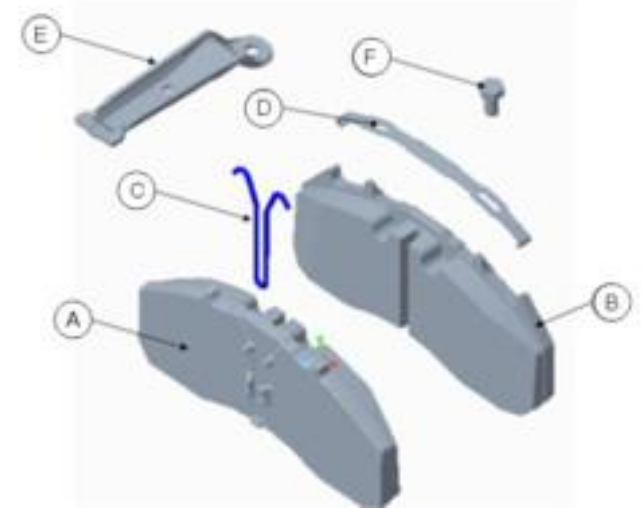


110
Brake Discs



Volvo/Renault Drag Free (Active Pad Retraction - APR) – Textar Alternative Offer

- APR - Volvo/Renault initiative launched for new heavy and medium vehicles from December 2023
- Meritor Elsa 225-1 and Elsa 225-3 brake calipers – new generation
- Designed to actively retract the brake pads from the disc after braking, using a spring mechanism
- Reduces residual friction, improving fuel efficiency and minimizing brake wear
- By reducing the drag caused by pads lightly contacting the disc during normal driving, the system supports sustainability and environmental goals
- Can retrofit backwards to older calipers
- Can also be known as Positive Pad Retraction (PPR)
- **NOT** available in the IAM in the OES format due to patent restrictions
- Textar offer does not contribute to drag free benefits - only to allow our brake pads to fit the new caliper



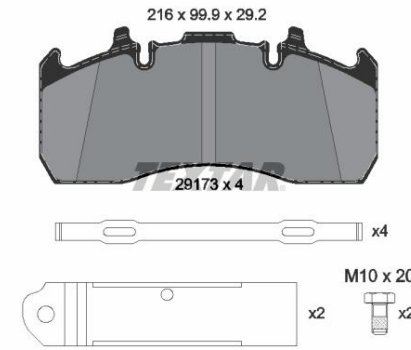
New to range 2917310 – Brake Pad Set for Volvo/Renault truck applications – Elsa 225-1 Brake Caliper



- Specification

- Brake Pad Width: 216.1mm
- Brake Pad Height: 99.9mm
- Brake Pad Thickness: 29.2mm
- Quality: TX3032-1
- Packaging Length: 285.0mm
- Packaging Width: 292.0mm
- Packaging Height: 72.0mm
- Technical Information No: 29173 292 4 4
29173
- EAN/IPC Code: 4019722621710
- ECER90 Ref: E11-90R02A01981/84759
- With Accessories: Included
- Wear Warning Contact: Prepared
- Surface Coating: None

2917310 Product Images



New to range 2917310 – Brake Pad Set for Volvo & Renault Truck applications – Elsa 225-1 Caliper

- **Volvo & Renault truck Applications:**
- Renault D models 12/2023>
- Volvo FL III Series 12/2023>
- Front and Rear axles
- Can also retrofit old models fitted with Meritor Elsa 225-1 brake system



- **OE References:**
- Renault – 5001864365
- Renault – 7422921058
- Renault – 7424204883*
- Renault – 7424204889*
- Renault – 24204883* Renault – 24204889*
- Volvo – 20560414 Volvo – 21352573
- Volvo – 20568712 Volvo – 24169894*
- Volvo - 20568715



OE Part Numbers

All manufacturers' numbers including any description and/or symbols are for reference only. Whilst every effort has been made to ensure the accuracy of the information, no liability is given or implied for any error or omission * OE references are not a direct equivalent due to patents not being available in the aftermarket

New to range 2927203 – Brake Pad Set for Volvo/Renault truck applications – Elsa 225-1 Caliper

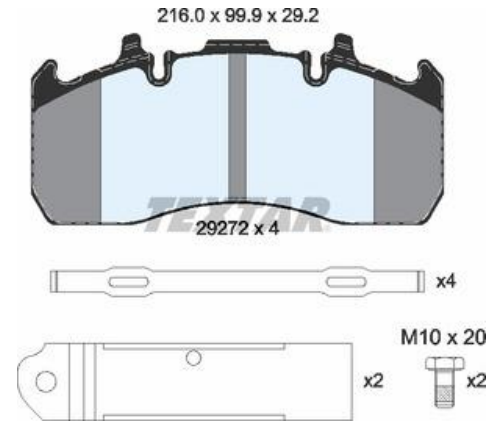


- Specification

- Brake Pad Width: 216.1mm
- Brake Pad Height: 99.9mm
- Brake Pad Thickness: 29.2mm
- Quality: TX7600-1
- Packaging Length: 285.0mm
- Packaging Width: 292.0mm
- Packaging Height: 72.0mm
- Technical Information No: 29272 292 4 4
29272

- EAN/IPC Code: 4019722622915
- ECER90 Ref: E11-90R02A01981/84749
- With Accessories: Included
- Wear Warning Contact: Prepared
- Surface Coating: Transparent

2927203 Product Images



New to range 2927203 – Brake Pad Set for Volvo & Renault Truck applications – Elsa 225-1 Caliper

- **Volvo & Renault truck Applications:**
- Renault D models 12/2023>
- Volvo FL III Series 2023>
- Front and Rear axles
- Can also retrofit old models fitted with Meritor Elsa 225-1 brake system



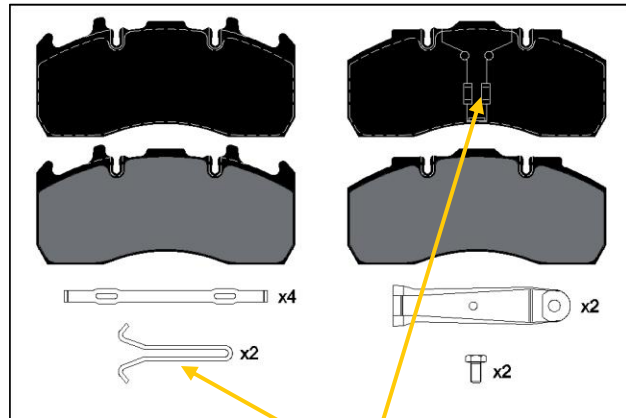
- **OE References:**
- Renault – 24204883
- Renault – 7421496556
- Renault – 7422921065
- Renault – 7424204883
- Renault – 7424204889
- Volvo – 21496551 Volvo – 24169894*
- Volvo – 24204888 Volvo – 24204889

OE Part Numbers

All manufacturers' numbers including any description and/or symbols are for reference only. Whilst every effort has been made to ensure the accuracy of the information, no liability is given or implied for any error or omission * OE references are not a direct equivalent due to patents not being available in the aftermarket

Meritor Elsa 225-1 Brake Pad APR Technology – Textar offer

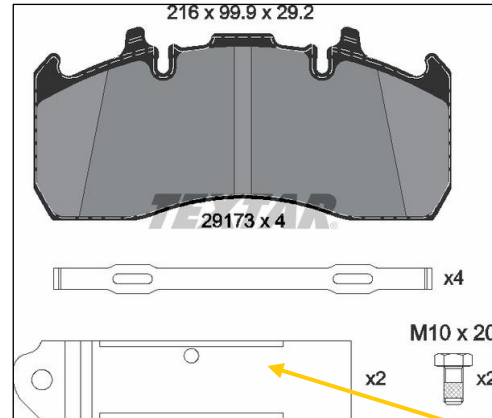
Volvo/Renault OES



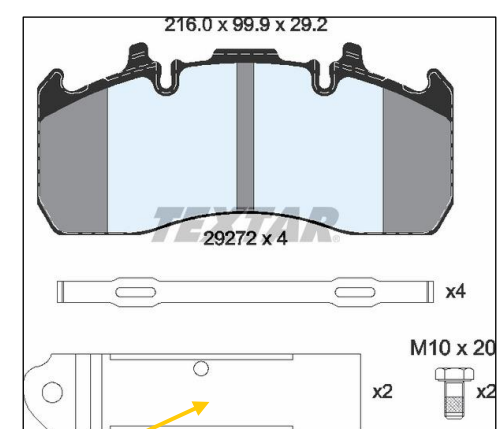
Volvo Renault patented parts – not available to Textar/IAM

Different inboard and outboard brake pads

Textar 2917310 TX3032-1



Textar 2927203 TX7600-1



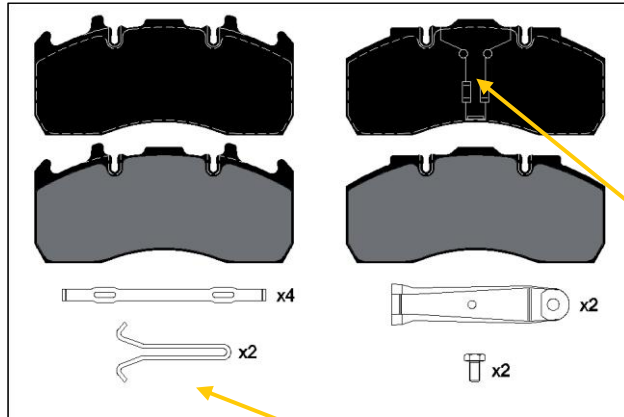
Textar have added 2 retainers to the accessory kit to allow the brake pads to fit to the new Elsa 225-1 brake caliper

Textar brake pad sets are 4 of the same brake pad

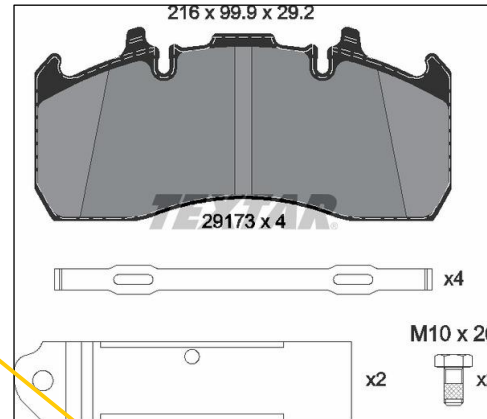
Elsa 225-1	Volvo	Renault
Brake Pad Set	24169894	24204883
Inboard Pad x 2	24068707	24204906
Outboard Pad x 2	24152610	24204910
Legacy Kit	24204888	24204889
Brake Pads x 4	24152610	24204910

Meritor Elsa 225-1 Brake Pad APR Technology – Textar offer

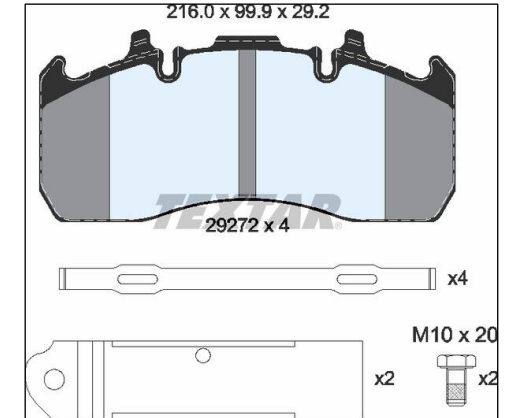
Volvo/Renault OES



Textar 2917310
TX3032-1

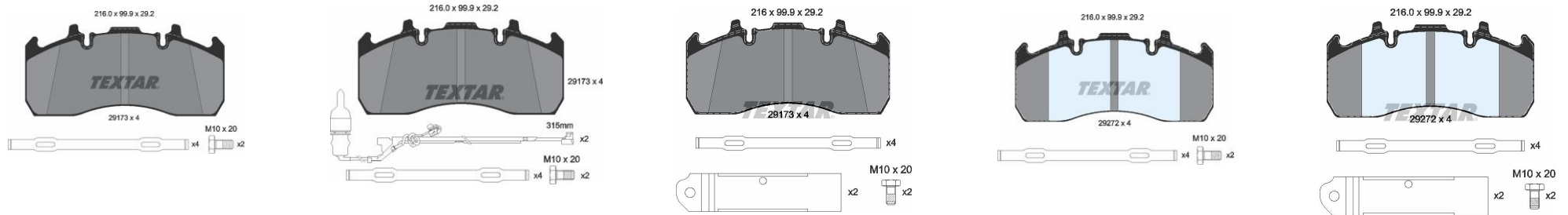


Textar 2927203
TX7600-1



Volvo 24169894 Renault 24204883	Textar 2917310 New TX3032-1	Textar 2927203 New TX7600-1	Parts List	Notes
Qty	Qty	Qty		
2	2	2	Inboard Pad	Spring attachment for Volvo/Renault – not available in the IAM. Textar inboard and outboard pads are the same
2	2	2	Outboard Pad	
2	0	0	Return Spring	Spring not available in the IAM
2	4	4	Spring	
2	2	2	Retainer	Retainer allows Textar brake pads to fit new calipers
2	2	2	Hexagon Screw	

Brake Pads for Meritor Elsa 225-1



Part Number	2917301	2917303	2917310	2927201	2927203
Conventional Service Kit	✓	✓	✗	✓	✗
Wear Indicator Included	✗	✓	✗	✗	✗
Copper Free	✓	✓	✓	✓	✓
Friction Material	TX3032-1	TX3032-1	TX3032-1	TX7600-1	TX7600-1
Compatible with APR	✗	✗	✓	✗	✓

For applications pre 2021

For applications 2021 onwards

2917310 and 2927203 can retrofit conventional Elsa 225-1 calipers
 2917301, 2917303 and 2927201 are only compatible with conventional Elsa 225-1 calipers
 For full application information, please refer to Brakebook

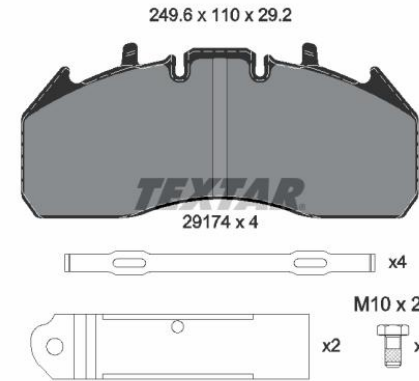
New to range 2917411 – Brake Pad Set for Volvo/Renault truck applications – Elsa 225-3 Caliper



• Specification

- Brake Pad Width: 249.6mm
- Brake Pad Height: 110.0mm
- Brake Pad Thickness: 29.2mm
- Quality: TX3032-1
- Packaging Length: 285.0mm
- Packaging Width: 292.0mm
- Packaging Height: 72.0mm
- Technical Information No: 29174 292 4 4
29174
8986D1758
- EAN/IPC Code: 4019722622908
- ECER90 Ref: E11-90R02A01981/84763
- With Accessories: Included
- Wear Warning Contact: Prepared
- Surface Coating: None

2917411 Product Images



New to range 2917411 – Brake Pad Set for Volvo & Renault Truck applications – Elsa 225-3 Caliper

- **Volvo & Renault truck Applications**

- Renault C – 12/2023>
- Renault T – 12/2023>
- Volvo – FH III 12/2023>
- Volvo – FH16 III 12/2023>
- Volvo – FM III 12/2023>
- Volvo – FMX III 12/2023>
- Front and Rear axles
- Can also retrofit old models fitted with Meritor Elsa 225-3 brake system



- **OE References:**

- Renault – 500184363 Renault – 5001864364
- Renault – 7421399929 Renault – 7422921057
- Renault – 7424204882* Renault – 7424204887*
- Volvo – 20526568 Volvo - 20560412
- Volvo – 20568711 Volvo – 20568714
- Volvo – 21352570 Volvo – 21496550
- Volvo – 23149532 Volvo – 24169892*
- Volvo – 24204886* Volvo – 24226155*
- Volvo – 24226156*

OE Part Numbers

All manufacturers' numbers including any description and/or symbols are for reference only. Whilst every effort has been made to ensure the accuracy of the information, no liability is given or implied for any error or omission * OE references are not a direct equivalent due to patents not being available in the aftermarket

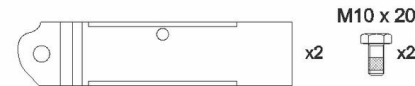
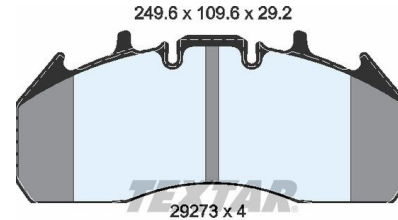
New to range 2927303 – Brake Pad Set for Volvo/Renault truck applications – Elsa 225-3 Caliper



- Specification

- Brake Pad Width: 249.6mm
- Brake Pad Height: 109.6mm
- Brake Pad Thickness: 29.2mm
- Quality: TX7600-1
- Packaging Length: 285.0mm
- Packaging Width: 292.0mm
- Packaging Height: 72.0mm
- Technical Information No: 29273 292 3 4
- 29273
- EAN/IPC Code: 4019722623141
- ECER90 Ref: E11-90R02A01981/84748
- With Accessories: Included
- Wear Warning Contact: Prepared
- Surface Coating: Transparent

2927303 Product Images



New to range 2927303 – Brake Pad Set for Volvo & Renault Truck applications – Elsa 225-3 Caliper

- **Volvo & Renault truck Applications**

- Renault C – 12/2023>
- Renault T – 12/2023>
- Volvo – FH III 12/2023>
- Volvo – FH16 III 12/2023>
- Volvo – FM III 12/2023>
- Volvo – FMX III 12/2023>
- Front and Rear axles
- Can also retrofit old models fitted with Meritor Elsa 225-3 brake system



- **OE References:**

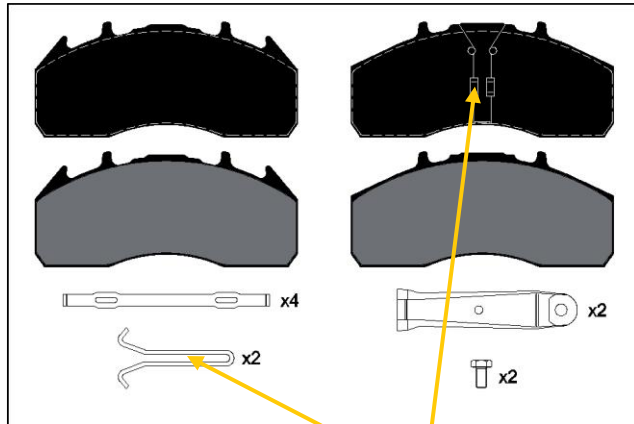
- Renault – 24204882 Renault – 7421496555
- Renault – 7422921064 Renault – 7423149533
- Renault – 7424204882* Renault – 7424204887*
- UD Truck – 5222692958
- UD Truck – 5222828321
- UD Truck - 5222939731
- Volvo – 23149532 Volvo – 24169892*
- Volvo – 24204886* Volvo – 24226155*

OE Part Numbers

All manufacturers' numbers including any description and/or symbols are for reference only. Whilst every effort has been made to ensure the accuracy of the information, no liability is given or implied for any error or omission * OE references are not a direct equivalent due to patents not being available in the aftermarket

Meritor Elsa 225-3 Brake Pad APR Technology – Textar offer

Volvo/Renault OES

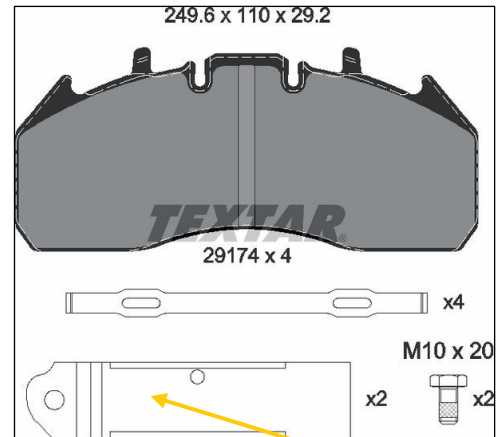


Volvo Renault patented parts – not available to Textar/IAM

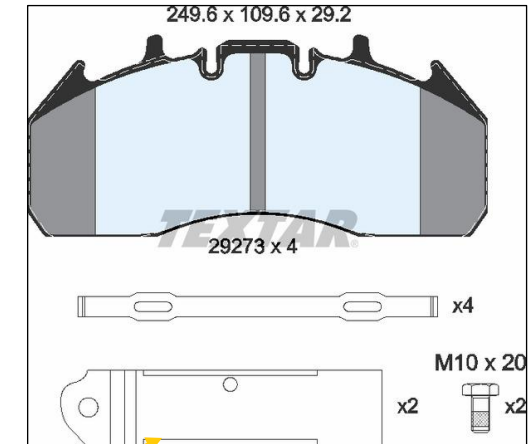
Different inboard and outboard brake pads

Elsa 225-3	Volvo	Renault
Brake Pad Set	24169892	24204882
Inboard Pad x 2	24068792	24204903
Outboard Pad x 2	24152608	24204909
Conventional Kit	24204886	24204887
Brake Pads x 4	24152608	24204909

Textar **2917411**
TX3032-1



Textar **2927303**
TX7600-1

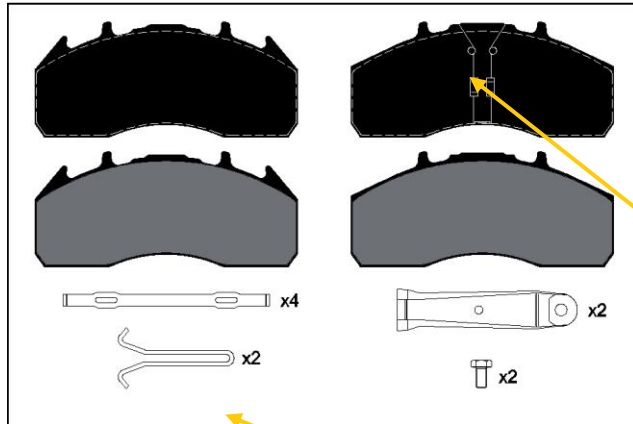


Textar have added 2 retainers to the accessory kit to allow the brake pads to fit to the new Elsa 225-3 caliper

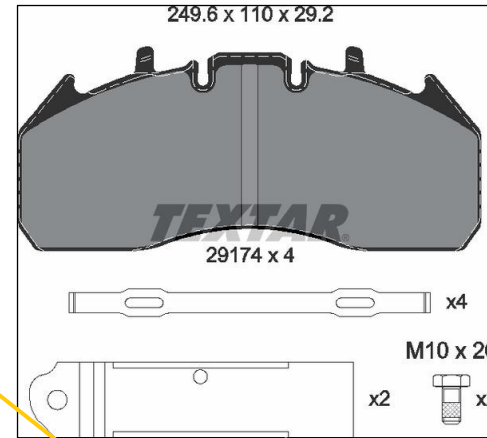
Textar brake pad sets are 4 of the same brake pad

Meritor Elsa 225-3 Brake Pad APR Technology – Textar offer

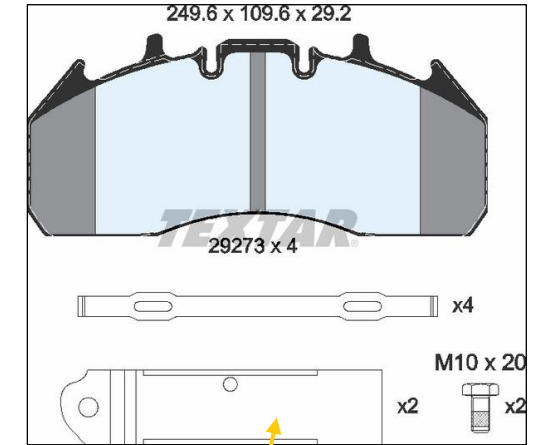
Volvo/Renault OES



Textar **2917411**
TX3032-1

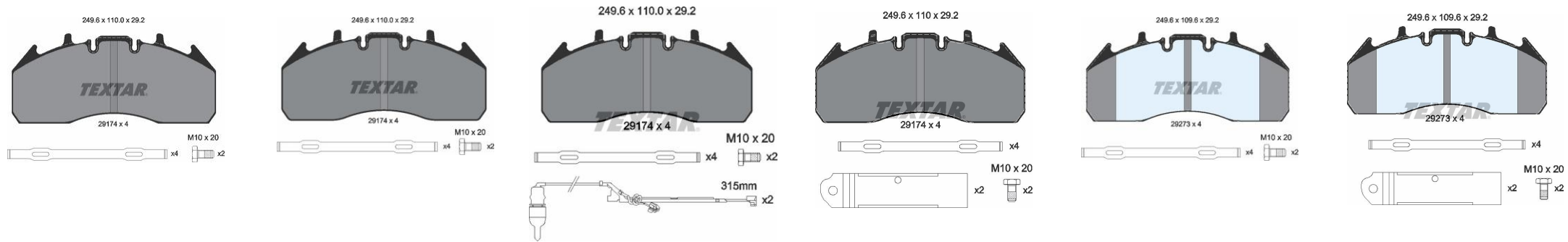


Textar **2927303**
TX7600-1



Volvo 24226155 Renault 24204882	Textar 2917411 New TX3032-1	Textar 2927303 New TX7600-1	Parts List	Notes
Qty	Qty	Qty		
2	2	2	Inboard Pad	Spring attachment for Volvo/Renault – not available in the IAM – Textar inboard and outboard pads are the same
2	2	2	Outboard Pad	
2	0	0	Return Spring	Spring not available in the IAM
2	4	4	Spring	
2	2	2	Retainer	Retainer allows Textar brake pads to fit new calipers
2	2	2	Hexagon Screw	

Brake Pads for Meritor Elsa 225-3



Part Number	2917401	2917402	2917403	2917411	2927301	2927303
Conventional Service Kit	✓	✓	✓	✗	✓	✗
Wear Indicator Included	✓	✓	✓	✗	✗	✗
Copper Free	✓	✓	✓	✓	✓	✓
Friction Material	TX3032-1	TX7400-1	T3032/TX3032-1	TX3032-1	T7600/TX7600-1	TX7600-1
Compatible with APR	✗	✗	✗	✓	✗	✓

For applications pre 2021

For applications 2021 onwards

2917411 and 2927303 can retrofit conventional Elsa 225-3 calipers
 2917401, 2917402, 2917403 and 2927301 are only compatible with conventional Elsa 225-3 calipers
 For full application information, please refer to Brakebook

New to range 2917310, 2927203, 2917411 & 2927303 – Brake Pad Sets for Volvo & Renault Truck applications – Elsa 225-1 and Elsa 225-3 Caliper

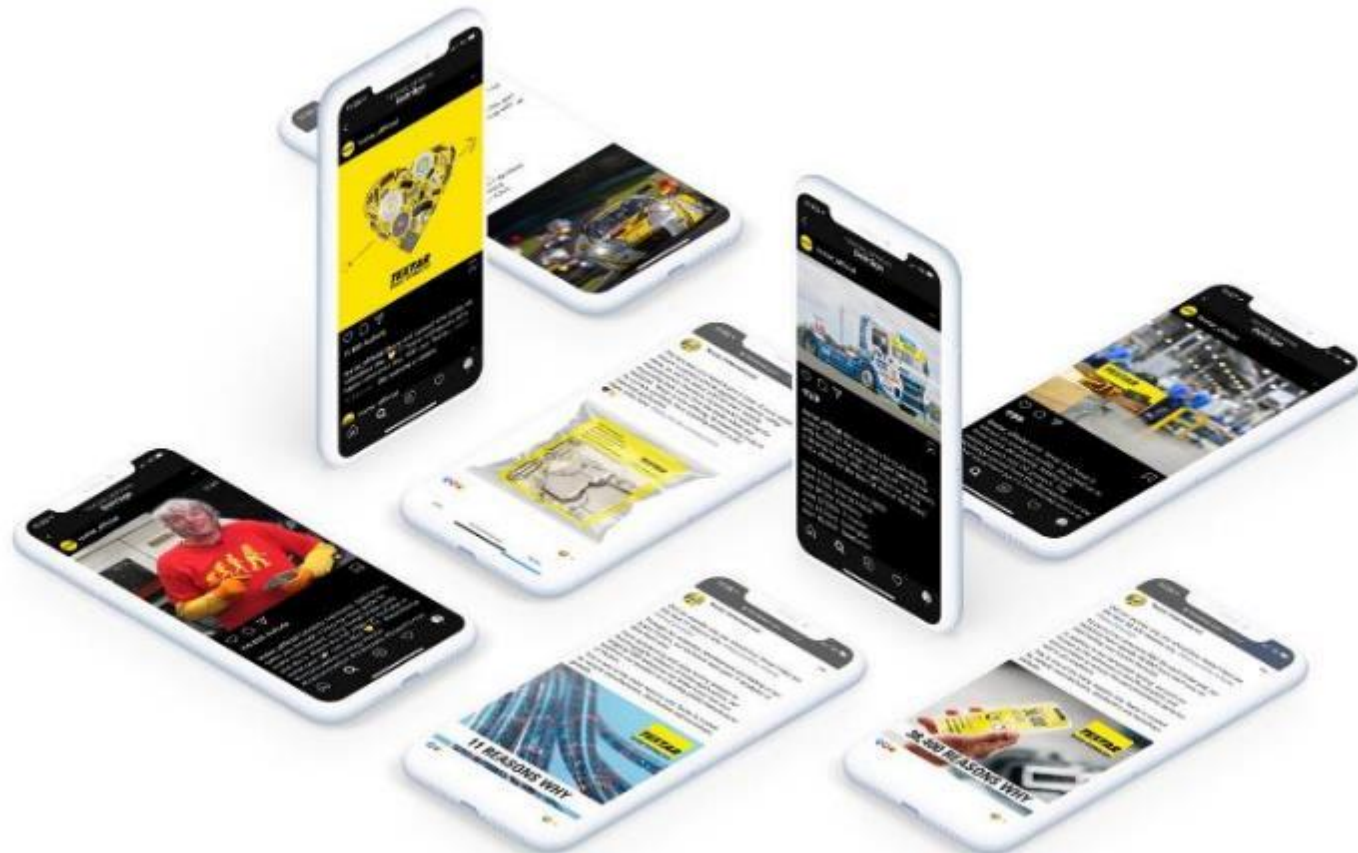
**Copper Free
friction
formulation**



- **Free from toxicologically hazardous fibres**
- **Free of copper and copper compounds**
- **Compatible with new Elsa 225-1 & Elsa 225-3 calipers with APR technology using new retainers in accessory kit**

Social Media

Join us on Facebook and Instagram



Textar website - www.textar.com

WHAT'S NEW?

STAY INFORMED!

SIGN UP FOR OUR NEWSLETTER!

ALL

FIRST TO MARKET

RANGE UPDATE

TECHNICAL ARTICLES

RANGE UPDATE – Brake Pads for the SCANIA TRUCKS

[READ MORE](#)

Dec 16, 2024

New Textar® apad delivers silent and clean braking for Asian vehicles

[READ MORE](#)

Oct 14, 2024

Best practice tips for commercial vehicle brake pad replacement

[READ MORE](#)

Oct 11, 2024



Textar Brakebook - More than just a catalogue



- Multiple part number search
- Personalized catalogue creation
- Weekly updates

TEXTAR

**COMPARE
UP TO 3
PRODUCTS
AT ONCE**



**PICK THE RIGHT
PRODUCT
EVERYTIME**

 brakebook.com

Textar Brakebook - Print on demand



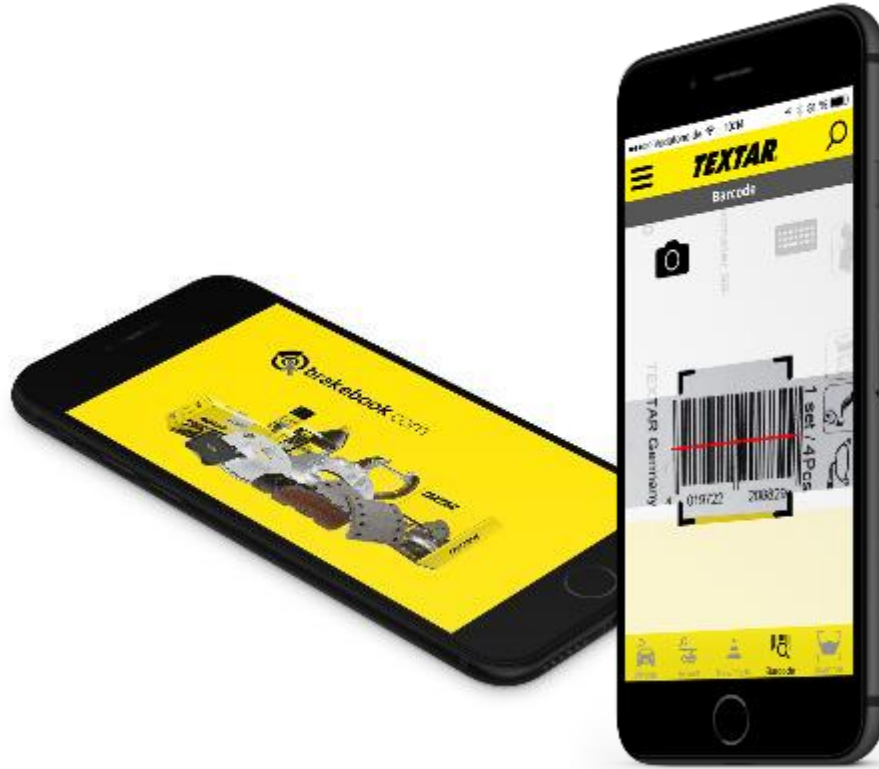
- Create your own catalogues
- For the entire product range, a selection of products or articles for particular manufacturers



Textar Brakebook - Free App for Android and IOS



- Direct access to all information
- Easy product search
- Free download
- Barcode scanner for product details



Textar Email Newsletter

