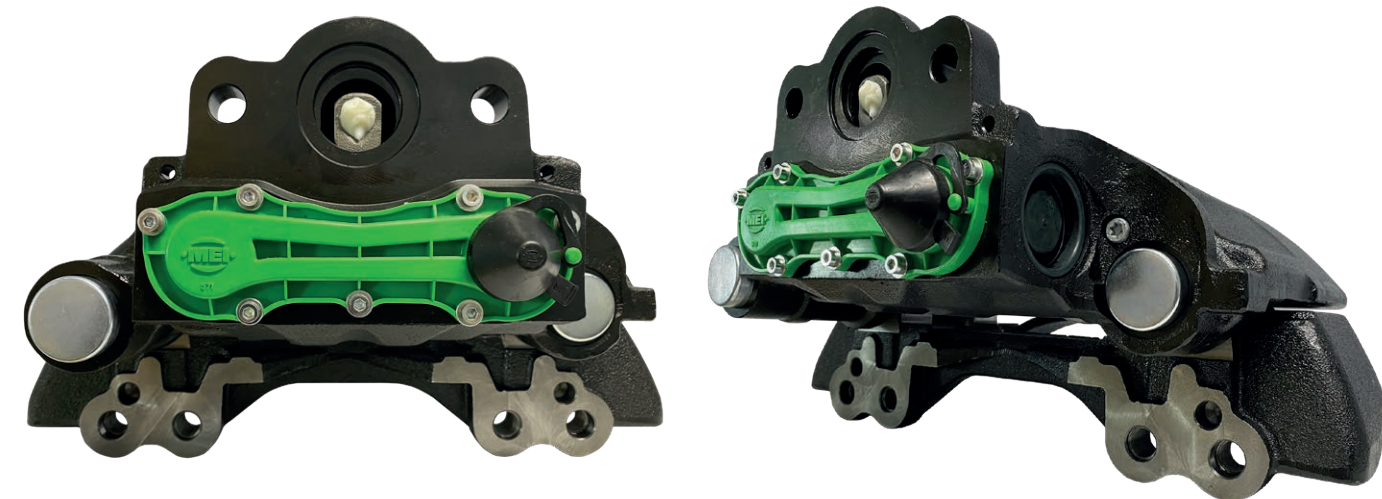


MEI FULL ASSEMBLIES

All complete brakes of Carrier and Caliper are fully assembled. As Carriers can fit a number of different Brake Calipers and Axles it is important to check the carrier O.E. number before ordering.

If the carrier does not match the MEI Full Assembly listed please contact sales@meibrakes.com.



5C1400-11 5C1400 5T1011

Full Assembly	Caliper	Carrier
K091700	K003803	K011479



Pad Size (Pad not included): W 248mm / H 110mm
 1 = 286mm / 2 = 400mm M18 x 1.5
 3 = 378mm M18 x 1.5 / 4 = 290mm M18 x 1.5
 Counterbored holes highlighted yellow.
 All dimensions are measured from hole centre to hole centre

5C1405-11 5C1405 5T1011

Full Assembly	Caliper	Carrier
K091699	K003804	K011479



Pad Size (Pads not included): W 248mm / H 110mm
 1 = 286mm / 2 = 400mm M18 x 1.5
 3 = 378mm M18 x 1.5 / 4 = 290mm M18 x 1.5
 Counterbored holes highlighted yellow.
 All dimensions are measured from hole centre to hole centre

5C4400-05 5C4400 5T1005

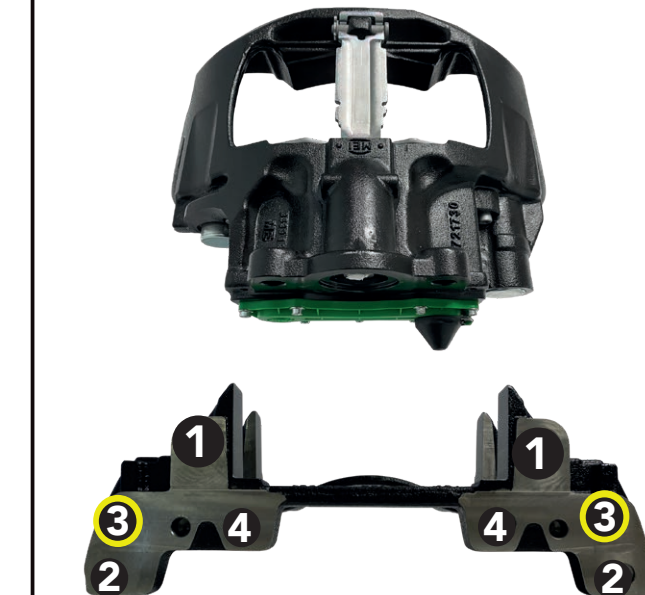
Full Assembly	Caliper	Carrier
K110229	K012634	K004099



Pad Size (Pads not included): W 210mm / H 108mm
 1 = 266mm / 2 = 400mm M16 x 1.5
 3 = 378mm M16 x 1.5 / 4 = 210mm M16 x 1.5
 Counterbored holes highlighted yellow.
 All dimensions are measured from hole centre to hole centre

5C4405-05 5C4405 5T1005

Full Assembly	Caliper	Carrier
K110228	K012633	K004099



Pad Size (Pads not included): W 210mm / H 108mm
 1 = 266mm / 2 = 400mm M16 x 1.5
 3 = 378mm M16 x 1.5 / 4 = 210mm M16 x 1.5
 Counterbored holes highlighted yellow.
 All dimensions are measured from hole centre to hole centre

5C6920-02 5C6920 5T1002

Full Assembly	Caliper	Carrier
K056448	K002964	K001529



Pad Size (Pads not included): W 248mm / H 110mm
 1 = 286mm / 2 = 408mm M16 x 1.5
 3 = 378mm M16 x 1.5 / 4 = 290mm M16 x 1.5
 Counterbored holes highlighted yellow.
 All dimensions are measured from hole centre to hole centre

5C6925-02 5C6925 5T1002

Full Assembly	Caliper	Carrier
K056447	K002965	K001529



Pad Size (Pads not included): W 248mm / H 110mm
 1 = 286mm / 2 = 408mm M16 x 1.5
 3 = 378mm M16 x 1.5 / 4 = 290mm M16 x 1.5
 Counterbored holes highlighted yellow.
 All dimensions are measured from hole centre to hole centre

5C1400-06 5C1400 5T1006

Full Assembly	Caliper	Carrier
K110128	K003803	K000026



Pad Size (Pads not included): W 248mm / H 110mm
 1 = 286mm / 2 = 400mm M16 x 1.5
 3 = 378mm M16 x 1.5 / 4 = 210mm M16 x 1.5
 Counterbored holes highlighted yellow.
 All dimensions are measured from hole centre to hole centre

5C1405-06 5C1405 5T1006

Full Assembly	Caliper	Carrier
K110127	K003804	K000026



Pad Size (Pads not included): W 248mm / H 110mm
 1 = 286mm / 2 = 400mm M16 x 1.5
 3 = 378mm M16 x 1.5 / 4 = 210mm M16 x 1.5
 Counterbored holes highlighted yellow.
 All dimensions are measured from hole centre to hole centre

5C1430-01 5C1430 5T1001

Full Assembly	Caliper	Carrier
K172880	K003811	K001278



Pad Size (Pads not included): W 248mm / H 110mm
 1 = 286mm / 2 = 408mm M18 x 1.5
 3 = 380mm M18 x 1.5 / 4 = 220mm M18 x 1.5
 All dimensions are measured from hole centre to hole centre

5C1435-01 5C1430 5T1001

Full Assembly	Caliper	Carrier
K172879	K003812	K001278



Pad Size (Pads not included): W 248mm / H 110mm
 1 = 286mm / 2 = 408mm M18 x 1.5
 3 = 380mm M18 x 1.5 / 4 = 220mm M18 x 1.5
 All dimensions are measured from hole centre to hole centre

5C4400-10 5C4400 5T1010

Full Assembly	Caliper	Carrier
K110227	K012634	K015308



Pad Size (Pads not included): W 210mm / H 108mm
 1 = 266mm
 2 = 316mm M18 x 1.5 / 3 = 216mm M18 x 1.5
 Counterbored holes highlighted yellow.
 All dimensions are measured from hole centre to hole centre

5C4405-10 5C4405 5T1010

Full Assembly	Caliper	Carrier
K110226	K012633	K015308



Pad Size (Pads not included): W 210mm / H 108mm
 1 = 266mm
 2 = 316mm M18 x 1.5 / 3 = 216mm M18 x 1.5
 Counterbored holes highlighted yellow.
 All dimensions are measured from hole centre to hole centre

5C6930-01 5C6930 5T1001

Full Assembly	Caliper	Carrier
K172886	K014065	K001278



Pad Size (Pads not included): W 248mm / H 110mm
 1 = 286mm / 2 = 408mm M18 x 1.5
 3 = 380mm M18 x 1.5 / 4 = 220mm M18 x 1.5
 All dimensions are measured from hole centre to hole centre

5C6935-01 5C6935 5T1001

Full Assembly	Caliper	Carrier
K172885	K014066	K001278



Pad Size (Pads not included): W 248mm / H 110mm
 1 = 286mm / 2 = 408mm M18 x 1.5
 3 = 380mm M18 x 1.5 / 4 = 220mm M18 x 1.5
 All dimensions are measured from hole centre to hole centre

5C2420 LV225 Mercedes A0044208083 K046529K50 K234019X50



Brake Chamber Mounting Angle 0°

Long Guide Sleeve

Chain Cover - Clip and Screw


Sensor Type Linear

Guide Sleeve Kits - Fully Sealed 5C2420 / 25
5R0215 - Full Kit 5RS215 - Single Sleeve

Guide Sleeve and Tappit Boot Kits To Fit All 5C2420 / 5C2425 Calipers
5R0405 - Tappit Kit 5R0200 - Full Kit 5RS200 - Single Sleeve



K046528K50 K234020X50 Mercedes A0044207983 LV225 **5C2425**



Brake Chamber Mounting Angle 0°

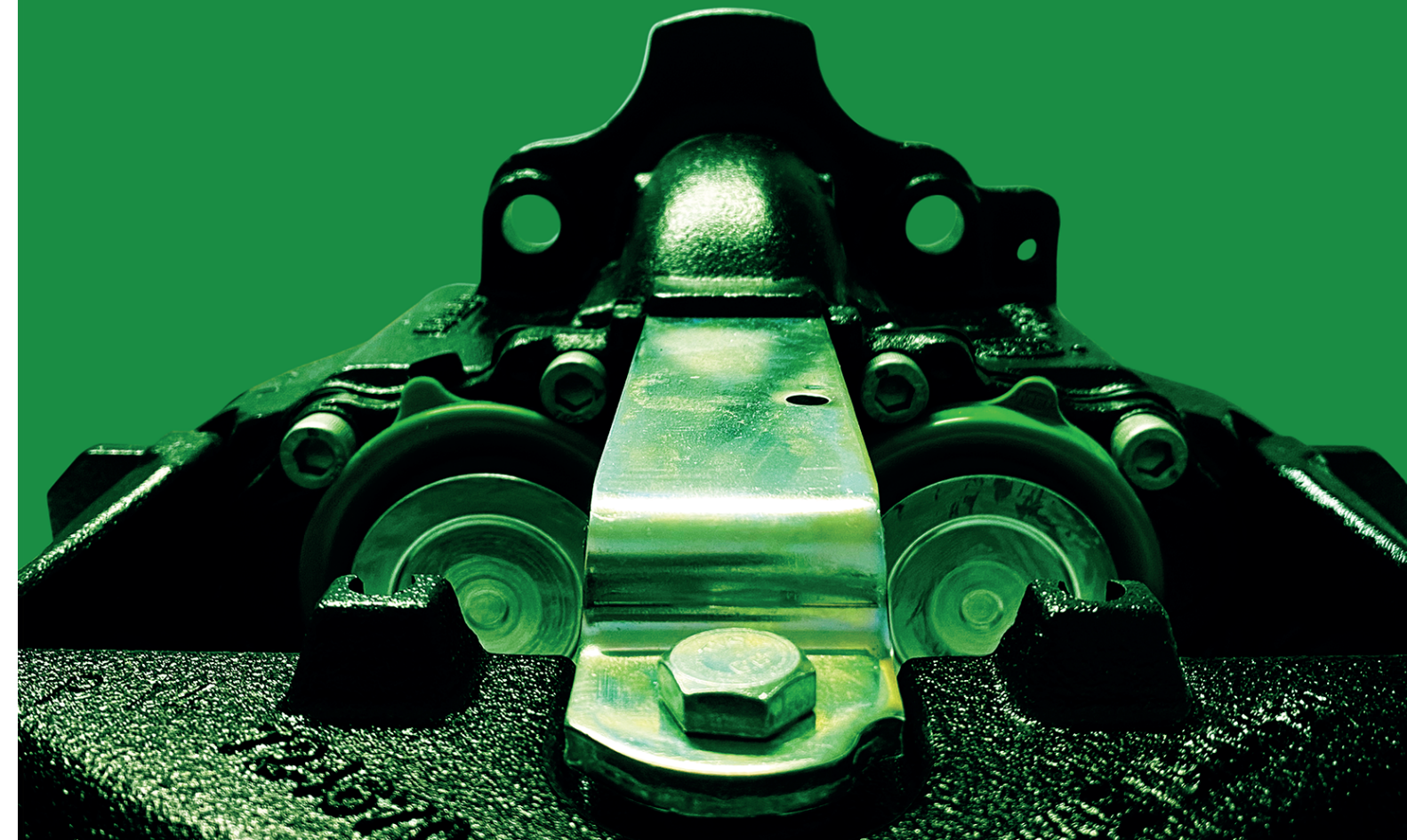
Long Guide Sleeve

Chain Cover - Clip and Screw

Sensor Type Linear

MEI DID YOU KNOW...

MEI BRAKES ARE 100% NEW AND 100% TESTED
 MEI BRAKES CAST FROM 98% RECYCLED MATERIAL
 MEI BRAKES HAVE A MINIMUM 2 YEAR WARRANTY
 MEI BRAKES PRODUCE FOSSIL FREE CASTINGS
 MEI HAS PRODUCED MORE THAN 25,000,000 SLACK ADJUSTERS
 TRUCKS FITTED WITH MEI BRAKES TAKE PART IN 75 RACES ACROSS EUROPE EVERY YEAR
 MEI HAS BEEN GRANTED 21 PATENTS
 MEI BRAKES CERTIFIED BY KBA
 MEI BRAKES USE OVER 90% RENEWABLE ENERGY
 MEI HAS PRODUCED MORE THAN 100,000 BRAKE CALIPERS
 MEI BRAKES ARE EQUIVALENT TO THE OEM ORIGINAL
 MEI HAVE STOCKISTS IN OVER 60 COUNTRIES AROUND THE WORLD
 MEI CALIPERS USE OUR INTERNALLY DEVELOPED ADJUSTER MECHANISM
 MEI BRAKES IS SELF SUFFICIENT FOR WATER DUE TO HARVESTING




sales@meibrakes.com

MEI BRAKE CALIPERS ADDITIONS TO RANGE



MEI BRAKES FOR THE LONG HAUL

9C2100-75 NV225 Renault Volvo 5010598360 20780786 MXC9309046



Brake Chamber Mounting Angle 0°

Long Guide Sleeve

Guide Sleeve Centre Distance - 264 mm

Carrier for 9C2100-75 / 9C2105-75
9T7075 - Carrier Kit



305 mm
350 mm
245 mm
369 mm
M18x1.5

Guide Sleeve and Tappit Boot Kits for 9C2100-75 / 9C2105-75
9R0250 - Guide Sleeve Kit 9R0450 - Tappit Boot Kit



MXC9309046 Renault Volvo 5010598360 20780787 NV225 **9C2105-75**



Brake Chamber Mounting Angle 0°

Long Guide Sleeve

Guide Sleeve Centre Distance - 264 mm