



ANDAC

2023-1



ANDAC







1976 Yılında ağır vasıtalar için servis ve yedek parça temini ile kurumsal olarak hizmet vermeye başlayan firmamız, 2008 yılından itibaren havalı ve hidrolik fren kaliperleri için tamir takımları ve komponentleri üretiminde uzmanlaşmıştır.2020 yılında yaptığımız yatırımlar ile 14.000 m² alan üzerine kurulu yeni üretim, montaj ve test merkezimizin açılışı ile makine parkuruna, bilgiye ve nitelikli elemana yapılan sürekli yatırımlarımız, bize global piyasada kesintisiz bir büyüme sağlayarak yüksek ürün kalitesi, hızlı sevkiyat ve rekabet gücü ile elde edilen "Gerçek müşteri memnuniyeti" noktasında hedeflediğimiz performansa ulaştırmıştır.

Ürün çeşitlerimizi her geçen gün artırmamıza destek olan ve firmamızın gelişmesinde emeği geçen siz değerli müşterilerimize teşekkürü bir borç biliriz.



In 1976, we started to serve as an institution with the service and spare parts supply for heavy vehicles, since 2008 we have specialized in manufacturing repair kits and components for air and hydraulic brake calipers. With the investments we made in 2020, with the opening of our new production, assembly, and test center established on an area of 14.000 m², our continuous investments in machinery, knowledge, and qualified personnel, providing us with uninterrupted growth in the global market. "Real customer satisfaction", which is achieved with high product quality, fast shipping, and competitive power, has now become an invariable part of us.

We would like to thank you, our valued customers, who have supported us to increase our product range day by day and contributed to the development of our company.

En 1976 comenzamos a servir como institución con el servicio y suministro de repuestos para vehículos pesados. Desde 2008 nos hemos especializado en la fabricación de kits de reparación y componentes para pinzas de freno neumáticas e hidráulicas.

Gracias a las inversiones que comenzamos a introducir en 2020, comenzando con la inauguración de nuestro nuevo centro de producción, montaje y pruebas establecido en un área de 14.000m², hemos ido adquiriendo maquinaria, conocimiento y personal cualificado, lo que nos ha otorgado un crecimiento ininterrumpido en el mercado global.

"La satisfacción real del cliente", que se logra a través de la alta calidad del producto, la entrega inmediata y el poder competitivo. Todo ello se ha convertido en parte de nuestra esencia.

Nos gustaría agradecerles a ustedes, nuestros valiosos clientes, que nos hayan apoyado en el lanzamiento de las nuevas líneas de producto y que hayan contribuido al desarrollo continuo de nuestra compañía.

В 1976 году наша компания начала работать в сфере обслуживания и поставок запасных частей для большегрузных автомобилей. С 2008 года мы специализируемся на производстве ремонтных комплектов и компонентов для пневматических и гидравлических тормозных суппортов. В 2020 году был открыт наш новый производственный, сборочный и испытательный центр, расположенный на площади 14 000 м². Постоянные инвестиции в оборудование, знания и квалифицированный персонал обеспечивают компании непрерывный рост на мировом рынке. «Настоящая клиентская удовлетворенность», которая достигается за счет высокого качества продукции, быстрой доставки и конкурентоспособности, является нашей неизменной целью.

Мы хотели бы поблагодарить вас, наши уважаемые клиенты, поддерживающие нас в постоянном расширении ассортимента нашей продукции и за ваш вклад в развитие нашей компании.



KNORR BREMSE

9-212

| | |
|------------------------------------|---------|
| KNORR BREMSE SN5 - SB5 | 9-24 |
| KNORR BREMSE SB6 - SB7 | 25-86 |
| KNORR BREMSE SN6 - SN7 - SK7 | 87-138 |
| KNORR BREMSE ST6 | 139-152 |
| KNORR BREMSE SL7 - SM7 - ST7 | 153-172 |
| KNORR BREMSE BENDIX ADB22X ADB22XL | 173-192 |
| KNORR BREMSE INDICATOR CABLES | 193-196 |
| KNORR BREMSE CARRIERS | 197-212 |

MERITOR

213-416

| | |
|-----------------------------------|---------|
| MERITOR DX195 | 213-230 |
| MERITOR DX225 | 231-246 |
| MERTOR DX225-21 | 247-258 |
| MERITOR DUCO | 259-282 |
| MERITOR ELSA2 | 283-300 |
| MERITOR ELSA195 - ELSA225 - EX225 | 301-320 |
| MERITOR EX225+L | 321-330 |
| MERITOR ELSA 1 | 331-352 |
| MERITOR LISA | 353-366 |
| MERITOR D3 | 367-390 |
| MERITOR CARRIERS | 391-400 |
| MERITOR INDICATOR CABLES | 401-416 |

WABCO

417-538

| | |
|-------------------------|---------|
| WABCO PAN 17 | 417-436 |
| WABCO PAN 19-1 PAN 22-1 | 437-454 |
| WABCO PAN 19-2 PAN 22-2 | 455-464 |
| WABCO MAXX 17 | 465-474 |
| WABCO MAXX 19 | 475-486 |
| WABCO MAXX 22 MAN | 487-496 |
| WABCO MAXX 22 MB | 497-506 |
| WABCO MAXX 22 T | 507-514 |
| WABCO MAXXUS | 515-522 |
| WABCO 1000VG | 523-524 |
| WABCO CARRIERS | 525-538 |

ECODISC

539-550

| | |
|----------------------------|---------|
| ECODISC TSB 3709 4309 4313 | 539-550 |
|----------------------------|---------|

HALDEX

551-580

| | |
|----------------------|---------|
| HALDEX MARK III - IV | 551-554 |
| HALDEX MODUL X | 555-564 |
| HALDEX MODUL T | 565-576 |
| HALDEX CARRIERS | 577-580 |

Z-CAM

581-590

BENDIX ADB3700 ADB4300

591-594

IVECO BRAKE WEDGE

595-610

HYDRAULIC CALIPER

611-624



KNORR BREMSE
SN5-SB5





KNORR SN5-SB5

| | | |
|------------------------|---|-------------------|
| ANDAC No | 0810 10105 | |
| OE Reference No | | |
| Application | SB5 | |
| Description | Caliper Tappet Repair Kit (74mm) | |
| | Name | Qty. |
| 1 | K3T2 | 1 Tappet and Boot |
| 2 | B1 | 1 Bush |



| | | |
|------------------------|---|-------------------|
| ANDAC No | 0810 10106 | |
| OE Reference No | 11370760065 - A0004201382 | |
| Application | SB5 | |
| Description | Caliper Tappet Repair Kit (74mm) | |
| | Name | Qty. |
| 1 | K3T2 | 1 Tappet and Boot |
| 2 | K4 | 1 Boot |
| 3 | B1 | 1 Bush |



| | | |
|------------------------|--|-------------------|
| ANDAC No | 0810 10366 | |
| OE Reference No | 11370760065 - A0004201382 | |
| Application | SB5 | |
| Description | Caliper Tappet Repair Kit (74mm) (Black with Clamp) | |
| | Name | Qty. |
| 1 | K3T2 | 1 Tappet and Boot |
| 2 | K151 | 1 Boot |
| 3 | B1 | 1 Bush |



| | | |
|------------------------|--|-------------------|
| ANDAC No | 0810 10112 | |
| OE Reference No | K001929 - 81508226027 - 0004204282 - K146892K50 - K097826K50 - 9794200101 | |
| Application | SN5 | |
| Description | Caliper Tappet Repair Kit (69mm) | |
| | Name | Qty. |
| 1 | K1T124 | 1 Tappet and Boot |
| 2 | B1 | 1 Bush |





KNORR SN5-SB5

| | | | |
|------------------------|-------------|----------------------------------|-----------------|
| ANDAC No | | 0810 10113 | |
| OE Reference No | | | |
| Application | | SN5 | |
| Description | | Caliper Tappet Repair Kit (69mm) | |
| | Name | Qty. | |
| 1 | K1T124 | 1 | Tappet and Boot |
| 2 | K112 | 1 | Dust Cover |
| 3 | B1 | 1 | Bush |



| | | | |
|------------------------|-------------|--|-----------------|
| ANDAC No | | 0810 10478 | |
| OE Reference No | | A9704204001 - A9704203901 -A9794200202 - 9794200101 | |
| Application | | SN5 | |
| Description | | Caliper Tappet Repair Kit (74mm) | |
| | Name | Qty. | |
| 1 | K3T124 | 1 | Tappet and Boot |
| 2 | B1 | 1 | Bush |



| | | | |
|------------------------|-------------|-------------------|-------|
| ANDAC No | | 0810 10126 | |
| OE Reference No | | | |
| Application | | SN5 | |
| Description | | Caliper Lever | |
| | Name | Qty. | |
| 1 | T221 | 1 | Lever |



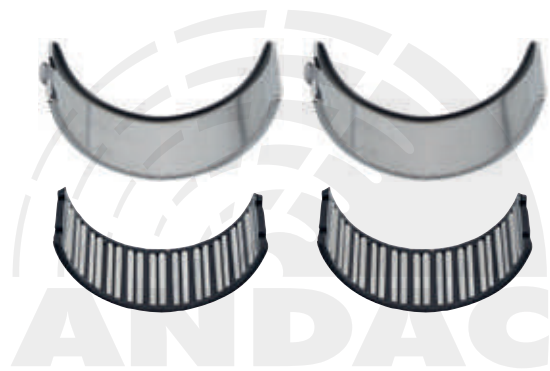
| | | | |
|------------------------|-------------|-------------------|-------|
| ANDAC No | | 0810 10127 | |
| OE Reference No | | | |
| Application | | SB5 | |
| Description | | Caliper Lever | |
| | Name | Qty. | |
| 1 | T222 | 1 | Lever |





KNORR SN5-SB5

| | | | |
|------------------------|-------------|------------------------|----------------|
| ANDAC No | | 0810 10128 | |
| OE Reference No | | | |
| Application | | SB5 | |
| Description | | Caliper Roller Bearing | |
| | Name | Qty. | |
| 1 | R14 | 2 | Roller Bearing |
| | | | |
| | | | |



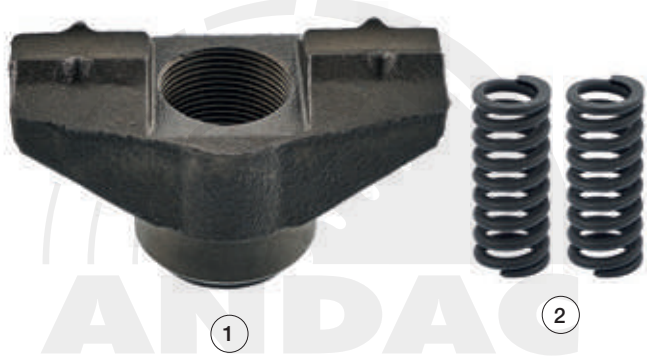
| | | | |
|------------------------|-------------|------------------------|----------------|
| ANDAC No | | 0810 10130 | |
| OE Reference No | | | |
| Application | | SN5 | |
| Description | | Caliper Roller Bearing | |
| | Name | Qty. | |
| 1 | R16 | 2 | Roller Bearing |
| | | | |
| | | | |



| | | | |
|------------------------|-------------|-------------------|--------|
| ANDAC No | | 0810 10143 | |
| OE Reference No | | | |
| Application | | SB5 | |
| Description | | Caliper Bridge | |
| | Name | Qty. | |
| 1 | T66 | 1 | Bridge |
| | | | |
| | | | |

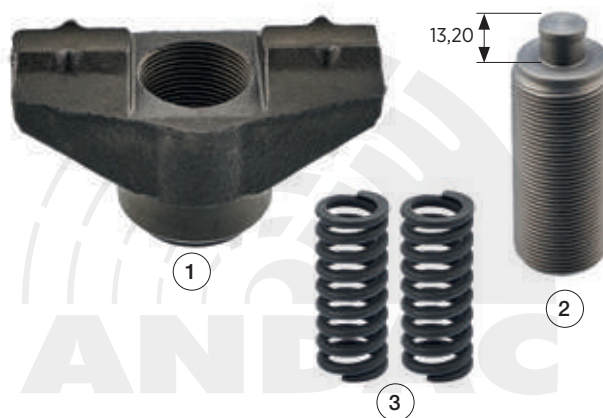


| | | | |
|------------------------|-------------|-------------------|--------|
| ANDAC No | | 0810 10144 | |
| OE Reference No | | | |
| Application | | SB5 | |
| Description | | Caliper Bridge | |
| | Name | Qty. | |
| 1 | T66 | 1 | Bridge |
| 2 | Y64 | 2 | Spring |
| | | | |
| | | | |



KNORR SN5-SB5

| | | | |
|------------------------|-------------------|-------------|---------------------------|
| ANDAC No | 0810 10343 | | |
| OE Reference No | | | |
| Application | SB5 | | |
| Description | Caliper Bridge | | |
| | Name | Qty. | |
| 1 | T66 | 1 | Bridge |
| 2 | T14 | 1 | Calibration Bolt 3 Thread |
| 3 | Y64 | 2 | Spring |



| | | | |
|------------------------|-------------------|-------------|--------|
| ANDAC No | 0810 10145 | | |
| OE Reference No | | | |
| Application | SN5 | | |
| Description | Caliper Bridge | | |
| | Name | Qty. | |
| 1 | T99 | 1 | Bridge |



| | | | |
|------------------------|-------------------|-------------|--------|
| ANDAC No | 0810 10146 | | |
| OE Reference No | | | |
| Application | SN5 | | |
| Description | Caliper Bridge | | |
| | Name | Qty. | |
| 1 | T99 | 1 | Bridge |
| 2 | Y64 | 2 | Spring |



| | | | |
|------------------------|-------------------|-------------|---------------------------|
| ANDAC No | 0810 10344 | | |
| OE Reference No | | | |
| Application | SN5 | | |
| Description | Caliper Bridge | | |
| | Name | Qty. | |
| 1 | T99 | 1 | Bridge |
| 2 | Y64 | 2 | Spring |
| 3 | T14 | 1 | Calibration Bolt 3 Thread |





KNORR SN5-SB5

| | | |
|------------------------|-----------------------------------|-------------|
| ANDAC No | 0810 10147 | |
| OE Reference No | | |
| Application | SB5 / SN5 | |
| Description | Caliper Calibration Bolt 3 Thread | |
| | Name | Qty. |
| 1 | T14 | 1 |
| | Calibration Bolt 3 Thread | |
| | | |
| | | |



| | | |
|------------------------|-----------------------------|-------------|
| ANDAC No | 0810 10150 | |
| OE Reference No | | |
| Application | SB5 / SN5 | |
| Description | Caliper Adjusting Mechanism | |
| | Name | Qty. |
| 1 | T123 | 1 |
| | Adjusting Mechanism | |
| 2 | T130 | 1 |
| | Mechanism Gear | |
| | | |
| | | |



| | | |
|------------------------|-----------------------------------|-------------|
| ANDAC No | 0810 10404 | |
| OE Reference No | | |
| Application | SN5 | |
| Description | Caliper Adjusting Mechanism (MAN) | |
| | Name | Qty. |
| 1 | T640 | 1 |
| | Adjusting Mechanism | |
| 2 | T130 | 1 |
| | Mechanism Gear | |
| | | |
| | | |



| | | |
|------------------------|----------------------|-------------|
| ANDAC No | 0810 10246 | |
| OE Reference No | | |
| Application | SN5 | |
| Description | Caliper Pinion Shaft | |
| | Name | Qty. |
| 1 | T245 | 5 |
| | Pinion Shaft | |
| 2 | T130 | 5 |
| | Mechanism Gear | |
| | | |
| | | |





KNORR SN5-SB5

| | | | |
|--------------------|------|----------------------|--------------|
| ANDAC No | | 0810 10247 | |
| OE Reference No | | | |
| Application | | SB5 | |
| Description | | Caliper Pinion Shaft | |
| | Name | Qty. | |
| 1 | T214 | 5 | Pinion Shaft |
| | | | |
| | | | |



| | | | |
|--------------------|------|------------------------|----------------|
| ANDAC No | | 0810 10238 | |
| OE Reference No | | | |
| Application | | SB5 | |
| Description | | Caliper Mechanism Gear | |
| | Name | Qty. | |
| 1 | T130 | 10 | Mechanism Gear |
| | | | |
| | | | |



| | | | |
|--------------------|------|-------------------|-------------------------|
| ANDAC No | | 0810 10155 | |
| OE Reference No | | | |
| Application | | SB5 | |
| Description | | Caliper Chain | |
| | Name | Qty. | |
| 1 | T210 | 1 | Caliper Chain (12 Link) |
| | | | |
| | | | |



| | | | |
|--------------------|------|-------------------|-------------------------|
| ANDAC No | | 0810 10156 | |
| OE Reference No | | | |
| Application | | SN5 | |
| Description | | Caliper Chain | |
| | Name | Qty. | |
| 1 | T119 | 1 | Caliper Chain (14 Link) |
| | | | |
| | | | |





KNORR SN5-SB5

| | | | |
|------------------------|-------------|--|--------------|
| ANDAC No | | 0810 10265 | |
| OE Reference No | | | |
| Application | | SB5 | |
| Description | | Caliper Sensor Cover (Without Sensor) | |
| | Name | Qty. | |
| 1 | P34 | 1 | Sensor Cover |
| | | | |
| | | | |



| | | | |
|------------------------|-------------|---|--------------|
| ANDAC No | | 0810 10266 | |
| OE Reference No | | | |
| Application | | SB5 | |
| Description | | Caliper Sensor Cover (3 Socket - 2 Cable) MB | |
| | Name | Qty. | |
| 1 | P35 | 1 | Sensor Cover |
| 2 | P41 | 1 | Sensor Pin |
| | | | |
| | | | |



| | | | |
|------------------------|-------------|---|--------------|
| ANDAC No | | 0810 10267 | |
| OE Reference No | | | |
| Application | | SB5 | |
| Description | | Caliper Sensor Cover (3 Socket - 3 Cable) MB | |
| | Name | Qty. | |
| 1 | P36 | 1 | Sensor Cover |
| 2 | P41 | 1 | Sensor Pin |
| | | | |
| | | | |



| | | | |
|------------------------|-------------|--|--------------|
| ANDAC No | | 0810 10379 | |
| OE Reference No | | | |
| Application | | SB5 | |
| Description | | Caliper Sensor Cover (3 Socket - 3 Cable) (MAN) | |
| | Name | Qty. | |
| 1 | P82 | 1 | Sensor Cover |
| 2 | P41 | 1 | Sensor Pin |
| | | | |
| | | | |





KNORR SN5-SB5

| | | | |
|--------------------|------|--|--------------|
| ANDAC No | | 0810 10268 | |
| OE Reference No | | | |
| Application | | SN5 | |
| Description | | Caliper Sensor Cover (Without Sensor) | |
| | Name | Qty. | |
| 1 | P37 | 1 | Sensor Cover |
| | | | |
| | | | |



| | | | |
|--------------------|------|--|--------------|
| ANDAC No | | 0810 10269 | |
| OE Reference No | | | |
| Application | | SN5 | |
| Description | | Caliper Sensor Cover (3 Socket - 2 Cable) | |
| | Name | Qty. | |
| 1 | P38 | 1 | Sensor Cover |
| 2 | P3 | 1 | Clip |
| | | | |
| | | | |



| | | | |
|--------------------|------|---|--------------|
| ANDAC No | | 0810 10270 | |
| OE Reference No | | | |
| Application | | SN5 | |
| Description | | Caliper Sensor Cover (3 Socket - 3 Cable) MB | |
| | Name | Qty. | |
| 1 | P39 | 1 | Sensor Cover |
| 2 | P3 | 1 | Clip |
| | | | |
| | | | |



| | | | |
|--------------------|------|--|--------------|
| ANDAC No | | 0810 10381 | |
| OE Reference No | | | |
| Application | | SN5 | |
| Description | | Caliper Sensor Cover (3 Socket - 3 Cable) (MAN) | |
| | Name | Qty. | |
| 1 | P83 | 1 | Sensor Cover |
| 2 | P3 | 1 | Clip |
| | | | |
| | | | |





KNORR SN5-SB5

| | | | |
|------------------------|-------------|----------------------------|------|
| ANDAC No | | 0810 10253 | |
| OE Reference No | | | |
| Application | | SB5 | |
| Description | | Caliper Sensor Clip | |
| | Name | Qty. | |
| 1 | P3 | 5 | Clip |
| | | | |
| | | | |



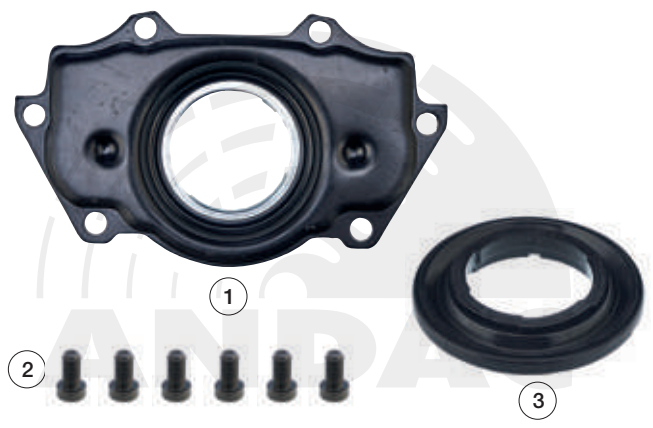
| | | | |
|------------------------|-------------|-----------------------------------|--------------------|
| ANDAC No | | 0810 10321 | |
| OE Reference No | | | |
| Application | | SN5 | |
| Description | | Caliper Sensor Pin (Short) | |
| | Name | Qty. | |
| 1 | P41 | 5 | Sensor Pin (Short) |
| | | | |
| | | | |



| | | | |
|------------------------|-------------|----------------------|-------------|
| ANDAC No | | 0810 10167 | |
| OE Reference No | | | |
| Application | | SN5 | |
| Description | | Caliper Cover | |
| | Name | Qty. | |
| 1 | S75 | 1 | Cover |
| 2 | C7 | 6 | Cover Screw |
| | | | |
| | | | |



| | | | |
|------------------------|-------------|----------------------|-------------|
| ANDAC No | | 0810 10271 | |
| OE Reference No | | | |
| Application | | SN5 | |
| Description | | Caliper Cover | |
| | Name | Qty. | |
| 1 | S75 | 1 | Cover |
| 2 | C7 | 6 | Cover Screw |
| 3 | K112 | 1 | Dust Cover |
| | | | |
| | | | |





KNORR SN5-SB5

| | |
|------------------------|-------------------|
| ANDAC No | 0810 10272 |
| OE Reference No | |
| Application | SN5 |
| Description | Caliper Seal |
| Name | Qty. |
| 1 K112 | 1 Dust Cover |



| | |
|------------------------|---|
| ANDAC No | 0810 10172 |
| OE Reference No | 11328090062 - 11339680062 - 11369100062 - 0004200782 - 0004201282 - 81508226009 1390427 - 1448915 - 93162048 - 0501211763 |
| Application | SB5 |
| Description | Caliper Repair Kit |
| Name | Qty. |
| 1 T5 | 1 Guide Pin Ø36x145mm |
| 2 C1 | 1 Screw M16x1,5x150mm |
| 3 T6 | 1 Guide Pin Ø34x80mm |
| 4 C2 | 1 Screw M16x1,5x87mm |
| 5 K11 | 1 Rubber Bush |
| 6 K9 | 1 Boot |
| 7 P1 | 1 Teflon Ring |
| 8 K10 | 1 Boot |
| 9 S21 | 1 Clamp |
| 10 B2 | 1 Bush |



| | |
|------------------------|-----------------------|
| ANDAC No | 0810 10174 |
| OE Reference No | K000935 |
| Application | SB5 |
| Description | Caliper Repair Kit |
| Name | Qty. |
| 1 T5 | 1 Guide Pin Ø36x145mm |
| 2 C1 | 1 Screw M16x1,5x150mm |
| 3 K9 | 1 Boot |
| 4 P1 | 1 Teflon Ring |
| 5 K10 | 1 Boot |
| 6 S21 | 1 Clamp |
| 7 B2 | 1 Bush |





KNORR SN5-SB5

| | | | |
|------------------------|-------------|-----------------------|---------------------|
| ANDAC No | | 0810 10188 | |
| OE Reference No | | K001928 - 81508226026 | |
| Application | | SN5 | |
| Description | | Caliper Repair Kit | |
| | Name | Qty. | |
| 1 | T199 | 1 | Guide Pin Ø30x99mm |
| 2 | C44 | 1 | Screw M16x1,5x105mm |
| 3 | T198 | 1 | Guide Pin Ø30x72mm |
| 4 | C43 | 1 | Screw M16x1,5x75mm |
| 5 | B34 | 1 | Bush |
| 6 | B35 | 1 | Bush |
| 7 | K14 | 2 | Boot |
| 8 | P12 | 2 | Ring |
| 9 | S60 | 2 | Metal Tap |



| | | | |
|------------------------|-------------|--------------------|------------------------|
| ANDAC No | | 0810 10213 | |
| OE Reference No | | | |
| Application | | SN5 | |
| Description | | Caliper Repair Kit | |
| | Name | Qty. | |
| 1 | K1T124 | 1 | Tappet and Boot (69mm) |
| 2 | K112 | 1 | Dust Cover |
| 3 | B1 | 1 | Bush |
| 4 | K10 | 1 | Boot |
| 5 | K11 | 1 | Rubber Bush |
| 6 | S21 | 1 | Clamp |
| 7 | K9 | 1 | Boot |
| 8 | P1 | 1 | Teflon Ring |



| | | | |
|------------------------|-------------|-------------------------------------|--------------------|
| ANDAC No | | 0810 10186 | |
| OE Reference No | | I1368470064 - I1339830064 - 1448910 | |
| Application | | SB5 | |
| Description | | Caliper Repair Kit | |
| | Name | Qty. | |
| 1 | T6 | 1 | Guide Pin Ø34x80mm |
| 2 | C2 | 1 | Screw M16x1,5x87mm |
| 3 | K11 | 1 | Rubber Bush |





KNORR SN5-SB5

| | | | |
|------------------------|-------------|--------------------|--------------------|
| ANDAC No | | 0810 10187 | |
| OE Reference No | | | |
| Application | | SB5 | |
| Description | | Caliper Repair Kit | |
| | Name | Qty. | |
| 1 | T6 | 1 | Guide Pin Ø34x80mm |
| 2 | K11 | 1 | Rubber Bush |



| | | | |
|------------------------|-------------|------------------------|--------------------|
| ANDAC No | | 0810 10241 | |
| OE Reference No | | | |
| Application | | SB5 | |
| Description | | Cap and Tap Repair Kit | |
| | Name | Qty. | |
| 1 | K12 | 1 | Rubber Cap (Ø38mm) |
| 2 | K13 | 1 | Rubber Cap (Ø35mm) |
| 3 | K15 | 1 | Rubber Tap |
| 4 | T20 | 1 | Calibration Loaf |



| | | | |
|------------------------|-------------|--------------------|-------------|
| ANDAC No | | 0810 10242 | |
| OE Reference No | | 11350470061 | |
| Application | | SB5 | |
| Description | | Caliper Repair Kit | |
| | Name | Qty. | |
| 1 | K9 | 1 | Boot |
| 2 | P1 | 1 | Teflon Ring |
| 3 | K10 | 1 | Boot |
| 4 | S21 | 1 | Clamp |



| | | | |
|------------------------|-------------|--|-------------|
| ANDAC No | | 0810 10244 | |
| OE Reference No | | 1448600 - 1415149 - 1527631 - 1477675 - 0980106330 - 42541412 - Z004357 | |
| Application | | SB5 | |
| Description | | Caliper Repair Kit | |
| | Name | Qty. | |
| 1 | K9 | 1 | Boot |
| 2 | P1 | 1 | Teflon Ring |





KNORR SN5-SB5

| | | | |
|------------------------|-------------|--------------------|------------|
| ANDAC No | | 0810 10248 | |
| OE Reference No | | | |
| Application | | SB5 | |
| Description | | Caliper Repair Kit | |
| | Name | Qty. | |
| 1 | K77 | 5 | Dust Cover |
| | | | |
| | | | |



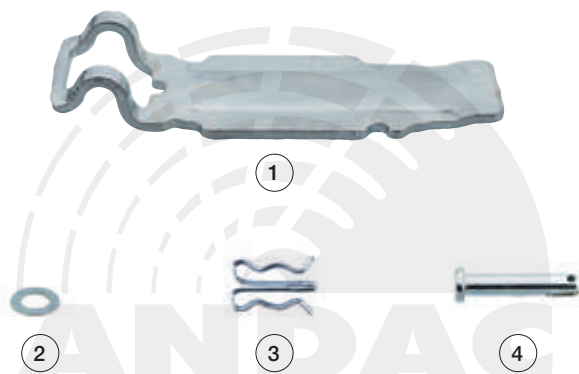
| | | | |
|------------------------|-------------|-------------------------------------|--------------------|
| ANDAC No | | 0810 10234 | |
| OE Reference No | | K003902 - 802643 - 3434381600 | |
| Application | | SN5 | |
| Description | | Caliper Adjusting Mechanism Cap Set | |
| | Name | Qty. | |
| 1 | K13 | 10 | Rubber Cap (Ø35mm) |
| 2 | T20 | 10 | Calibration Loaf |
| | | | |
| | | | |



| | | | |
|------------------------|-------------|----------------------------|-----------|
| ANDAC No | | 0810 10374 | |
| OE Reference No | | | |
| Application | | SB5 / SN5 | |
| Description | | Caliper Pin Protection Cap | |
| | Name | Qty. | |
| 1 | P76 | 5 | Pin Cover |
| | | | |
| | | | |



| | | | |
|------------------------|-------------|---------------------------------|---------------------|
| ANDAC No | | 0810 10311 | |
| OE Reference No | | K000133 | |
| Application | | SN5 | |
| Description | | Caliper Pad Retainer Repair Kit | |
| | Name | Qty. | |
| 1 | S92 | 1 | Pad Retainer (25mm) |
| 2 | S18 | 1 | Washer |
| 3 | S19 | 1 | Cotter Pin |
| 4 | T9 | 1 | Detent Pin |
| | | | |
| | | | |



KNORR SN5-SB5

| ANDAC No | | 0810 10285 | |
|-----------------|------|---------------------------|--|
| OE Reference No | | | |
| Application | | SN5 | |
| Description | | Caliper Repair Kit | |
| Name | Qty. | | |
| 1 T221 | 1 | Lever | |
| 2 T199 | 1 | Guide Pin Ø30x99mm | |
| 3 C44 | 1 | Screw M16x1.5x105mm | |
| 4 T198 | 1 | Guide Pin Ø30x72mm | |
| 5 C43 | 1 | Screw M16x1.5x72mm | |
| 6 B34 | 1 | Bush | |
| 7 B35 | 1 | Bush | |
| 8 K14 | 2 | Boot | |
| 9 P12 | 2 | Ring | |
| 10 S60 | 2 | Metal Tap | |
| 11 KIT124 | 1 | Tappet and Boot (69mm) | |
| 12 K112 | 1 | Dust Cover | |
| 13 B1 | 1 | Bush | |
| 14 T123 | 1 | Adjusting Mechanism | |
| 15 T130 | 2 | Mechanism Gear | |
| 16 T245 | 1 | Pinion Shaft | |
| 17 T14 | 1 | Calibration Bolt 3 Thread | |
| 18 R16 | 2 | Roller Bearing | |
| 19 T119 | 1 | Caliper Chain 14 Link | |
| 20 S75 | 1 | Cover | |
| 21 C7 | 6 | Cover Screw | |
| 22 T99 | 1 | Bridge | |
| 23 Y64 | 2 | Spring | |



| ANDAC No | | 0810 10286 | |
|-----------------|------|---------------------------|--|
| OE Reference No | | | |
| Application | | SN5 | |
| Description | | Caliper Repair Kit | |
| Name | Qty. | | |
| 1 T221 | 1 | Lever | |
| 2 KIT124 | 1 | Tappet and Boot (69mm) | |
| 3 K112 | 1 | Dust Cover | |
| 4 B1 | 1 | Bush | |
| 5 T123 | 1 | Adjusting Mechanism | |
| 6 T130 | 2 | Mechanism Gear | |
| 7 T245 | 1 | Pinion Shaft | |
| 8 T14 | 1 | Calibration Bolt 3 Thread | |
| 9 R16 | 2 | Roller Bearing | |
| 10 T119 | 1 | Caliper Chain 14 Link | |
| 11 S75 | 1 | Cover | |
| 12 C7 | 6 | Cover Screw | |
| 13 T99 | 1 | Bridge | |
| 14 Y64 | 2 | Spring | |





KNORR SN5-SB5

ANDAC No 0810 10287

| | |
|------------------------|---------------------------|
| OE Reference No | |
| Application | SB5 |
| Description | Caliper Repair Kit |

| Name | Qty. | |
|---------|------|---------------------------|
| 1 T222 | 1 | Lever |
| 2 T5 | 1 | Guide Pin Ø36x145mm |
| 3 C1 | 1 | Screw M16x1.5x150mm |
| 4 T6 | 1 | Guide Pin Ø34x80mm |
| 5 C2 | 1 | Screw M16x1.5x87mm |
| 6 K11 | 1 | Rubber Bush |
| 7 K9 | 1 | Boot |
| 8 P1 | 1 | Teflon Ring |
| 9 K10 | 1 | Boot |
| 10 S21 | 1 | Clamp |
| 11 B2 | 1 | Bush |
| 12 T123 | 1 | Adjusting Mechanism |
| 13 T130 | 1 | Mechanism Gear |
| 14 T14 | 1 | Calibration Bolt 3 Thread |
| 15 T214 | 1 | Pinion Shaft |
| 16 T210 | 1 | Caliper Chain 12 Link |
| 17 K3T2 | 1 | Tappet and Boot (74mm) |
| 18 K4 | 1 | Dust Cover |
| 19 B1 | 1 | Bush |
| 20 R14 | 2 | Roller Bearing |
| 21 T66 | 1 | Bridge |
| 22 Y64 | 2 | Spring |



ANDAC No 0810 10288

| | |
|------------------------|---------------------------|
| OE Reference No | |
| Application | SB5 |
| Description | Caliper Repair Kit |

| Name | Qty. | |
|--------|------|---------------------------|
| 1 T222 | 1 | Lever |
| 2 T123 | 1 | Adjusting Mechanism |
| 3 T130 | 1 | Mechanism Gear |
| 4 T14 | 1 | Calibration Bolt 3 Thread |
| 5 T214 | 1 | Pinion Shaft |
| 6 T210 | 1 | Caliper Chain 12 Link |
| 7 K3T2 | 1 | Tappet and Boot (74mm) |
| 8 K4 | 1 | Dust Cover |
| 9 B1 | 1 | Bush |
| 10 R14 | 2 | Roller Bearing |
| 11 T66 | 1 | Bridge |
| 12 Y64 | 2 | Spring |



KNORR BREMSE
SB6-SB7



KNORR SB6-SB7

| | | | |
|------------------------|----------------------------------|-------------|-----------------|
| ANDAC No | 0810 10106 | | |
| OE Reference No | II370760065 - A0004201382 | | |
| Application | SB6 / SB7 | | |
| Description | Caliper Tappet Repair Kit (74mm) | | |
| | Name | Qty. | |
| 1 | K3T2 | 1 | Tappet and Boot |
| 2 | K4 | 1 | Dust Cover |
| 3 | B1 | 1 | Bush |



| | | | |
|------------------------|--|-------------|-----------------|
| ANDAC No | 0810 10366 | | |
| OE Reference No | II370760065 - A0004201382 | | |
| Application | SB6 / SB7 | | |
| Description | Caliper Tappet Repair Kit (74mm) (Black with Clamp) | | |
| | Name | Qty. | |
| 1 | K3T2 | 1 | Tappet and Boot |
| 2 | K151 | 1 | Dust Cover |
| 3 | B1 | 1 | Bush |



| | | | |
|------------------------|--|-------------|-----------------|
| ANDAC No | 0810 10107 | | |
| OE Reference No | K000944 - K010604 - 81508226032 - 1759811 - 3434380400 - 1448913 - K010606 | | |
| Application | SB6 / SB7 | | |
| Description | Caliper Tappet Repair Kit (74mm) | | |
| | Name | Qty. | |
| 1 | K3T2 | 2 | Tappet and Boot |
| 2 | K4 | 2 | Dust Cover |
| 3 | B1 | 2 | Bush |



| | | | |
|------------------------|--|-------------|-----------------|
| ANDAC No | 0810 10367 | | |
| OE Reference No | K000944 - K010604 - 81508226032 - 1759811 - 3434380400 - 1448913 - K010606 | | |
| Application | SB6 / SB7 | | |
| Description | Caliper Tappet Repair Kit (74mm) (Black with Clamp) | | |
| | Name | Qty. | |
| 1 | K3T2 | 2 | Tappet and Boot |
| 2 | K151 | 2 | Dust Cover |
| 3 | B1 | 2 | Bush |



KNORR SB6-SB7

| | | | |
|------------------------|--|-------------|-----------------|
| ANDAC No | 0810 10108 | | |
| OE Reference No | 11304130065 - 0004200682 - 81508226007 - 0004204248 | | |
| Application | SB6 / SB7 | | |
| Description | Caliper Tappet Repair Kit (74mm) | | |
| | Name | Qty. | |
| 1 | K3T2 | 2 | Tappet and Boot |
| 2 | B1 | 2 | Bush |



| | | | |
|------------------------|-------------------|-------------|-------|
| ANDAC No | 0810 10114 | | |
| OE Reference No | | | |
| Application | SB7 Radial | | |
| Description | Caliper Lever | | |
| | Name | Qty. | |
| 1 | T52 | 1 | Lever |



| | | | |
|------------------------|-------------------|-------------|-------|
| ANDAC No | 0810 10115 | | |
| OE Reference No | | | |
| Application | SB7 | | |
| Description | Caliper Lever | | |
| | Name | Qty. | |
| 1 | T18 | 1 | Lever |



| | | | |
|------------------------|-------------------|-------------|-------|
| ANDAC No | 0810 10375 | | |
| OE Reference No | | | |
| Application | SB7 | | |
| Description | Caliper Lever | | |
| | Name | Qty. | |
| 1 | T711 | 1 | Lever |



KNORR SB6-SB7

| | | | |
|------------------------|-------------|-------------------|-------|
| ANDAC No | | 0810 10121 | |
| OE Reference No | | | |
| Application | | SB6 | |
| Description | | Caliper Lever | |
| | Name | Qty. | |
| 1 | T17 | 1 | Lever |
| | | | |
| | | | |



| | | | |
|------------------------|-------------|-------------------|-------|
| ANDAC No | | 0810 10122 | |
| OE Reference No | | | |
| Application | | SB7 | |
| Description | | Caliper Lever | |
| | Name | Qty. | |
| 1 | T16 | 1 | Lever |
| | | | |
| | | | |



| | | | |
|------------------------|-------------|-------------------|-------|
| ANDAC No | | 0810 10123 | |
| OE Reference No | | | |
| Application | | SB7 | |
| Description | | Caliper Lever | |
| | Name | Qty. | |
| 1 | T217 | 1 | Lever |
| | | | |
| | | | |



| | | | |
|------------------------|-------------|-------------------|-------|
| ANDAC No | | 0810 10124 | |
| OE Reference No | | | |
| Application | | SB7 | |
| Description | | Caliper Lever | |
| | Name | Qty. | |
| 1 | T218 | 1 | Lever |
| | | | |
| | | | |



KNORR SB6-SB7

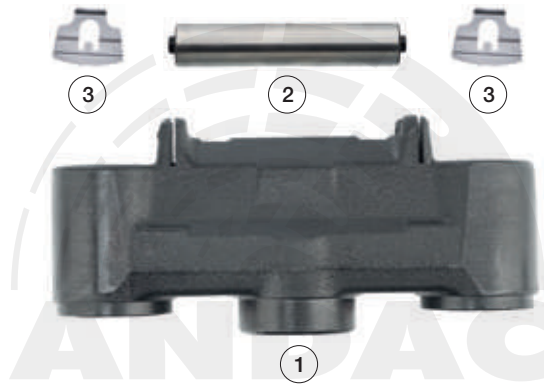
| | | | |
|--------------------|------|------------------------|----------------|
| ANDAC No | | 0810 10128 | |
| OE Reference No | | | |
| Application | | SB6 / SB7 | |
| Description | | Caliper Roller Bearing | |
| | Name | Qty. | |
| 1 | R14 | 2 | Roller Bearing |
| | | | |
| | | | |



| | | | |
|--------------------|------|------------------------|----------------|
| ANDAC No | | 0810 10129 | |
| OE Reference No | | | |
| Application | | SB6 / SB7 | |
| Description | | Caliper Roller Bearing | |
| | Name | Qty. | |
| 1 | R15 | 2 | Roller Bearing |
| | | | |
| | | | |



| | | | |
|--------------------|------|-------------------|-------------|
| ANDAC No | | 0810 10135 | |
| OE Reference No | | | |
| Application | | SB6 / SB7 | |
| Description | | Caliper Bridge | |
| | Name | Qty. | |
| 1 | T12 | 1 | Bridge |
| 2 | T200 | 1 | Lever Pin |
| 3 | S61 | 2 | Metal Sheet |
| | | | |
| | | | |



| | | | |
|--------------------|------|-------------------|-------------|
| ANDAC No | | 0810 10136 | |
| OE Reference No | | | |
| Application | | SB6 / SB7 | |
| Description | | Caliper Bridge | |
| | Name | Qty. | |
| 1 | T12 | 1 | Bridge |
| 2 | T200 | 1 | Lever Pin |
| 3 | S61 | 2 | Metal Sheet |
| 4 | Y3 | 1 | Spring |
| | | | |
| | | | |

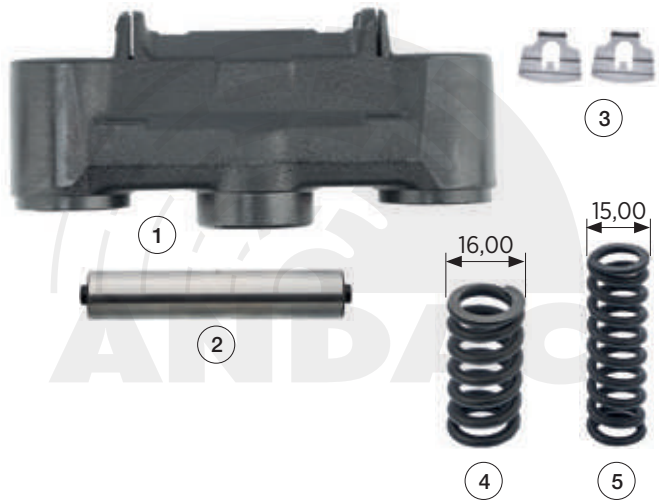


KNORR SB6-SB7

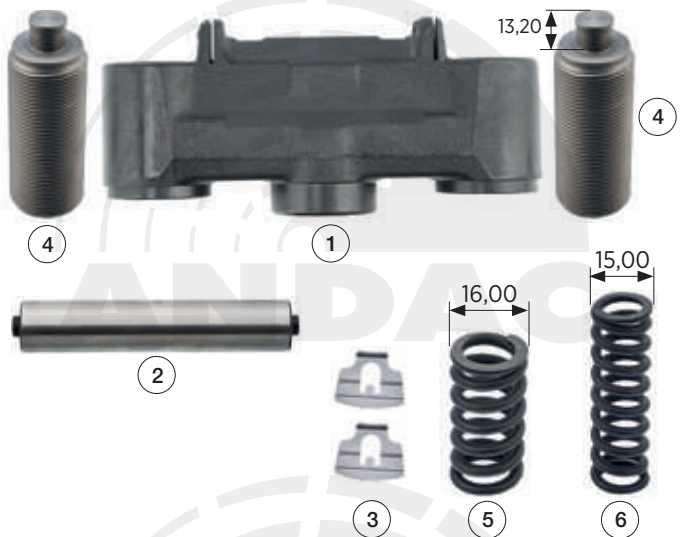
| | | | |
|------------------------|--------------------------------|-------------|---------------------------|
| ANDAC No | 0810 10137 | | |
| OE Reference No | | | |
| Application | SB6 / SB7 | | |
| Description | Caliper Bridge Assembly | | |
| | Name | Qty. | |
| 1 | T12 | 1 | Bridge |
| 2 | T200 | 1 | Lever Pin |
| 3 | S61 | 2 | Metal Sheet |
| 4 | T14 | 2 | Calibration Bolt 3 Thread |
| 5 | Y3 | 1 | Spring |



| | | | |
|------------------------|--------------------------------|-------------|-------------|
| ANDAC No | 0810 10138 | | |
| OE Reference No | | | |
| Application | SB7 | | |
| Description | Caliper Bridge Assembly | | |
| | Name | Qty. | |
| 1 | T12 | 1 | Bridge |
| 2 | T200 | 1 | Lever Pin |
| 3 | S61 | 2 | Metal Sheet |
| 4 | Y35 | 1 | Spring |
| 5 | Y36 | 1 | Spring |



| | | | |
|------------------------|--------------------------------|-------------|---------------------------|
| ANDAC No | 0810 10139 | | |
| OE Reference No | | | |
| Application | SB7 | | |
| Description | Caliper Bridge Assembly | | |
| | Name | Qty. | |
| 1 | T12 | 1 | Bridge |
| 2 | T200 | 1 | Lever Pin |
| 3 | S61 | 2 | Metal Sheet |
| 4 | T14 | 2 | Calibration Bolt 3 Thread |
| 5 | Y35 | 1 | Spring |
| 6 | Y36 | 1 | Spring |



| | | | |
|------------------------|--------------------------------|-------------|--------|
| ANDAC No | 0810 10140 | | |
| OE Reference No | | | |
| Application | SB7 | | |
| Description | Caliper Bridge Assembly | | |
| | Name | Qty. | |
| 1 | T13 | 1 | Bridge |



KNORR SB6-SB7

| | | | |
|-----------------|------|-------------------|--------|
| ANDAC No | | 0810 10141 | |
| OE Reference No | | | |
| Application | | SB7 | |
| Description | | Caliper Bridge | |
| | Name | Qty. | |
| 1 | T13 | 1 | Bridge |
| 2 | Y3 | 1 | Spring |



| | | | |
|-----------------|------|-------------------------|---------------------------|
| ANDAC No | | 0810 10142 | |
| OE Reference No | | | |
| Application | | SB7 | |
| Description | | Caliper Bridge Assembly | |
| | Name | Qty. | |
| 1 | T13 | 1 | Bridge |
| 2 | T14 | 2 | Calibration Bolt 3 Thread |
| 3 | Y3 | 1 | Spring |



| | | | |
|-----------------|------|-----------------------------------|---------------------------|
| ANDAC No | | 0810 10147 | |
| OE Reference No | | | |
| Application | | SB6 / SB7 | |
| Description | | Caliper Calibration Bolt 3 Thread | |
| | Name | Qty. | |
| 1 | T14 | 1 | Calibration Bolt 3 Thread |



| | | | |
|-----------------|------|-----------------------------|---------------------|
| ANDAC No | | 0810 10149 | |
| OE Reference No | | | |
| Application | | SB6 / SB7 | |
| Description | | Caliper Adjusting Mechanism | |
| | Name | Qty. | |
| 1 | T120 | 1 | Adjusting Mechanism |
| 2 | T130 | 1 | Mechanism Gear |



KNORR SB6-SB7

| | | |
|------------------------|-----------------------------|-------------|
| ANDAC No | 0810 10345 | |
| OE Reference No | | |
| Application | SB6 / SB7 | |
| Description | Caliper Adjusting Mechanism | |
| | Name | Qty. |
| 1 | T386 | 1 |
| 2 | T130 | 1 |
| 3 | T20 | 1 |



| | | |
|------------------------|-----------------------------|-------------|
| ANDAC No | 0810 10151 | |
| OE Reference No | | |
| Application | SB6 / SB7 | |
| Description | Caliper Adjusting Mechanism | |
| | Name | Qty. |
| 1 | T121 | 1 |



| | | |
|------------------------|-----------------------------|-------------|
| ANDAC No | 0810 10256 | |
| OE Reference No | | |
| Application | SB6 / SB7 | |
| Description | Caliper Adjusting Mechanism | |
| | Name | Qty. |
| 1 | T50 | 1 |



| | | |
|------------------------|-----------------------------|-------------|
| ANDAC No | 0810 10261 | |
| OE Reference No | | |
| Application | SB6 / SB7 | |
| Description | Caliper Adjusting Mechanism | |
| | Name | Qty. |
| 1 | T269 | 1 |



KNORR SB6-SB7

| | | | |
|--------------------|------|-----------------------------|---------------------|
| ANDAC No | | 0810 10152 | |
| OE Reference No | | | |
| Application | | SB6 / SB7 | |
| Description | | Caliper Adjusting Mechanism | |
| | Name | Qty. | |
| 1 | T122 | 1 | Adjusting Mechanism |
| | | | |
| | | | |



| | | | |
|--------------------|------|-----------------------------|---------------------|
| ANDAC No | | 0810 10153 | |
| OE Reference No | | | |
| Application | | SB6 / SB7 | |
| Description | | Caliper Adjusting Mechanism | |
| | Name | Qty. | |
| 1 | T208 | 1 | Adjusting Mechanism |
| | | | |
| | | | |



| | | | |
|--------------------|------|-----------------------------|---------------------|
| ANDAC No | | 0810 10154 | |
| OE Reference No | | | |
| Application | | SB6 / SB7 | |
| Description | | Caliper Adjusting Mechanism | |
| | Name | Qty. | |
| 1 | T209 | 1 | Adjusting Mechanism |
| 2 | T130 | 1 | Mechanism Gear |
| | | | |
| | | | |



| | | | |
|--------------------|------|-----------------------------|----------------|
| ANDAC No | | 0810 10238 | |
| OE Reference No | | | |
| Application | | SB6 / SB7 | |
| Description | | Caliper Adjusting Mechanism | |
| | Name | Qty. | |
| 1 | T130 | 10 | Mechanism Gear |
| | | | |
| | | | |



KNORR SB6-SB7

| | | | |
|------------------------|-------------|------------------------------|------------------|
| ANDAC No | | 0810 10239 | |
| OE Reference No | | Z001548 - 802455 - S-29152-5 | |
| Application | | SB6 / SB7 | |
| Description | | Caliper Calibration Loaf | |
| | Name | Qty. | |
| 1 | T20 | 10 | Calibration Loaf |
| | | | |
| | | | |



| | | | |
|------------------------|-------------|-------------------|-----------------------|
| ANDAC No | | 0810 10157 | |
| OE Reference No | | | |
| Application | | SB6 / SB7 | |
| Description | | Caliper Chain | |
| | Name | Qty. | |
| 1 | T118 | 1 | Caliper Chain 29 Link |
| | | | |
| | | | |



| | | | |
|------------------------|-------------|--|--------------|
| ANDAC No | | 0810 10158 | |
| OE Reference No | | | |
| Application | | SB6 / SB7 | |
| Description | | Caliper Sensor Cover (Without Sensor) (Open) | |
| | Name | Qty. | |
| 1 | P14 | 1 | Sensor Cover |
| | | | |
| | | | |



| | | | |
|------------------------|-------------|---|-------------------------------|
| ANDAC No | | 0810 10384 | |
| OE Reference No | | | |
| Application | | SB6 / SB7 | |
| Description | | Caliper Sensor Cover (Without Sensor) New Version | |
| | Name | Qty. | |
| 1 | P85 | 1 | Sensor Cover (Without Sensor) |
| | | | |
| | | | |



KNORR SB6-SB7

| | | | |
|--------------------|------|--|-------------------------------|
| ANDAC No | | 0810 10293 | |
| OE Reference No | | | |
| Application | | SB6 / SB7 | |
| Description | | Caliper Sensor Cover (Without Sensor) (Plugged) | |
| | Name | Qty. | |
| 1 | P29 | 1 | Sensor Cover (Without Sensor) |
| | | | |
| | | | |



| | | | |
|--------------------|------|-----------------------------|-------------------|
| ANDAC No | | 0810 10359 | |
| OE Reference No | | | |
| Application | | SB6 / SB7 | |
| Description | | Caliper Sensor Cover (Flat) | |
| | Name | Qty. | |
| 1 | P71 | 1 | Sensor Flat Cover |
| | | | |
| | | | |



| | | | |
|--------------------|------|-----------------------------|-------------------|
| ANDAC No | | 0810 10429 | |
| OE Reference No | | | |
| Application | | SN6 / SN7 / SK7 | |
| Description | | Caliper Sensor Cover (Flat) | |
| | Name | Qty. | |
| 1 | P99 | 1 | Sensor Flat Cover |
| | | | |
| | | | |



| | | | |
|--------------------|------|---|--------------|
| ANDAC No | | 0810 10159 | |
| OE Reference No | | | |
| Application | | SB6 / SB7 | |
| Description | | Caliper Sensor Cover (3 Socket - 2 Cable) | |
| | Name | Qty. | |
| 1 | P2 | 1 | Sensor Cover |
| 2 | P3 | 1 | Clip |
| | | | |
| | | | |



KNORR SB6-SB7

| | | | |
|------------------------|-------------|--|--------------|
| ANDAC No | | 0810 10385 | |
| OE Reference No | | | |
| Application | | SB6 | |
| Description | | Caliper Sensor Cover (3 Socket - 2 Cable) New Version | |
| | Name | Qty. | |
| 1 | P86 | 1 | Sensor Cover |
| 2 | P3 | 1 | Clip |



| | | | |
|------------------------|-------------|---|--------------|
| ANDAC No | | 0810 10160 | |
| OE Reference No | | | |
| Application | | SB6 / SB7 | |
| Description | | Caliper Sensor Cover (3 Socket - 3 Cable) (Mercedes) | |
| | Name | Qty. | |
| 1 | P23 | 1 | Sensor Cover |
| 2 | P3 | 1 | Clip |



| | | | |
|------------------------|-------------|---|--------------|
| ANDAC No | | 0810 10386 | |
| OE Reference No | | | |
| Application | | SB6 / SB7 | |
| Description | | Caliper Sensor Cover (3 Socket - 3 Cable) New Version Mercedes | |
| | Name | Qty. | |
| 1 | P87 | 1 | Sensor Cover |
| 2 | P3 | 1 | Clip |



| | | | |
|------------------------|-------------|--|--------------|
| ANDAC No | | 0810 10161 | |
| OE Reference No | | | |
| Application | | SB6 / SB7 | |
| Description | | Caliper Sensor Cover (3 Socket - 3 Cable) (MAN) | |
| | Name | Qty. | |
| 1 | P15 | 1 | Sensor Cover |
| 2 | P3 | 1 | Clip |



KNORR SB6-SB7

| | | | |
|--------------------|------|--|--------------|
| ANDAC No | | 0810 10387 | |
| OE Reference No | | | |
| Application | | SB6 | |
| Description | | Caliper Sensor Cover (3 Socket - 3 Cable) New Version MAN | |
| | Name | Qty. | |
| 1 | P88 | 1 | Sensor Cover |
| 2 | P3 | 1 | Clip |



| | | | |
|--------------------|------|---------------------------------------|--------------|
| ANDAC No | | 0810 10262 | |
| OE Reference No | | | |
| Application | | SB7 | |
| Description | | Caliper Sensor Cover (Without Sensor) | |
| | Name | Qty. | |
| 1 | P32 | 1 | Sensor Cover |



| | | | |
|--------------------|------|--|--------------|
| ANDAC No | | 0810 10388 | |
| OE Reference No | | | |
| Application | | SB7 | |
| Description | | Caliper Sensor Cover (Without Sensor) New Version | |
| | Name | Qty. | |
| 1 | P89 | 1 | Sensor Cover |



| | | | |
|--------------------|------|---|--------------|
| ANDAC No | | 0810 10263 | |
| OE Reference No | | | |
| Application | | SB7 | |
| Description | | Caliper Sensor Cover (3 Socket - 2 Cable) | |
| | Name | Qty. | |
| 1 | P31 | 1 | Sensor Cover |
| 2 | P3 | 1 | Clip |



KNORR SB6-SB7

| | | | |
|------------------------|-------------|---|--------------|
| ANDAC No | | 0810 10389 | |
| OE Reference No | | | |
| Application | | SB7 | |
| Description | | Caliper Sensor Cover (3 Socket - 2 Cable) Scania | |
| | Name | Qty. | |
| 1 | P90 | 1 | Sensor Cover |
| 2 | P3 | 1 | Clip |
| | | | |
| | | | |



| | | | |
|------------------------|-------------|---|--------------|
| ANDAC No | | 0810 10162 | |
| OE Reference No | | | |
| Application | | SB6 / SB7 | |
| Description | | Caliper Sensor Cover (3 Socket - 2 Cable) Scania | |
| | Name | Qty. | |
| 1 | P16 | 1 | Sensor Cover |
| 2 | P3 | 1 | Clip |
| | | | |
| | | | |



| | | | |
|------------------------|-------------|---|--------------|
| ANDAC No | | 0810 10390 | |
| OE Reference No | | | |
| Application | | SB6 / SB7 | |
| Description | | Caliper Sensor Cover (3 Socket - 3 Cable) New Version Scania | |
| | Name | Qty. | |
| 1 | P91 | 1 | Sensor Cover |
| 2 | P3 | 1 | Clip |
| | | | |
| | | | |



| | | | |
|------------------------|-------------|--|-----------------|
| ANDAC No | | 0810 10360 | |
| OE Reference No | | | |
| Application | | SB6 / SB7 | |
| Description | | Caliper Sensor Cover (Scania to MB) | |
| | Name | Qty. | |
| 1 | P72 | 1 | Sensor Coverter |
| | | | |
| | | | |



KNORR SB6-SB7

| | | | |
|--------------------|------|---------------------------------------|--------------|
| ANDAC No | | 0810 10164 | |
| OE Reference No | | | |
| Application | | SB7 Radial | |
| Description | | Caliper Sensor Cover (Without Sensor) | |
| | Name | Qty. | |
| 1 | P18 | 1 | Sensor Cover |
| | | | |
| | | | |



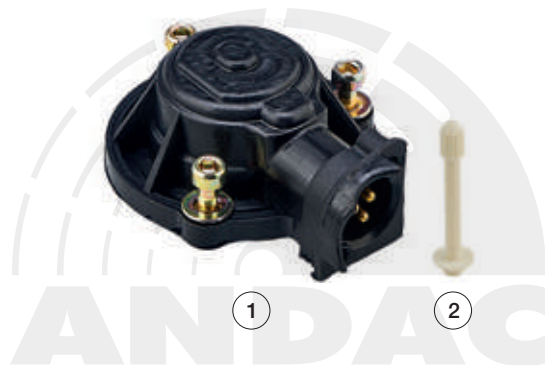
| | | | |
|--------------------|------|---|--------------|
| ANDAC No | | 0810 10377 | |
| OE Reference No | | | |
| Application | | SB6 / SB7 / SB7 Radial | |
| Description | | Caliper Sensor Cover (Without Sensor) Plugged | |
| | Name | Qty. | |
| 1 | P77 | 1 | Sensor Cover |
| | | | |
| | | | |



| | | | |
|--------------------|------|---|--------------|
| ANDAC No | | 0810 10264 | |
| OE Reference No | | | |
| Application | | SB7 Radial | |
| Description | | Caliper Sensor Cover (3 Socket - 2 Cable) | |
| | Name | Qty. | |
| 1 | P33 | 1 | Sensor Cover |
| 2 | P21 | 1 | Sensor Pin |
| | | | |
| | | | |



| | | | |
|--------------------|------|---|--------------|
| ANDAC No | | 0810 10163 | |
| OE Reference No | | | |
| Application | | SB7 Radial | |
| Description | | Caliper Sensor Cover (3 Socket - 3 Cable) | |
| | Name | Qty. | |
| 1 | P17 | 1 | Sensor Cover |
| 2 | P21 | 1 | Sensor Pin |
| | | | |
| | | | |



KNORR SB6-SB7

| | | | |
|------------------------|--|-------------|--------------|
| ANDAC No | 0810 10383 | | |
| OE Reference No | | | |
| Application | SB6 / SB7 / SB7 Radial | | |
| Description | Caliper Sensor Cover (3 Socket - 3 Cable) MAN | | |
| | Name | Qty. | |
| 1 | P84 | 1 | Sensor Cover |
| 2 | P21 | 1 | Sensor Pin |
| 3 | P93 | 1 | Sensor Pin |



| | | | |
|------------------------|---------------------------------------|-------------|--------------|
| ANDAC No | 0810 10323 | | |
| OE Reference No | | | |
| Application | SB6 / SB7 / SB7 Radial | | |
| Description | Caliper Sensor Cover (Without Sensor) | | |
| | Name | Qty. | |
| 1 | P51 | 1 | Sensor Cover |



| | | | |
|------------------------|---|-------------|--------------|
| ANDAC No | 0810 10324 | | |
| OE Reference No | | | |
| Application | SB7 Radial | | |
| Description | Caliper Sensor Cover (3 Socket - 2 Cable) | | |
| | Name | Qty. | |
| 1 | P52 | 1 | Sensor Cover |
| 2 | P21 | 1 | Sensor Pin |



| | | | |
|------------------------|---|-------------|--------------|
| ANDAC No | 0810 10325 | | |
| OE Reference No | | | |
| Application | SB7 Radial | | |
| Description | Caliper Sensor Cover (3 Socket - 3 Cable) | | |
| | Name | Qty. | |
| 1 | P53 | 1 | Sensor Cover |
| 2 | P21 | 1 | Sensor Pin |



KNORR SB6-SB7

| | | | |
|--------------------|------|------------------------|----------------|
| ANDAC No | | 0810 10363 | |
| OE Reference No | | | |
| Application | | SB6 / SB7 / SB7 Radial | |
| Description | | Caliper Sensor Lattice | |
| | Name | Qty. | |
| 1 | P10 | 5 | Sensor Lattice |
| | | | |
| | | | |



| | | | |
|--------------------|------|---------------------------|------------|
| ANDAC No | | 0810 10252 | |
| OE Reference No | | | |
| Application | | SB7 Radial | |
| Description | | Caliper Sensor Pin (Long) | |
| | Name | Qty. | |
| 1 | P21 | 5 | Sensor Pin |
| | | | |
| | | | |



| | | | |
|--------------------|------|---------------------|------|
| ANDAC No | | 0810 10253 | |
| OE Reference No | | | |
| Application | | SB6 / SB7 | |
| Description | | Caliper Sensor Clip | |
| | Name | Qty. | |
| 1 | P3 | 5 | Clip |
| | | | |
| | | | |



| | | | |
|--------------------|------|-------------------------------|--------------------|
| ANDAC No | | 0810 10370 | |
| OE Reference No | | | |
| Application | | SB6 / SB7 / SB7 Radial | |
| Description | | Caliper Sensor Holder (Short) | |
| | Name | Qty. | |
| 1 | T497 | 5 | Sensor Pin (Short) |
| | | | |
| | | | |



KNORR SB6-SB7

| | | | |
|------------------------|-------------|------------------------------|-------------------|
| ANDAC No | | 0810 10371 | |
| OE Reference No | | | |
| Application | | SB6 / SB7 / SB7 Radial | |
| Description | | Caliper Sensor Holder (Long) | |
| | Name | Qty. | |
| 1 | T498 | 5 | Sensor Pin (Long) |



| | | | |
|------------------------|-------------|------------------------|---------------------|
| ANDAC No | | 0810 10506 | |
| OE Reference No | | | |
| Application | | SB7 Radial | |
| Description | | Caliper Cover Bolt Kit | |
| | Name | Qty. | |
| 1 | C132 | 8 | Screw M12x1.75x80mm |



| | | | |
|------------------------|-------------|--------------------|---------------------------|
| ANDAC No | | 0810 10273 | |
| OE Reference No | | | |
| Application | | SB7 Radial | |
| Description | | Caliper Repair Kit | |
| | Name | Qty. | |
| 1 | T52 | 1 | Lever |
| 2 | T12 | 1 | Bridge |
| 3 | T200 | 1 | Lever Pin |
| 4 | S61 | 2 | Metal Sheet |
| 5 | T14 | 2 | Calibration Bolt 3 Thread |
| 6 | Y3 | 1 | Spring |
| 7 | K3T2 | 2 | Tappet and Boot (74mm) |
| 8 | K4 | 2 | Dust Cover |
| 9 | B1 | 2 | Bush |
| 10 | R14 | 2 | Roller Bearing |
| 11 | T386 | 1 | Adjusting Mechanism |
| 12 | T130 | 1 | Mechanism Gear |
| 13 | T20 | 1 | Calibration Loaf |
| 14 | T121 | 1 | Adjusting Mechanism |
| 15 | T118 | 1 | Caliper Chain 29 Link |



KNORR SB6-SB7

| ANDAC No | | 0810 10274 | |
|-----------------|------|---------------------------|--|
| OE Reference No | | | |
| Application | | SB7 | |
| Description | | Caliper Repair Kit | |
| Name | Qty. | | |
| 1 T18 | 1 | Lever | |
| 2 T12 | 1 | Bridge | |
| 3 T200 | 1 | Lever Pin | |
| 4 S61 | 2 | Metal Sheet | |
| 5 T14 | 2 | Calibration Bolt 3 Thread | |
| 6 Y35 | 1 | Spring | |
| 7 Y36 | 1 | Spring | |
| 8 K3T2 | 2 | Tappet and Boot (74mm) | |
| 9 K4 | 2 | Dust Cover | |
| 10 B1 | 2 | Bush | |
| 11 R14 | 2 | Roller Bearing | |
| 12 T386 | 1 | Adjusting Mechanism | |
| 13 T130 | 1 | Mechanism Gear | |
| 14 T20 | 1 | Calibration Loaf | |
| 15 T121 | 1 | Adjusting Mechanism | |
| 16 T118 | 1 | Caliper Chain 29 Link | |



| ANDAC No | | 0810 10280 | |
|-----------------|------|---------------------------|--|
| OE Reference No | | | |
| Application | | SB6 | |
| Description | | Caliper Repair Kit | |
| Name | Qty. | | |
| 1 T17 | 1 | Lever | |
| 2 T12 | 1 | Bridge | |
| 3 T200 | 1 | Lever Pin | |
| 4 S61 | 2 | Metal Sheet | |
| 5 T14 | 2 | Calibration Bolt 3 Thread | |
| 6 Y3 | 1 | Spring | |
| 7 K3T2 | 2 | Tappet and Boot (74mm) | |
| 8 K4 | 2 | Dust Cover | |
| 9 B1 | 2 | Bush | |
| 10 R14 | 2 | Roller Bearing | |
| 11 T386 | 1 | Adjusting Mechanism | |
| 12 T130 | 1 | Mechanism Gear | |
| 13 T20 | 1 | Calibration Loaf | |
| 14 T121 | 1 | Adjusting Mechanism | |
| 15 T118 | 1 | Caliper Chain 29 Link | |



| ANDAC No | | 0810 10281 | |
|-----------------|------|---------------------------|--|
| OE Reference No | | | |
| Application | | SB7 | |
| Description | | Caliper Repair Kit | |
| Name | Qty. | | |
| 1 T16 | 1 | Lever | |
| 2 T11 | 1 | Bridge | |
| 3 T200 | 1 | Lever Pin | |
| 4 S61 | 2 | Metal Sheet | |
| 5 T14 | 2 | Calibration Bolt 3 Thread | |
| 6 Y3 | 1 | Spring | |
| 7 KIT1 | 2 | Tappet and Boot (69mm) | |
| 8 K2 | 2 | Dust Cover | |
| 9 B1 | 2 | Bush | |
| 10 R15 | 2 | Roller Bearing | |
| 11 T386 | 1 | Adjusting Mechanism | |
| 12 T130 | 1 | Mechanism Gear | |
| 13 T20 | 1 | Calibration Loaf | |
| 14 T121 | 1 | Adjusting Mechanism | |
| 15 T118 | 1 | Caliper Chain 29 Link | |



| ANDAC No | | 0810 10282 | |
|-----------------|------|---------------------------|--|
| OE Reference No | | | |
| Application | | SB7 | |
| Description | | Caliper Repair Kit | |
| Name | Qty. | | |
| 1 T217 | 1 | Lever | |
| 2 T13 | 1 | Bridge | |
| 3 T14 | 2 | Calibration Bolt 3 Thread | |
| 4 Y3 | 1 | Spring | |
| 5 KIT1 | 2 | Tappet and Boot (69mm) | |
| 6 K2 | 2 | Dust Cover | |
| 7 B1 | 2 | Bush | |
| 8 R15 | 2 | Roller Bearing | |
| 9 T386 | 1 | Adjusting Mechanism | |
| 10 T130 | 1 | Mechanism Gear | |
| 11 T20 | 1 | Calibration Loaf | |
| 12 T208 | 1 | Adjusting Mechanism | |
| 13 T118 | 1 | Caliper Chain 29 Link | |



KNORR SB6-SB7

| ANDAC No | | 0810 10283 | |
|-----------------|------|---------------------------|--|
| OE Reference No | | | |
| Application | | SB6 / SB7 | |
| Description | | Caliper Repair Kit | |
| Name | Qty. | | |
| 1 T218 | 1 | Lever | |
| 2 T12 | 1 | Bridge | |
| 3 T200 | 1 | Lever Pin | |
| 4 S61 | 2 | Metal Sheet | |
| 5 T14 | 2 | Calibration Bolt 3 Thread | |
| 6 Y3 | 1 | Spring | |
| 7 K3T2 | 2 | Tappet and Boot (74mm) | |
| 8 K4 | 2 | Dust Cover | |
| 9 B1 | 2 | Bush | |
| 10 R14 | 2 | Roller Bearing | |
| 11 T386 | 1 | Adjusting Mechanism | |
| 12 T130 | 1 | Mechanism Gear | |
| 13 T20 | 1 | Calibration Loaf | |
| 14 T121 | 1 | Adjusting Mechanism | |
| 15 T118 | 1 | Caliper Chain 29 Link | |



ANDAC No 0810 10953

OE Reference No

Application SB6 / SB7

Description Caliper Repair Kit

| | Name | Qty. | |
|----|------|------|-------------------------------------|
| 1 | T12 | 1 | Bridge |
| 2 | T200 | 1 | Lever Pin |
| 3 | S61 | 2 | Metal Sheet |
| 4 | T14 | 2 | Calibration Bolt 3 Thread |
| 5 | Y3 | 1 | Spring |
| 6 | K3T2 | 2 | Tappet and Boot (74mm) |
| 7 | K4 | 2 | Dust Cover |
| 8 | B1 | 2 | Bush |
| 9 | R14 | 2 | Roller Bearing |
| 10 | T120 | 1 | Adjusting Mechanism |
| 11 | T130 | 1 | Mechanism Gear |
| 12 | T121 | 1 | Adjusting Mechanism |
| 13 | T118 | 1 | Caliper Chain 29 Link |
| 14 | T3 | 1 | Guide Pin Ø36x114mm |
| 15 | C2 | 1 | Screw M16x1,5x87mm |
| 16 | T4 | 1 | Guide Pin Ø32x80mm |
| 17 | C3 | 1 | Screw M16x1,5x80mm |
| 18 | K9 | 1 | Boot |
| 19 | P1 | 1 | Ring |
| 20 | S10 | 1 | Metal Tap |
| 21 | K7 | 1 | Metal - Rubber Bush (Short) (Ø39mm) |
| 22 | B2 | 1 | Bush |



ANDAC



KNORR SB6-SB7
ANDAC No 0810 10954

OE Reference No
Application SB6 / SB7

Description Caliper Repair Kit

| | Name | Qty. | |
|----|------|------|-------------------------------------|
| 1 | T12 | 1 | Bridge |
| 2 | T200 | 1 | Lever Pin |
| 3 | S61 | 2 | Metal Sheet |
| 4 | T14 | 2 | Calibration Bolt 3 Thread |
| 5 | Y3 | 1 | Spring |
| 6 | K3T2 | 2 | Tappet and Boot (74mm) |
| 7 | K4 | 2 | Dust Cover |
| 8 | B1 | 2 | Bush |
| 9 | R15 | 2 | Roller Bearing |
| 10 | T120 | 1 | Adjusting Mechanism |
| 11 | T130 | 1 | Mechanism Gear |
| 12 | T121 | 1 | Adjusting Mechanism |
| 13 | T118 | 1 | Caliper Chain 29 Link |
| 14 | T3 | 1 | Guide Pin Ø36x114mm |
| 15 | C2 | 1 | Screw M16x1,5x87mm |
| 16 | T4 | 1 | Guide Pin Ø32x80mm |
| 17 | C3 | 1 | Screw M16x1,5x80mm |
| 18 | K9 | 1 | Boot |
| 19 | P1 | 1 | Ring |
| 20 | S10 | 1 | Metal Tap |
| 21 | K7 | 1 | Metal - Rubber Bush (Short) (Ø39mm) |
| 22 | B2 | 1 | Bush |



KNORR SB6-SB7

| | | | |
|------------------------|-------------|---------------------------|------------------------|
| ANDAC No | | 0810 10168 | |
| OE Reference No | | | |
| Application | | SB6 / SB7 | |
| Description | | Caliper Repair Kit | |
| | Name | Qty. | |
| 1 | T5 | 1 | Guide Pin Ø36x145mm |
| 2 | C1 | 1 | Screw M16x1,5x150mm |
| 3 | T6 | 1 | Guide Pin Ø34x80mm |
| 4 | C2 | 1 | Screw M16x1,5x87mm |
| 5 | K3T2 | 2 | Tappet and Boot (74mm) |
| 6 | K4 | 2 | Dust Cover |
| 7 | B1 | 2 | Bush |
| 8 | B2 | 1 | Bush |
| 9 | K11 | 1 | Rubber Bush |
| 10 | K12 | 1 | Rubber Cap (Ø38mm) |
| 11 | K10 | 1 | Boot |
| 12 | K9 | 1 | Boot |
| 13 | P1 | 1 | Ring |
| 14 | S21 | 1 | Clamp |
| 15 | K15 | 1 | Rubber Tap |



| | | | |
|------------------------|-------------|---------------------------|---------------------|
| ANDAC No | | 0810 10169 | |
| OE Reference No | | | |
| Application | | SB6 / SB7 | |
| Description | | Caliper Repair Kit | |
| | Name | Qty. | |
| 1 | T5 | 1 | Guide Pin Ø36x145mm |
| 2 | C1 | 1 | Screw M16x1,5x150mm |
| 3 | T3 | 1 | Guide Pin Ø36x114mm |
| 4 | C2 | 2 | Screw M16x1,5x87mm |
| 5 | T6 | 1 | Guide Pin Ø34x80mm |
| 6 | K9 | 1 | Boot |
| 7 | P1 | 1 | Ring |
| 8 | K10 | 1 | Boot |
| 9 | S21 | 1 | Clamp |
| 10 | K12 | 1 | Rubber Cap (Ø38mm) |
| 11 | K15 | 1 | Rubber Tap |
| 12 | S2 | 1 | Metal Cap |
| 13 | K8 | 1 | O-Ring |
| 14 | T20 | 1 | Calibration Loaf |
| 15 | K11 | 1 | Rubber Bush |
| 16 | B2 | 1 | Bush |



KNORR SB6-SB7

| ANDAC No | | 0810 10197 | |
|-----------------|------|-------------------------------------|--|
| OE Reference No | | K000365 - 0004202282 | |
| Application | | SB6 / SB7 | |
| Description | | Caliper Repair Kit | |
| Name | Qty. | | |
| 1 T3 | 1 | Guide Pin Ø36x114mm | |
| 2 C2 | 2 | Screw M16x1,5x87mm | |
| 3 T4 | 1 | Guide Pin Ø32x80mm | |
| 4 C3 | 1 | Screw M16x1,5x80mm | |
| 5 T6 | 1 | Guide Pin Ø34x80mm | |
| 6 B2 | 1 | Bush | |
| 7 K11 | 1 | Rubber Bush | |
| 8 K7 | 1 | Metal - Rubber Bush (Short) (Ø39mm) | |
| 9 S2 | 1 | Metal Cap | |
| 10 K8 | 1 | O - Ring | |
| 11 K9 | 1 | Boot | |
| 12 P1 | 1 | Teflon Ring | |
| 13 S10 | 1 | Metal Tap | |



| ANDAC No | | 0810 10303 | |
|-----------------|------|------------------------------------|--|
| OE Reference No | | K001470 - 0004203482 | |
| Application | | SB6 / SB7 | |
| Description | | Caliper Repair Kit | |
| Name | Qty. | | |
| 1 T3 | 1 | Guide Pin Ø36x114mm | |
| 2 C2 | 2 | Screw M16x1,5x87mm | |
| 3 T4 | 1 | Guide Pin Ø32x80mm | |
| 4 C3 | 1 | Screw M16x1,5x80mm | |
| 5 T6 | 1 | Guide Pin Ø34x80mm | |
| 6 B2 | 1 | Bush | |
| 7 K11 | 1 | Rubber Bush | |
| 8 K5 | 1 | Metal - Rubber Bush (Long) (Ø39mm) | |
| 9 S2 | 1 | Metal Cap | |
| 10 K8 | 1 | O - Ring | |
| 11 K9 | 1 | Boot | |
| 12 P1 | 1 | Teflon Ring | |
| 13 S10 | 1 | Metal Tap | |
| 14 S1 | 1 | Pin Cap | |



KNORR SB6-SB7

| ANDAC No | | 0810 10171 | |
|-----------------|------|---------------------|--|
| OE Reference No | | | |
| Application | | SB6 / SB7 | |
| Description | | Caliper Repair Kit | |
| Name | Qty. | | |
| 1 T5 | 1 | Guide Pin Ø36x145mm | |
| 2 C1 | 1 | Screw M16x1,5x150mm | |
| 3 T6 | 1 | Guide Pin Ø34x80mm | |
| 4 C2 | 1 | Screw M16x1,5x87mm | |
| 5 K9 | 1 | Boot | |
| 6 P1 | 1 | Ring | |
| 7 K10 | 1 | Boot | |
| 8 S21 | 1 | Clamp | |
| 9 K12 | 1 | Rubber Cap (Ø38mm) | |
| 10 K15 | 1 | Rubber Tap | |
| 11 K11 | 1 | Rubber Bush | |
| 12 B2 | 1 | Bush | |
| 13 T20 | 1 | Calibration Leaf | |



| ANDAC No | | 0810 10172 | |
|-----------------|------|--|--|
| OE Reference No | | II328090062 - II339680062 - II369100062 - 0004200782 - 0004201282 - 81508226009 1390427 - 1448915 - 93162048 - 0501211763 | |
| Application | | SB6 / SB7 / SB7 Radial | |
| Description | | Caliper Repair Kit | |
| Name | Qty. | | |
| 1 T5 | 1 | Guide Pin Ø36x145mm | |
| 2 C1 | 1 | Screw M16x1,5x150mm | |
| 3 T6 | 1 | Guide Pin Ø34x80mm | |
| 4 C2 | 1 | Screw M16x1,5x87mm | |
| 5 K11 | 1 | Rubber Bush | |
| 6 K9 | 1 | Boot | |
| 7 P1 | 1 | Teflon Ring | |
| 8 K10 | 1 | Boot | |
| 9 S21 | 1 | Clamp | |
| 10 B2 | 1 | Bush | |



KNORR SB6-SB7

| ANDAC No | | 0810 10173 | |
|-----------------|------|-------------------------------------|--|
| OE Reference No | | K000687 - 1603326 | |
| Application | | SB6 / SB7 | |
| Description | | Caliper Repair Kit | |
| Name | Qty. | | |
| 1 T5 | 1 | Guide Pin Ø36x145mm | |
| 2 C1 | 1 | Screw M16x1,5x150mm | |
| 3 T4 | 1 | Guide Pin Ø32x80mm | |
| 4 C3 | 1 | Screw M16x1,5x80mm | |
| 5 K9 | 1 | Boot | |
| 6 P1 | 1 | Ring | |
| 7 K7 | 1 | Metal - Rubber Bush (Short) (Ø39mm) | |
| 8 K10 | 1 | Boot | |
| 9 S21 | 1 | Clamp | |
| 10 B2 | 1 | Bush | |



| ANDAC No | | 0810 10174 | |
|-----------------|------|---------------------|--|
| OE Reference No | | K000935 | |
| Application | | SB6 / SB7 | |
| Description | | Caliper Repair Kit | |
| Name | Qty. | | |
| 1 T5 | 1 | Guide Pin Ø36x145mm | |
| 2 C1 | 1 | Screw M16x1,5x150mm | |
| 3 K9 | 1 | Boot | |
| 4 P1 | 1 | Ring | |
| 5 K10 | 1 | Boot | |
| 6 S21 | 1 | Clamp | |
| 7 B2 | 1 | Bush | |



KNORR SB6-SB7

| | | | |
|------------------------|-------------|---|---------------------|
| ANDAC No | | 0810 10290 | |
| OE Reference No | | 11358510062 - 1415149 - 0004201182 - 0501211047 | |
| Application | | SB6 / SB7 Radial | |
| Description | | Caliper Repair Kit | |
| | Name | Qty. | |
| 1 | T5 | 1 | Guide Pin Ø36x145mm |
| 2 | C1 | 1 | Screw M16x1,5x150mm |
| 3 | T211 | 1 | Guide Pin Ø34x120mm |
| 4 | C16 | 1 | Screw M16x1.5x125mm |
| 5 | K10 | 1 | Boot |
| 6 | S21 | 1 | Clamp |
| 7 | K53 | 1 | Rubber Bush |
| 8 | B2 | 1 | Bush |
| 9 | K9 | 1 | Boot |
| 10 | P1 | 1 | Ring |



| | | | |
|------------------------|-------------|--------------------|---------------------|
| ANDAC No | | 0810 10179 | |
| OE Reference No | | | |
| Application | | SB7 | |
| Description | | Caliper Repair Kit | |
| | Name | Qty. | |
| 1 | T5 | 1 | Guide Pin Ø36x145mm |
| 2 | C1 | 1 | Screw M16x1,5x150mm |
| 3 | T211 | 1 | Guide Pin Ø34x120mm |
| 4 | C16 | 1 | Screw M16x1.5x125mm |
| 5 | K10 | 1 | Boot |
| 6 | S21 | 1 | Clamp |
| 7 | K53 | 1 | Rubber Bush |
| 8 | B2 | 1 | Bush |



KNORR SB6-SB7

| ANDAC No | | 0810 10175 |
|-----------------|------|---------------------------|
| OE Reference No | | |
| Application | | SB6 / SB7 |
| Description | | Caliper Repair Kit |
| Name | Qty. | |
| 1 T5 | 1 | Guide Pin Ø36x145mm |
| 2 C1 | 1 | Screw M16x1,5x150mm |
| 3 T6 | 1 | Guide Pin Ø34x80mm |
| 4 C2 | 1 | Screw M16x1,5x87mm |
| 5 B2 | 1 | Bush |



| ANDAC No | | 0810 10289 |
|-----------------|------|---------------------------|
| OE Reference No | | |
| Application | | SB7 |
| Description | | Caliper Repair Kit |
| Name | Qty. | |
| 1 T5 | 1 | Guide Pin Ø36x145mm |
| 2 C1 | 1 | Screw M16x1,5x150mm |
| 3 T6 | 1 | Guide Pin Ø34x80mm |
| 4 C2 | 1 | Screw M16x1,5x87mm |
| 5 K11 | 1 | Rubber Bush |



| ANDAC No | | 0810 10176 |
|-----------------|------|---|
| OE Reference No | | K000132 - II304130062 - 97131439 - II304130061 |
| Application | | SB6 / SB7 |
| Description | | Caliper Repair Kit |
| Name | Qty. | |
| 1 T10 | 1 | Guide Pin Ø36x135mm |
| 2 C4 | 1 | Screw M16x1,5x140mm |
| 3 T6 | 1 | Guide Pin Ø34x80mm |
| 4 C2 | 1 | Screw M16x1,5x87mm |
| 5 K11 | 1 | Rubber Bush |
| 6 K10 | 1 | Boot |
| 7 S21 | 1 | Clamp |
| 8 K9 | 1 | Boot |
| 9 P1 | 1 | Ring |
| 10 B2 | 1 | Bush |



KNORR SB6-SB7

| | | | |
|------------------------|-------------|---------------------------|---------------------|
| ANDAC No | | 0810 10177 | |
| OE Reference No | | | |
| Application | | SB6 / SB7 | |
| Description | | Caliper Repair Kit | |
| | Name | Qty. | |
| 1 | T10 | 1 | Guide Pin Ø36x135mm |
| 2 | T6 | 1 | Guide Pin Ø34x80mm |
| 3 | K11 | 1 | Rubber Bush |
| 4 | K10 | 1 | Boot |
| 5 | S21 | 1 | Clamp |
| 6 | K9 | 1 | Boot |
| 7 | P1 | 1 | Ring |
| 8 | B2 | 1 | Bush |



| | | | |
|------------------------|-------------|---------------------------|---------------------|
| ANDAC No | | 0810 10178 | |
| OE Reference No | | II179320062 | |
| Application | | SB7 | |
| Description | | Caliper Repair Kit | |
| | Name | Qty. | |
| 1 | T10 | 1 | Guide Pin Ø36x135mm |
| 2 | C4 | 1 | Screw M16x1,5x140mm |
| 3 | T211 | 1 | Guide Pin Ø34x120mm |
| 4 | C16 | 1 | Screw M16x1,5x125mm |
| 5 | K53 | 1 | Rubber Bush |
| 6 | K55 | 1 | Boot |
| 7 | K56 | 1 | Boot |
| 8 | S21 | 1 | Clamp |
| 9 | B2 | 1 | Bush |



| | | | |
|------------------------|-------------|----------------------------------|---------------------|
| ANDAC No | | 0810 10180 | |
| OE Reference No | | II197140062 - II179320062 | |
| Application | | SB7 | |
| Description | | Caliper Repair Kit | |
| | Name | Qty. | |
| 1 | T10 | 1 | Guide Pin Ø36x135mm |
| 2 | C4 | 1 | Screw M16x1,5x140mm |
| 3 | T6 | 1 | Guide Pin Ø34x80mm |
| 4 | C2 | 1 | Screw M16x1,5x87mm |
| 5 | K11 | 1 | Rubber Bush |
| 6 | K55 | 1 | Boot |
| 7 | S21 | 1 | Clamp |
| 8 | K58 | 1 | Rubber Tap |
| 9 | B2 | 1 | Bush |



KNORR SB6-SB7

| ANDAC No | | 0810 10181 | |
|-----------------|------|-----------------------|--|
| OE Reference No | | II197330062 - 1390426 | |
| Application | | SB7 | |
| Description | | Caliper Repair Kit | |
| Name | Qty. | | |
| 1 T10 | 1 | Guide Pin Ø36x135mm | |
| 2 C4 | 1 | Screw M16x1,5x140mm | |
| 3 T6 | 1 | Guide Pin Ø34x80mm | |
| 4 C2 | 1 | Screw M16x1,5x87mm | |
| 5 K11 | 1 | Rubber Bush | |
| 6 K55 | 1 | Boot | |
| 7 K56 | 1 | Boot | |
| 8 S21 | 1 | Clamp | |
| 9 B2 | 1 | Bush | |



| ANDAC No | | 0810 10291 | |
|-----------------|------|---------------------|--|
| OE Reference No | | II339830064 | |
| Application | | SB7 / SB7 Radial | |
| Description | | Caliper Repair Kit | |
| Name | Qty. | | |
| 1 T211 | 1 | Guide Pin Ø34x120mm | |
| 2 C16 | 1 | Screw M16x1.5x125mm | |
| 3 K53 | 1 | Rubber Bush | |



| ANDAC No | | 0810 10946 | |
|-----------------|------|---------------------|--|
| OE Reference No | | | |
| Application | | SB7 / SB7 Radial | |
| Description | | Caliper Repair Kit | |
| Name | Qty. | | |
| 1 T211 | 1 | Guide Pin Ø34x120mm | |
| 2 K53 | 1 | Rubber Bush | |



KNORR SB6-SB7

| | | | |
|------------------------|-------------|---|-----------------------------|
| ANDAC No | | 0810 10193 | |
| OE Reference No | | K031844K50 - 1906779 - K011117 - K133158K50 | |
| Application | | SB6 / SB7 | |
| Description | | Caliper Repair Kit | |
| | Name | Qty. | |
| 1 | T3 | 1 | Guide Pin Ø36x114mm |
| 2 | C2 | 1 | Screw M16x1,5x87mm |
| 3 | T213 | 1 | Guide Pin Ø32x84mm |
| 4 | C3 | 1 | Screw M16x1,5x80mm |
| 5 | K9 | 1 | Boot |
| 6 | P1 | 1 | Ring |
| 7 | B2 | 1 | Bush |
| 8 | S2 | 1 | Metal Cap |
| 9 | K8 | 1 | O-Ring |
| 10 | S10 | 1 | Metal Tap |
| 11 | K39 | 1 | Metal - Rubber Bush (Short) |
| 12 | K110 | 1 | Boot |
| 13 | P28 | 1 | Ring |
| 14 | S121 | 1 | Metal Cap |



| | | | |
|------------------------|-------------|------------------------|-----------------------------|
| ANDAC No | | 0810 10402 | |
| OE Reference No | | 2286677 - K105599K55 | |
| Application | | SB6 / SB7 / SB7 Radial | |
| Description | | Caliper Repair Kit | |
| | Name | Qty. | |
| 1 | T638 | 1 | Guide Pin Ø36x114mm |
| 2 | C2 | 1 | Screw M16x1,5x87mm |
| 3 | T213 | 1 | Guide Pin Ø32x84mm |
| 4 | C3 | 1 | Screw M16x1,5x80mm |
| 5 | K9 | 1 | Boot |
| 6 | P1 | 1 | Ring |
| 7 | B2 | 1 | Bush |
| 8 | S2 | 1 | Metal Cap |
| 9 | K8 | 1 | O-Ring |
| 10 | S10 | 1 | Metal Tap |
| 11 | K39 | 1 | Metal - Rubber Bush (Short) |
| 12 | K110 | 1 | Boot |
| 13 | P28 | 1 | Ring |
| 14 | S121 | 1 | Metal Cap |



KNORR SB6-SB7

| ANDAC No | | 0810 10192 | |
|-----------------|------|------------------------------------|--|
| OE Reference No | | K067417K50 - 3434382000 - K109244 | |
| Application | | SB6 / SB7 | |
| Description | | Caliper Repair Kit | |
| Name | Qty. | | |
| 1 T3 | 1 | Guide Pin Ø36x114mm | |
| 2 C2 | 1 | Screw M16x1,5x87mm | |
| 3 T4 | 1 | Guide Pin Ø32x80mm | |
| 4 C3 | 1 | Screw M16x1,5x80mm | |
| 5 S2 | 1 | Metal Cap | |
| 6 K8 | 1 | O - Ring | |
| 7 K6 | 1 | Metal - Rubber Bush (Long) (Ø35mm) | |
| 8 T57 | 1 | Ring (Ø39mm) | |
| 9 S1 | 1 | Pin Cap | |
| 10 K9 | 1 | Boot | |
| 11 P1 | 1 | Ring | |
| 12 B2 | 1 | Bush | |
| 13 S10 | 1 | Metal Tap | |



| ANDAC No | | 0810 10485 | |
|-----------------|------|------------------------------------|--|
| OE Reference No | | | |
| Application | | SB6 / SB7 | |
| Description | | Caliper Repair Kit | |
| Name | Qty. | | |
| 1 T3 | 1 | Guide Pin Ø36x114mm | |
| 2 C2 | 1 | Screw M16x1,5x87mm | |
| 3 T4 | 1 | Guide Pin Ø32x80mm | |
| 4 C3 | 1 | Screw M16x1,5x80mm | |
| 5 S2 | 1 | Metal Cap | |
| 6 K8 | 1 | O - Ring | |
| 7 K6 | 1 | Metal - Rubber Bush (Long) (Ø35mm) | |
| 8 T57 | 1 | Ring (Ø39mm) | |
| 9 S1 | 1 | Pin Cap | |
| 10 K9 | 1 | Boot | |
| 11 P1 | 1 | Ring | |
| 12 B2 | 1 | Bush | |
| 13 S10 | 1 | Metal Tap | |
| 14 K12 | 1 | Boot | |
| 15 T20 | 1 | Calibration leaf | |



KNORR SB6-SB7

| | | | |
|------------------------|-------------|----------------------|------------------------------------|
| ANDAC No | | 0810 10200 | |
| OE Reference No | | K000375 - K067417K50 | |
| Application | | SB6 / SB7 | |
| Description | | Caliper Repair Kit | |
| | Name | Qty. | |
| 1 | T3 | 1 | Guide Pin Ø36x114mm |
| 2 | C2 | 1 | Screw M16x1,5x87mm |
| 3 | T4 | 1 | Guide Pin Ø32x80mm |
| 4 | C3 | 1 | Screw M16x1,5x80mm |
| 5 | S2 | 1 | Metal Cap |
| 6 | K8 | 1 | O - Ring |
| 7 | S1 | 1 | Pin Cap |
| 8 | K5 | 1 | Metal - Rubber Bush (Long) (Ø39mm) |
| 9 | K9 | 1 | Boot |
| 10 | P1 | 1 | Ring |
| 11 | B2 | 1 | Bush |



| | | | |
|------------------------|-------------|----------------------------------|------------------------------------|
| ANDAC No | | 0810 10201 | |
| OE Reference No | | K000375 - K067417K50 | |
| Application | | SB6 / SB7 | |
| Description | | Caliper Repair Kit (New Model) | |
| | Name | Qty. | |
| 1 | T3 | 1 | Guide Pin Ø36x114mm |
| 2 | C2 | 1 | Screw M16x1,5x87mm |
| 3 | T244 | 1 | Guide Pin Ø32x88mm |
| 4 | C3 | 1 | Screw M16x1,5x80mm |
| 5 | S2 | 1 | Metal Cap |
| 6 | K8 | 1 | O - Ring |
| 7 | K5 | 1 | Metal - Rubber Bush (Long) (Ø39mm) |
| 8 | K9 | 1 | Boot |
| 9 | P1 | 1 | Ring |
| 10 | B2 | 1 | Bush |



KNORR SB6-SB7

| ANDAC No | | 0810 10202 | |
|-----------------|------|------------------------------------|--|
| OE Reference No | | K001532 | |
| Application | | SB6 / SB7 | |
| Description | | Caliper Repair Kit | |
| Name | Qty. | | |
| 1 T3 | 1 | Guide Pin Ø36x114mm | |
| 2 C2 | 1 | Screw M16x1,5x87mm | |
| 3 T4 | 1 | Guide Pin Ø32x80mm | |
| 4 C3 | 1 | Screw M16x1,5x80mm | |
| 5 S2 | 1 | Metal Cap | |
| 6 K8 | 1 | O - Ring | |
| 7 S1 | 1 | Pin Cap | |
| 8 K6 | 1 | Metal - Rubber Bush (Long) (Ø35mm) | |
| 9 K9 | 1 | Boot | |
| 10 P1 | 1 | Ring | |
| 11 B2 | 1 | Bush | |



| ANDAC No | | 0810 10203 | |
|-----------------|------|------------------------------------|--|
| OE Reference No | | K001532 | |
| Application | | SB6 / SB7 | |
| Description | | Caliper Repair Kit (New Model) | |
| Name | Qty. | | |
| 1 T3 | 1 | Guide Pin Ø36x114mm | |
| 2 C2 | 1 | Screw M16x1,5x87mm | |
| 3 T244 | 1 | Guide Pin Ø32x88mm | |
| 4 C3 | 1 | Screw M16x1,5x80mm | |
| 5 S2 | 1 | Metal Cap | |
| 6 K8 | 1 | O - Ring | |
| 7 S1 | 1 | Pin Cap | |
| 8 K6 | 1 | Metal - Rubber Bush (Long) (Ø35mm) | |
| 9 K9 | 1 | Boot | |
| 10 P1 | 1 | Ring | |
| 11 B2 | 1 | Bush | |



KNORR SB6-SB7

| | | | |
|------------------------|-------------|-------------------------|-------------------------------------|
| ANDAC No | | 0810 10983 | |
| OE Reference No | | K067417K50 - 3434382000 | |
| Application | | SB6 / SB7 | |
| Description | | Caliper Repair Kit | |
| | Name | Qty. | |
| 1 | T3 | 1 | Guide Pin Ø36x114mm |
| 2 | C2 | 1 | Screw M16x1,5x87mm |
| 3 | T4 | 1 | Guide Pin Ø32x80mm |
| 4 | C3 | 1 | Screw M16x1,5x80mm |
| 5 | S2 | 1 | Metal Cap |
| 6 | K8 | 1 | O - Ring |
| 7 | K6 | 1 | Metal - Rubber Bush (Long) (Ø35mm) |
| 8 | T57 | 1 | Ring (Ø39mm) |
| 9 | S1 | 1 | Pin Cap |
| 10 | K9 | 1 | Boot |
| 11 | P1 | 1 | Ring |
| 12 | B2 | 1 | Bush |
| 13 | S10 | 1 | Metal Tap |
| 14 | K7 | 1 | Metal - Rubber Bush (Short) (Ø39mm) |



| | | | |
|------------------------|-------------|--------------------|---------------------|
| ANDAC No | | 0810 10204 | |
| OE Reference No | | | |
| Application | | SB7 | |
| Description | | Caliper Repair Kit | |
| | Name | Qty. | |
| 1 | T3 | 1 | Guide Pin Ø36x114mm |
| 2 | C2 | 2 | Screw M16x1,5x87mm |
| 3 | T6 | 1 | Guide Pin Ø32x80mm |
| 4 | K9 | 1 | Boot |
| 5 | P1 | 1 | Ring |
| 6 | S2 | 1 | Metal Cap |
| 7 | K8 | 1 | O - Ring |
| 8 | T20 | 1 | Calibration Loaf |
| 9 | K12 | 1 | Rubber Cap (Ø38mm) |
| 10 | K15 | 1 | Rubber Tap |
| 11 | B2 | 1 | Bush |
| 12 | K11 | 1 | Rubber Bush |



KNORR SB6-SB7

| ANDAC No | | 0810 10207 | |
|-----------------|------|-------------------------|--|
| OE Reference No | | II39769F0062 - 42537451 | |
| Application | | SB6 / SB7 | |
| Description | | Caliper Repair Kit | |
| Name | Qty. | | |
| 1 T3 | 1 | Guide Pin Ø36x114mm | |
| 2 C2 | 2 | Screw M16x1,5x87mm | |
| 3 T6 | 1 | Guide Pin Ø32x80mm | |
| 4 K9 | 1 | Boot | |
| 5 P1 | 1 | Boot | |
| 6 S2 | 1 | Metal Tap | |
| 7 K8 | 1 | O-Ring | |
| 8 B2 | 1 | Bush | |
| 9 K11 | 1 | Rubber Bush | |



| ANDAC No | | 0810 10208 | |
|-----------------|------|--|--|
| OE Reference No | | K001915 - 1639100 - K048389K50 - 81508226037 - 81.50822-6037 - 1847716 - K126962 | |
| Application | | SB6 / SB7 | |
| Description | | Caliper Repair Kit | |
| Name | Qty. | | |
| 1 T3 | 1 | Guide Pin Ø36x114mm | |
| 2 C2 | 1 | Screw M16x1,5x87mm | |
| 3 T4 | 1 | Guide Pin Ø32x80mm | |
| 4 C3 | 1 | Screw M16x1,5x80mm | |
| 5 K9 | 1 | Boot | |
| 6 P1 | 1 | Ring | |
| 7 S10 | 1 | Metal Tap | |
| 8 K7 | 1 | Metal - Rubber Bush (Short) (Ø39mm) | |
| 9 B2 | 1 | Bush | |



KNORR SB6-SB7

| | | | |
|------------------------|-------------|--------------------------------|-------------------------------------|
| ANDAC No | | 0810 10304 | |
| OE Reference No | | 3434382000 - K048434K62 | |
| Application | | SB6 / SB7 | |
| Description | | Caliper Repair Kit | |
| | Name | Qty. | |
| 1 | T3 | 1 | Guide Pin Ø36x114mm |
| 2 | C2 | 1 | Screw M16x1,5x87mm |
| 3 | T4 | 1 | Guide Pin Ø32x80mm |
| 4 | C3 | 1 | Screw M16x1,5x80mm |
| 5 | S2 | 1 | Metal Cap |
| 6 | K8 | 1 | O-Ring |
| 7 | K113 | 1 | Metal - Rubber Bush (Short) (Ø35mm) |
| 8 | T57 | 1 | Ring Ø39mm |
| 9 | K9 | 1 | Boot |
| 10 | P1 | 1 | Ring |
| 11 | B2 | 1 | Bush |
| 12 | S10 | 1 | Metal Tap |



| | | | |
|------------------------|-------------|---------------------------|-------------------------------------|
| ANDAC No | | 0810 10305 | |
| OE Reference No | | K048371K50 | |
| Application | | SB6 / SB7 | |
| Description | | Caliper Repair Kit | |
| | Name | Qty. | |
| 1 | T3 | 1 | Guide Pin Ø36x114mm |
| 2 | C2 | 1 | Screw M16x1,5x87mm |
| 3 | T4 | 1 | Guide Pin Ø32x80mm |
| 4 | C3 | 1 | Screw M16x1,5x80mm |
| 5 | S2 | 1 | Metal Cap |
| 6 | K8 | 1 | O-Ring |
| 7 | K7 | 1 | Metal - Rubber Bush (Short) (Ø39mm) |
| 8 | K9 | 1 | Boot |
| 9 | P1 | 1 | Ring |
| 10 | B2 | 1 | Bush |



KNORR SB6-SB7

| ANDAC No | | 0810 10306 | |
|-----------------|------|-------------------------------------|--|
| OE Reference No | | K048396K50 - K118520 | |
| Application | | SB6 / SB7 | |
| Description | | Caliper Repair Kit | |
| Name | Qty. | | |
| 1 T3 | 1 | Guide Pin Ø36x114mm | |
| 2 C2 | 1 | Screw M16x1,5x87mm | |
| 3 T4 | 1 | Guide Pin Ø32x80mm | |
| 4 C3 | 1 | Screw M16x1,5x80mm | |
| 5 S2 | 1 | Metal Cap | |
| 6 K8 | 1 | O-Ring | |
| 7 K113 | 1 | Metal - Rubber Bush (Short) (Ø35mm) | |
| 8 K9 | 1 | Boot | |
| 9 P1 | 1 | Ring | |
| 10 B2 | | Bush | |



| ANDAC No | | 0810 10294 | |
|-----------------|------|----------------------|--|
| OE Reference No | | K010813 - 3434382400 | |
| Application | | SB7 | |
| Description | | Caliper Repair Kit | |
| Name | Qty. | | |
| 1 T3 | 1 | Guide Pin Ø36x114mm | |
| 2 C2 | 1 | Screw M16x1,5x87mm | |
| 3 T7 | 1 | Guide Pin Ø36x64mm | |
| 4 C8 | 1 | Screw M16x1,5x70mm | |
| 5 B2 | 1 | Bush | |
| 6 B16 | 1 | Bush | |
| 7 K9 | 2 | Boot | |
| 8 P1 | 2 | Ring | |
| 9 S16 | 1 | Metal Tap | |
| 10 S2 | 1 | Metal Tap | |
| 11 K8 | 1 | O-Ring | |



KNORR SB6-SB7

| | | | |
|------------------------|-------------|---------------------------|---------------------|
| ANDAC No | | 0810 10209 | |
| OE Reference No | | | |
| Application | | SB7 | |
| Description | | Caliper Repair Kit | |
| | Name | Qty. | |
| 1 | T3 | 1 | Guide Pin Ø36x114mm |
| 2 | C2 | 2 | Screw M16x1,5x87mm |
| 3 | T6 | 1 | Guide Pin Ø34x80mm |
| 4 | S2 | 1 | Metal Tap |
| 5 | B2 | 1 | Bush |
| 6 | K8 | 1 | O-Ring |



| | | | |
|------------------------|-------------|---------------------------|------------------------------------|
| ANDAC No | | 0810 10214 | |
| OE Reference No | | | |
| Application | | SB6 / SB7 | |
| Description | | Caliper Repair Kit | |
| | Name | Qty. | |
| 1 | T3 | 1 | Guide Pin Ø36x114mm |
| 2 | C2 | 1 | Screw M16x1,5x87mm |
| 3 | T4 | 1 | Guide Pin Ø32x80mm |
| 4 | C3 | 1 | Screw M16x1,5x80mm |
| 5 | K5 | 1 | Metal - Rubber Bush (Long) (Ø39mm) |
| 6 | T56 | 1 | Ring (Ø35mm) |
| 7 | S1 | 1 | Pin Cap |



| | | | |
|------------------------|-------------|--|---------------------|
| ANDAC No | | 0810 10210 | |
| OE Reference No | | K000696 - II310370066 - 0024200383 - 0980102970 | |
| Application | | SB6 / SB7 | |
| Description | | Caliper Repair Kit | |
| | Name | Qty. | |
| 1 | T3 | 1 | Guide Pin Ø36x114mm |
| 2 | C2 | 1 | Screw M16x1,5x87mm |
| 3 | B2 | 1 | Bush |
| 4 | S2 | 1 | Metal Cap |
| 5 | K8 | 1 | O-Ring |
| 6 | K9 | 1 | Boot |
| 7 | P1 | 1 | Ring |



KNORR SB6-SB7

| | | |
|------------------------|---------------------------------------|-----------------------|
| ANDAC No | 0810 10440 | |
| OE Reference No | 1527631 - 1477675 - 1390427 - 1444207 | |
| Application | SB6 / SB7 | |
| Description | Caliper Repair Kit | |
| | Name | Qty. |
| 1 | T3 | 1 Guide Pin Ø36x114mm |
| 2 | C2 | 2 Screw M16x1,5x87mm |
| 3 | B2 | 1 Bush |
| 4 | S2 | 1 Metal Cap |
| 5 | K8 | 1 O-Ring |
| 6 | K9 | 1 Boot |
| 7 | P1 | 1 Ring |
| 8 | S10 | 1 Metal Cap |



| | | |
|------------------------|--------------------|----------------------|
| ANDAC No | 0810 10182 | |
| OE Reference No | | |
| Application | SB7 | |
| Description | Caliper Repair Kit | |
| | Name | Qty. |
| 1 | T6 | 1 Guide Pin Ø34x80mm |
| 2 | C2 | 2 Screw M16x1,5x87mm |
| 3 | K11 | 1 Rubber Bush |
| 4 | K9 | 1 Boot |
| 5 | P1 | 1 Ring |
| 6 | K10 | 1 Boot |
| 7 | S21 | 1 Clamp |



| | | |
|------------------------|--------------------|--------------------------------------|
| ANDAC No | 0810 10211 | |
| OE Reference No | | |
| Application | SB6 / SB7 | |
| Description | Caliper Repair Kit | |
| | Name | Qty. |
| 1 | T4 | 1 Guide Pin Ø32x80mm |
| 2 | C3 | 1 Screw M16x1,5x80mm |
| 3 | K5 | 1 Metal - Rubber Bush (Long) (Ø39mm) |
| 4 | K9 | 1 Boot |
| 5 | P1 | 1 Ring |
| 6 | S10 | 1 Metal Cap |
| 7 | S1 | 1 Pin Cap |
| 8 | B2 | 1 Bush |



KNORR SB6-SB7

| | | | |
|------------------------|-------------|---------------------------|------------------------------------|
| ANDAC No | | 0810 10212 | |
| OE Reference No | | | |
| Application | | SB6 / SB7 | |
| Description | | Caliper Repair Kit | |
| | Name | Qty. | |
| 1 | T244 | 1 | Guide Pin Ø32x88mm |
| 2 | C3 | 1 | Screw M16x1,5x80mm |
| 3 | K5 | 1 | Metal - Rubber Bush (Long) (Ø39mm) |
| 4 | K9 | 1 | Boot |
| 5 | P1 | 1 | Ring |
| 6 | S10 | 1 | Metal Cap |
| 7 | B2 | 1 | Bush |



| | | | |
|------------------------|-------------|---------------------------|---------------------|
| ANDAC No | | 0810 10295 | |
| OE Reference No | | K060760 - K012912 | |
| Application | | SB6 / SB7 | |
| Description | | Caliper Repair Kit | |
| | Name | Qty. | |
| 1 | T3 | 1 | Guide Pin Ø36x114mm |
| 2 | C2 | 1 | Screw M16x1.5x87mm |
| 3 | T4 | 1 | Guide Pin Ø32x80mm |
| 4 | C3 | 1 | Screw M16x1.5x80mm |
| 5 | S17 | 1 | Pad Retainer (20mm) |
| 6 | S18 | 1 | Washer |
| 7 | S19 | 1 | Cotter Pin |
| 8 | S10 | 1 | Metal Tap |
| 9 | T20 | 1 | Calibration Loaf |
| 10 | T9 | 1 | Detent Pin |
| 11 | P1 | 1 | Ring |
| 12 | K12 | 1 | Rubber Cap (Ø38mm) |



KNORR SB6-SB7

| ANDAC No | | 0810 10296 | |
|-----------------|------|---------------------|--|
| OE Reference No | | K060760 - K012912 | |
| Application | | SB6 / SB7 | |
| Description | | Caliper Repair Kit | |
| Name | Qty. | | |
| 1 T3 | 1 | Guide Pin Ø36x114mm | |
| 2 C2 | 1 | Screw M16x1.5x87mm | |
| 3 T244 | 1 | Guide Pin Ø32x88mm | |
| 4 C3 | 1 | Screw M16x1.5x80mm | |
| 5 S2 | 1 | Metal Cap | |
| 6 K8 | 1 | O-Ring | |
| 7 S17 | 1 | Pad Retainer (20mm) | |
| 8 S18 | 1 | Washer | |
| 9 S19 | 1 | Cotter Pin | |
| 10 T20 | 1 | Calibration Loaf | |
| 11 T9 | 1 | Detent Pin | |
| 12 P1 | 1 | Ring | |
| 13 K12 | 1 | Rubber Cap (Ø38mm) | |



| ANDAC No | | 0810 10297 | |
|-----------------|------|---------------------|--|
| OE Reference No | | K006018 | |
| Application | | SB6 / SB7 | |
| Description | | Caliper Repair Kit | |
| Name | Qty. | | |
| 1 T3 | 1 | Guide Pin Ø36x114mm | |
| 2 C2 | 1 | Screw M16x1.5x87mm | |
| 3 T4 | 1 | Guide Pin Ø32x80 | |
| 4 C3 | 1 | Screw M16x1.5x80mm | |
| 5 S97 | 1 | Metal Cap | |
| 6 S1 | 1 | Pin Cap | |
| 7 S17 | 1 | Pad Retainer (20mm) | |
| 8 S18 | 1 | Washer | |
| 9 S19 | 1 | Cotter Pin | |
| 10 T9 | 1 | Detent Pin | |
| 11 P1 | 1 | Ring | |
| 12 K12 | 1 | Rubber Cap (Ø38mm) | |



KNORR SB6-SB7

| | | | |
|------------------------|-------------|--------------------|---------------------|
| ANDAC No | | 0810 10298 | |
| OE Reference No | | K048276 | |
| Application | | SB7 | |
| Description | | Caliper Repair Kit | |
| | Name | Qty. | |
| 1 | T3 | 1 | Guide Pin Ø36x114mm |
| 2 | C2 | 1 | Screw M16x1.5x87mm |
| 3 | T4 | 1 | Guide Pin Ø32x80 |
| 4 | C3 | 1 | Screw M16x1.5x80mm |
| 5 | S2 | 1 | Metal Cap |
| 6 | K8 | 1 | O-Ring |
| 7 | S17 | 1 | Pad Retainer (20mm) |
| 8 | S18 | 1 | Washer |
| 9 | S19 | 1 | Cotter Pin |
| 10 | T20 | 1 | Calibration Loaf |
| 11 | T9 | 1 | Detent Pin |
| 12 | P1 | 1 | Ring |
| 13 | K12 | 1 | Rubber Cap (Ø38mm) |



| | | | |
|------------------------|-------------|--------------------|------------------------|
| ANDAC No | | 0810 10258 | |
| OE Reference No | | | |
| Application | | SB6 / SB7 | |
| Description | | Caliper Repair Kit | |
| | Name | Qty. | |
| 1 | K3T2 | 2 | Tappet and Boot (74mm) |
| 2 | B1 | 2 | Bush |
| 3 | K4 | 2 | Dust Cover |
| 4 | K9 | 1 | Boot |
| 5 | P1 | 1 | Ring |
| 6 | K10 | 1 | Boot |
| 7 | S21 | 1 | Clamp |
| 8 | K11 | 1 | Rubber Bush |
| 9 | K12 | 1 | Rubber Cap (Ø38mm) |
| 10 | K15 | 1 | Rubber Tap |
| 11 | K111 | 1 | Seal |
| 12 | K57 | 1 | Cover Gasket |
| 13 | K77 | 1 | Dust Cover |
| 14 | Y3 | 1 | Spring |



KNORR SB6-SB7

| ANDAC No | | 0810 10229 | |
|-----------------|------|------------------------|--|
| OE Reference No | | | |
| Application | | SB6 / SB7 | |
| Description | | Caliper Repair Kit | |
| Name | Qty. | | |
| 1 K3T2 | 2 | Tappet and Boot (74mm) | |
| 2 B1 | 2 | Bush | |
| 3 K4 | 2 | Dust Cover | |
| 4 S1 | 1 | Pin Cap | |
| 5 K9 | 1 | Boot | |
| 6 P1 | 1 | Ring | |
| 7 K10 | 1 | Boot | |
| 8 S21 | 1 | Clamp | |
| 9 K11 | 1 | Rubber Bush | |
| 10 K12 | 1 | Rubber Cap (Ø38mm) | |
| 11 S2 | 1 | Metal Cap | |
| 12 K8 | 1 | O-Ring | |
| 13 B2 | 1 | Bush | |



| ANDAC No | | 0810 10309 | |
|-----------------|------|------------------------|--|
| OE Reference No | | | |
| Application | | SB6 / SB7 | |
| Description | | Caliper Repair Kit | |
| Name | Qty. | | |
| 1 K3T2 | 2 | Tappet and Boot (74mm) | |
| 2 B1 | 2 | Bush | |
| 3 K9 | 1 | Boot | |
| 4 P1 | 1 | Ring | |
| 5 K10 | 1 | Boot | |
| 6 S21 | 1 | Clamp | |
| 7 K11 | 1 | Rubber Bush | |



| ANDAC No | | 0810 10186 | |
|-----------------|------|-------------------------------------|--|
| OE Reference No | | II368470064 - II339830064 - 1448910 | |
| Application | | SB6 / SB7 | |
| Description | | Caliper Repair Kit | |
| Name | Qty. | | |
| 1 T6 | 1 | Guide Pin Ø34X80mm | |
| 2 C2 | 1 | Screw M16x1,5x87mm | |
| 3 K11 | 1 | Rubber Bush | |



KNORR SB6-SB7

| | | | |
|------------------------|-------------|---------------------------|--------------------|
| ANDAC No | | 0810 10187 | |
| OE Reference No | | | |
| Application | | SB6 / SB7 | |
| Description | | Caliper Repair Kit | |
| | Name | Qty. | |
| 1 | T6 | 1 | Guide Pin Ø34x80mm |
| 2 | K11 | 1 | Rubber Bush |



| | | | |
|------------------------|-------------|---------------------------|-----------------------------------|
| ANDAC No | | 0810 10215 | |
| OE Reference No | | K000697 | |
| Application | | SB6 / SB7 | |
| Description | | Caliper Repair Kit | |
| | Name | Qty. | |
| 1 | T4 | 1 | Guide Pin Ø32x80mm |
| 2 | C3 | 1 | Screw M16x1,5x80mm |
| 3 | K5 | 1 | Metal - Rubber Bush (Long) (39mm) |
| 4 | S1 | 1 | Pin Cap |



| | | | |
|------------------------|-------------|---------------------------|-----------------------------------|
| ANDAC No | | 0810 10216 | |
| OE Reference No | | K000697 | |
| Application | | SB6 / SB7 | |
| Description | | Caliper Repair Kit | |
| | Name | Qty. | |
| 1 | T244 | 1 | Guide Pin Ø32x88mm |
| 2 | C3 | 1 | Screw M16x1,5x80mm |
| 3 | K5 | 1 | Metal - Rubber Bush (Long) (39mm) |



| | | | |
|------------------------|-------------|---------------------------|-----------------------------------|
| ANDAC No | | 0810 10217 | |
| OE Reference No | | K000698 | |
| Application | | SB6 / SB7 | |
| Description | | Caliper Repair Kit | |
| | Name | Qty. | |
| 1 | T4 | 1 | Guide Pin Ø32x80mm |
| 2 | C3 | 1 | Screw M16x1,5x80mm |
| 3 | K6 | 1 | Metal - Rubber Bush (Long) (35mm) |
| 4 | S1 | 1 | Pin Cap |



KNORR SB6-SB7

| | | | |
|------------------------|--------------------|-------------|-----------------------------------|
| ANDAC No | 0810 10218 | | |
| OE Reference No | K000698 | | |
| Application | SB6 / SB7 | | |
| Description | Caliper Repair Kit | | |
| | Name | Qty. | |
| 1 | T244 | 1 | Guide Pin Ø32x88mm |
| 2 | C3 | 1 | Screw M16x1,5x80mm |
| 3 | K6 | 1 | Metal - Rubber Bush (Long) (35mm) |



| | | | |
|------------------------|--------------------|-------------|-----------------------------------|
| ANDAC No | 0810 10219 | | |
| OE Reference No | | | |
| Application | SB6 / SB7 | | |
| Description | Caliper Repair Kit | | |
| | Name | Qty. | |
| 1 | T4 | 1 | Guide Pin Ø32x80mm |
| 2 | K5 | 1 | Metal - Rubber Bush (Long) (39mm) |
| 3 | S1 | 1 | Pin Cap |



| | | | |
|------------------------|--------------------|-------------|-----------------------------------|
| ANDAC No | 0810 10220 | | |
| OE Reference No | | | |
| Application | SB6 / SB7 | | |
| Description | Caliper Repair Kit | | |
| | Name | Qty. | |
| 1 | T244 | 1 | Guide Pin Ø32x88mm |
| 2 | K5 | 1 | Metal - Rubber Bush (Long) (39mm) |



| | | | |
|------------------------|--------------------|-------------|-----------------------------------|
| ANDAC No | 0810 10221 | | |
| OE Reference No | K000698 | | |
| Application | SB6 / SB7 | | |
| Description | Caliper Repair Kit | | |
| | Name | Qty. | |
| 1 | T4 | 1 | Guide Pin Ø32x80mm |
| 2 | K6 | 1 | Metal - Rubber Bush (Long) (35mm) |
| 3 | S1 | 1 | Pin Cap |



KNORR SB6-SB7

| | | |
|------------------------|-----------------------------------|-------------|
| ANDAC No | 0810 10222 | |
| OE Reference No | | |
| Application | SB6 / SB7 | |
| Description | Caliper Repair Kit | |
| | Name | Qty. |
| 1 | T244 | 1 |
| | Guide Pin Ø32x88mm | |
| 2 | K6 | 1 |
| | Metal - Rubber Bush (Long) (35mm) | |



| | | |
|------------------------|------------------------------------|-------------|
| ANDAC No | 0810 10223 | |
| OE Reference No | | |
| Application | SB6 / SB7 | |
| Description | Caliper Repair Kit | |
| | Name | Qty. |
| 1 | T4 | 1 |
| | Guide Pin Ø32x80mm | |
| 2 | C3 | 1 |
| | Screw M16x1,5x80mm | |
| 3 | K7 | 1 |
| | Metal - Rubber Bush (Short) (39mm) | |



| | | |
|------------------------|------------------------------------|-------------|
| ANDAC No | 0810 10224 | |
| OE Reference No | K000697 | |
| Application | SB6 / SB7 | |
| Description | Caliper Repair Kit | |
| | Name | Qty. |
| 1 | T4 | 1 |
| | Guide Pin Ø32x80mm | |
| 2 | K7 | 1 |
| | Metal - Rubber Bush (Short) (39mm) | |



| | | |
|------------------------|------------------------------------|-------------|
| ANDAC No | 0810 10302 | |
| OE Reference No | | |
| Application | SB6 / SB7 | |
| Description | Caliper Repair Kit | |
| | Name | Qty. |
| 1 | T4 | 1 |
| | Guide Pin Ø32x80mm | |
| 2 | C3 | 1 |
| | Screw M16x1,5x80mm | |
| 3 | K113 | 1 |
| | Metal - Rubber Bush (Short) (35mm) | |

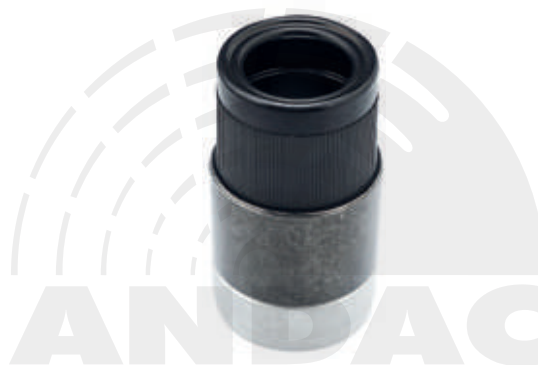


KNORR SB6-SB7

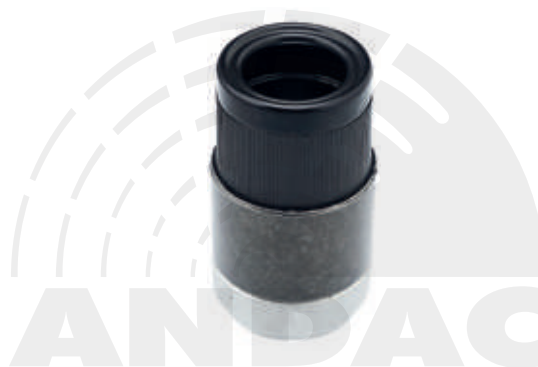
| | | | |
|------------------------|-------------|--------------------|------------------------------------|
| ANDAC No | | 0810 10326 | |
| OE Reference No | | K000698 | |
| Application | | SB6 / SB7 | |
| Description | | Caliper Repair Kit | |
| | Name | Qty. | |
| 1 | T4 | 1 | Guide Pin Ø32x80mm |
| 2 | K113 | 1 | Metal - Rubber Bush (Short) (35mm) |



| | | | |
|------------------------|-------------|---------------------------|-----------------------------------|
| ANDAC No | | 0810 10225 | |
| OE Reference No | | | |
| Application | | SB6 / SB7 | |
| Description | | Caliper Metal Rubber Bush | |
| | Name | Qty. | |
| 1 | K5 | 1 | Metal - Rubber Bush (Long) (39mm) |



| | | | |
|------------------------|-------------|---------------------------|-----------------------------------|
| ANDAC No | | 0810 10226 | |
| OE Reference No | | | |
| Application | | SB6 / SB7 | |
| Description | | Caliper Metal Rubber Bush | |
| | Name | Qty. | |
| 1 | K6 | 1 | Metal - Rubber Bush (Long) (35mm) |



| | | | |
|------------------------|-------------|---------------------------|------------------------------------|
| ANDAC No | | 0810 10227 | |
| OE Reference No | | | |
| Application | | SB6 / SB7 | |
| Description | | Caliper Metal Rubber Bush | |
| | Name | Qty. | |
| 1 | K7 | 1 | Metal - Rubber Bush (Short) (39mm) |



KNORR SB6-SB7

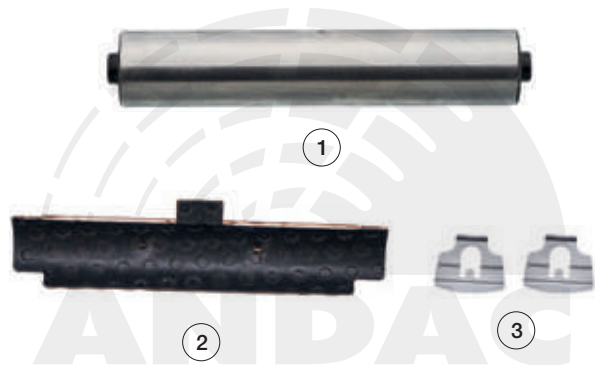
| | | |
|------------------------|------------------------------------|-------------|
| ANDAC No | 0810 10307 | |
| OE Reference No | | |
| Application | SB6 / SB7 | |
| Description | Caliper Metal Rubber Bush | |
| | Name | Qty. |
| 1 | K113 | 1 |
| | Metal - Rubber Bush (Short) (35mm) | |
| | | |
| | | |



| | | |
|------------------------|-----------------------------|-------------|
| ANDAC No | 0810 10228 | |
| OE Reference No | | |
| Application | SB6 / SB7 | |
| Description | Caliper Metal Rubber Bush | |
| | Name | Qty. |
| 1 | K39 | 1 |
| | Metal - Rubber Bush (Short) | |
| | | |
| | | |



| | | |
|------------------------|---------------------------|-------------|
| ANDAC No | 0810 10260 | |
| OE Reference No | | |
| Application | SB6 / SB7 | |
| Description | Caliper Lever Bearing Kit | |
| | Name | Qty. |
| 1 | T200 | 1 |
| 2 | S20 | 1 |
| 3 | S61 | 2 |
| | Lever Pin | |
| | Lever Bearing | |
| | Metal Sheet | |
| | | |
| | | |



| | | |
|------------------------|-----------------------|-------------|
| ANDAC No | 0810 10237 | |
| OE Reference No | | |
| Application | SB6 / SB7 | |
| Description | Caliper Lever Bearing | |
| | Name | Qty. |
| 1 | S20 | 1 |
| | Lever Bearing | |
| | | |
| | | |



KNORR SB6-SB7

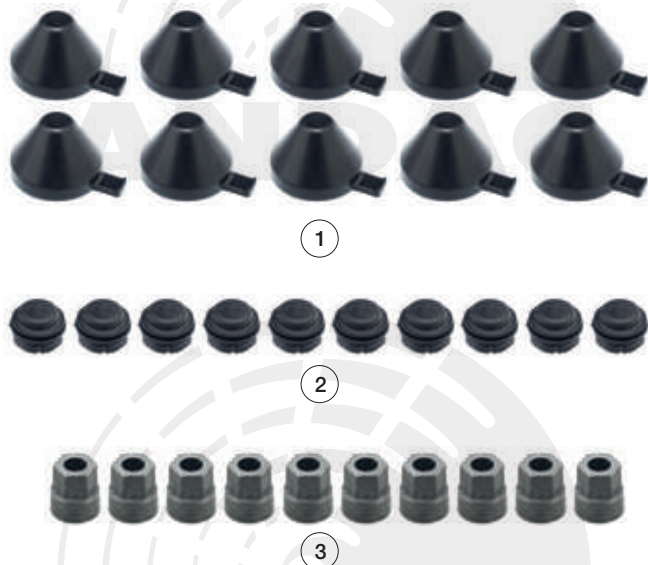
| | | | |
|------------------------|-----------------------|-------------|-----------|
| ANDAC No | 0810 10230 | | |
| OE Reference No | K001301 - 81508226025 | | |
| Application | SB6 / SB7 | | |
| Description | Caliper Repair Kit | | |
| | Name | Qty. | |
| 1 | S2 | 6 | Metal Cap |
| 2 | K8 | 6 | O-Ring |
| 3 | K10 | 6 | Boot |
| 4 | S21 | 6 | Clamp |



| | | | |
|------------------------|---------------------------|-------------|-----------|
| ANDAC No | 0810 10231 | | |
| OE Reference No | I139769F0063 - 3434380600 | | |
| Application | SB6 / SB7 | | |
| Description | Caliper Repair Kit | | |
| | Name | Qty. | |
| 1 | S2 | 1 | Metal Cap |
| 2 | K8 | 1 | O-Ring |

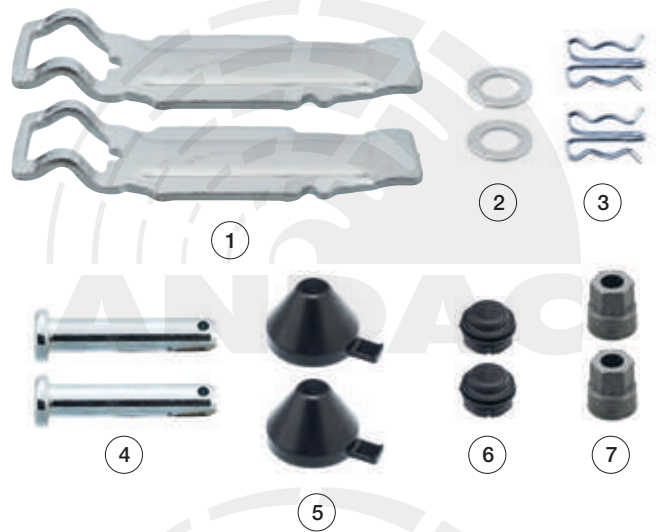


| | | | |
|------------------------|---|-------------|--------------------|
| ANDAC No | 0810 10232 | | |
| OE Reference No | K000945 - I117934004 - 81508226024 - 14394993 | | |
| Application | SB6 / SB7 | | |
| Description | Caliper Adjusting Mechanism Cap Set | | |
| | Name | Qty. | |
| 1 | K12 | 10 | Rubber Cap (Ø38mm) |
| 2 | K15 | 10 | Rubber Tap |
| 3 | T20 | 10 | Calibration Loaf |

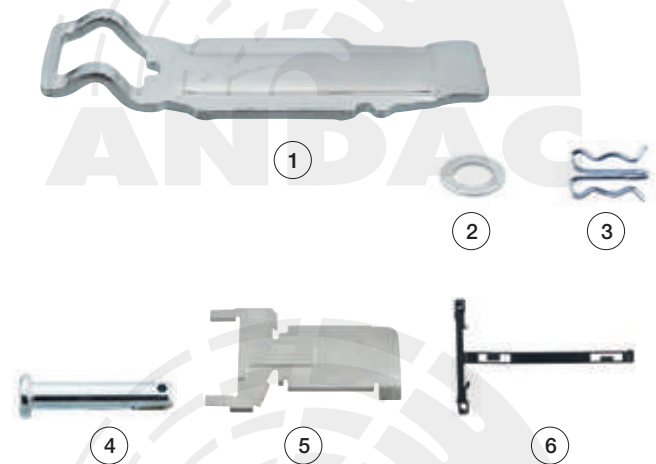


KNORR SB6-SB7

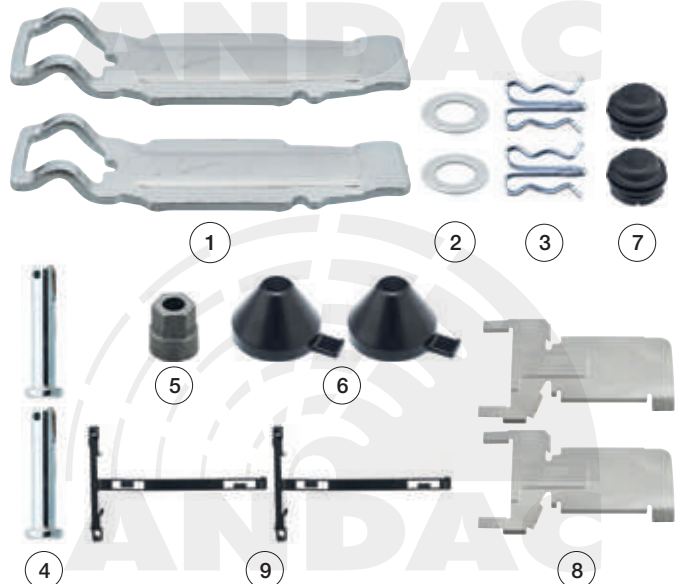
| | | | |
|------------------------|-------------|---------------------------------|---------------------|
| ANDAC No | | 0810 10310 | |
| OE Reference No | | | |
| Application | | SB7 | |
| Description | | Caliper Pad Retainer Kit | |
| | Name | Qty. | |
| 1 | S17 | 2 | Pad Retainer (20mm) |
| 2 | S18 | 2 | Washer |
| 3 | S19 | 2 | Cotter Pin |
| 4 | T9 | 2 | Detent Pin |
| 5 | K12 | 2 | Rubber Cap (Ø38mm) |
| 6 | K15 | 2 | Rubber Tap |
| 7 | T20 | 2 | Calibration Loaf |



| | | | |
|------------------------|-------------|---------------------------------|----------------------------|
| ANDAC No | | 0810 10948 | |
| OE Reference No | | K000884 | |
| Application | | SB7 | |
| Description | | Caliper Pad Retainer Kit | |
| | Name | Qty. | |
| 1 | S17 | 1 | Pad Retainer (20mm) |
| 2 | S18 | 1 | Washer |
| 3 | S19 | 1 | Cotter Pin |
| 4 | T9 | 1 | Detent Pin |
| 5 | S261 | 1 | Pad Protection Metal Sheet |
| 6 | P98 | 1 | Pad Cable Retainer |



| | | | |
|------------------------|-------------|---------------------------------|----------------------------|
| ANDAC No | | 0810 10949 | |
| OE Reference No | | K002311 | |
| Application | | SB7 | |
| Description | | Caliper Pad Retainer Kit | |
| | Name | Qty. | |
| 1 | S17 | 2 | Pad Retainer (20mm) |
| 2 | S18 | 2 | Washer |
| 3 | S19 | 2 | Cotter Pin |
| 4 | T9 | 2 | Detent Pin |
| 5 | T20 | 1 | Calibration Loaf |
| 6 | K12 | 2 | Rubber Cap (Ø38mm) |
| 7 | K15 | 2 | Rubber Tap |
| 8 | S261 | 2 | Pad Protection Metal Sheet |
| 9 | P98 | 2 | Pad Cable Retainer |

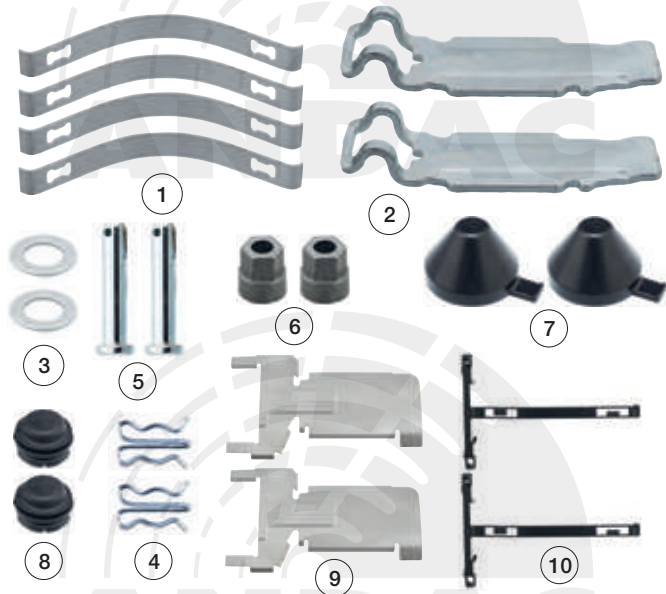


KNORR SB6-SB7

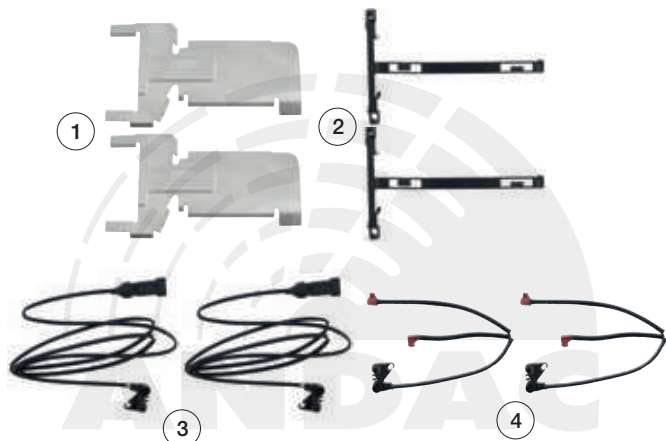
| ANDAC No | | 0810 10950 | |
|-----------------|------|----------------------------|--|
| OE Reference No | | | |
| Application | | SB6 | |
| Description | | Caliper Pad Retainer Kit | |
| Name | Qty. | | |
| 1 S92 | 1 | Pad Retainer (25mm) | |
| 2 S18 | 1 | Washer | |
| 3 S19 | 1 | Cotter Pin | |
| 4 T9 | 1 | Detent Pin | |
| 5 S261 | 1 | Pad Protection Metal Sheet | |
| 6 P98 | 1 | Pad Cable Retainer | |



| ANDAC No | | 0810 10951 | |
|-----------------|------|----------------------------|--|
| OE Reference No | | | |
| Application | | SB6 | |
| Description | | Caliper Pad Retainer Kit | |
| Name | Qty. | | |
| 1 S164 | 4 | Retention Spring | |
| 2 S92 | 2 | Pad Retainer (25mm) | |
| 3 S18 | 2 | Washer | |
| 4 S19 | 2 | Cotter Pin | |
| 5 T9 | 2 | Detent Pin | |
| 6 T20 | 2 | Calibration Loaf | |
| 7 K12 | 2 | Rubber Cap (Ø38mm) | |
| 8 K15 | 2 | Rubber Tap | |
| 9 S261 | 2 | Pad Protection Metal Sheet | |
| 10 P98 | 2 | Pad Cable Retainer | |

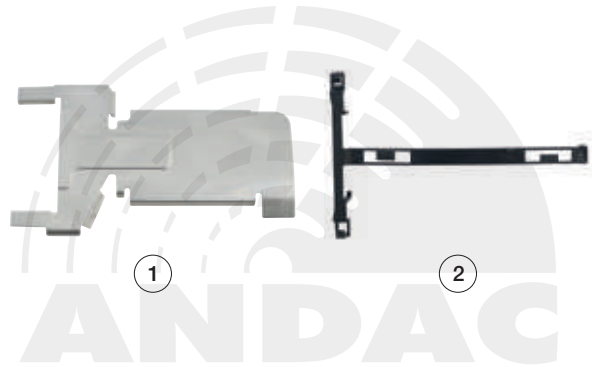


| ANDAC No | | 0810 10501 | |
|-----------------|------|---|--|
| OE Reference No | | 3424200400 - 3424200600 - 3424203300 - K000684 | |
| Application | | SB6 / SB7 | |
| Description | | Caliper Pad Retainer Kit | |
| Name | Qty. | | |
| 1 S261 | 2 | Pad Protection Metal Sheet | |
| 2 P98 | 2 | Pad Cable Retainer | |
| 3 KB0018 | 2 | Wear Indicator Cable (Long) | |
| 4 KB0019 | 2 | Wear Indicator Cable (Short) | |

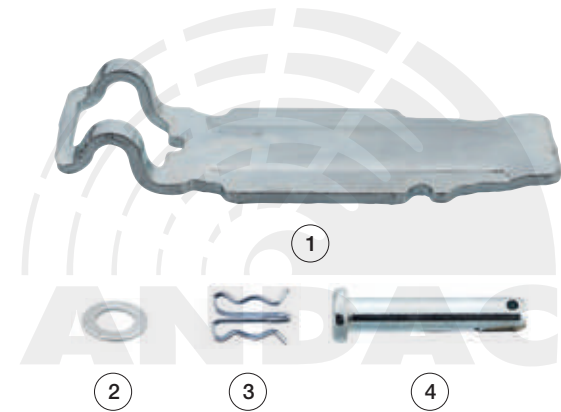


KNORR SB6-SB7

| | | | |
|------------------------|-------------|---------------------------------|----------------------------|
| ANDAC No | | 0810 10952 | |
| OE Reference No | | | |
| Application | | SB6 / SB7 | |
| Description | | Caliper Pad Retainer Kit | |
| | Name | Qty. | |
| 1 | S261 | 1 | Pad Protection Metal Sheet |
| 2 | P98 | 1 | Pad Cable Retainer |



| | | | |
|------------------------|-------------|---------------------------------|---------------------|
| ANDAC No | | 0810 10311 | |
| OE Reference No | | K000133 | |
| Application | | SB6 / SB7 | |
| Description | | Caliper Pad Retainer Kit | |
| | Name | Qty. | |
| 1 | S92 | 1 | Pad Retainer (25mm) |
| 2 | S18 | 1 | Washer |
| 3 | S19 | 1 | Cotter Pin |
| 4 | T9 | 1 | Detent Pin |

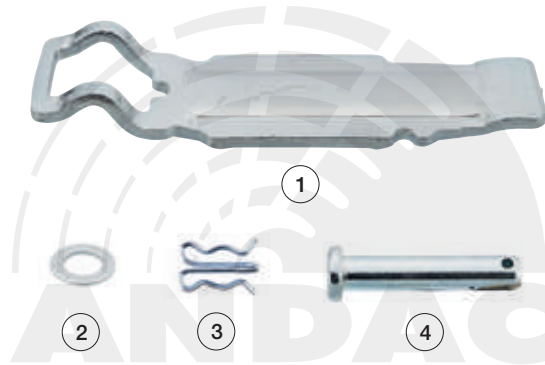


| | | | |
|------------------------|-------------|---------------------------------|--------------------|
| ANDAC No | | 0810 10235 | |
| OE Reference No | | | |
| Application | | SB7 | |
| Description | | Caliper Pad Retainer Kit | |
| | Name | Qty. | |
| 1 | K12 | 2 | Rubber Cap (Ø38mm) |
| 2 | S18 | 2 | Washer |
| 3 | S19 | 2 | Cotter Pin |
| 4 | T9 | 2 | Detent Pin |
| 5 | K15 | 2 | Rubber Tap |
| 6 | T20 | 2 | Calibration Loaf |



KNORR SB6-SB7

| | | | |
|------------------------|--|-------------|---------------------|
| ANDAC No | 0810 10236 | | |
| OE Reference No | 1I19712004 - K000129 - 6274200186 - 0004202482 | | |
| Application | SB6 / SB7 | | |
| Description | Caliper Pad Retainer Kit | | |
| | Name | Qty. | |
| 1 | S17 | 1 | Pad Retainer (20mm) |
| 2 | S18 | 1 | Washer |
| 3 | S19 | 1 | Cotter Pin |
| 4 | T9 | 1 | Detent Pin |



| | | | |
|------------------------|--------------------|-------------|--------------------|
| ANDAC No | 0810 10313 | | |
| OE Reference No | 1I40699F | | |
| Application | SB6 / SB7 | | |
| Description | Caliper Repair Kit | | |
| | Name | Qty. | |
| 1 | K12 | 1 | Rubber Cap (Ø38mm) |
| 2 | S18 | 1 | Washer |
| 3 | S19 | 1 | Cotter Pin |
| 4 | T9 | 1 | Detent Pin |
| 5 | K8 | 1 | O-Ring |
| 6 | P1 | 1 | Ring |
| 7 | T20 | 1 | Calibration Loaf |



| | | | |
|------------------------|---------------------------|-------------|---------------------|
| ANDAC No | 0810 10347 | | |
| OE Reference No | WVA 29115 - 29116 - 29148 | | |
| Application | SB6 / SB7 | | |
| Description | Caliper Pad Retainer Kit | | |
| | Name | Qty. | |
| 1 | S17 | 2 | Pad Retainer (20mm) |
| 2 | S18 | 2 | Washer |
| 3 | S19 | 2 | Cotter Pin |
| 4 | T9 | 2 | Detent Pin |
| 5 | K12 | 2 | Rubber Cap (Ø38mm) |
| 6 | K15 | 2 | Rubber Tap |
| 7 | T20 | 2 | Calibration Loaf |
| 8 | S164 | 4 | Retention Spring |

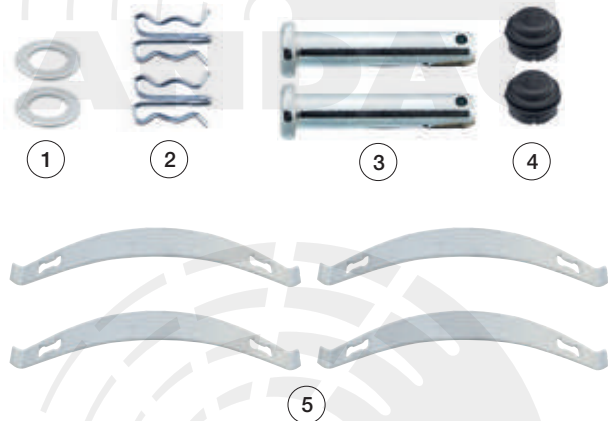


KNORR SB6-SB7

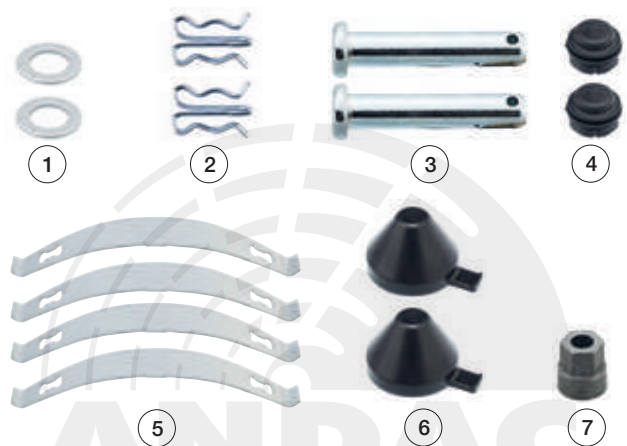
| | | | |
|------------------------|-------------|--------------------------|---------------------|
| ANDAC No | | 0810 10356 | |
| OE Reference No | | WVA 29087 | |
| Application | | SB6 / SB7 | |
| Description | | Caliper Pad Retainer Kit | |
| | Name | Qty. | |
| 1 | S92 | 2 | Pad Retainer (25mm) |
| 2 | S18 | 2 | Washer |
| 3 | S19 | 2 | Cotter Pin |
| 4 | T9 | 2 | Detent Pin |
| 5 | K12 | 2 | Rubber Cap (Ø38mm) |
| 6 | K15 | 2 | Rubber Tap |
| 7 | T20 | 2 | Calibration Loaf |
| 8 | S164 | 4 | Retention Spring |



| | | | |
|------------------------|-------------|--|------------------|
| ANDAC No | | 0810 10399 | |
| OE Reference No | | WVA29087 - 29163 - 29179 - 29105 - 29106 - 29108 - 20109 | |
| Application | | SB6 / SB7 | |
| Description | | Caliper Pad Retainer Kit | |
| | Name | Qty. | |
| 1 | S18 | 2 | Washer |
| 2 | S19 | 2 | Cotter Pin |
| 3 | T9 | 2 | Detent Pin |
| 4 | K15 | 2 | Rubber Tap |
| 5 | S200 | 4 | Retention Spring |



| | | | |
|------------------------|-------------|--|--------------------|
| ANDAC No | | 0810 10400 | |
| OE Reference No | | WVA29087 - 29163 - 29179 - 29105 - 29106 - 29108 - 20109 - K000946 | |
| Application | | SB6 / SB7 | |
| Description | | Caliper Pad Retainer Kit | |
| | Name | Qty. | |
| 1 | S18 | 2 | Washer |
| 2 | S19 | 2 | Cotter Pin |
| 3 | T9 | 2 | Detent Pin |
| 4 | K15 | 2 | Rubber Tap |
| 5 | S203 | 4 | Retention Spring |
| 6 | K12 | 2 | Rubber Cap (Ø38mm) |
| 7 | T20 | 1 | Calibration Loaf |



KNORR SB6-SB7

| | | | |
|------------------------|--------------------|-------------|-----------------------------------|
| ANDAC No | 0810 10944 | | |
| OE Reference No | K000421 | | |
| Application | SB6 / SB7 | | |
| Description | Caliper Repair Kit | | |
| | Name | Qty. | |
| 1 | T4 | 1 | Guide Pin Ø32x80mm |
| 2 | C3 | 1 | Screw M16x1,5x80mm |
| 3 | K6 | 1 | Metal - Rubber Bush (Long) (35mm) |
| 4 | S1 | 1 | Pin Cap |
| 5 | S164 | 2 | Retention Spring |



| | | | |
|------------------------|--------------------|-------------|------------------------------------|
| ANDAC No | 0810 10945 | | |
| OE Reference No | K048399K50 | | |
| Application | SB6 / SB7 | | |
| Description | Caliper Repair Kit | | |
| | Name | Qty. | |
| 1 | T4 | 1 | Guide Pin Ø32x80mm |
| 2 | C3 | 1 | Screw M16x1,5x80mm |
| 3 | K7 | 1 | Metal - Rubber Bush (Short) (39mm) |
| 4 | S164 | 2 | Retention Spring |



| | | | |
|------------------------|--------------------|-------------|------------|
| ANDAC No | 0810 10316 | | |
| OE Reference No | K047474 | | |
| Application | SB6 / SB7 | | |
| Description | Caliper Repair Kit | | |
| | Name | Qty. | |
| 1 | S18 | 1 | Washer |
| 2 | S19 | 1 | Cotter Pin |
| 3 | T9 | 1 | Detent Pin |
| 4 | K8 | 1 | O-Ring |
| 5 | P1 | 1 | Ring |



| | | | |
|------------------------|--------------------|-------------|--------------------|
| ANDAC No | 0810 10241 | | |
| OE Reference No | | | |
| Application | SB6 / SB7 | | |
| Description | Caliper Repair Kit | | |
| | Name | Qty. | |
| 1 | K12 | 1 | Rubber Cap (Ø38mm) |
| 2 | K13 | 1 | Rubber Cap (Ø35mm) |
| 3 | K15 | 1 | Rubber Tap |
| 4 | T20 | 1 | Calibration Loaf |



KNORR SB6-SB7

| | | | |
|------------------------|-------------|---------------------------|--------------------|
| ANDAC No | | 0810 10966 | |
| OE Reference No | | | |
| Application | | SB6 / SB7 | |
| Description | | Caliper Repair Kit | |
| | Name | Qty. | |
| 1 | K12 | 2 | Rubber Cap (Ø38mm) |
| 2 | T20 | 1 | Calibration Loaf |
| 3 | S18 | 2 | Washer |
| 4 | S19 | 2 | Cotter Pin |
| 5 | T9 | 2 | Detent Pin |



| | | | |
|------------------------|-------------|---------------------------|-------------|
| ANDAC No | | 0810 10183 | |
| OE Reference No | | | |
| Application | | SB6 / SB7 | |
| Description | | Caliper Repair Kit | |
| | Name | Qty. | |
| 1 | K10 | 1 | Boot |
| 2 | K11 | 1 | Rubber Bush |
| 3 | S21 | 1 | Clamp |
| 4 | K9 | 1 | Boot |
| 5 | P1 | 1 | Ring |



| | | | |
|------------------------|-------------|---------------------------|-------|
| ANDAC No | | 0810 10242 | |
| OE Reference No | | | |
| Application | | SB6 / SB7 | |
| Description | | Caliper Repair Kit | |
| | Name | Qty. | |
| 1 | S21 | 1 | Clamp |
| 2 | K9 | 1 | Boot |
| 3 | P1 | 1 | Ring |
| 4 | K10 | 1 | Boot |



| | | | |
|------------------------|-------------|---------------------------|--------------------|
| ANDAC No | | 0810 10243 | |
| OE Reference No | | | |
| Application | | SB6 / SB7 | |
| Description | | Caliper Repair Kit | |
| | Name | Qty. | |
| 1 | S21 | 1 | Clamp |
| 2 | K9 | 1 | Boot |
| 3 | P1 | 1 | Ring |
| 4 | K10 | 1 | Boot |
| 5 | K12 | 1 | Rubber Cap (Ø38mm) |



KNORR SB6-SB7

| | | | |
|------------------------|-------------|--------------------|-----------|
| ANDAC No | | 0810 10184 | |
| OE Reference No | | | |
| Application | | SB6 / SB7 | |
| Description | | Caliper Repair Kit | |
| | Name | Qty. | |
| 1 | S21 | 1 | Clamp |
| 2 | K10 | 1 | Boot |
| 3 | S2 | 1 | Metal Cap |
| 4 | K8 | 1 | O-Ring |



| | | | |
|------------------------|-------------|--------------------|-------|
| ANDAC No | | 0810 10318 | |
| OE Reference No | | I1350470063 | |
| Application | | SB7 | |
| Description | | Caliper Repair Kit | |
| | Name | Qty. | |
| 1 | S21 | 1 | Clamp |
| 2 | K10 | 1 | Boot |



| | | | |
|------------------------|-------------|---------------------------------|-------|
| ANDAC No | | 0810 10322 | |
| OE Reference No | | K561521 - K001301 - I1344730063 | |
| Application | | SB7 | |
| Description | | Caliper Repair Kit | |
| | Name | Qty. | |
| 1 | K56 | 1 | Boot |
| 2 | S21 | 1 | Clamp |



| | | | |
|------------------------|-------------|--------------------|------------|
| ANDAC No | | 0810 10292 | |
| OE Reference No | | I1197140063 | |
| Application | | SB7 | |
| Description | | Caliper Repair Kit | |
| | Name | Qty. | |
| 1 | K58 | 1 | Rubber Tap |
| 2 | S21 | 1 | Clamp |

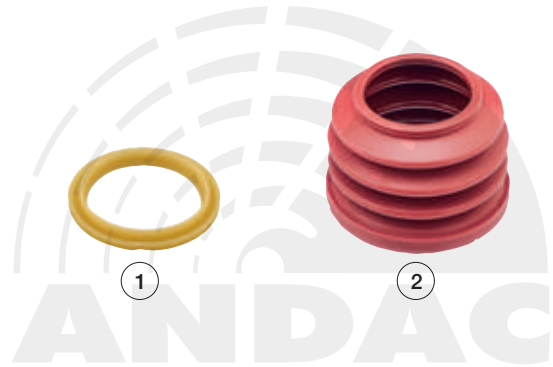


KNORR SB6-SB7

| | | | |
|------------------------|--------------------|-------------|-----------|
| ANDAC No | 0810 10185 | | |
| OE Reference No | I1328090061 | | |
| Application | SB6 / SB7 | | |
| Description | Caliper Repair Kit | | |
| | Name | Qty. | |
| 1 | P1 | 1 | Ring |
| 2 | K9 | 1 | Boot |
| 3 | S2 | 1 | Metal Cap |
| 4 | K8 | 1 | O-Ring |



| | | | |
|------------------------|---|-------------|-------------|
| ANDAC No | 0810 10244 | | |
| OE Reference No | 1448600 - 0980106330 - 42541412 - Z004357 | | |
| Application | SB6 / SB7 | | |
| Description | Caliper Repair Kit | | |
| | Name | Qty. | |
| 1 | P1 | 1 | Teflon Ring |
| 2 | K9 | 1 | Boot |



| | | | |
|------------------------|--------------------|-------------|------------|
| ANDAC No | 0810 10248 | | |
| OE Reference No | | | |
| Application | SB6 / SB7 | | |
| Description | Caliper Repair Kit | | |
| | Name | Qty. | |
| 1 | K77 | 5 | Dust Cover |



| | | | |
|------------------------|--------------------|-------------|----------------------|
| ANDAC No | 0810 10240 | | |
| OE Reference No | | | |
| Application | SB6 / SB7 | | |
| Description | Caliper Repair Kit | | |
| | Name | Qty. | |
| 1 | S10 | 10 | Metal Cap (Ø40x11mm) |



KNORR SB6-SB7

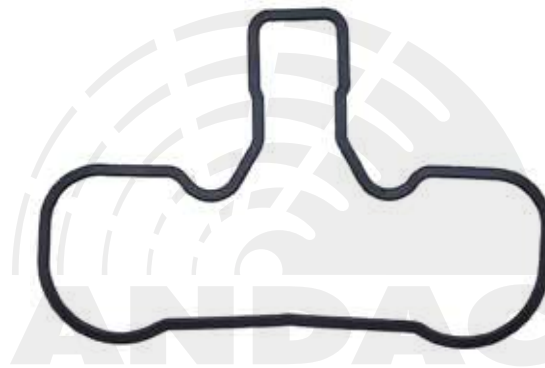
| | | | |
|--------------------|------|--------------------------------|-----------|
| ANDAC No | | 0810 10373 | |
| OE Reference No | | | |
| Application | | SB6 / SB7 | |
| Description | | Caliper Pin Protection Cap Kit | |
| | Name | Qty. | |
| 1 | P75 | 5 | Pin Cover |
| | | | |
| | | | |



| | | | |
|--------------------|------|--------------------------------|-----------|
| ANDAC No | | 0810 10374 | |
| OE Reference No | | | |
| Application | | SB6 / SB7 | |
| Description | | Caliper Pin Protection Cap Kit | |
| | Name | Qty. | |
| 1 | P76 | 5 | Pin Cover |
| | | | |
| | | | |



| | | | |
|--------------------|------|----------------------|--------------|
| ANDAC No | | 0810 10483 | |
| OE Reference No | | | |
| Application | | SB7 Radial | |
| Description | | Caliper Cover Gasket | |
| | Name | Qty. | |
| 1 | K173 | 1 | Cover Gasket |
| | | | |
| | | | |



| | | | |
|--------------------|------|--------------------|-----------------------|
| ANDAC No | | 0810 10439 | |
| OE Reference No | | | |
| Application | | SB7 Radial | |
| Description | | Brake Chamber Seal | |
| | Name | Qty. | |
| 1 | K203 | 10 | Chamber Pressure Seal |
| | | | |
| | | | |



ADB22X
ADB22XL



KNORR BREMSE
SN6-SN7-SK7



KNORR SN6-SN7-SK7

| | | |
|------------------------|----------------------------------|-------------------|
| ANDAC No | 0810 10101 | |
| OE Reference No | | |
| Application | SN6 / SN7 / SK7 | |
| Description | Caliper Tappet Repair Kit (69mm) | |
| | Name | Qty. |
| 1 | K1T1 | 1 Tappet and Boot |
| 2 | B1 | 1 Bush |



| | | |
|------------------------|----------------------------------|-------------------|
| ANDAC No | 0810 10102 | |
| OE Reference No | | |
| Application | SN6 / SN7 / SK7 | |
| Description | Caliper Tappet Repair Kit (69mm) | |
| | Name | Qty. |
| 1 | K1T1 | 1 Tappet and Boot |
| 2 | K2 | 1 Dust Cover |
| 3 | B1 | 1 Bush |



| | | |
|------------------------|----------------------------------|-------------------|
| ANDAC No | 0810 10364 | |
| OE Reference No | | |
| Application | SN6 / SN7 / SK7 | |
| Description | Caliper Tappet Repair Kit (69mm) | |
| | Name | Qty. |
| 1 | K1T1 | 1 Tappet and Boot |
| 2 | K150 | 1 Dust Cover |
| 3 | B1 | 1 Bush |



| | | |
|------------------------|--|-------------------|
| ANDAC No | 0810 10103 | |
| OE Reference No | K092079 - K001300 - K010603 - K000366 - 1689313 - 81508226031 - 0004204982 - 1756389 - 0004202382 - 802119 - 3434381400 | |
| Application | SN6 / SN7 / SK7 | |
| Description | Caliper Tappet Repair Kit (69mm) | |
| | Name | Qty. |
| 1 | K1T1 | 2 Tappet and Boot |
| 2 | K2 | 2 Dust Cover |
| 3 | B1 | 2 Bush |



KNORR SN6-SN7-SK7

| | | | |
|------------------------|---|-------------|-----------------|
| ANDAC No | 0810 10365 | | |
| OE Reference No | K092079 - K001300 - K010603 - K000366 - 1689313 - 81508226031 - 0004204982 - 1756389 - 0004202382 - 802119 - 3434381400 - K192251K50 | | |
| Application | SN6 / SN7 / SK7 | | |
| Description | Caliper Tappet Repair Kit (69mm) (Black with Clamp) | | |
| | Name | Qty. | |
| 1 | K1T1 | 2 | Tappet and Boot |
| 2 | K150 | 2 | Dust Cover |
| 3 | B1 | 2 | Bush |



| | | | |
|------------------------|----------------------------------|-------------|-----------------|
| ANDAC No | 0810 10104 | | |
| OE Reference No | | | |
| Application | SN6 / SN7 / SK7 | | |
| Description | Caliper Tappet Repair Kit (69mm) | | |
| | Name | Qty. | |
| 1 | K1T1 | 2 | Tappet and Boot |
| 2 | B1 | 2 | Bush |



| | | | |
|------------------------|-------------------|-------------|-------|
| ANDAC No | 0810 10116 | | |
| OE Reference No | | | |
| Application | SN7 / SK7 | | |
| Description | Caliper Lever | | |
| | Name | Qty. | |
| 1 | T215 | 1 | Lever |



| | | | |
|------------------------|-------------------|-------------|-------|
| ANDAC No | 0810 10117 | | |
| OE Reference No | | | |
| Application | SN7 / SK7 | | |
| Description | Caliper Lever | | |
| | Name | Qty. | |
| 1 | T216 | 1 | Lever |



KNORR SN6-SN7-SK7

| | | | |
|------------------------|-------------|-------------------|-------|
| ANDAC No | | 0810 10119 | |
| OE Reference No | | | |
| Application | | SN6 / SK7 | |
| Description | | Caliper Lever | |
| | Name | Qty. | |
| 1 | T15 | 1 | Lever |
| | | | |
| | | | |



| | | | |
|------------------------|-------------|-------------------|-------|
| ANDAC No | | 0810 10120 | |
| OE Reference No | | | |
| Application | | SN6 | |
| Description | | Caliper Lever | |
| | Name | Qty. | |
| 1 | T19 | 1 | Lever |
| | | | |
| | | | |



| | | | |
|------------------------|-------------|-------------------|-------|
| ANDAC No | | 0810 10122 | |
| OE Reference No | | | |
| Application | | SN7 / SK7 | |
| Description | | Caliper Lever | |
| | Name | Qty. | |
| 1 | T16 | 1 | Lever |
| | | | |
| | | | |



| | | | |
|------------------------|-------------|-------------------|-------|
| ANDAC No | | 0810 10123 | |
| OE Reference No | | | |
| Application | | SN7 / SK7 | |
| Description | | Caliper Lever | |
| | Name | Qty. | |
| 1 | T217 | 1 | Lever |
| | | | |
| | | | |

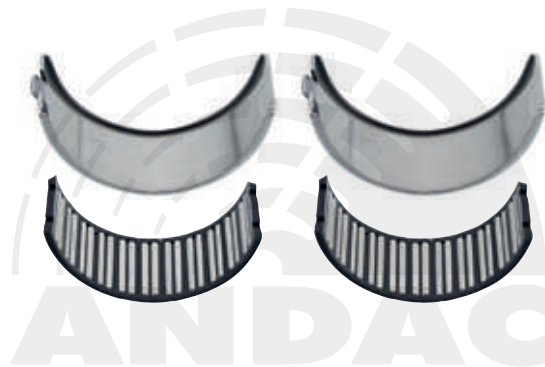


KNORR SN6-SN7-SK7

| | | | |
|--------------------|------|-------------------|-------|
| ANDAC No | | 0810 10125 | |
| OE Reference No | | | |
| Application | | SN6 / SN7 / SK7 | |
| Description | | Caliper Lever | |
| | Name | Qty. | |
| 1 | T219 | 1 | Lever |
| | | | |
| | | | |



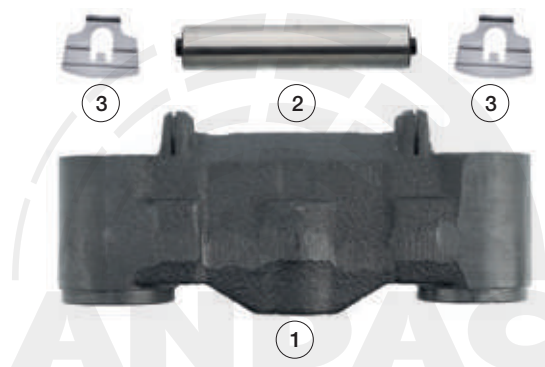
| | | | |
|--------------------|------|------------------------|----------------|
| ANDAC No | | 0810 10128 | |
| OE Reference No | | | |
| Application | | SN6 / SN7 / SK7 | |
| Description | | Caliper Roller Bearing | |
| | Name | Qty. | |
| 1 | R14 | 2 | Roller Bearing |
| | | | |
| | | | |



| | | | |
|--------------------|------|------------------------|----------------|
| ANDAC No | | 0810 10129 | |
| OE Reference No | | | |
| Application | | SN6 / SN7 / SK7 | |
| Description | | Caliper Roller Bearing | |
| | Name | Qty. | |
| 1 | R15 | 2 | Roller Bearing |
| | | | |
| | | | |

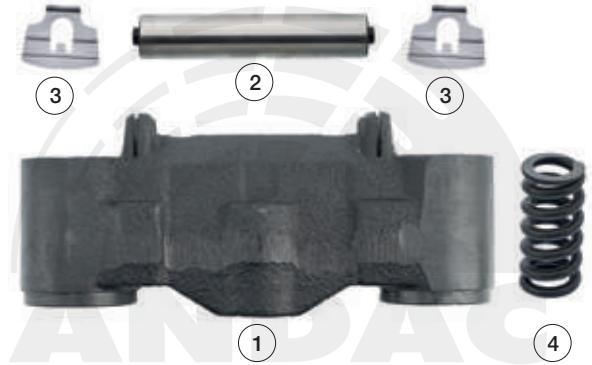


| | | | |
|--------------------|------|-------------------|---------------|
| ANDAC No | | 0810 10132 | |
| OE Reference No | | | |
| Application | | SN6 / SN7 | |
| Description | | Caliper Bridge | |
| | Name | Qty. | |
| 1 | T11 | 1 | Bridge |
| 2 | T200 | 1 | Lever Bearing |
| 3 | S61 | 2 | Metal Sheet |
| | | | |
| | | | |

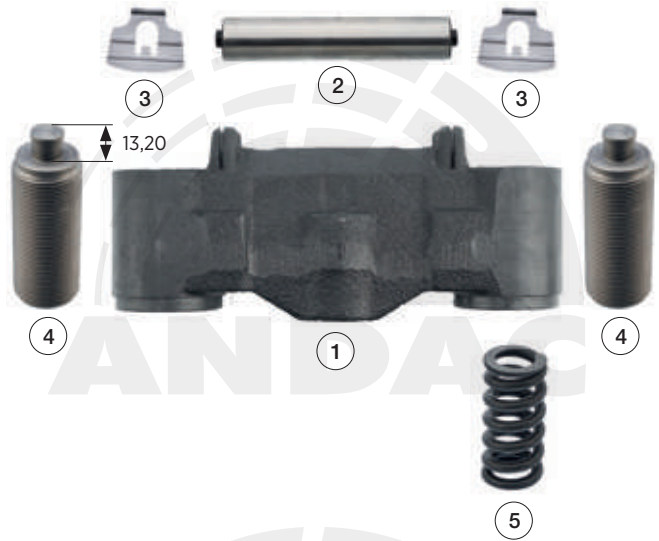


KNORR SN6-SN7-SK7

| | | |
|------------------------|-------------------|------|
| ANDAC No | 0810 10133 | |
| OE Reference No | | |
| Application | SN6 / SK7 | |
| Description | Caliper Bridge | |
| | Name | Qty. |
| 1 | T11 | 1 |
| 2 | T200 | 1 |
| 3 | S61 | 2 |
| 4 | Y3 | 1 |



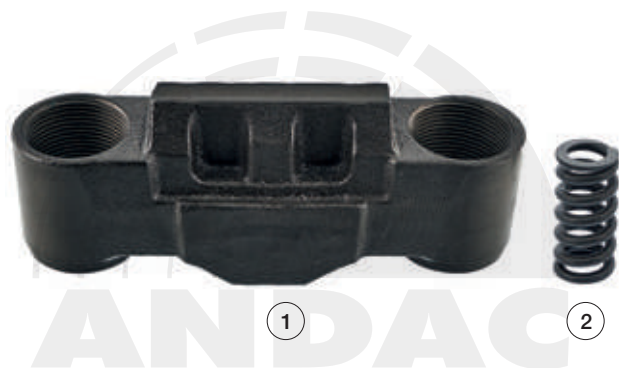
| | | |
|------------------------|-------------------------|------|
| ANDAC No | 0810 10134 | |
| OE Reference No | | |
| Application | SN6 / SN7 | |
| Description | Caliper Bridge Assembly | |
| | Name | Qty. |
| 1 | T11 | 1 |
| 2 | T200 | 1 |
| 3 | S61 | 2 |
| 4 | T14 | 2 |
| 5 | Y3 | 1 |



| | | |
|------------------------|-------------------------|------|
| ANDAC No | 0810 10140 | |
| OE Reference No | | |
| Application | SN6 / SN7 / SK7 | |
| Description | Caliper Bridge Assembly | |
| | Name | Qty. |
| 1 | T13 | 1 |



| | | |
|------------------------|-------------------|------|
| ANDAC No | 0810 10141 | |
| OE Reference No | | |
| Application | SN6 / SK7 | |
| Description | Caliper Bridge | |
| | Name | Qty. |
| 1 | T13 | 1 |
| 2 | Y3 | 1 |



KNORR SN6-SN7-SK7

| | | |
|------------------------|-------------------------|-----------------------------|
| ANDAC No | 0810 10142 | |
| OE Reference No | | |
| Application | SN7 / SK7 | |
| Description | Caliper Bridge Assembly | |
| | Name | Qty. |
| 1 | T13 | 1 Bridge |
| 2 | T14 | 2 Calibration Bolt 3 Thread |
| 3 | Y3 | 1 Spring |



| | | |
|------------------------|-----------------------------------|-----------------------------|
| ANDAC No | 0810 10147 | |
| OE Reference No | | |
| Application | SN6 / SN7 / SK7 | |
| Description | Caliper Calibration Bolt 3 Thread | |
| | Name | Qty. |
| 1 | T14 | 1 Calibration Bolt 3 Thread |



| | | |
|------------------------|-----------------------------|-----------------------|
| ANDAC No | 0810 10149 | |
| OE Reference No | | |
| Application | SN6 / SN7 / SK7 | |
| Description | Caliper Adjusting Mechanism | |
| | Name | Qty. |
| 1 | T120 | 1 Adjusting Mechanism |
| 2 | T130 | 1 Mechanism Gear |



| | | |
|------------------------|-----------------------------|-----------------------|
| ANDAC No | 0810 10345 | |
| OE Reference No | | |
| Application | SN6 / SN7 / SK7 | |
| Description | Caliper Adjusting Mechanism | |
| | Name | Qty. |
| 1 | T386 | 1 Adjusting Mechanism |
| 2 | T130 | 1 Mechanism Gear |
| 3 | T20 | 1 Calibration Loaf |



KNORR SN6-SN7-SK7

| | | | |
|------------------------|-------------|-----------------------------|---------------------|
| ANDAC No | | 0810 10151 | |
| OE Reference No | | | |
| Application | | SN6 / SN7 / SK7 | |
| Description | | Caliper Adjusting Mechanism | |
| | Name | Qty. | |
| 1 | T121 | 1 | Adjusting Mechanism |
| | | | |
| | | | |



| | | | |
|------------------------|-------------|-----------------------------|---------------------|
| ANDAC No | | 0810 10256 | |
| OE Reference No | | | |
| Application | | SN6 / SN7 / SK7 | |
| Description | | Caliper Adjusting Mechanism | |
| | Name | Qty. | |
| 1 | T50 | 1 | Adjusting Mechanism |
| | | | |
| | | | |



| | | | |
|------------------------|-------------|-----------------------------|---------------------|
| ANDAC No | | 0810 10261 | |
| OE Reference No | | | |
| Application | | SN6 / SN7 / SK7 | |
| Description | | Caliper Adjusting Mechanism | |
| | Name | Qty. | |
| 1 | T269 | 1 | Adjusting Mechanism |
| | | | |
| | | | |



| | | | |
|------------------------|-------------|-----------------------------|---------------------|
| ANDAC No | | 0810 10152 | |
| OE Reference No | | | |
| Application | | SN6 / SN7 / SK7 | |
| Description | | Caliper Adjusting Mechanism | |
| | Name | Qty. | |
| 1 | T122 | 1 | Adjusting Mechanism |
| | | | |
| | | | |

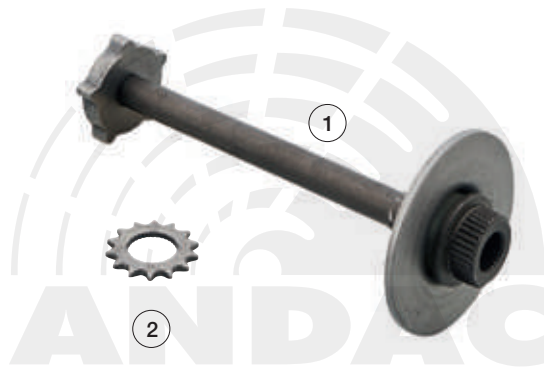


KNORR SN6-SN7-SK7

| | | | |
|--------------------|------|-----------------------------|---------------------|
| ANDAC No | | 0810 10153 | |
| OE Reference No | | | |
| Application | | SN6 / SN7 / SK7 | |
| Description | | Caliper Adjusting Mechanism | |
| | Name | Qty. | |
| 1 | T208 | 1 | Adjusting Mechanism |
| | | | |
| | | | |



| | | | |
|--------------------|------|-----------------------------|---------------------|
| ANDAC No | | 0810 10154 | |
| OE Reference No | | | |
| Application | | SN6 / SN7 / SK7 | |
| Description | | Caliper Adjusting Mechanism | |
| | Name | Qty. | |
| 1 | T209 | 1 | Adjusting Mechanism |
| 2 | T130 | 1 | Mechanism Gear |
| | | | |
| | | | |



| | | | |
|--------------------|------|-----------------------------|---------------------|
| ANDAC No | | 0810 10354 | |
| OE Reference No | | | |
| Application | | SN7 | |
| Description | | Caliper Adjusting Mechanism | |
| | Name | Qty. | |
| 1 | T343 | 1 | Adjusting Mechanism |
| 2 | T130 | 1 | Mechanism Gear |
| | | | |
| | | | |



| | | | |
|--------------------|------|------------------------|----------------|
| ANDAC No | | 0810 10238 | |
| OE Reference No | | | |
| Application | | SN6 / SN7 / SK7 | |
| Description | | Caliper Mechanism Gear | |
| | Name | Qty. | |
| 1 | T130 | 10 | Mechanism Gear |
| | | | |
| | | | |



KNORR SN6-SN7-SK7

| | | | |
|------------------------|-------------|------------------------------|------------------|
| ANDAC No | | 0810 10239 | |
| OE Reference No | | Z001548 - 802455 - S-29152-5 | |
| Application | | SN6 / SN7 / SK7 | |
| Description | | Caliper Calibration Loaf | |
| | Name | Qty. | |
| 1 | T20 | 10 | Calibration Loaf |
| | | | |
| | | | |



| | | | |
|------------------------|-------------|-------------------|-----------------------|
| ANDAC No | | 0810 10157 | |
| OE Reference No | | | |
| Application | | SN6 / SN7 / SK7 | |
| Description | | Caliper Chain | |
| | Name | Qty. | |
| 1 | T118 | 1 | Caliper Chain 29 Link |
| | | | |
| | | | |



| | | | |
|------------------------|-------------|--|--------------|
| ANDAC No | | 0810 10158 | |
| OE Reference No | | | |
| Application | | SN6 / SN7 / SK7 | |
| Description | | Caliper Sensor Cover (Without Sensor) (Open) | |
| | Name | Qty. | |
| 1 | P14 | 1 | Sensor Cover |
| | | | |
| | | | |



| | | | |
|------------------------|-------------|---|---------------------------------|
| ANDAC No | | 0810 10384 | |
| OE Reference No | | | |
| Application | | SN6 / SN7 / SK7 | |
| Description | | Caliper Sensor Cover (Without Sensor) New Version | |
| | Name | Qty. | |
| 1 | P85 | 1 | Sensor Cover (Without Sensor) |
| | | | |
| | | | |



KNORR SN6-SN7-SK7

| | | | |
|--------------------|------|--|---------------------------------|
| ANDAC No | | 0810 10293 | |
| OE Reference No | | | |
| Application | | SN6 / SN7 / SK7 | |
| Description | | Caliper Sensor Cover (Without Sensor) (Plugged) | |
| | Name | Qty. | |
| 1 | P29 | 1 | Sensor Cover (Without Sensor) |
| | | | |
| | | | |



| | | | |
|--------------------|------|-------------------------------|-------------------|
| ANDAC No | | 0810 10359 | |
| OE Reference No | | | |
| Application | | SN6 / SN7 / SK7 | |
| Description | | Caliper Sensor Cover (Flat) | |
| | Name | Qty. | |
| 1 | P71 | 1 | Sensor Flat Cover |
| | | | |
| | | | |



| | | | |
|--------------------|------|-------------------------------|-------------------|
| ANDAC No | | 0810 10429 | |
| OE Reference No | | | |
| Application | | SN6 / SN7 / SK7 | |
| Description | | Caliper Sensor Cover (Flat) | |
| | Name | Qty. | |
| 1 | P99 | 1 | Sensor Flat Cover |
| | | | |
| | | | |



| | | | |
|--------------------|------|---|--------------|
| ANDAC No | | 0810 10159 | |
| OE Reference No | | | |
| Application | | SN6 / SN7 / SK7 | |
| Description | | Caliper Sensor Cover (3 Socket - 2 Cable) | |
| | Name | Qty. | |
| 1 | P2 | 1 | Sensor Cover |
| 2 | P3 | 1 | Clip |
| | | | |
| | | | |



KNORR SN6-SN7-SK7

| | | | |
|------------------------|--|-------------|--------------|
| ANDAC No | 0810 10385 | | |
| OE Reference No | | | |
| Application | SN6 / SN7 / SK7 | | |
| Description | Caliper Sensor Cover (3 Socket - 2 Cable) New Version | | |
| | Name | Qty. | |
| 1 | P86 | 1 | Sensor Cover |
| 2 | P3 | 1 | Clip |
| | | | |
| | | | |



| | | | |
|------------------------|---|-------------|--------------|
| ANDAC No | 0810 10160 | | |
| OE Reference No | | | |
| Application | SN6 / SN7 / SK7 | | |
| Description | Caliper Sensor Cover (3 Socket - 3 Cable) Mercedes | | |
| | Name | Qty. | |
| 1 | P23 | 1 | Sensor Cover |
| 2 | P3 | 1 | Clip |
| | | | |
| | | | |



| | | | |
|------------------------|---|-------------|--------------|
| ANDAC No | 0810 10386 | | |
| OE Reference No | | | |
| Application | SN6 / SN7 / SK7 | | |
| Description | Caliper Sensor Cover (3 Socket - 3 Cable) New Version Mercedes | | |
| | Name | Qty. | |
| 1 | P87 | 1 | Sensor Cover |
| 2 | P3 | 1 | Clip |
| | | | |
| | | | |



| | | | |
|------------------------|--|-------------|--------------|
| ANDAC No | 0810 10161 | | |
| OE Reference No | | | |
| Application | SN6 / SN7 / SK7 | | |
| Description | Caliper Sensor Cover (3 Socket - 3 Cable) (MAN) | | |
| | Name | Qty. | |
| 1 | P15 | 1 | Sensor Cover |
| 2 | P3 | 1 | Clip |
| | | | |
| | | | |



KNORR SN6-SN7-SK7

| | | | |
|--------------------|------|--|--------------|
| ANDAC No | | 0810 10387 | |
| OE Reference No | | | |
| Application | | SN6 / SN7 / SK7 | |
| Description | | Caliper Sensor Cover (3 Socket - 3 Cable) New Version MAN | |
| | Name | Qty. | |
| 1 | P88 | 1 | Sensor Cover |
| 2 | P3 | 1 | Clip |



| | | | |
|--------------------|------|---------------------------------------|--------------|
| ANDAC No | | 0810 10262 | |
| OE Reference No | | | |
| Application | | SN6 / SN7 / SK7 | |
| Description | | Caliper Sensor Cover (Without Sensor) | |
| | Name | Qty. | |
| 1 | P32 | 1 | Sensor Cover |



| | | | |
|--------------------|------|--|--------------|
| ANDAC No | | 0810 10388 | |
| OE Reference No | | | |
| Application | | SN6 / SN7 / SK7 | |
| Description | | Caliper Sensor Cover (Without Sensor) New Version | |
| | Name | Qty. | |
| 1 | P89 | 1 | Sensor Cover |



| | | | |
|--------------------|------|---|--------------|
| ANDAC No | | 0810 10263 | |
| OE Reference No | | | |
| Application | | SN6 / SN7 / SK7 | |
| Description | | Caliper Sensor Cover (3 Socket - 2 Cable) | |
| | Name | Qty. | |
| 1 | P31 | 1 | Sensor Cover |
| 2 | P3 | 1 | Clip |



KNORR SN6-SN7-SK7

| | | | |
|------------------------|---|-------------|--------------|
| ANDAC No | 0810 10389 | | |
| OE Reference No | | | |
| Application | SN6 / SN7 / SK7 | | |
| Description | Caliper Sensor Cover (3 Socket - 2 Cable) (Scania) | | |
| | Name | Qty. | |
| 1 | P90 | 1 | Sensor Cover |
| 2 | P3 | 1 | Clip |
| | | | |
| | | | |



| | | | |
|------------------------|---|-------------|--------------|
| ANDAC No | 0810 10162 | | |
| OE Reference No | | | |
| Application | SN6 / SN7 / SK7 | | |
| Description | Caliper Sensor Cover (3 Socket - 3 Cable) (Scania) | | |
| | Name | Qty. | |
| 1 | P16 | 1 | Sensor Cover |
| 2 | P3 | 1 | Clip |
| | | | |
| | | | |



| | | | |
|------------------------|---|-------------|--------------|
| ANDAC No | 0810 10390 | | |
| OE Reference No | | | |
| Application | SN6 / SN7 / SK7 | | |
| Description | Caliper Sensor Cover (3 Socket - 3 Cable) New Version Scania | | |
| | Name | Qty. | |
| 1 | P91 | 1 | Sensor Cover |
| 2 | P3 | 1 | Clip |
| | | | |
| | | | |



| | | | |
|------------------------|---|-------------|-----------------|
| ANDAC No | 0810 10360 | | |
| OE Reference No | | | |
| Application | SN7 | | |
| Description | Caliper Sensor Converter (Scania to MB) | | |
| | Name | Qty. | |
| 1 | P72 | 1 | Sensor Coverter |
| | | | |
| | | | |



KNORR SN6-SN7-SK7

| | | | |
|--------------------|------|---|--------------|
| ANDAC No | | 0810 10264 | |
| OE Reference No | | | |
| Application | | SN7 | |
| Description | | Caliper Sensor Cover (3 Socket - 2 Cable) | |
| | Name | Qty. | |
| 1 | P33 | 1 | Sensor Cover |
| 2 | P21 | 1 | Sensor Pin |



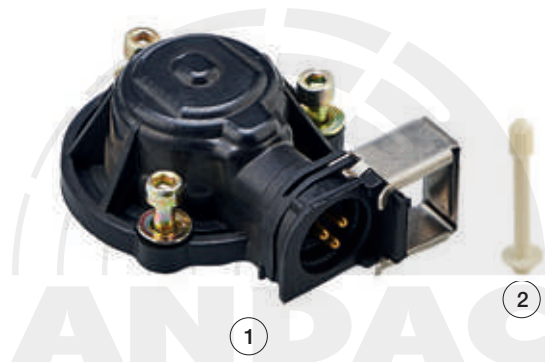
| | | | |
|--------------------|------|---|--------------|
| ANDAC No | | 0810 10163 | |
| OE Reference No | | | |
| Application | | SN7 / SK7 | |
| Description | | Caliper Sensor Cover (3 Socket - 3 Cable) | |
| | Name | Qty. | |
| 1 | P17 | 1 | Sensor Cover |
| 2 | P21 | 1 | Sensor Pin |



| | | | |
|--------------------|------|--|--------------|
| ANDAC No | | 0810 10383 | |
| OE Reference No | | | |
| Application | | SN6 / SN7 / SK7 | |
| Description | | Caliper Sensor Cover (3 Socket - 3 Cable) MAN | |
| | Name | Qty. | |
| 1 | P84 | 1 | Sensor Cover |
| 2 | P21 | 1 | Sensor Pin |
| 3 | P93 | 1 | Sensor Pin |



| | | | |
|--------------------|------|---|--------------|
| ANDAC No | | 0810 10324 | |
| OE Reference No | | | |
| Application | | SN6 / SK7 | |
| Description | | Caliper Sensor Cover (3 Socket - 2 Cable) | |
| | Name | Qty. | |
| 1 | P52 | 1 | Sensor Cover |
| 2 | P21 | 1 | Sensor Pin |



KNORR SN6-SN7-SK7

| | | | |
|------------------------|-------------|---|--------------|
| ANDAC No | | 0810 10325 | |
| OE Reference No | | | |
| Application | | SN6 / SN7 / SK7 | |
| Description | | Caliper Sensor Cover (3 Socket - 3 Cable) | |
| | Name | Qty. | |
| 1 | P53 | 1 | Sensor Cover |
| 2 | P21 | 1 | Sensor Pin |
| | | | |
| | | | |



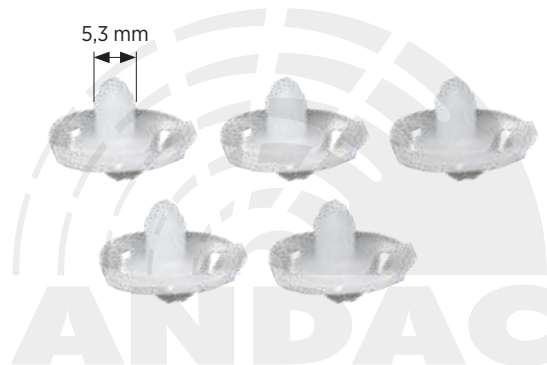
| | | | |
|------------------------|-------------|------------------------|----------------|
| ANDAC No | | 0810 10363 | |
| OE Reference No | | | |
| Application | | SN6 / SN7 / SK7 | |
| Description | | Caliper Sensor Lattice | |
| | Name | Qty. | |
| 1 | P10 | 5 | Sensor Lattice |
| | | | |
| | | | |



| | | | |
|------------------------|-------------|---------------------------|------------|
| ANDAC No | | 0810 10252 | |
| OE Reference No | | | |
| Application | | SN7 / SK7 | |
| Description | | Caliper Sensor Pin (Long) | |
| | Name | Qty. | |
| 1 | P21 | 5 | Sensor Pin |
| | | | |
| | | | |

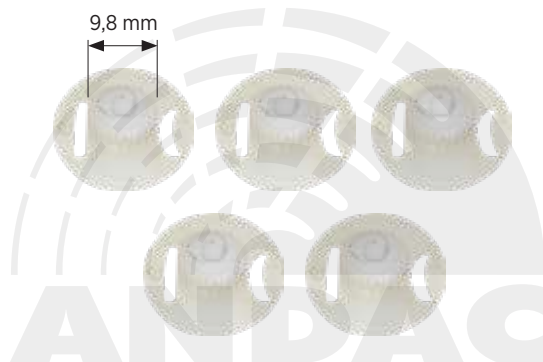


| | | | |
|------------------------|-------------|---------------------|------|
| ANDAC No | | 0810 10253 | |
| OE Reference No | | | |
| Application | | SN7 / SK7 | |
| Description | | Caliper Sensor Clip | |
| | Name | Qty. | |
| 1 | P3 | 5 | Clip |
| | | | |
| | | | |

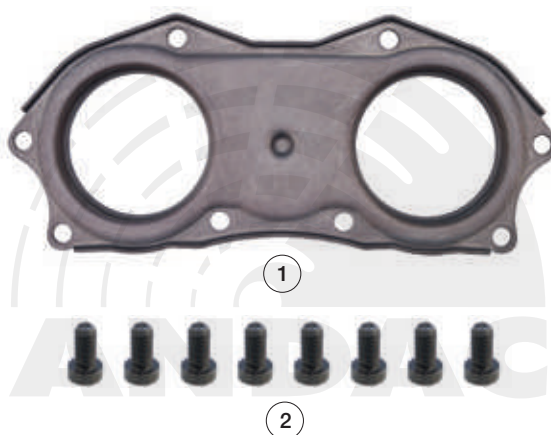


KNORR SN6-SN7-SK7

| | | | |
|------------------------|------|---------------------|------|
| ANDAC No | | 0810 10320 | |
| OE Reference No | | | |
| Application | | SN6 / SN7 / SK7 | |
| Description | | Caliper Sensor Clip | |
| | Name | Qty. | |
| 1 | P40 | 5 | Clip |
| | | | |
| | | | |



| | | | |
|------------------------|------|-------------------|-------------|
| ANDAC No | | 0810 10165 | |
| OE Reference No | | | |
| Application | | SN6 / SN7 / SK7 | |
| Description | | Caliper Cover | |
| | Name | Qty. | |
| 1 | S73 | 1 | Cover |
| 2 | C7 | 8 | Cover Screw |
| | | | |
| | | | |



| | | | |
|------------------------|------|-------------------|------------------|
| ANDAC No | | 0810 10166 | |
| OE Reference No | | | |
| Application | | SN6 / SN7 / SK7 | |
| Description | | Caliper Cover | |
| | Name | Qty. | |
| 1 | S74 | 1 | Cover |
| 2 | C7 | 6 | Cover Screw |
| 3 | C50 | 2 | Cover Side Screw |
| | | | |
| | | | |



KNORR SN6-SN7-SK7

| | | | |
|------------------------|-------------|---------------------------|---------------------------|
| ANDAC No | | 0810 10275 | |
| OE Reference No | | | |
| Application | | SN7 | |
| Description | | Caliper Repair Kit | |
| | Name | Qty. | |
| 1 | T215 | 1 | Lever |
| 2 | T11 | 1 | Bridge |
| 3 | T200 | 1 | Lever Pin |
| 4 | S61 | 2 | Metal Sheet |
| 5 | T14 | 2 | Calibration Bolt 3 Thread |
| 6 | Y3 | 1 | Spring |
| 7 | KIT1 | 2 | Tappet and Boot (69mm) |
| 8 | K2 | 2 | Dust Cover |
| 9 | B1 | 2 | Bush |
| 10 | R15 | 2 | Roller Bearing |
| 11 | T386 | 1 | Adjusting Mechanism |
| 12 | T130 | 1 | Mechanism Gear |
| 13 | T20 | 1 | Calibration Loaf |
| 14 | T121 | 1 | Adjusting Mechanism |
| 15 | T118 | 1 | Caliper Chain 29 Link |



| | | | |
|------------------------|-------------|---------------------------|---------------------------|
| ANDAC No | | 0810 10276 | |
| OE Reference No | | | |
| Application | | SN7 | |
| Description | | Caliper Repair Kit | |
| | Name | Qty. | |
| 1 | T216 | 1 | Lever |
| 2 | T13 | 1 | Bridge |
| 3 | T14 | 2 | Calibration Bolt 3 Thread |
| 4 | Y3 | 1 | Spring |
| 5 | KIT1 | 2 | Tappet and Boot (69mm) |
| 6 | K2 | 2 | Dust Cover |
| 7 | B1 | 2 | Bush |
| 8 | R15 | 2 | Roller Bearing |
| 9 | T386 | 1 | Adjusting Mechanism |
| 10 | T130 | 1 | Mechanism Gear |
| 11 | T20 | 1 | Calibration Loaf |
| 12 | T121 | 1 | Adjusting Mechanism |
| 13 | T118 | 1 | Caliper Chain 29 Link |



KNORR SN6-SN7-SK7

| ANDAC No | | 0810 10278 | |
|-----------------|------|---------------------------|--|
| OE Reference No | | | |
| Application | | SN6 | |
| Description | | Caliper Repair Kit | |
| Name | Qty. | | |
| 1 T15 | 1 | Lever | |
| 2 T11 | 1 | Bridge | |
| 3 T200 | 1 | Lever Pin | |
| 4 S61 | 2 | Metal Sheet | |
| 5 T14 | 2 | Calibration Bolt 3 Thread | |
| 6 Y3 | 1 | Spring | |
| 7 KIT1 | 2 | Tappet and Boot (69mm) | |
| 8 K2 | 2 | Dust Cover | |
| 9 B1 | 2 | Bush | |
| 10 R15 | 2 | Roller Bearing | |
| 11 T386 | 1 | Adjusting Mechanism | |
| 12 T130 | 1 | Mechanism Gear | |
| 13 T20 | 1 | Calibration Loaf | |
| 14 T121 | 1 | Adjusting Mechanism | |
| 15 T118 | 1 | Caliper Chain 29 Link | |



| ANDAC No | | 0810 10279 | |
|-----------------|------|---------------------------|--|
| OE Reference No | | | |
| Application | | SN6 | |
| Description | | Caliper Repair Kit | |
| Name | Qty. | | |
| 1 T19 | 1 | Lever | |
| 2 T13 | 1 | Bridge | |
| 3 T14 | 2 | Calibration Bolt 3 Thread | |
| 4 Y3 | 1 | Spring | |
| 5 KIT1 | 2 | Tappet and Boot (69mm) | |
| 6 K2 | 2 | Dust Cover | |
| 7 B1 | 2 | Bush | |
| 8 R15 | 2 | Roller Bearing | |
| 9 T386 | 1 | Adjusting Mechanism | |
| 10 T130 | 1 | Mechanism Gear | |
| 11 T20 | 1 | Calibration Loaf | |
| 12 T208 | 1 | Adjusting Mechanism | |
| 13 T118 | 1 | Caliper Chain 29 Link | |



KNORR SN6-SN7-SK7

| | | |
|------------------------|---------------------------|-----------------------------|
| ANDAC No | 0810 10281 | |
| OE Reference No | | |
| Application | SN7 / SK7 | |
| Description | Caliper Repair Kit | |
| | Name | Qty. |
| 1 | T16 | 1 Lever |
| 2 | T11 | 1 Bridge |
| 3 | T200 | 1 Lever Pin |
| 4 | S61 | 2 Metal Sheet |
| 5 | T14 | 2 Calibration Bolt 3 Thread |
| 6 | Y3 | 1 Spring |
| 7 | KIT1 | 2 Tappet and Boot (69mm) |
| 8 | K2 | 2 Dust Cover |
| 9 | B1 | 2 Bush |
| 10 | R15 | 2 Roller Bearing |
| 11 | T386 | 1 Adjusting Mechanism |
| 12 | T130 | 1 Mechanism Gear |
| 13 | T20 | 1 Calibration Loaf |
| 14 | T121 | 1 Adjusting Mechanism |
| 15 | T118 | 1 Caliper Chain 29 Link |



| | | |
|------------------------|---------------------------|-----------------------------|
| ANDAC No | 0810 10282 | |
| OE Reference No | | |
| Application | SN7 | |
| Description | Caliper Repair Kit | |
| | Name | Qty. |
| 1 | T217 | 1 Lever |
| 2 | T13 | 1 Bridge |
| 3 | T14 | 2 Calibration Bolt 3 Thread |
| 4 | Y3 | 1 Spring |
| 5 | KIT1 | 2 Tappet and Boot (69mm) |
| 6 | K2 | 2 Dust Cover |
| 7 | B1 | 2 Bush |
| 8 | R15 | 2 Roller Bearing |
| 9 | T386 | 1 Adjusting Mechanism |
| 10 | T130 | 1 Mechanism Gear |
| 11 | T20 | 1 Calibration Loaf |
| 12 | T208 | 1 Adjusting Mechanism |
| 13 | T118 | 1 Caliper Chain 29 Link |



KNORR SN6-SN7-SK7

| ANDAC No | | 0810 10284 | |
|-----------------|------|---------------------------|--|
| OE Reference No | | | |
| Application | | SN6 / SN7 | |
| Description | | Caliper Repair Kit | |
| Name | Qty. | | |
| 1 T219 | 1 | Lever | |
| 2 T12 | 1 | Bridge | |
| 3 T200 | 1 | Lever Pin | |
| 4 S61 | 2 | Metal Sheet | |
| 5 T14 | 2 | Calibration Bolt 3 Thread | |
| 6 Y3 | 1 | Spring | |
| 7 K3T2 | 2 | Tappet and Boot (74mm) | |
| 8 K4 | 2 | Dust Cover | |
| 9 B1 | 2 | Bush | |
| 10 R14 | 2 | Roller Bearing | |
| 11 T386 | 1 | Adjusting Mechanism | |
| 12 T130 | 1 | Mechanism Gear | |
| 13 T20 | 1 | Calibration Loaf | |
| 14 T121 | 1 | Adjusting Mechanism | |
| 15 T118 | 1 | Caliper Chain 29 Link | |



| ANDAC No | | 0810 10190 | |
|-----------------|------|------------------------------------|--|
| OE Reference No | | | |
| Application | | SN6 / SN7 / SK7 | |
| Description | | Caliper Repair Kit | |
| Name | Qty. | | |
| 1 T3 | 1 | Guide Pin Ø36x114mm | |
| 2 C2 | 1 | Screw M16x1,5x87mm | |
| 3 T4 | 1 | Guide Pin Ø32x80mm | |
| 4 C3 | 1 | Screw M16x1,5x80mm | |
| 5 KIT1 | 2 | Tappet and Boot (69mm) | |
| 6 K2 | 2 | Dust Cover | |
| 7 B1 | 2 | Bush | |
| 8 B2 | 1 | Bush | |
| 9 K5 | 1 | Metal - Rubber Bush (Long) (Ø39mm) | |
| 10 S1 | 1 | Pin Cap | |
| 11 K12 | 1 | Rubber Cap (Ø38mm) | |
| 12 K9 | 1 | Boot | |
| 13 P1 | 1 | Ring | |
| 14 S10 | 1 | Metal Tap | |
| 15 K15 | 1 | Rubber Tap | |



KNORR SN6-SN7-SK7

| ANDAC No | | 0810 10191 | |
|-----------------|------|------------------------|--|
| OE Reference No | | | |
| Application | | SK7 | |
| Description | | Caliper Repair Kit | |
| Name | Qty. | | |
| 1 T3 | 1 | Guide Pin Ø36x114mm | |
| 2 C2 | 1 | Screw M16x1,5x87mm | |
| 3 T7 | 1 | Guide Pin Ø36x64mm | |
| 4 C8 | 1 | Screw M16x1,5x70mm | |
| 5 K1T1 | 2 | Tappet and Boot (69mm) | |
| 6 K2 | 2 | Dust Cover | |
| 7 B1 | 2 | Bush | |
| 8 B2 | 1 | Bush | |
| 9 B16 | 1 | Bush (Slotted) | |
| 10 K15 | 1 | Rubber Tap | |
| 11 K12 | 1 | Rubber Cap (Ø38mm) | |
| 12 K9 | 2 | Boot | |
| 13 P1 | 2 | Ring | |
| 14 S10 | 1 | Metal Cap | |
| 15 S16 | 1 | Metal Cap | |



| ANDAC No | | 0810 10197 | |
|-----------------|------|---------------------------|--|
| OE Reference No | | K000365 - 0004202282 | |
| Application | | SN6 / SK7 | |
| Description | | Caliper Repair Kit | |
| Name | Qty. | | |
| 1 T3 | 1 | Guide Pin Ø36x114mm | |
| 2 C2 | 2 | Screw M16x1,5x87mm | |
| 3 T4 | 1 | Guide Pin Ø32x80mm | |
| 4 C3 | 1 | Screw M16x1,5x80mm | |
| 5 T6 | 1 | Guide Pin Ø34x80mm | |
| 6 B2 | 1 | Bush | |
| 7 K11 | 1 | Rubber Bush | |
| 8 K7 | 1 | Metal Rubber Bush (Ø39mm) | |
| 9 S2 | 1 | Metal Cap | |
| 10 K8 | 1 | O-Ring | |
| 11 K9 | 1 | Boot | |
| 12 P1 | 1 | Ring | |
| 13 S10 | 1 | Metal Cap | |



KNORR SN6-SN7-SK7

| ANDAC No | | 0810 10303 | |
|-----------------|------|----------------------|--------------|
| OE Reference No | | K001470 - 0004203482 | |
| Application | | SN6 / SN7 | |
| Description | | Caliper Repair Kit | |
| Name | Qty. | | |
| 1 T3 | 1 | Guide Pin | Ø36x114mm |
| 2 C2 | 2 | Screw | M16x1,5x87mm |
| 3 T4 | 1 | Guide Pin | Ø32x80mm |
| 4 C3 | 1 | Screw | M16x1,5x80mm |
| 5 T6 | 1 | Guide Pin | Ø34x80mm |
| 6 B2 | 1 | Bush | |
| 7 K11 | 1 | Rubber Bush | |
| 8 K5 | 1 | Metal Rubber Bush | (Ø35mm) |
| 9 S2 | 1 | Metal Cap | |
| 10 K8 | 1 | O-Ring | |
| 11 K9 | 1 | Boot | |
| 12 P1 | 1 | Ring | |
| 13 S10 | 1 | Metal Cap | |
| 14 S1 | 1 | Pin Cap | |



| ANDAC No | | 0810 10173 | |
|-----------------|------|---------------------|-----------------|
| OE Reference No | | K000687 - 1603326 | |
| Application | | SN6 | |
| Description | | Caliper Repair Kit | |
| Name | Qty. | | |
| 1 T5 | 1 | Guide Pin | Ø36x145mm |
| 2 C1 | 1 | Screw | M16x1,5x150mm |
| 3 T4 | 1 | Guide Pin | Ø32x80mm |
| 4 C3 | 1 | Screw | M16x1,5x80mm |
| 5 K9 | 1 | Boot | |
| 6 P1 | 1 | Ring | |
| 7 K7 | 1 | Metal - Rubber Bush | (Short) (Ø39mm) |
| 8 K10 | 1 | Boot | |
| 9 S21 | 1 | Clamp | |
| 10 B2 | 1 | Bush | |



KNORR SN6-SN7-SK7

| | | | |
|------------------------|------|--------------------|---------------------|
| ANDAC No | | 0810 10175 | |
| OE Reference No | | | |
| Application | | SN7 | |
| Description | | Caliper Repair Kit | |
| | Name | Qty. | |
| 1 | T5 | 1 | Guide Pin Ø36x145mm |
| 2 | C1 | 1 | Screw M16x1,5x150mm |
| 3 | T6 | 1 | Guide Pin Ø34x80mm |
| 4 | C2 | 1 | Screw M16x1,5x87mm |
| 5 | B2 | 1 | Bush |



| | | | |
|------------------------|------|---|-----------------------------|
| ANDAC No | | 0810 10193 | |
| OE Reference No | | K031844K50 - 1906779 - K011117 - K133158K50 | |
| Application | | SN7 | |
| Description | | Caliper Repair Kit | |
| | Name | Qty. | |
| 1 | T3 | 1 | Guide Pin Ø36x114mm |
| 2 | C2 | 1 | Screw M16x1,5x87mm |
| 3 | T213 | 1 | Guide Pin Ø32x84mm |
| 4 | C3 | 1 | Screw M16x1,5x80mm |
| 5 | K9 | 1 | Boot |
| 6 | P1 | 1 | Ring |
| 7 | B2 | 1 | Bush |
| 8 | S2 | 1 | Metal Cap |
| 9 | K8 | 1 | O-Ring |
| 10 | S10 | 1 | Metal Tap |
| 11 | K39 | 1 | Metal - Rubber Bush (Short) |
| 12 | K110 | 1 | Boot |
| 13 | P28 | 1 | Ring |
| 14 | S121 | 1 | Metal Cap |



KNORR SN6-SN7-SK7

| ANDAC No | | 0810 10402 | |
|-----------------|------|-----------------------------|--|
| OE Reference No | | 2286677 - K105599K55 | |
| Application | | SN7 | |
| Description | | Caliper Repair Kit | |
| Name | Qty. | | |
| 1 T638 | 1 | Guide Pin Ø36x114mm | |
| 2 C2 | 1 | Screw M16x1,5x87mm | |
| 3 T213 | 1 | Guide Pin Ø32x84mm | |
| 4 C3 | 1 | Screw M16x1,5x80mm | |
| 5 K9 | 1 | Boot | |
| 6 P1 | 1 | Ring | |
| 7 B2 | 1 | Bush | |
| 8 S2 | 1 | Metal Cap | |
| 9 K8 | 1 | O-Ring | |
| 10 S10 | 1 | Metal Tap | |
| 11 K39 | 1 | Metal - Rubber Bush (Short) | |
| 12 K110 | 1 | Boot | |
| 13 P28 | 1 | Ring | |
| 14 S121 | 1 | Metal Cap | |



| ANDAC No | | 0810 10192 | |
|-----------------|------|------------------------------------|--|
| OE Reference No | | K067417K50 - 3434382000 - K109244 | |
| Application | | SN6 / SN7 / SK7 | |
| Description | | Caliper Repair Kit | |
| Name | Qty. | | |
| 1 T3 | 1 | Guide Pin Ø36x114mm | |
| 2 C2 | 1 | Screw M16x1,5x87mm | |
| 3 T4 | 1 | Guide Pin Ø32x80mm | |
| 4 C3 | 1 | Screw M16x1,5x80mm | |
| 5 S2 | 1 | Metal Cap | |
| 6 K8 | 1 | O - Ring | |
| 7 K6 | 1 | Metal - Rubber Bush (Long) (Ø35mm) | |
| 8 T57 | 1 | Ring (Ø39mm) | |
| 9 S1 | 1 | Pin Cap | |
| 10 K9 | 1 | Boot | |
| 11 P1 | 1 | Ring | |
| 12 B2 | 1 | Bush | |
| 13 S10 | 1 | Metal Tap | |



KNORR SN6-SN7-SK7

| ANDAC No | | 0810 10485 | |
|-----------------|------|------------------------------------|--|
| OE Reference No | | K00472 | |
| Application | | SN6 / SN7 / SK7 | |
| Description | | Caliper Repair Kit | |
| Name | Qty. | | |
| 1 T3 | 1 | Guide Pin Ø36x114mm | |
| 2 C2 | 1 | Screw M16x1,5x87mm | |
| 3 T4 | 1 | Guide Pin Ø32x80mm | |
| 4 C3 | 1 | Screw M16x1,5x80mm | |
| 5 S2 | 1 | Metal Cap | |
| 6 K8 | 1 | O - Ring | |
| 7 K6 | 1 | Metal - Rubber Bush (Long) (Ø35mm) | |
| 8 T57 | 1 | Ring (Ø39mm) | |
| 9 S1 | 1 | Pin Cap | |
| 10 K9 | 1 | Boot | |
| 11 P1 | 1 | Ring | |
| 12 B2 | 1 | Bush | |
| 13 S10 | 1 | Metal Tap | |
| 14 K12 | 1 | Rubber Cap (Ø38mm) | |
| 15 T20 | 1 | Calibration Leaf | |



| ANDAC No | | 0810 10961 | |
|-----------------|------|------------------------------------|--|
| OE Reference No | | K001470 | |
| Application | | SN6 / SN7 | |
| Description | | Caliper Repair Kit | |
| Name | Qty. | | |
| 1 T3 | 1 | Guide Pin Ø36x114mm | |
| 2 C2 | 1 | Screw M16x1,5x87mm | |
| 3 T4 | 1 | Guide Pin Ø32x80mm | |
| 4 C3 | 1 | Screw M16x1,5x80mm | |
| 5 S2 | 1 | Metal Cap | |
| 6 K8 | 1 | O - Ring | |
| 7 K5 | 1 | Metal - Rubber Bush (Long) (Ø39mm) | |
| 8 S1 | 1 | Pin Cap | |
| 9 K9 | 1 | Boot | |
| 10 P1 | 1 | Ring | |
| 11 B2 | 1 | Bush | |
| 12 S10 | 1 | Metal Tap | |



KNORR SN6-SN7-SK7

| ANDAC No | | 0810 10983 | |
|-----------------|------|-------------------------------------|--|
| OE Reference No | | K067417K50 - 3434382000 | |
| Application | | SN6 / SN7 | |
| Description | | Caliper Repair Kit | |
| Name | Qty. | | |
| 1 T3 | 1 | Guide Pin Ø36x114mm | |
| 2 C2 | 1 | Screw M16x1,5x87mm | |
| 3 T4 | 1 | Guide Pin Ø32x80mm | |
| 4 C3 | 1 | Screw M16x1,5x80mm | |
| 5 S2 | 1 | Metal Cap | |
| 6 K8 | 1 | O - Ring | |
| 7 K6 | 1 | Metal - Rubber Bush (Long) (Ø35mm) | |
| 8 T57 | 1 | Ring (Ø35mm) | |
| 9 S1 | 1 | Pin Cap | |
| 10 K9 | 1 | Boot | |
| 11 P1 | 1 | Ring | |
| 12 B2 | 1 | Bush | |
| 13 S10 | 1 | Metal Tap | |
| 14 K7 | 1 | Metal - Rubber Bush (Short) (Ø39mm) | |



| ANDAC No | | 0810 10198 | |
|-----------------|------|--|--|
| OE Reference No | | K000472 - 42541412 - 81508226019 - 81508226034 - 1527631 - 3434381200 - 0004203482 | |
| Application | | SN6 / SN7 / SK7 | |
| Description | | Caliper Repair Kit | |
| Name | Qty. | | |
| 1 T3 | 1 | Guide Pin Ø36x114mm | |
| 2 C2 | 1 | Screw M16x1,5x87mm | |
| 3 T4 | 1 | Guide Pin Ø32x80mm | |
| 4 C3 | 1 | Screw M16x1,5x80mm | |
| 5 K5 | 1 | Metal - Rubber Bush (Long) (Ø39mm) | |
| 6 S1 | 1 | Pin Cap | |
| 7 K9 | 1 | Boot | |
| 8 P1 | 1 | Ring | |
| 9 B2 | 1 | Bush | |
| 10 S10 | 1 | Metal Tap | |



KNORR SN6-SN7-SK7

| | | |
|------------------------|----------------------------------|-------------|
| ANDAC No | 0810 10199 | |
| OE Reference No | K000472 - 42541412 - 81508226019 | |
| Application | SN6 / SN7 / SK7 | |
| Description | Caliper Repair Kit | |
| | Name | Qty. |
| 1 | T3 | 1 |
| 2 | C2 | 1 |
| 3 | T244 | 1 |
| 4 | C3 | 1 |
| 5 | K5 | 1 |
| 6 | K9 | 1 |
| 7 | P1 | 1 |
| 8 | B2 | 1 |
| 9 | S10 | 1 |



| | | |
|------------------------|----------------------|-------------|
| ANDAC No | 0810 10200 | |
| OE Reference No | K000375 - K067417K50 | |
| Application | SN6 / SN7 / SK7 | |
| Description | Caliper Repair Kit | |
| | Name | Qty. |
| 1 | T3 | 1 |
| 2 | C2 | 1 |
| 3 | T4 | 1 |
| 4 | C3 | 1 |
| 5 | S2 | 1 |
| 6 | K8 | 1 |
| 7 | S1 | 1 |
| 8 | K5 | 1 |
| 9 | K9 | 1 |
| 10 | P1 | 1 |
| 11 | B2 | 1 |



KNORR SN6-SN7-SK7

| ANDAC No | | 0810 10201 | |
|-----------------|------|------------------------------------|--|
| OE Reference No | | K000375 - K067417K50 | |
| Application | | SN6 / SN7 / SK7 | |
| Description | | Caliper Repair Kit (New Model) | |
| Name | Qty. | | |
| 1 T3 | 1 | Guide Pin Ø36x114mm | |
| 2 C2 | 1 | Screw M16x1,5x87mm | |
| 3 T244 | 1 | Guide Pin Ø32x80mm | |
| 4 C3 | 1 | Screw M16x1,5x80mm | |
| 5 S2 | 1 | Metal Cap | |
| 6 K8 | 1 | O - Ring | |
| 7 K5 | 1 | Metal - Rubber Bush (Long) (Ø39mm) | |
| 8 K9 | 1 | Boot | |
| 9 P1 | 1 | Ring | |
| 10 B2 | 1 | Bush | |



| ANDAC No | | 0810 10208 | |
|-----------------|------|--|--|
| OE Reference No | | K001915 - 1639100 - K048389K50 - 81508226037 - 81.50822-6037 - 1847716 - K126962 | |
| Application | | SN6 | |
| Description | | Caliper Repair Kit | |
| Name | Qty. | | |
| 1 T3 | 1 | Guide Pin Ø36x114mm | |
| 2 C2 | 1 | Screw M16x1,5x87mm | |
| 3 T4 | 1 | Guide Pin Ø32x80mm | |
| 4 C3 | 1 | Screw M16x1,5x80mm | |
| 5 K9 | 1 | Boot | |
| 6 P1 | 1 | Ring | |
| 7 S10 | 1 | Metal Tap | |
| 8 K7 | 1 | Metal - Rubber Bush (Short) (Ø39mm) | |
| 9 B2 | 1 | Bush | |



KNORR SN6-SN7-SK7

| | | | |
|------------------------|-------------|-------------------------|-------------------------------------|
| ANDAC No | | 0810 10304 | |
| OE Reference No | | 3434382000 - K048434K62 | |
| Application | | SN6 / SK7 | |
| Description | | Caliper Repair Kit | |
| | Name | Qty. | |
| 1 | T3 | 1 | Guide Pin Ø36x114mm |
| 2 | C2 | 1 | Screw M16x1,5x87mm |
| 3 | T4 | 1 | Guide Pin Ø32x80mm |
| 4 | C3 | 1 | Screw M16x1,5x80mm |
| 5 | S2 | 1 | Metal Cap |
| 6 | K8 | 1 | O-Ring |
| 7 | K113 | 1 | Metal - Rubber Bush (Short) (Ø35mm) |
| 8 | T57 | 1 | Ring Ø39mm |
| 9 | K9 | 1 | Boot |
| 10 | P1 | 1 | Ring |
| 11 | B2 | 1 | Bush |
| 12 | S10 | 1 | Metal Tap |



| | | | |
|------------------------|-------------|--|---------------------|
| ANDAC No | | 0810 10194 | |
| OE Reference No | | K004100 - 3434381500 - K010766 - 0004205082 - 803114 | |
| Application | | SN6 / SN7 / SK7 | |
| Description | | Caliper Repair Kit | |
| | Name | Qty. | |
| 1 | T3 | 1 | Guide Pin Ø36x114mm |
| 2 | C2 | 1 | Screw M16x1,5x87mm |
| 3 | T7 | 1 | Guide Pin Ø36x64mm |
| 4 | C8 | 1 | Screw M16x1,5x70mm |
| 5 | B2 | 1 | Bush |
| 6 | B16 | 1 | Bush (Slotted) |
| 7 | K9 | 2 | Boot |
| 8 | P1 | 2 | Ring |
| 9 | S10 | 1 | Metal Cap |
| 10 | S16 | 1 | Metal Cap |



KNORR SN6-SN7-SK7

| | | | |
|------------------------|-------------|--------------------|---------------------|
| ANDAC No | | 0810 10958 | |
| OE Reference No | | K001691 | |
| Application | | SN6 / SN7 | |
| Description | | Caliper Repair Kit | |
| | Name | Qty. | |
| 1 | T3 | 1 | Guide Pin Ø36x114mm |
| 2 | C2 | 1 | Screw M16x1,5x87mm |
| 3 | B2 | 1 | Bush |
| 4 | K9 | 1 | Boot |
| 5 | P1 | 1 | Ring |
| 6 | S10 | 1 | Metal Cap |
| 7 | S16 | 1 | Metal Cap |



| | | | |
|------------------------|-------------|--------------------|--------------------|
| ANDAC No | | 0810 10959 | |
| OE Reference No | | K001692 | |
| Application | | SN6 / SN7 | |
| Description | | Caliper Repair Kit | |
| | Name | Qty. | |
| 1 | C2 | 1 | Screw M16x1,5x87mm |
| 2 | T7 | 1 | Guide Pin Ø36x64mm |
| 3 | C8 | 1 | Screw M16x1,5x70mm |
| 4 | B17 | 1 | Bush |
| 5 | K9 | 1 | Boot |
| 6 | P1 | 1 | Ring |
| 7 | S10 | 1 | Metal Cap |
| 8 | S16 | 1 | Metal Cap |



KNORR SN6-SN7-SK7

| | | | |
|------------------------|-------------|---------------------------|--------------------|
| ANDAC No | | 0810 10195 | |
| OE Reference No | | | |
| Application | | SN6 / SN7 / SK7 | |
| Description | | Caliper Repair Kit | |
| | Name | Qty. | |
| 1 | T7 | 1 | Guide Pin Ø36x64mm |
| 2 | C8 | 1 | Screw M16x1,5x70mm |
| 3 | B16 | 1 | Bush (Slotted) |
| 4 | K9 | 1 | Boot |
| 5 | P1 | 1 | Ring |
| 6 | S16 | 1 | Metal Cap |



| | | | |
|------------------------|-------------|-----------------------------|------------------------------------|
| ANDAC No | | 0810 10189 | |
| OE Reference No | | K001274 - K052759K50 | |
| Application | | SN6 | |
| Description | | Caliper Repair Kit | |
| | Name | Qty. | |
| 1 | T212 | 1 | Guide Pin Ø36x103mm |
| 2 | C2 | 1 | Screw M16x1,5x87mm |
| 3 | T4 | 1 | Guide Pin Ø32x80mm |
| 4 | C3 | 1 | Screw M16x1,5x80mm |
| 5 | K5 | 1 | Metal - Rubber Bush (Long) (Ø39mm) |
| 6 | K9 | 1 | Boot |
| 7 | P1 | 1 | Ring |
| 8 | S1 | 1 | Pin Cap |
| 9 | S10 | 1 | Metal Cap |
| 10 | B12 | 1 | Bush |



| | | | |
|------------------------|-------------|---------------------------------------|-------------------------------------|
| ANDAC No | | 0810 10315 | |
| OE Reference No | | K001925 - 0004204382 - K028451 | |
| Application | | SN6 | |
| Description | | Caliper Repair Kit | |
| | Name | Qty. | |
| 1 | T212 | 1 | Guide Pin Ø36x103mm |
| 2 | C2 | 1 | Screw M16x1,5x87mm |
| 3 | T4 | 1 | Guide Pin Ø32x80mm |
| 4 | C3 | 1 | Screw M16x1,5x80mm |
| 5 | K7 | 1 | Metal - Rubber Bush (Short) (Ø39mm) |
| 6 | K9 | 1 | Boot |
| 7 | P1 | 1 | Ring |
| 8 | S10 | 1 | Metal Cap |
| 9 | B12 | 1 | Bush |



KNORR SN6-SN7-SK7

| ANDAC No | | 0810 10182 | |
|-----------------|------|--------------------|--|
| OE Reference No | | | |
| Application | | SN7 | |
| Description | | Caliper Repair Kit | |
| Name | Qty. | | |
| 1 T6 | 1 | Guide Pin Ø34X80mm | |
| 2 C2 | 1 | Screw M16x1,5x87mm | |
| 3 K11 | 1 | Rubber Bush | |
| 4 K9 | 1 | Boot | |
| 5 P1 | 1 | Ring | |
| 6 K10 | 1 | Boot | |
| 7 S21 | 1 | Clamp | |



| ANDAC No | | 0810 10211 | |
|-----------------|------|------------------------------------|--|
| OE Reference No | | | |
| Application | | SN6 / SN7 / SK7 | |
| Description | | Caliper Repair Kit | |
| Name | Qty. | | |
| 1 T4 | 1 | Guide Pin Ø32x80mm | |
| 2 C3 | 1 | Screw M16x1,5x80mm | |
| 3 K5 | 1 | Metal - Rubber Bush (Long) (Ø39mm) | |
| 4 K9 | 1 | Boot | |
| 5 P1 | 1 | Ring | |
| 6 S10 | 1 | Metal Cap | |
| 7 S1 | 1 | Pin Cap | |
| 8 B2 | 1 | Bush | |



| ANDAC No | | 0810 10212 | |
|-----------------|------|------------------------------------|--|
| OE Reference No | | | |
| Application | | SN6 / SN7 / SK7 | |
| Description | | Caliper Repair Kit | |
| Name | Qty. | | |
| 1 T244 | 1 | Guide Pin Ø32x88,5mm | |
| 2 C3 | 1 | Screw M16x1,5x80mm | |
| 3 K5 | 1 | Metal - Rubber Bush (Long) (Ø39mm) | |
| 4 K9 | 1 | Boot | |
| 5 P1 | 1 | Ring | |
| 6 S10 | 1 | Metal Cap | |
| 7 B2 | 1 | Bush | |



KNORR SN6-SN7-SK7

| | | | |
|------------------------|-------------|---------------------------|---------------------|
| ANDAC No | | 0810 10196 | |
| OE Reference No | | K013007 | |
| Application | | SN6 / SN7 | |
| Description | | Caliper Repair Kit | |
| | Name | Qty. | |
| 1 | T3 | 1 | Guide Pin Ø36x114mm |
| 2 | C2 | 1 | Screw M16x1.5x87mm |
| 3 | T7 | 1 | Guide Pin Ø36x64mm |
| 4 | C8 | 1 | Screw M16x1.5x70mm |
| 5 | S18 | 1 | Washer |
| 6 | S17 | 1 | Pad Retainer (20mm) |
| 7 | S19 | 1 | Cotter Pin |
| 8 | T20 | 1 | Calibration Loaf |
| 9 | T9 | 1 | Detent Pin |
| 10 | P1 | 2 | Ring |
| 11 | K12 | 1 | Rubber Cap (Ø38mm) |
| 12 | S16 | 1 | Metal Cap |
| 13 | S10 | 1 | Metal Cap |



| | | | |
|------------------------|-------------|---------------------------|---------------------|
| ANDAC No | | 0810 10295 | |
| OE Reference No | | K060760 - K012912 | |
| Application | | SN7 | |
| Description | | Caliper Repair Kit | |
| | Name | Qty. | |
| 1 | T3 | 1 | Guide Pin Ø36x114mm |
| 2 | C2 | 1 | Screw M16x1.5x87mm |
| 3 | T4 | 1 | Guide Pin Ø32x80mm |
| 4 | C3 | 1 | Screw M16x1.5x80mm |
| 5 | S17 | 1 | Pad Retainer (20mm) |
| 6 | S18 | 1 | Washer |
| 7 | S19 | 1 | Cotter Pin |
| 8 | S10 | 1 | Metal Tap |
| 9 | T20 | 1 | Calibration Loaf |
| 10 | T9 | 1 | Detent Pin |
| 11 | P1 | 1 | Ring |
| 12 | K12 | 1 | Rubber Cap (Ø38mm) |



KNORR SN6-SN7-SK7

| ANDAC No | | 0810 10299 | |
|-----------------|------|---------------------|--|
| OE Reference No | | K048278 | |
| Application | | SN7 | |
| Description | | Caliper Repair Kit | |
| Name | Qty. | | |
| 1 T3 | 1 | Guide Pin Ø36x114mm | |
| 2 C2 | 1 | Screw M16x1.5x87mm | |
| 3 T4 | 1 | Guide Pin Ø32x80mm | |
| 4 C3 | 1 | Screw M16x1.5x80mm | |
| 5 S97 | 1 | Metal Tap | |
| 6 S1 | 1 | Pin Cap | |
| 7 S17 | 1 | Pad Retainer (20mm) | |
| 8 S18 | 1 | Washer | |
| 9 S19 | 1 | Cotter Pin | |
| 10 T20 | 1 | Calibration Loaf | |
| 11 T9 | 1 | Detent Pin | |
| 12 P1 | 1 | Ring | |
| 13 K12 | 1 | Rubber Cap (Ø38mm) | |



| ANDAC No | | 0810 10300 | |
|-----------------|------|---------------------|--|
| OE Reference No | | K003459 | |
| Application | | SN7 / SK7 | |
| Description | | Caliper Repair Kit | |
| Name | Qty. | | |
| 1 T212 | 1 | Guide Pin Ø36x103mm | |
| 2 C2 | 1 | Screw M16x1.5x87mm | |
| 3 T4 | 1 | Guide Pin Ø32x80mm | |
| 4 C3 | 1 | Screw M16x1.5x80mm | |
| 5 S97 | 1 | Metal Tap | |
| 6 S92 | 1 | Pad Retainer (25mm) | |
| 7 S18 | 1 | Washer | |
| 8 S19 | 1 | Cotter Pin | |
| 9 T20 | 1 | Calibration Loaf | |
| 10 T9 | 1 | Detent Pin | |
| 11 P1 | 1 | Ring | |
| 12 K12 | 1 | Rubber Cap (Ø38mm) | |



KNORR SN6-SN7-SK7

| ANDAC No | | 0810 10301 | |
|-----------------|------|----------------------|--|
| OE Reference No | | K047473 | |
| Application | | SN7 | |
| Description | | Caliper Repair Kit | |
| Name | Qty. | | |
| 1 T3 | 1 | Guide Pin Ø36x114mm | |
| 2 C2 | 1 | Screw M16x1,5x87mm | |
| 3 T244 | 1 | Guide Pin Ø32x88,5mm | |
| 4 C3 | 1 | Screw M16x1,5x80mm | |
| 5 S2 | 1 | Metal Cap | |
| 6 K8 | 1 | O-Ring | |
| 7 S17 | 1 | Pad Retainer (20mm) | |
| 8 S18 | 1 | Washer | |
| 9 S19 | 1 | Cotter Pin | |
| 10 T20 | 1 | Calibration Loaf | |
| 11 T9 | 1 | Detent Pin | |
| 12 P1 | 1 | Ring | |



| ANDAC No | | 0810 10308 | |
|-----------------|------|------------------------|--|
| OE Reference No | | | |
| Application | | SN6 / SN7 | |
| Description | | Caliper Repair Kit | |
| Name | Qty. | | |
| 1 K1T1 | 2 | Tappet and Boot (69mm) | |
| 2 B1 | 2 | Bush | |
| 3 K2 | 2 | Dust Cover | |
| 4 B2 | 1 | Bush | |
| 5 K11 | 1 | Rubber Rush | |
| 6 K9 | 1 | Boot | |
| 7 P1 | 1 | Ring | |
| 8 K10 | 1 | Boot | |
| 9 S21 | 1 | Clamp | |
| 10 S2 | 1 | Metal Cap | |
| 11 K8 | 1 | O-Ring | |
| 12 S1 | 1 | Pin Cap | |
| 13 K12 | 1 | Rubber Cap (Ø38mm) | |



KNORR SN6-SN7-SK7

| ANDAC No | | 0810 10257 | |
|-----------------|------|------------------------|--|
| OE Reference No | | | |
| Application | | SN6 / SK7 | |
| Description | | Caliper Repair Kit | |
| Name | Qty. | | |
| 1 KIT1 | 2 | Tappet and Boot (69mm) | |
| 2 B1 | 2 | Bush | |
| 3 K11 | 1 | Rubber Rush | |
| 4 K10 | 1 | Boot | |
| 5 S21 | 1 | Clamp | |
| 6 K9 | 1 | Boot | |
| 7 P1 | 1 | Ring | |



| ANDAC No | | 0810 10219 | |
|-----------------|------|-----------------------------------|--|
| OE Reference No | | | |
| Application | | SN6 / SK7 | |
| Description | | Caliper Repair Kit | |
| Name | Qty. | | |
| 1 T4 | 1 | Guide Pin Ø32x80mm | |
| 2 K5 | 1 | Metal - Rubber Bush (Long) (39mm) | |
| 3 S1 | 1 | Pin Cap | |



| ANDAC No | | 0810 10220 | |
|-----------------|------|-----------------------------------|--|
| OE Reference No | | | |
| Application | | SN6 / SN7 / SK7 | |
| Description | | Caliper Repair Kit | |
| Name | Qty. | | |
| 1 T244 | 1 | Guide Pin Ø32x88,5mm | |
| 2 K5 | 1 | Metal - Rubber Bush (Long) (39mm) | |



KNORR SN6-SN7-SK7

| | | | |
|------------------------|-------------|---------------------------|-----------------------------------|
| ANDAC No | | 0810 10221 | |
| OE Reference No | | | |
| Application | | SN6 / SK7 | |
| Description | | Caliper Repair Kit | |
| | Name | Qty. | |
| 1 | T4 | 1 | Guide Pin Ø32x80mm |
| 2 | K6 | 1 | Metal - Rubber Bush (Long) (35mm) |
| 3 | S1 | 1 | Pin Cap |



| | | | |
|------------------------|-------------|---------------------------|-----------------------------------|
| ANDAC No | | 0810 10222 | |
| OE Reference No | | | |
| Application | | SN6 / SK7 | |
| Description | | Caliper Repair Kit | |
| | Name | Qty. | |
| 1 | T244 | 1 | Guide Pin Ø32x88,5mm |
| 2 | K6 | 1 | Metal - Rubber Bush (Long) (35mm) |



| | | | |
|------------------------|-------------|---------------------------|------------------------------------|
| ANDAC No | | 0810 10223 | |
| OE Reference No | | | |
| Application | | SN6 / SK7 | |
| Description | | Caliper Repair Kit | |
| | Name | Qty. | |
| 1 | T4 | 1 | Guide Pin Ø32x80mm |
| 2 | C3 | 1 | Screw M16x1,5x80mm |
| 3 | K7 | 1 | Metal - Rubber Bush (Short) (39mm) |



| | | | |
|------------------------|-------------|---------------------------|------------------------------------|
| ANDAC No | | 0810 10224 | |
| OE Reference No | | | |
| Application | | SN6 / SK7 | |
| Description | | Caliper Repair Kit | |
| | Name | Qty. | |
| 1 | T4 | 1 | Guide Pin Ø32x80mm |
| 2 | K7 | 1 | Metal - Rubber Bush (Short) (39mm) |

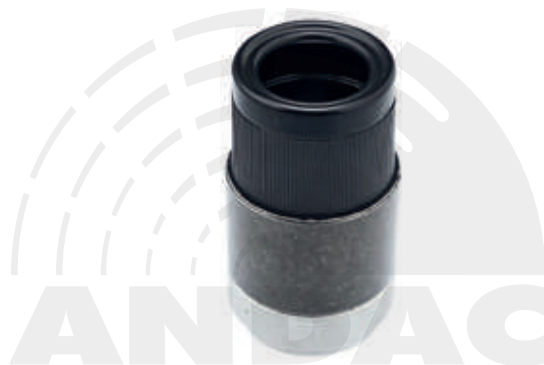


KNORR SN6-SN7-SK7

| | | | |
|-----------------|------|---------------------------|-----------------------------------|
| ANDAC No | | 0810 10225 | |
| OE Reference No | | | |
| Application | | SN6 / SN7 | |
| Description | | Caliper Metal Rubber Bush | |
| | Name | Qty. | |
| 1 | K5 | 1 | Metal - Rubber Bush (Long) (39mm) |
| | | | |
| | | | |



| | | | |
|-----------------|------|---------------------------|-----------------------------------|
| ANDAC No | | 0810 10226 | |
| OE Reference No | | | |
| Application | | SN6 / SN7 | |
| Description | | Caliper Metal Rubber Bush | |
| | Name | Qty. | |
| 1 | K6 | 1 | Metal - Rubber Bush (Long) (35mm) |
| | | | |
| | | | |



| | | | |
|-----------------|------|---------------------------|-----------------------------|
| ANDAC No | | 0810 10228 | |
| OE Reference No | | | |
| Application | | SN7 | |
| Description | | Caliper Metal Rubber Bush | |
| | Name | Qty. | |
| 1 | K39 | 1 | Metal - Rubber Bush (Short) |
| | | | |
| | | | |



| | | | |
|-----------------|------|-----------------------|-----------|
| ANDAC No | | 0810 10230 | |
| OE Reference No | | K001301 - 81508226025 | |
| Application | | SN7 | |
| Description | | Caliper Repair Kit | |
| | Name | Qty. | |
| 1 | S2 | 6 | Metal Cap |
| 2 | K8 | 6 | O-Ring |
| 3 | K10 | 6 | Boot |
| 4 | S21 | 6 | Clamp |
| | | | |

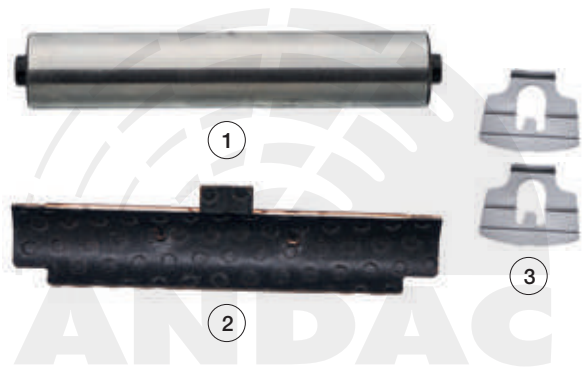


KNORR SN6-SN7-SK7

| | | | |
|------------------------|-------------|-----------------------|---------------|
| ANDAC No | | 0810 10237 | |
| OE Reference No | | | |
| Application | | SN6 / SN7 / SK7 | |
| Description | | Caliper Lever Bearing | |
| | Name | Qty. | |
| 1 | S20 | 1 | Lever Bearing |
| | | | |
| | | | |



| | | | |
|------------------------|-------------|---------------------------|---------------|
| ANDAC No | | 0810 10260 | |
| OE Reference No | | | |
| Application | | SN6 / SN7 / SK7 | |
| Description | | Caliper Lever Bearing Kit | |
| | Name | Qty. | |
| 1 | T200 | 1 | Lever Pin |
| 2 | S20 | 1 | Lever Bearing |
| 3 | S61 | 2 | Metal Sheet |
| | | | |
| | | | |



| | | | |
|---------------------------|-------------|--------------------|-----------|
| ANDAC No | | 0810 10231 | |
| OE Reference No | | | |
| II39769F0063 - 3434380600 | | | |
| Application | | SN7 | |
| Description | | Caliper Repair Kit | |
| | Name | Qty. | |
| 1 | S2 | 1 | Metal Cap |
| 2 | K8 | 1 | O-Ring |
| | | | |
| | | | |



| | | | |
|------------------------|-------------|--------------------|-----------|
| ANDAC No | | 0810 10351 | |
| OE Reference No | | | |
| Application | | SN6 / SN7 / SK7 | |
| Description | | Caliper Repair Kit | |
| | Name | Qty. | |
| 1 | S10 | 1 | Metal Cap |
| 2 | S16 | 1 | Metal Cap |
| | | | |
| | | | |



KNORR SN6-SN7-SK7

| | | | |
|------------------------|------|---|--------------------|
| ANDAC No | | 0810 10232 | |
| OE Reference No | | K000945 - II17934004 - 81508226024 - 14394993 | |
| Application | | SN6 / SN7 / SK7 | |
| Description | | Caliper Adjusting Mechanism Cap Set | |
| | Name | Qty. | |
| 1 | K12 | 10 | Rubber Cap (Ø38mm) |
| 2 | K15 | 10 | Rubber Tap |
| 3 | T20 | 10 | Calibration Loaf |



| | | | |
|------------------------|------|-------------------------------------|--------------------|
| ANDAC No | | 0810 10233 | |
| OE Reference No | | K000029 - 0004234687 - 81508226021 | |
| Application | | SN7 | |
| Description | | Caliper Adjusting Mechanism Cap Set | |
| | Name | Qty. | |
| 1 | K12 | 10 | Rubber Cap (Ø38mm) |
| 2 | T20 | 10 | Calibration Loaf |



| | | | |
|------------------------|------|--------------------------|---------------------|
| ANDAC No | | 0810 10310 | |
| OE Reference No | | | |
| Application | | SN7 | |
| Description | | Caliper Pad Retainer Kit | |
| | Name | Qty. | |
| 1 | S17 | 2 | Pad Retainer (20mm) |
| 2 | S18 | 2 | Washer |
| 3 | S19 | 2 | Cotter Pin |
| 4 | T9 | 2 | Detent Pin |
| 5 | K12 | 2 | Rubber Cap (Ø38mm) |
| 6 | K15 | 2 | Rubber Tap |
| 7 | T20 | 2 | Calibration Loaf |

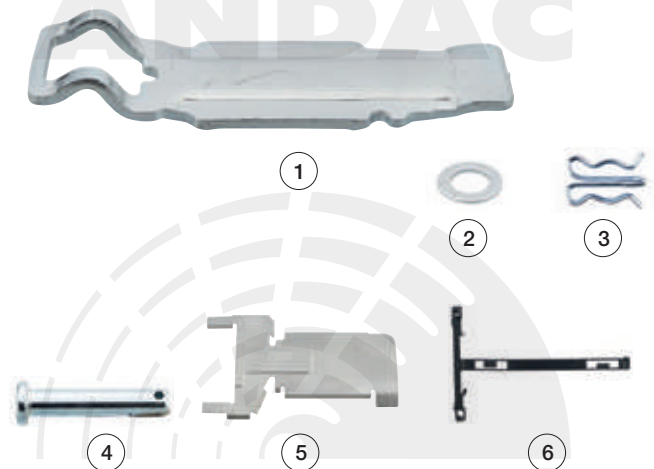


KNORR SN6-SN7-SK7

| | | | |
|------------------------|-------------|---------------------------------|---------------------|
| ANDAC No | | 0810 10355 | |
| OE Reference No | | | |
| Application | | SN7 | |
| Description | | Caliper Pad Retainer Kit | |
| | Name | Qty. | |
| 1 | S92 | 2 | Pad Retainer (25mm) |
| 2 | S18 | 2 | Washer |
| 3 | S19 | 2 | Cotter Pin |
| 4 | T9 | 2 | Detent Pin |
| 5 | K12 | 2 | Rubber Cap (Ø38mm) |
| 6 | K15 | 2 | Rubber Tap |
| 7 | T20 | 2 | Calibration Loaf |

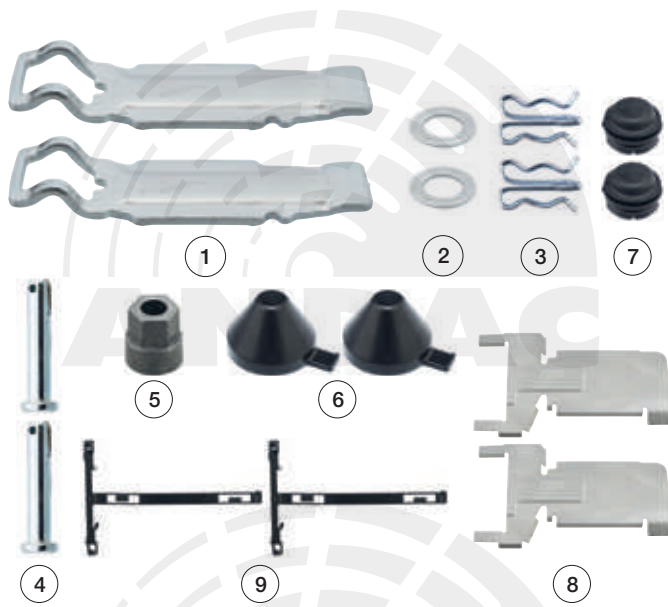


| | | | |
|------------------------|-------------|---------------------------------|----------------------------|
| ANDAC No | | 0810 10948 | |
| OE Reference No | | K000884 | |
| Application | | SN7 | |
| Description | | Caliper Pad Retainer Kit | |
| | Name | Qty. | |
| 1 | S17 | 1 | Pad Retainer (20mm) |
| 2 | S18 | 1 | Washer |
| 3 | S19 | 1 | Cotter Pin |
| 4 | T9 | 1 | Detent Pin |
| 5 | S261 | 1 | Pad Protection Metal Sheet |
| 6 | P98 | 1 | Pad Cable Retainer |



KNORR SN6-SN7-SK7

| ANDAC No | | 0810 10949 | |
|-----------------|------|----------------------------|--|
| OE Reference No | | K002311 | |
| Application | | SN7 | |
| Description | | Caliper Pad Retainer Kit | |
| Name | Qty. | | |
| 1 S17 | 2 | Pad Retainer (20mm) | |
| 2 S18 | 2 | Washer | |
| 3 S19 | 2 | Cotter Pin | |
| 4 T9 | 2 | Detent Pin | |
| 5 T20 | 1 | Calibration Loaf | |
| 6 K12 | 2 | Rubber Cap (Ø38mm) | |
| 7 K15 | 2 | Rubber Tap | |
| 8 S261 | 2 | Pad Protection Metal Sheet | |
| 9 P98 | 2 | Pad Cable Retainer | |



| ANDAC No | | 0810 10950 | |
|-----------------|------|----------------------------|--|
| OE Reference No | | | |
| Application | | SN6 / SK7 | |
| Description | | Caliper Pad Retainer Kit | |
| Name | Qty. | | |
| 1 S92 | 1 | Pad Retainer (25mm) | |
| 2 S18 | 1 | Washer | |
| 3 S19 | 1 | Cotter Pin | |
| 4 T9 | 1 | Detent Pin | |
| 5 S261 | 1 | Pad Protection Metal Sheet | |
| 6 P98 | 1 | Pad Cable Retainer | |



KNORR SN6-SN7-SK7

| | | | |
|------------------------|-------------|---------------------------------|----------------------------|
| ANDAC No | | 0810 10951 | |
| OE Reference No | | | |
| Application | | SN6 / SK7 | |
| Description | | Caliper Pad Retainer Kit | |
| | Name | Qty. | |
| 1 | S164 | 4 | Retention Spring |
| 2 | S92 | 2 | Pad Retainer (25mm) |
| 3 | S18 | 2 | Washer |
| 4 | S19 | 2 | Cotter Pin |
| 5 | T9 | 2 | Detent Pin |
| 6 | T20 | 2 | Calibration Loaf |
| 7 | K12 | 2 | Rubber Cap (Ø38mm) |
| 8 | K15 | 2 | Rubber Tap |
| 9 | S261 | 2 | Pad Protection Metal Sheet |
| 10 | P98 | 2 | Pad Cable Retainer |



| | | | |
|------------------------|-------------|---------------------------------|----------------------------|
| ANDAC No | | 0810 10952 | |
| OE Reference No | | | |
| Application | | SN6 / SN7 / SK7 | |
| Description | | Caliper Pad Retainer Kit | |
| | Name | Qty. | |
| 1 | S261 | 1 | Pad Protection Metal Sheet |
| 2 | P98 | 1 | Pad Cable Retainer |



| | | | |
|------------------------|-------------|---------------------------------|---------------------|
| ANDAC No | | 0810 10311 | |
| OE Reference No | | K000133 | |
| Application | | SN6 / SK7 | |
| Description | | Caliper Pad Retainer Kit | |
| | Name | Qty. | |
| 1 | S92 | 1 | Pad Retainer (25mm) |
| 2 | S18 | 1 | Washer |
| 3 | S19 | 1 | Cotter Pin |
| 4 | T9 | 1 | Detent Pin |



KNORR SN6-SN7-SK7

| ANDAC No | | 0810 10235 |
|-----------------|------|--------------------------|
| OE Reference No | | |
| Application | | SN7 / SK7 |
| Description | | Caliper Pad Retainer Kit |
| Name | Qty. | |
| 1 K12 | 2 | Rubber Cap (Ø38mm) |
| 2 S18 | 2 | Washer |
| 3 S19 | 2 | Cotter Pin |
| 4 T9 | 2 | Detent Pin |
| 5 K15 | 2 | Rubber Tap |
| 6 T20 | 2 | Calibration Loaf |



| ANDAC No | | 0810 10236 |
|-----------------|------|--|
| OE Reference No | | II19712004 - K000129 - 6274200186 - 0004202482 |
| Application | | SN7 |
| Description | | Caliper Pad Retainer Kit |
| Name | Qty. | |
| 1 S17 | 1 | Pad Retainer (20mm) |
| 2 S18 | 1 | Washer |
| 3 S19 | 1 | Cotter Pin |
| 4 T9 | 1 | Detent Pin |



| ANDAC No | | 0810 10312 |
|-----------------|------|--------------------|
| OE Reference No | | II40929F |
| Application | | SN6 / SK7 |
| Description | | Caliper Repair Kit |
| Name | Qty. | |
| 1 K12 | 1 | Rubber Cap (Ø38mm) |
| 2 S18 | 1 | Washer |
| 3 S19 | 1 | Cotter Pin |
| 4 T9 | 1 | Detent Pin |
| 5 T20 | 1 | Calibration Loaf |
| 6 S1 | 1 | Pin Cap |
| 7 P1 | 1 | Ring |



KNORR SN6-SN7-SK7

| | | | |
|------------------------|-------------|--------------------|--------------------|
| ANDAC No | | 0810 10313 | |
| OE Reference No | | II40699F | |
| Application | | SN6 | |
| Description | | Caliper Repair Kit | |
| | Name | Qty. | |
| 1 | K12 | 1 | Rubber Cap (Ø38mm) |
| 2 | S18 | 1 | Washer |
| 3 | S19 | 1 | Cotter Pin |
| 4 | T9 | 1 | Detent Pin |
| 5 | K8 | 1 | O-Ring |
| 6 | P1 | 1 | Ring |
| 7 | T20 | 1 | Calibration Loaf |



| | | | |
|------------------------|-------------|--------------------|--------------------|
| ANDAC No | | 0810 10314 | |
| OE Reference No | | II40875F | |
| Application | | SN6 | |
| Description | | Caliper Repair Kit | |
| | Name | Qty. | |
| 1 | K12 | 1 | Rubber Cap (Ø38mm) |
| 2 | S18 | 1 | Washer |
| 3 | S19 | 1 | Cotter Pin |
| 4 | T9 | 1 | Detent Pin |
| 5 | P1 | 1 | Ring |
| 6 | T20 | 1 | Calibration Loaf |

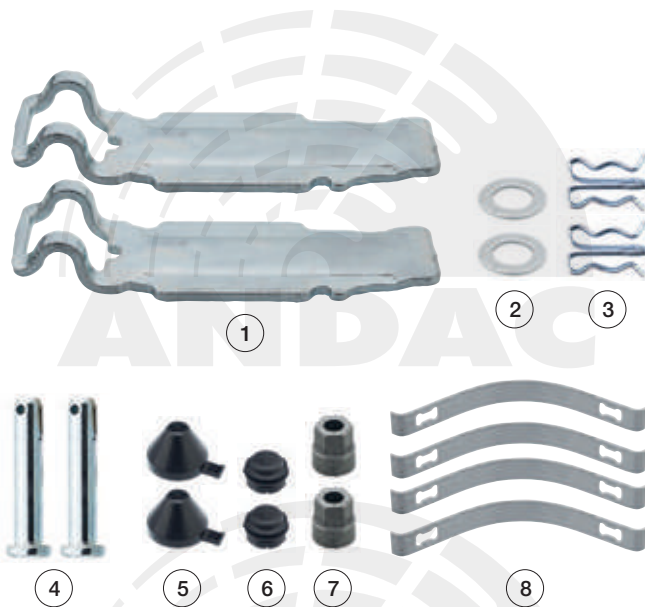


| | | | |
|------------------------|-------------|---------------------------|---------------------|
| ANDAC No | | 0810 10347 | |
| OE Reference No | | WVA 29115 - 29116 - 29148 | |
| Application | | SN7 | |
| Description | | Caliper Pad Retainer Kit | |
| | Name | Qty. | |
| 1 | S17 | 2 | Pad Retainer (20mm) |
| 2 | S18 | 2 | Washer |
| 3 | S19 | 2 | Cotter Pin |
| 4 | T9 | 2 | Detent Pin |
| 5 | K12 | 2 | Rubber Cap (Ø38mm) |
| 6 | K15 | 2 | Rubber Tap |
| 7 | T20 | 2 | Calibration Loaf |
| 8 | S164 | 4 | Retention Spring |

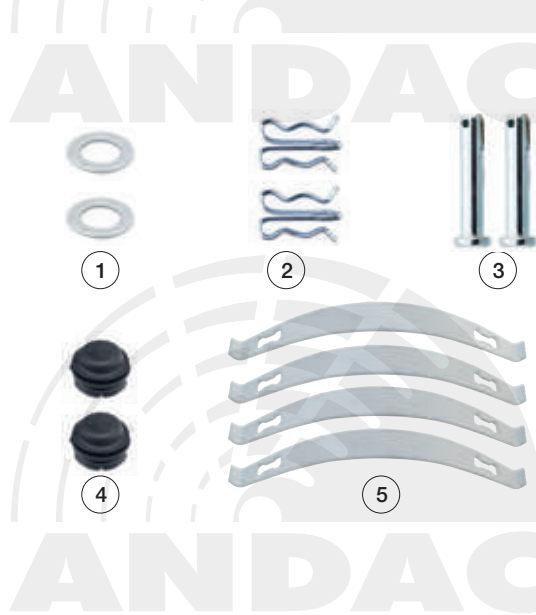


KNORR SN6-SN7-SK7

| ANDAC No | | 0810 10356 | |
|-----------------|------|--------------------------|--|
| OE Reference No | | WVA 29087 | |
| Application | | SN6 / SN7 | |
| Description | | Caliper Pad Retainer Kit | |
| Name | Qty. | | |
| 1 S92 | 2 | Pad Retainer (25mm) | |
| 2 S18 | 2 | Washer | |
| 3 S19 | 2 | Cotter Pin | |
| 4 T9 | 2 | Detent Pin | |
| 5 K12 | 2 | Rubber Cap (D38mm) | |
| 6 K15 | 2 | Rubber Tap | |
| 7 T20 | 2 | Calibration Loaf | |
| 8 S164 | 4 | Retention Spring | |



| ANDAC No | | 0810 10399 | |
|-----------------|------|--|--|
| OE Reference No | | WVA29087 - 29163 - 29179 - 29105 - 29106 - 29108 - 20109 | |
| Application | | SN7 | |
| Description | | Caliper Pad Retainer Kit | |
| Name | Qty. | | |
| 1 S18 | 2 | Washer | |
| 2 S19 | 2 | Cotter Pin | |
| 3 T9 | 2 | Detent Pin | |
| 4 K15 | 2 | Rubber Tap | |
| 5 S200 | 4 | Retention Spring | |



KNORR SN6-SN7-SK7

| | | | |
|------------------------|-------------|---|--------------------|
| ANDAC No | | 0810 10400 | |
| OE Reference No | | WVA29087 - 29163 - 29179 - 29105 - 29106 - 29108 - 20109 - K000946 | |
| Application | | SN7 | |
| Description | | Caliper Repair Kit | |
| | Name | Qty. | |
| 1 | S18 | 2 | Washer |
| 2 | S19 | 2 | Cotter Pin |
| 3 | T9 | 2 | Detent Pin |
| 4 | K15 | 2 | Rubber Tap |
| 5 | S203 | 4 | Retention Spring |
| 6 | K12 | 2 | Rubber Cap (Ø38mm) |
| 7 | T20 | 1 | Calibration Loaf |



| | | | |
|------------------------|-------------|--------------------|--------------------|
| ANDAC No | | 0810 10241 | |
| OE Reference No | | | |
| Application | | SN6 / SN7 / SK7 | |
| Description | | Caliper Repair Kit | |
| | Name | Qty. | |
| 1 | K12 | 1 | Rubber Cap (Ø38mm) |
| 2 | K13 | 1 | Rubber Cap (Ø35mm) |
| 3 | K15 | 1 | Rubber Tap |
| 4 | T20 | 1 | Calibration Loaf |



| | | | |
|------------------------|-------------|--------------------|-------------|
| ANDAC No | | 0810 10183 | |
| OE Reference No | | K000133 | |
| Application | | SN7 | |
| Description | | Caliper Repair Kit | |
| | Name | Qty. | |
| 1 | K10 | 1 | Boot |
| 2 | K11 | 1 | Rubber Bush |
| 3 | S21 | 1 | Clamp |
| 4 | K9 | 1 | Boot |
| 5 | P1 | 1 | Ring |



KNORR SN6-SN7-SK7

| ANDAC No | | 0810 10242 |
|-----------------|------|--------------------|
| OE Reference No | | |
| Application | | SN7 |
| Description | | Caliper Repair Kit |
| Name | Qty. | |
| 1 S21 | 1 | Clamp |
| 2 K9 | 1 | Boot |
| 3 P1 | 1 | Ring |
| 4 K10 | 1 | Boot |



| ANDAC No | | 0810 10243 |
|-----------------|------|--------------------|
| OE Reference No | | |
| Application | | SN7 |
| Description | | Caliper Repair Kit |
| Name | Qty. | |
| 1 S21 | 1 | Clamp |
| 2 K9 | 1 | Boot |
| 3 P1 | 1 | Ring |
| 4 K10 | 1 | Boot |
| 5 K12 | 1 | Rubber Cap (Ø38mm) |



| ANDAC No | | 0810 10318 |
|-----------------|------|---------------------------|
| OE Reference No | | II350470063 |
| Application | | SN7 |
| Description | | Caliper Metal Rubber Bush |
| Name | Qty. | |
| 1 S21 | 1 | Clamp |
| 2 K10 | 1 | Boot |



| ANDAC No | | 0810 10244 |
|-----------------|------|---|
| OE Reference No | | 1448600 - 0980106330 - 42541412 - Z004357 |
| Application | | SN6 / SN7 / SK7 |
| Description | | Caliper Repair Kit |
| Name | Qty. | |
| 1 P1 | 1 | Teflon Ring |
| 2 K9 | 1 | Boot |



KNORR SN6-SN7-SK7

| | | | |
|------------------------|-------------|--------------------|------------|
| ANDAC No | | 0810 10249 | |
| OE Reference No | | | |
| Application | | SN6 / SN7 / SK7 | |
| Description | | Caliper Repair Kit | |
| | Name | Qty. | |
| 1 | K106 | 1 | Rubber Tap |
| | | | |
| | | | |



| | | | |
|------------------------|-------------|-------------------|--------------|
| ANDAC No | | 0810 10250 | |
| OE Reference No | | | |
| Application | | SN6 / SN7 / SK7 | |
| Description | | Caliper Seal | |
| | Name | Qty. | |
| 1 | K108 | 1 | Seal (Ø42mm) |
| | | | |
| | | | |



| | | | |
|------------------------|-------------|-------------------|--------------|
| ANDAC No | | 0810 10251 | |
| OE Reference No | | | |
| Application | | SN6 / SN7 / SK7 | |
| Description | | Caliper Seal | |
| | Name | Qty. | |
| 1 | K109 | 1 | Seal (Ø45mm) |
| | | | |
| | | | |



| | | | |
|------------------------|-------------|-------------------|-----------|
| ANDAC No | | 0810 10317 | |
| OE Reference No | | | |
| Application | | SN6 / SN7 / SK7 | |
| Description | | Caliper Cap Set | |
| | Name | Qty. | |
| 1 | S97 | 10 | Metal Cap |
| | | | |
| | | | |



KNORR SN6-SN7-SK7

| | | | |
|--------------------|------|-------------------|-----------|
| ANDAC No | | 0810 10380 | |
| OE Reference No | | | |
| Application | | SN6 / SN7 / SK7 | |
| Description | | Caliper Cap Set | |
| | Name | Qty. | |
| 1 | S16 | 10 | Metal Cap |
| | | | |
| | | | |



| | | | |
|--------------------|------|--------------------------------|-----------|
| ANDAC No | | 0810 10373 | |
| OE Reference No | | | |
| Application | | SN6 / SN7 / SK7 | |
| Description | | Caliper Pin Protection Cap Kit | |
| | Name | Qty. | |
| 1 | P75 | 5 | Pin Cover |
| | | | |
| | | | |

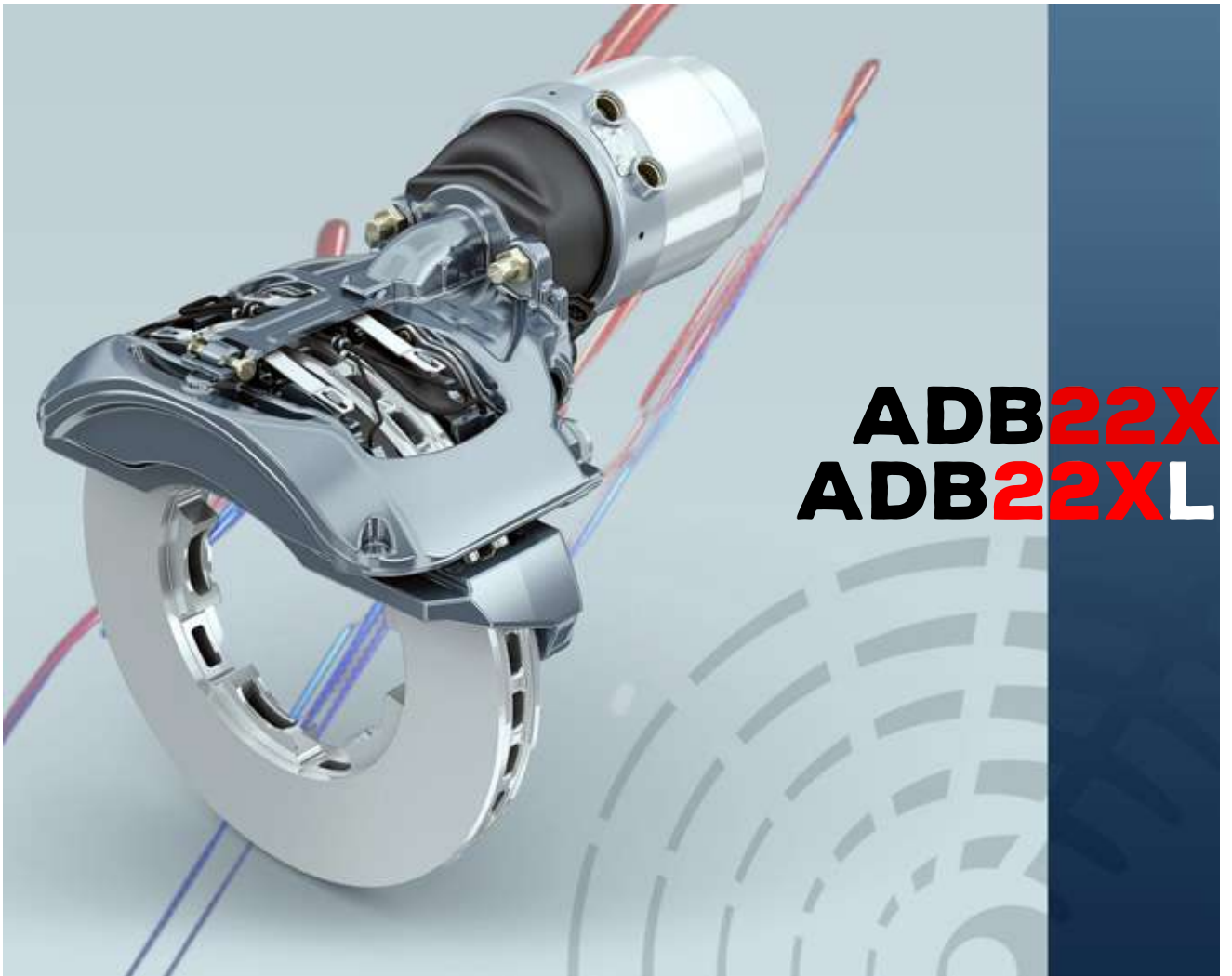


| | | | |
|--------------------|------|--------------------------------|-----------|
| ANDAC No | | 0810 10374 | |
| OE Reference No | | | |
| Application | | SN6 / SN7 / SK7 | |
| Description | | Caliper Pin Protection Cap Kit | |
| | Name | Qty. | |
| 1 | P76 | 5 | Pin Cover |
| | | | |
| | | | |



| | | | |
|--------------------|------|--------------------|-----------------------|
| ANDAC No | | 0810 10439 | |
| OE Reference No | | | |
| Application | | SN6 / SN7 / SK7 | |
| Description | | Brake Chamber Seal | |
| | Name | Qty. | |
| 1 | K203 | 10 | Chamber Pressure Seal |
| | | | |
| | | | |





KNORR BREMSE
ST6



KNORR ST6

| | | | |
|------------------------|--|-------------|-----------------|
| ANDAC No | 0810 10103 | | |
| OE Reference No | K092079 - K001300 - K010603 - K000366 - 1689313 - 81508226031 - 0004204982 - 1756389 - 0004202382 - 802119 - 3434381400 | | |
| Application | ST6 | | |
| Description | Caliper Tappet Repair Kit (69mm) | | |
| | Name | Qty. | |
| 1 | K1T1 | 2 | Tappet and Boot |
| 2 | K2 | 2 | Dust Cover |
| 3 | B1 | 2 | Bush |



| | | | |
|------------------------|---|-------------|-----------------|
| ANDAC No | 0810 10365 | | |
| OE Reference No | K092079 - K001300 - K010603 - K000366 - 1689313 - 81508226031 - 0004204982 - 1756389 - 0004202382 - 802119 - 3434381400 - K192251K50 | | |
| Application | ST6 | | |
| Description | Caliper Tappet Repair Kit (69mm) (Black with Clamp) | | |
| | Name | Qty. | |
| 1 | K1T1 | 2 | Tappet and Boot |
| 2 | K150 | 2 | Dust Cover |
| 3 | B1 | 2 | Bush |



| | | | |
|------------------------|--------------------------|-------------|--------------|
| ANDAC No | 0810 10486 | | |
| OE Reference No | | | |
| Application | ST6 | | |
| Description | Caliper Lever (119,00mm) | | |
| | Name | Qty. | |
| 1 | T846 | 1 | Lever (Long) |

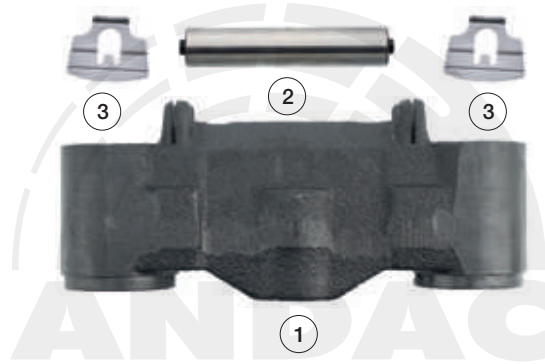


KNORR ST6

| | | | |
|-----------------|------|------------------------|----------------|
| ANDAC No | | 0810 10131 | |
| OE Reference No | | | |
| Application | | ST6 | |
| Description | | Caliper Roller Bearing | |
| | Name | Qty. | |
| 1 | R17 | 2 | Roller Bearing |
| | | | |
| | | | |



| | | | |
|-----------------|------|-------------------|---------------|
| ANDAC No | | 0810 10133 | |
| OE Reference No | | | |
| Application | | ST6 | |
| Description | | Caliper Bridge | |
| | Name | Qty. | |
| 1 | T11 | 1 | Bridge |
| 2 | T200 | 1 | Lever Bearing |
| 3 | S61 | 2 | Metal Sheet |
| 4 | Y3 | 1 | Spring |



| | | | |
|-----------------|------|-------------------------|---------------------------|
| ANDAC No | | 0810 10142 | |
| OE Reference No | | | |
| Application | | ST6 | |
| Description | | Caliper Bridge Assembly | |
| | Name | Qty. | |
| 1 | T13 | 1 | Bridge |
| 2 | T14 | 2 | Calibration Bolt 3 Thread |
| 3 | Y3 | 1 | Spring |



| | | | |
|-----------------|------|-----------------------------------|---------------------------|
| ANDAC No | | 0810 10147 | |
| OE Reference No | | | |
| Application | | ST6 | |
| Description | | Caliper Calibration Bolt 3 Thread | |
| | Name | Qty. | |
| 1 | T14 | 1 | Calibration Bolt 3 Thread |
| | | | |
| | | | |



KNORR ST6

| | | |
|------------------------|-----------------------------|-------------|
| ANDAC No | 0810 10149 | |
| OE Reference No | | |
| Application | ST6 | |
| Description | Caliper Adjusting Mechanism | |
| | Name | Qty. |
| 1 | T120 | 1 |
| | Adjusting Mechanism | |
| 2 | T130 | 1 |
| | Mechanism Gear | |



| | | |
|------------------------|-----------------------------|-------------|
| ANDAC No | 0810 10345 | |
| OE Reference No | | |
| Application | ST6 | |
| Description | Caliper Adjusting Mechanism | |
| | Name | Qty. |
| 1 | T386 | 1 |
| | Adjusting Mechanism | |
| 2 | T130 | 1 |
| | Mechanism Gear | |
| 3 | T20 | 1 |
| | Calibration Loaf | |



| | | |
|------------------------|-----------------------------|-------------|
| ANDAC No | 0810 10151 | |
| OE Reference No | | |
| Application | ST6 | |
| Description | Caliper Adjusting Mechanism | |
| | Name | Qty. |
| 1 | T121 | 1 |
| | Adjusting Mechanism | |



| | | |
|------------------------|-----------------------------|-------------|
| ANDAC No | 0810 10256 | |
| OE Reference No | | |
| Application | ST6 | |
| Description | Caliper Adjusting Mechanism | |
| | Name | Qty. |
| 1 | T50 | 1 |
| | Adjusting Mechanism | |



KNORR ST6

| ANDAC No | | 0810 10153 | |
|-----------------|------|-----------------------------|---------------------|
| OE Reference No | | | |
| Application | | ST6 | |
| Description | | Caliper Adjusting Mechanism | |
| | Name | Qty. | |
| 1 | T208 | 1 | Adjusting Mechanism |
| | | | |
| | | | |



| ANDAC No | | 0810 10154 | |
|-----------------|------|-----------------------------|---------------------|
| OE Reference No | | | |
| Application | | ST6 | |
| Description | | Caliper Adjusting Mechanism | |
| | Name | Qty. | |
| 1 | T209 | 1 | Adjusting Mechanism |
| 2 | T130 | 1 | Mechanism Gear |
| | | | |
| | | | |



| ANDAC No | | 0810 10238 | |
|-----------------|------|------------------------|----------------|
| OE Reference No | | | |
| Application | | ST6 | |
| Description | | Caliper Mechanism Gear | |
| | Name | Qty. | |
| 1 | T130 | 10 | Mechanism Gear |
| | | | |
| | | | |



| ANDAC No | | 0810 10239 | |
|-----------------|------|------------------------------|------------------|
| OE Reference No | | Z001548 - 802455 - S-29152-5 | |
| Application | | ST6 | |
| Description | | Caliper Calibration Loaf | |
| | Name | Qty. | |
| 1 | T20 | 10 | Calibration Loaf |
| | | | |
| | | | |



KNORR ST6

| | | | |
|------------------------|-------------|-------------------|-----------------------|
| ANDAC No | | 0810 10157 | |
| OE Reference No | | | |
| Application | | ST6 | |
| Description | | Caliper Chain | |
| | Name | Qty. | |
| 1 | T118 | 1 | Caliper Chain 29 Link |
| | | | |
| | | | |



ANDAC

| | | | |
|------------------------|-------------|-------------------------------|-------------------|
| ANDAC No | | 0810 10359 | |
| OE Reference No | | | |
| Application | | ST6 | |
| Description | | Caliper Sensor Cover (Flat) | |
| | Name | Qty. | |
| 1 | P71 | 1 | Sensor Flat Cover |
| | | | |
| | | | |



ANDAC

| | | | |
|------------------------|-------------|-------------------------------|-------------------|
| ANDAC No | | 0810 10429 | |
| OE Reference No | | | |
| Application | | ST6 | |
| Description | | Caliper Sensor Cover (Flat) | |
| | Name | Qty. | |
| 1 | P99 | 1 | Sensor Flat Cover |
| | | | |
| | | | |



ANDAC

| | | | |
|------------------------|-------------|------------------------|----------------|
| ANDAC No | | 0810 10363 | |
| OE Reference No | | | |
| Application | | ST6 | |
| Description | | Caliper Sensor Lattice | |
| | Name | Qty. | |
| 1 | P10 | 5 | Sensor Lattice |
| | | | |
| | | | |



ANDAC

| | | | |
|------------------------|-------------|----------------------|-------------|
| ANDAC No | | 0810 10488 | |
| OE Reference No | | | |
| Application | | ST6 | |
| Description | | Caliper Cover | |
| | Name | Qty. | |
| 1 | S307 | 1 | Cover |
| 2 | C7 | 6 | Cover Screw |



| | | | |
|------------------------|-------------|---------------------------|---------------------------|
| ANDAC No | | 0810 10489 | |
| OE Reference No | | | |
| Application | | ST6 | |
| Description | | Caliper Repair Kit | |
| | Name | Qty. | |
| 1 | T846 | 1 | Lever |
| 2 | T11 | 1 | Bridge |
| 3 | T200 | 1 | Lever Pin |
| 4 | S61 | 2 | Metal Sheet |
| 5 | T14 | 2 | Calibration Bolt 3 Thread |
| 6 | Y3 | 1 | Spring |
| 7 | K1T1 | 2 | Tappet and Boot (69mm) |
| 8 | K2 | 2 | Dust Cover |
| 9 | B1 | 2 | Bush |
| 10 | R17 | 2 | Roller Bearing |
| 11 | T386 | 1 | Adjusting Mechanism |
| 12 | T130 | 1 | Mechanism Gear |
| 13 | T20 | 1 | Calibration Loaf |
| 14 | T121 | 1 | Adjusting Mechanism |
| 15 | T118 | 1 | Caliper Chain 29 Link |
| 16 | S307 | 1 | Caliper Cover |
| 17 | C7 | 6 | Caliper Cover Screw |
| 18 | P99 | 1 | Sensor Flat Cover |



ANDAC No 0810 10490

| OE Reference No | | |
|------------------------|------|---------------------------|
| Application | | ST6 |
| Description | | Caliper Repair Kit |
| Name | Qty. | |
| 1 T846 | 1 | Lever |
| 2 T11 | 1 | Bridge |
| 3 T200 | 1 | Lever Pin |
| 4 S61 | 2 | Metal Sheet |
| 5 T14 | 2 | Calibration Bolt 3 Thread |
| 6 Y3 | 1 | Spring |
| 7 KIT1 | 2 | Tappet and Boot (69mm) |
| 8 K2 | 2 | Dust Cover |
| 9 B1 | 2 | Bush |
| 10 R17 | 2 | Roller Bearing |
| 11 T386 | 1 | Adjusting Mechanism |
| 12 T130 | 1 | Mechanism Gear |
| 13 T20 | 1 | Calibration Loaf |
| 14 T121 | 1 | Adjusting Mechanism |
| 15 T118 | 1 | Caliper Chain 29 Link |



ANDAC No 0810 10194

| OE Reference No | | K004100 - 3434381500 - K010766 - 0004205082 - 803114 |
|------------------------|------|---|
| Application | | ST6 |
| Description | | Caliper Repair Kit |
| Name | Qty. | |
| 1 T3 | 1 | Guide Pin Ø36x114mm |
| 2 C2 | 1 | Screw M16x1,5x87mm |
| 3 T7 | 1 | Guide Pin Ø36x64mm |
| 4 C8 | 1 | Screw M16x1,5x70mm |
| 5 B2 | 1 | Bush |
| 6 B16 | 1 | Bush (Slotted) |
| 7 K9 | 2 | Boot |
| 8 P1 | 2 | Ring |
| 9 S10 | 1 | Metal Cap |
| 10 S16 | 1 | Metal Cap |



KNORR ST6

| ANDAC No | | 0810 10372 | |
|-----------------|------|-----------------------------------|--|
| OE Reference No | | K108002K50 - 3434382400 - 1227598 | |
| Application | | ST6 | |
| Description | | Caliper Repair Kit | |
| Name | Qty. | | |
| 1 T3 | 1 | Guide Pin Ø36x114mm | |
| 2 C2 | 1 | Screw M16x1,5x87mm | |
| 3 T532 | 1 | Guide Pin Ø36x64mm | |
| 4 C8 | 1 | Screw M16x1,5x70mm | |
| 5 B2 | 1 | Bush | |
| 6 B17 | 1 | Bush | |
| 7 K9 | 2 | Boot | |
| 8 P1 | 2 | Ring | |
| 9 S10 | 1 | Metal Cap | |
| 10 S16 | 1 | Metal Cap | |



| ANDAC No | | 0810 10958 | |
|-----------------|------|---------------------|--|
| OE Reference No | | K001691 | |
| Application | | ST6 | |
| Description | | Caliper Repair Kit | |
| Name | Qty. | | |
| 1 T3 | 1 | Guide Pin Ø36x114mm | |
| 2 C2 | 1 | Screw M16x1,5x87mm | |
| 3 B2 | 1 | Bush | |
| 4 K9 | 1 | Boot | |
| 5 P1 | 1 | Ring | |
| 6 S10 | 1 | Metal Cap | |
| 7 S16 | 1 | Metal Cap | |



KNORR ST6

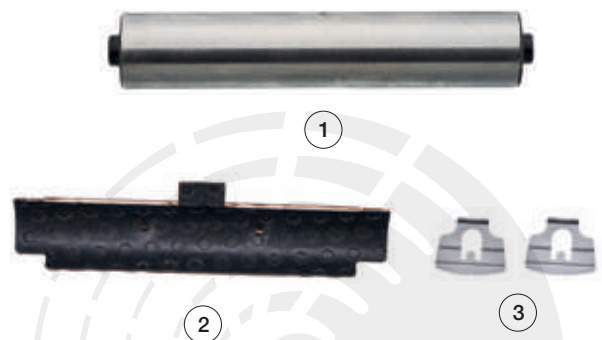
| | | |
|------------------------|--------------------|----------------------|
| ANDAC No | 0810 10959 | |
| OE Reference No | K001692 | |
| Application | ST6 | |
| Description | Caliper Repair Kit | |
| | Name | Qty. |
| 1 | C2 | 1 Screw M16x1,5x87mm |
| 2 | T7 | 1 Guide Pin Ø36x64mm |
| 3 | C8 | 1 Screw M16x1,5x70mm |
| 4 | B17 | 1 Bush |
| 5 | K9 | 1 Boot |
| 6 | P1 | 1 Ring |
| 7 | S10 | 1 Metal Cap |
| 8 | S16 | 1 Metal Cap |



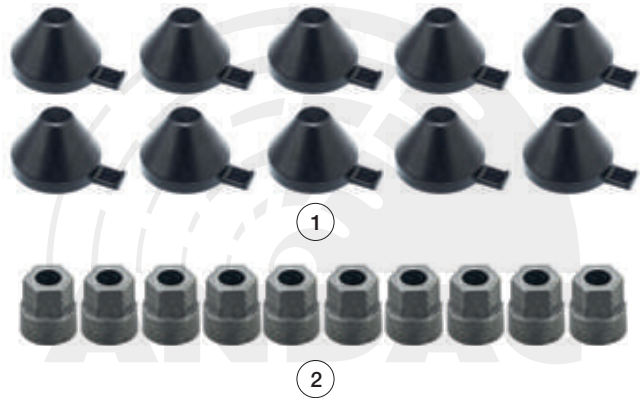
| | | |
|------------------------|--------------------|----------------------|
| ANDAC No | 0810 10195 | |
| OE Reference No | | |
| Application | ST6 | |
| Description | Caliper Repair Kit | |
| | Name | Qty. |
| 1 | T7 | 1 Guide Pin Ø36x64mm |
| 2 | C8 | 1 Screw M16x1,5x70mm |
| 3 | B16 | 1 Bush (Slotted) |
| 4 | K9 | 1 Boot |
| 5 | P1 | 1 Ring |
| 6 | S16 | 1 Metal Cap |



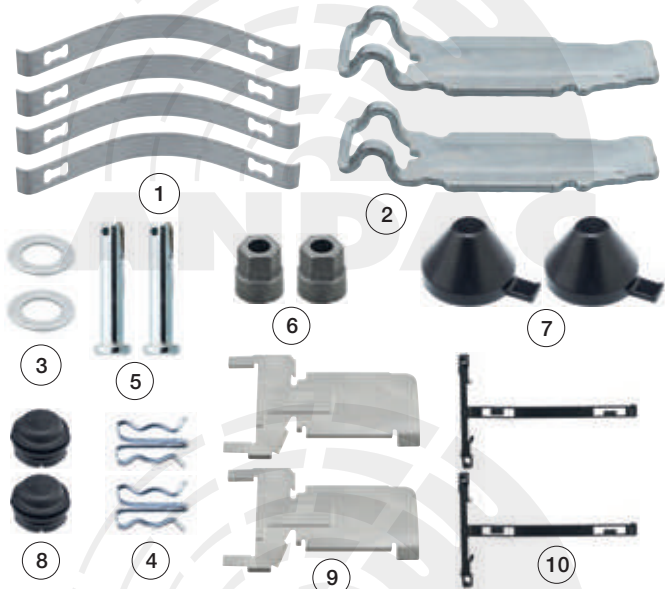
| | | |
|------------------------|---------------------------|-----------------|
| ANDAC No | 0810 10260 | |
| OE Reference No | | |
| Application | ST6 | |
| Description | Caliper Lever Bearing Kit | |
| | Name | Qty. |
| 1 | T200 | 1 Lever Pin |
| 2 | S20 | 1 Lever Bearing |
| 3 | S61 | 2 Metal Sheet |



| ANDAC No | | 0810 10233 | |
|-----------------|------|-------------------------------------|--|
| OE Reference No | | K000029 - 0004234687 - 81508226021 | |
| Application | | ST6 | |
| Description | | Caliper Adjusting Mechanism Cap Set | |
| Name | Qty. | | |
| 1 K12 | 10 | Rubber Cap (Ø38mm) | |
| 2 T20 | 10 | Calibration Loaf | |
| | | | |
| | | | |
| | | | |
| | | | |



| ANDAC No | | 0810 10951 | |
|-----------------|------|----------------------------|--|
| OE Reference No | | | |
| Application | | ST6 | |
| Description | | Caliper Pad Retainer Kit | |
| Name | Qty. | | |
| 1 S164 | 4 | Retention Spring | |
| 2 S92 | 2 | Pad Retainer (25mm) | |
| 3 S18 | 2 | Washer | |
| 4 S19 | 2 | Cotter Pin | |
| 5 T9 | 2 | Detent Pin | |
| 6 T20 | 2 | Calibration Loaf | |
| 7 K12 | 2 | Rubber Cap (Ø38mm) | |
| 8 K15 | 2 | Rubber Tap | |
| 9 S261 | 2 | Pad Protection Metal Sheet | |
| 10 P98 | 2 | Pad Cable Retainer | |
| | | | |
| | | | |

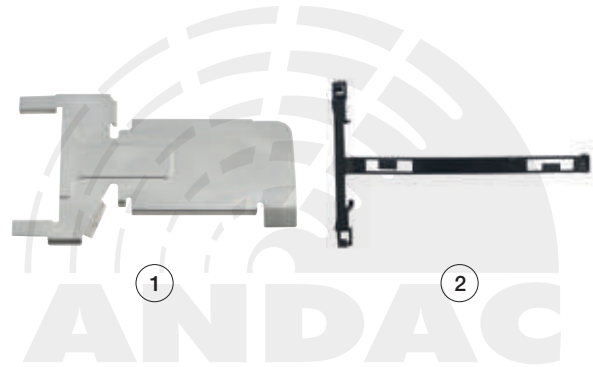


| ANDAC No | | 0810 10355 | |
|-----------------|------|--------------------------|--|
| OE Reference No | | | |
| Application | | ST6 | |
| Description | | Caliper Pad Retainer Kit | |
| Name | Qty. | | |
| 1 S92 | 2 | Pad Retainer (25mm) | |
| 2 S18 | 2 | Washer | |
| 3 S19 | 2 | Cotter Pin | |
| 4 T9 | 2 | Detent Pin | |
| 5 K12 | 2 | Rubber Cap (Ø38mm) | |
| 6 K15 | 2 | Rubber Tap | |
| 7 T20 | 2 | Calibration Loaf | |
| | | | |
| | | | |

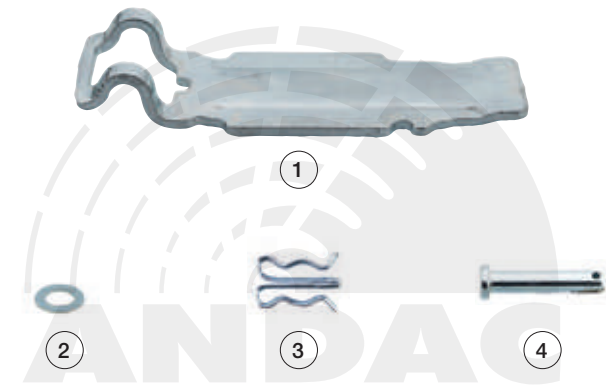


KNORR ST6

| | | |
|------------------------|--------------------------|-------------|
| ANDAC No | 0810 10952 | |
| OE Reference No | | |
| Application | ST6 | |
| Description | Caliper Pad Retainer Kit | |
| | Name | Qty. |
| 1 | S261 | 1 |
| 2 | P98 | 1 |
| | | |
| | | |



| | | |
|------------------------|--------------------------|-------------|
| ANDAC No | 0810 10311 | |
| OE Reference No | | |
| Application | ST6 | |
| Description | Caliper Pad Retainer Kit | |
| | Name | Qty. |
| 1 | S92 | 1 |
| 2 | S18 | 1 |
| 3 | S19 | 1 |
| 4 | T9 | 1 |
| | | |
| | | |



| | | |
|------------------------|---|-------------|
| ANDAC No | 0810 10244 | |
| OE Reference No | 1448600 - 0980106330 - 42541412 - Z004357 | |
| Application | ST6 | |
| Description | Caliper Repair Kit | |
| | Name | Qty. |
| 1 | P1 | 1 |
| 2 | K9 | 1 |
| | | |
| | | |



| | | |
|------------------------|--------------------|-------------|
| ANDAC No | 0810 10249 | |
| OE Reference No | | |
| Application | ST6 | |
| Description | Caliper Repair Kit | |
| | Name | Qty. |
| 1 | K106 | 1 |
| | | |
| | | |



KNORR ST6

| | | | |
|--------------------|------|-------------------|--------------|
| ANDAC No | | 0810 10250 | |
| OE Reference No | | | |
| Application | | ST6 | |
| Description | | Caliper Seal | |
| | Name | Qty. | |
| 1 | K108 | 1 | Seal (Ø42mm) |
| | | | |
| | | | |



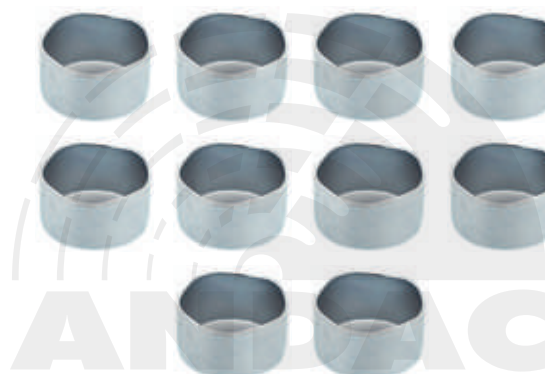
| | | | |
|--------------------|------|-------------------|--------------|
| ANDAC No | | 0810 10251 | |
| OE Reference No | | | |
| Application | | ST6 | |
| Description | | Caliper Seal | |
| | Name | Qty. | |
| 1 | K109 | 1 | Seal (Ø45mm) |
| | | | |
| | | | |



| | | | |
|--------------------|------|-------------------|-----------|
| ANDAC No | | 0810 10317 | |
| OE Reference No | | | |
| Application | | ST6 | |
| Description | | Caliper Cap Set | |
| | Name | Qty. | |
| 1 | S97 | 10 | Metal Cap |
| | | | |
| | | | |



| | | | |
|--------------------|------|-------------------|-----------|
| ANDAC No | | 0810 10380 | |
| OE Reference No | | | |
| Application | | ST6 | |
| Description | | Caliper Cap Set | |
| | Name | Qty. | |
| 1 | S16 | 10 | Metal Cap |
| | | | |
| | | | |



KNORR ST6

| | | | |
|------------------------|-------------|--------------------------------|-----------|
| ANDAC No | | 0810 10373 | |
| OE Reference No | | | |
| Application | | ST6 | |
| Description | | Caliper Pin Protection Cap Kit | |
| | Name | Qty. | |
| 1 | P75 | 5 | Pin Cover |
| | | | |
| | | | |



| | | | |
|------------------------|-------------|--------------------------------|-----------|
| ANDAC No | | 0810 10374 | |
| OE Reference No | | | |
| Application | | ST6 | |
| Description | | Caliper Pin Protection Cap Kit | |
| | Name | Qty. | |
| 1 | P76 | 5 | Pin Cover |
| | | | |
| | | | |



KNORR BREMSE
SL7-SM7-ST7

KNORR
SL7-SM7-ST7



KNORR SL7-SM7-ST7

| | | |
|------------------------|----------------------------------|-------------------|
| ANDAC No | 0810 10110 | |
| OE Reference No | | |
| Application | SL7 / SM7 / ST7 | |
| Description | Caliper Tappet Repair Kit (69mm) | |
| | Name | Qty. |
| 1 | K1T62 | 1 Tappet and Boot |
| 2 | K2 | 1 Dust Cover |
| 3 | B11 | 1 Bush |



| | | |
|------------------------|----------------------------------|-------------------|
| ANDAC No | 0810 10368 | |
| OE Reference No | | |
| Application | SL7 / SM7 / ST7 | |
| Description | Caliper Tappet Repair Kit (69mm) | |
| | Name | Qty. |
| 1 | K1T62 | 1 Tappet and Boot |
| 2 | K150 | 1 Dust Cover |
| 3 | B11 | 1 Bush |



| | | |
|------------------------|----------------------------------|-------------------|
| ANDAC No | 0810 10319 | |
| OE Reference No | | |
| Application | SL7 / SM7 / ST7 | |
| Description | Caliper Tappet Repair Kit (69mm) | |
| | Name | Qty. |
| 1 | K1T62 | 2 Tappet and Boot |
| 2 | B11 | 2 Bush |



| | | |
|------------------------|---|-------------------|
| ANDAC No | 0810 10111 | |
| OE Reference No | K046523 - A000 423 0316 - K108004K50 - K108004K64 - K108004K62 - 1227579 - 3434382300 | |
| Application | SL7 / SM7 / ST7 | |
| Description | Caliper Tappet Repair Kit (69mm) | |
| | Name | Qty. |
| 1 | K1T62 | 2 Tappet and Boot |
| 2 | K2 | 2 Dust Cover |
| 3 | B11 | 2 Bush |



KNORR SL7-SM7-ST7

| | | |
|------------------------|---|-------------------|
| ANDAC No | 0810 10369 | |
| OE Reference No | K046523 - A000 423 0316 - K108004K50 - K108004K64 - K108004K62 - 1227579 - 3434382300 | |
| Application | SL7 / SM7 / ST7 | |
| Description | Caliper Tappet Repair Kit (69mm) | |
| | Name | Qty. |
| 1 | K1T62 | 2 Tappet and Boot |
| 2 | K150 | 2 Dust Cover |
| 3 | B11 | 2 Bush |

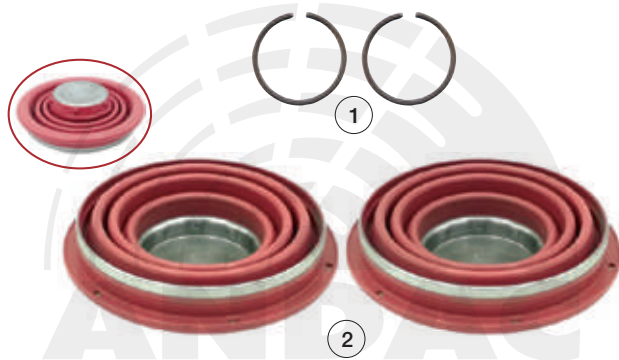


KNORR
SL7-SM7-ST7

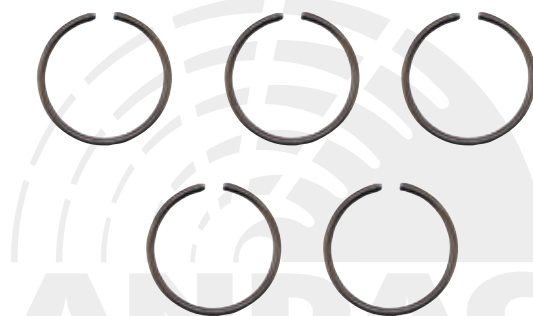
| | | |
|------------------------|---------------------------|-------------------|
| ANDAC No | 0810 10393 | |
| OE Reference No | | |
| Application | SL7 New Version | |
| Description | Caliper Tappet Repair Kit | |
| | Name | Qty. |
| 1 | SK27 | 2 Circlip |
| 2 | K150 | 2 Dust Cover |
| 3 | K169 | 2 Tappet and Boot |



| | | |
|------------------------|---------------------------|-------------------|
| ANDAC No | 0810 10394 | |
| OE Reference No | K017549 M2-M1 | |
| Application | SL7 New Version | |
| Description | Caliper Tappet Repair Kit | |
| | Name | Qty. |
| 1 | SK27 | 2 Circlip |
| 2 | K169 | 2 Tappet and Boot |



| | | |
|------------------------|---------------------------|-------------|
| ANDAC No | 0810 10395 | |
| OE Reference No | K017549 M2-M1 | |
| Application | SL7 New Version | |
| Description | Caliper Tappet Repair Kit | |
| | Name | Qty. |
| 1 | SK27 | 5 Circlip |



KNORR SL7-SM7-ST7

| | | | |
|------------------------|-------------|-------------------|-------|
| ANDAC No | | 0810 10117 | |
| OE Reference No | | | |
| Application | | SL7 / SL7 New | |
| Description | | Caliper Lever | |
| | Name | Qty. | |
| 1 | T216 | 1 | Lever |
| | | | |
| | | | |



| | | | |
|------------------------|-------------|-------------------|-------|
| ANDAC No | | 0810 10118 | |
| OE Reference No | | | |
| Application | | SL7 / SM7 | |
| Description | | Caliper Lever | |
| | Name | Qty. | |
| 1 | T220 | 1 | Lever |
| | | | |
| | | | |



| | | | |
|------------------------|-------------|-------------------|-------|
| ANDAC No | | 0810 10392 | |
| OE Reference No | | | |
| Application | | ST7 | |
| Description | | Caliper Lever | |
| | Name | Qty. | |
| 1 | T634 | 1 | Lever |
| | | | |
| | | | |



| | | | |
|------------------------|-------------|------------------------|----------------|
| ANDAC No | | 0810 10131 | |
| OE Reference No | | | |
| Application | | SL7 / SM7 / ST7 | |
| Description | | Caliper Roller Bearing | |
| | Name | Qty. | |
| 1 | R17 | 2 | Roller Bearing |
| | | | |
| | | | |



KNORR SL7-SM7-ST7

| | | | |
|--------------------|------|-------------------------|--------|
| ANDAC No | | 0810 10140 | |
| OE Reference No | | | |
| Application | | SL7 / SM7 / ST7 | |
| Description | | Caliper Bridge Assembly | |
| | Name | Qty. | |
| 1 | T13 | 1 | Bridge |



| | | | |
|--------------------|------|-------------------|--------|
| ANDAC No | | 0810 10141 | |
| OE Reference No | | | |
| Application | | SL7 / SM7 / ST7 | |
| Description | | Caliper Bridge | |
| | Name | Qty. | |
| 1 | T13 | 1 | Bridge |
| 2 | Y3 | 1 | Spring |



| | | | |
|--------------------|------|-------------------------|---------------------------|
| ANDAC No | | 0810 10259 | |
| OE Reference No | | | |
| Application | | SL7 / SM7 / ST7 | |
| Description | | Caliper Bridge Assembly | |
| | Name | Qty. | |
| 1 | T13 | 1 | Bridge |
| 2 | T207 | 2 | Calibration Bolt 3 Thread |
| 3 | Y3 | 1 | Spring |



| | | | |
|--------------------|------|-------------------------|------------------|
| ANDAC No | | 0810 10412 | |
| OE Reference No | | | |
| Application | | SL7 New | |
| Description | | Caliper Bridge Assembly | |
| | Name | Qty. | |
| 1 | T13 | 1 | Bridge |
| 2 | T626 | 2 | Calibration Bolt |
| 3 | Y3 | 1 | Spring |



KNORR SL7-SM7-ST7

| | | | |
|------------------------|-------------|-------------------------|---------------------------|
| ANDAC No | | 0810 10148 | |
| OE Reference No | | | |
| Application | | SL7 / SM7 / ST7 | |
| Description | | Caliper Bridge Assembly | |
| | Name | Qty. | |
| 1 | T207 | 1 | Calibration Bolt 3 Thread |
| | | | |
| | | | |



| | | | |
|------------------------|-------------|-------------------------|------------------|
| ANDAC No | | 0810 10396 | |
| OE Reference No | | | |
| Application | | SL7 New Version | |
| Description | | Caliper Bridge Assembly | |
| | Name | Qty. | |
| 1 | T626 | 1 | Calibration Bolt |
| | | | |
| | | | |



| | | | |
|------------------------|-------------|-----------------------------|---------------------|
| ANDAC No | | 0810 10149 | |
| OE Reference No | | | |
| Application | | SL7 / SM7 / ST7 | |
| Description | | Caliper Adjusting Mechanism | |
| | Name | Qty. | |
| 1 | T120 | 1 | Adjusting Mechanism |
| 2 | T130 | 1 | Mechanism Gear |
| | | | |
| | | | |



| | | | |
|------------------------|-------------|-----------------------------|---------------------|
| ANDAC No | | 0810 10345 | |
| OE Reference No | | | |
| Application | | SL7 / SM7 / ST7 | |
| Description | | Caliper Adjusting Mechanism | |
| | Name | Qty. | |
| 1 | T386 | 1 | Adjusting Mechanism |
| 2 | T130 | 1 | Mechanism Gear |
| 3 | T20 | 1 | Calibration Loaf |
| | | | |
| | | | |



KNORR SL7-SM7-ST7

| | | | |
|-----------------|------|-----------------------------|---------------------|
| ANDAC No | | 0810 10353 | |
| OE Reference No | | | |
| Application | | SL7 / SM7 | |
| Description | | Caliper Adjusting Mechanism | |
| | Name | Qty. | |
| 1 | T342 | 1 | Adjusting Mechanism |
| 2 | T130 | 1 | Mechanism Gear |
| 3 | T20 | 1 | Calibration Loaf |



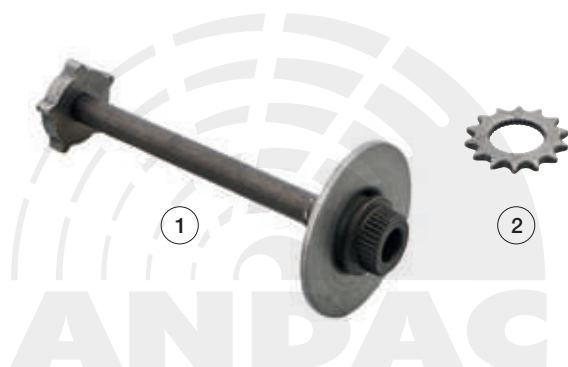
| | | | |
|-----------------|------|-----------------------------|---------------------|
| ANDAC No | | 0810 10152 | |
| OE Reference No | | | |
| Application | | SL7 / SM7 / ST7 | |
| Description | | Caliper Adjusting Mechanism | |
| | Name | Qty. | |
| 1 | T122 | 1 | Adjusting Mechanism |



| | | | |
|-----------------|------|-----------------------------|---------------------|
| ANDAC No | | 0810 10153 | |
| OE Reference No | | | |
| Application | | SL7 / SM7 / ST7 | |
| Description | | Caliper Adjusting Mechanism | |
| | Name | Qty. | |
| 1 | T208 | 1 | Adjusting Mechanism |



| | | | |
|-----------------|------|-----------------------------|---------------------|
| ANDAC No | | 0810 10154 | |
| OE Reference No | | | |
| Application | | SL7 / SM7 / ST7 | |
| Description | | Caliper Adjusting Mechanism | |
| | Name | Qty. | |
| 1 | T209 | 1 | Adjusting Mechanism |
| 2 | T130 | 1 | Mechanism Gear |



KNORR SL7-SM7-ST7

| | | | |
|------------------------|-------------|-----------------------------|---------------------|
| ANDAC No | | 0810 10354 | |
| OE Reference No | | | |
| Application | | SL7 / SM7 | |
| Description | | Caliper Adjusting Mechanism | |
| | Name | Qty. | |
| 1 | T343 | 1 | Adjusting Mechanism |
| 2 | T130 | 1 | Mechanism Gear |



| | | | |
|------------------------|-------------|-----------------------------|---------------------|
| ANDAC No | | 0810 10261 | |
| OE Reference No | | | |
| Application | | SL7 / SM7 / ST7 | |
| Description | | Caliper Adjusting Mechanism | |
| | Name | Qty. | |
| 1 | T269 | 1 | Adjusting Mechanism |



| | | | |
|------------------------|-------------|------------------------|----------------|
| ANDAC No | | 0810 10238 | |
| OE Reference No | | | |
| Application | | SL7 / SM7 / ST7 | |
| Description | | Caliper Mechanism Gear | |
| | Name | Qty. | |
| 1 | T130 | 10 | Mechanism Gear |



| | | | |
|------------------------|-------------|------------------------------|------------------|
| ANDAC No | | 0810 10239 | |
| OE Reference No | | Z001548 - 802455 - S-29152-5 | |
| Application | | SL7 / SM7 / ST7 | |
| Description | | Caliper Calibration Loaf | |
| | Name | Qty. | |
| 1 | T20 | 10 | Calibration Loaf |



KNORR SL7-SM7-ST7

| | | | |
|--------------------|------|-------------------|-----------------------|
| ANDAC No | | 0810 10157 | |
| OE Reference No | | | |
| Application | | SL7 / SM7 / ST7 | |
| Description | | Caliper Chain | |
| | Name | Qty. | |
| 1 | T118 | 1 | Caliper Chain 29 Link |



| | | | |
|--------------------|------|---|--------------|
| ANDAC No | | 0810 10158 | |
| OE Reference No | | | |
| Application | | SL7 / SM7 | |
| Description | | Caliper Sensor Cover (Without Sensor) (Open) | |
| | Name | Qty. | |
| 1 | P14 | 1 | Sensor Cover |



| | | | |
|--------------------|------|--|-------------------------------|
| ANDAC No | | 0810 10384 | |
| OE Reference No | | | |
| Application | | SL7 / SM7 / ST7 | |
| Description | | Caliper Sensor Cover (Without Sensor) New Version | |
| | Name | Qty. | |
| 1 | P85 | 1 | Sensor Cover (Without Sensor) |



| | | | |
|--------------------|------|--|-------------------------------|
| ANDAC No | | 0810 10293 | |
| OE Reference No | | | |
| Application | | SL7 / SM7 | |
| Description | | Caliper Sensor Cover (Without Sensor) (Plugged) | |
| | Name | Qty. | |
| 1 | P29 | 1 | Sensor Cover (Without Sensor) |



KNORR SL7-SM7-ST7

| | | | |
|------------------------|------|-------------------------------|-------------------|
| ANDAC No | | 0810 10429 | |
| OE Reference No | | | |
| Application | | ST7 | |
| Description | | Caliper Sensor Cover (Flat) | |
| | Name | Qty. | |
| 1 | P99 | 1 | Sensor Flat Cover |
| | | | |
| | | | |



| | | | |
|------------------------|------|-------------------------------|-------------------|
| ANDAC No | | 0810 10359 | |
| OE Reference No | | | |
| Application | | SL7 / SM7 | |
| Description | | Caliper Sensor Cover (Flat) | |
| | Name | Qty. | |
| 1 | P71 | 1 | Sensor Flat Cover |
| | | | |
| | | | |



| | | | |
|------------------------|------|---|--------------|
| ANDAC No | | 0810 10159 | |
| OE Reference No | | | |
| Application | | SL7 / SM7 | |
| Description | | Caliper Sensor Cover (3 Socket - 2 Cable) | |
| | Name | Qty. | |
| 1 | P2 | 1 | Sensor Cover |
| 2 | P3 | 1 | Clip |
| | | | |
| | | | |



| | | | |
|------------------------|------|--|--------------|
| ANDAC No | | 0810 10385 | |
| OE Reference No | | | |
| Application | | SL7 / SM7 | |
| Description | | Caliper Sensor Cover (3 Socket - 2 Cable) New Version | |
| | Name | Qty. | |
| 1 | P86 | 1 | Sensor Cover |
| 2 | P3 | 1 | Clip |
| | | | |
| | | | |



KNORR SL7-SM7-ST7

| | | | |
|--------------------|------|---|--------------|
| ANDAC No | | 0810 10160 | |
| OE Reference No | | | |
| Application | | SL7 / SM7 | |
| Description | | Caliper Sensor Cover (3 Socket - 3 Cable) (Mercedes) | |
| | Name | Qty. | |
| 1 | P23 | 1 | Sensor Cover |
| 2 | P3 | 1 | Clip |



| | | | |
|--------------------|------|---|--------------|
| ANDAC No | | 0810 10386 | |
| OE Reference No | | | |
| Application | | SL7 / SM7 | |
| Description | | Caliper Sensor Cover (3 Socket - 3 Cable) New Version Mercedes | |
| | Name | Qty. | |
| 1 | P87 | 1 | Sensor Cover |
| 2 | P3 | 1 | Clip |



| | | | |
|--------------------|------|--|--------------|
| ANDAC No | | 0810 10161 | |
| OE Reference No | | | |
| Application | | SL7 / SM7 | |
| Description | | Caliper Sensor Cover (3 Socket - 3 Cable) (MAN) | |
| | Name | Qty. | |
| 1 | P15 | 1 | Sensor Cover |
| 2 | P3 | 1 | Clip |



| | | | |
|--------------------|------|--|--------------|
| ANDAC No | | 0810 10387 | |
| OE Reference No | | | |
| Application | | SL7 / SM7 | |
| Description | | Caliper Sensor Cover (3 Socket - 3 Cable) New Version MAN | |
| | Name | Qty. | |
| 1 | P88 | 1 | Sensor Cover |
| 2 | P3 | 1 | Clip |

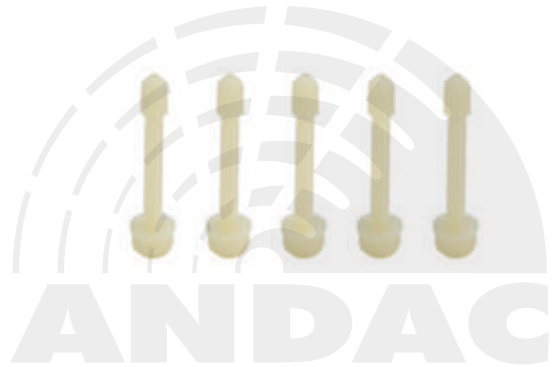


KNORR SL7-SM7-ST7

| | | | |
|------------------------|-------------|------------------------|----------------|
| ANDAC No | | 0810 10363 | |
| OE Reference No | | | |
| Application | | SL7 / SM7 | |
| Description | | Caliper Sensor Lattice | |
| | Name | Qty. | |
| 1 | P10 | 5 | Sensor Lattice |
| | | | |
| | | | |
| | | | |



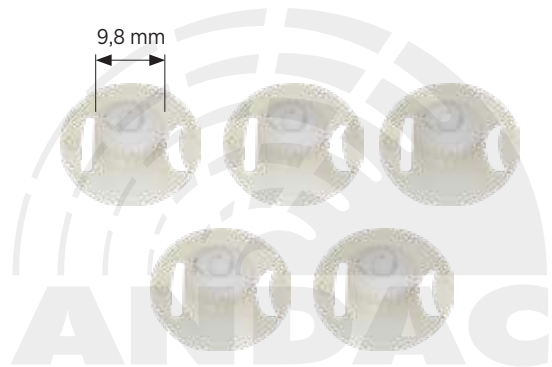
| | | | |
|------------------------|-------------|--------------------|------------|
| ANDAC No | | 0810 10391 | |
| OE Reference No | | | |
| Application | | SL7 / SM7 | |
| Description | | Caliper Sensor Pin | |
| | Name | Qty. | |
| 1 | P93 | 5 | Sensor Pin |
| | | | |
| | | | |
| | | | |



| | | | |
|------------------------|-------------|---------------------|------|
| ANDAC No | | 0810 10253 | |
| OE Reference No | | | |
| Application | | SL7 / SM7 | |
| Description | | Caliper Sensor Clip | |
| | Name | Qty. | |
| 1 | P3 | 5 | Clip |
| | | | |
| | | | |
| | | | |

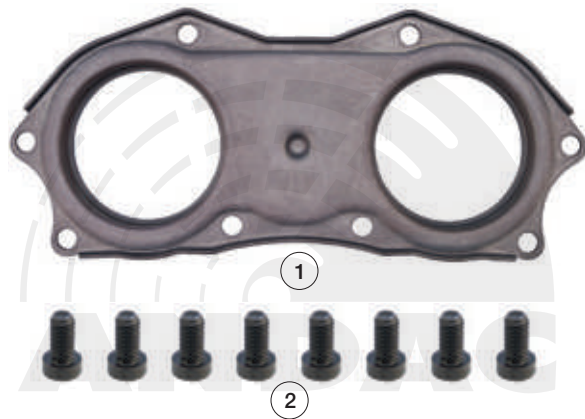


| | | | |
|------------------------|-------------|---------------------|------|
| ANDAC No | | 0810 10320 | |
| OE Reference No | | | |
| Application | | SL7 / SM7 | |
| Description | | Caliper Sensor Clip | |
| | Name | Qty. | |
| 1 | P40 | 5 | Clip |
| | | | |
| | | | |
| | | | |



KNORR SL7-SM7-ST7

| | | | |
|------------------------|-------------|-------------------|-------------|
| ANDAC No | | 0810 10165 | |
| OE Reference No | | | |
| Application | | SM7 / ST7 | |
| Description | | Caliper Cover | |
| | Name | Qty. | |
| 1 | S73 | 1 | Cover |
| 2 | C7 | 8 | Cover Screw |



KNORR
SL7-SM7-ST7

| | | | |
|------------------------|-------------|-------------------|------------------|
| ANDAC No | | 0810 10166 | |
| OE Reference No | | | |
| Application | | SL7 | |
| Description | | Caliper Cover | |
| | Name | Qty. | |
| 1 | S74 | 1 | Cover |
| 2 | C7 | 6 | Cover Screw |
| 3 | C50 | 2 | Cover Side Screw |



| | | | |
|------------------------|-------------|-------------------|-------|
| ANDAC No | | 0810 10397 | |
| OE Reference No | | | |
| Application | | SL7 New Version | |
| Description | | Caliper Cover | |
| | Name | Qty. | |
| 1 | S226 | 1 | Cover |



KNORR SL7-SM7-ST7

| ANDAC No | | 0810 10277 | |
|-----------------|------|---------------------------|--|
| OE Reference No | | | |
| Application | | SL7 / SM7 | |
| Description | | Caliper Repair Kit | |
| Name | Qty. | | |
| 1 T220 | 1 | Lever | |
| 2 T13 | 1 | Bridge | |
| 3 T207 | 2 | Calibration Bolt 3 Thread | |
| 4 Y3 | 1 | Spring | |
| 5 KIT62 | 2 | Tappet and Boot (69mm) | |
| 6 K2 | 2 | Dust Cover | |
| 7 B11 | 2 | Bush | |
| 8 R17 | 2 | Roller Bearing | |
| 9 T386 | 1 | Adjusting Mechanism | |
| 10 T130 | 2 | Mechanism Gear | |
| 11 T20 | 1 | Calibration Loaf | |
| 12 T209 | 1 | Adjusting Mechanism | |
| 13 T118 | 1 | Caliper Chain 29 Link | |



| ANDAC No | | 0810 10410 | |
|-----------------|------|---------------------------|--|
| OE Reference No | | | |
| Application | | ST7 | |
| Description | | Caliper Repair Kit | |
| Name | Qty. | | |
| 1 T634 | 1 | Lever | |
| 2 T13 | 1 | Bridge | |
| 3 T207 | 2 | Calibration Bolt 3 Thread | |
| 4 Y3 | 1 | Spring | |
| 5 KIT62 | 2 | Tappet and Boot (69mm) | |
| 6 K2 | 2 | Dust Cover | |
| 7 B11 | 2 | Bush | |
| 8 R17 | 2 | Roller Bearing | |
| 9 T386 | 1 | Adjusting Mechanism | |
| 10 T130 | 2 | Mechanism Gear | |
| 11 T20 | 1 | Calibration Loaf | |
| 12 T209 | 1 | Adjusting Mechanism | |
| 13 T118 | 1 | Caliper Chain 29 Link | |



KNORR SL7-SM7-ST7

| | | | |
|------------------------|-------------|--|-------------------------------------|
| ANDAC No | | 0810 10208 | |
| OE Reference No | | K001915 - 1639100 - K048389K50 - 81508226037 - 81.50822-6037 - 1847716 - K126962 | |
| Application | | SL7 / SM7 | |
| Description | | Caliper Repair Kit | |
| | Name | Qty. | |
| 1 | T3 | 1 | Guide Pin Ø36x114mm |
| 2 | C2 | 1 | Screw M16x1,5x87mm |
| 3 | T4 | 1 | Guide Pin Ø32x80mm |
| 4 | C3 | 1 | Screw M16x1,5x80mm |
| 5 | K9 | 1 | Boot |
| 6 | P1 | 1 | Ring |
| 7 | S10 | 1 | Metal Tap |
| 8 | K7 | 1 | Metal - Rubber Bush (Short) (Ø39mm) |
| 9 | B2 | 1 | Bush |



| | | | |
|------------------------|-------------|-----------------------------------|---------------------|
| ANDAC No | | 0810 10372 | |
| OE Reference No | | K108002K50 - 3434382400 - 1227598 | |
| Application | | ST7 | |
| Description | | Caliper Repair Kit | |
| | Name | Qty. | |
| 1 | T3 | 1 | Guide Pin Ø36x114mm |
| 2 | C2 | 1 | Screw M16x1,5x87mm |
| 3 | T532 | 1 | Guide Pin Ø36x64mm |
| 4 | C8 | 1 | Screw M16x1,5x70mm |
| 5 | B2 | 1 | Bush |
| 6 | B17 | 1 | Bush |
| 7 | K9 | 2 | Boot |
| 8 | P1 | 2 | Ring |
| 9 | S10 | 1 | Metal Cap |
| 10 | S16 | 1 | Metal Cap |



| | | | |
|------------------------|-------------|--------------------|------------------------------------|
| ANDAC No | | 0810 10211 | |
| OE Reference No | | | |
| Application | | SL7 / SM7 | |
| Description | | Caliper Repair Kit | |
| | Name | Qty. | |
| 1 | T4 | 1 | Guide Pin Ø32x80mm |
| 2 | C3 | 1 | Screw M16x1,5x80mm |
| 3 | K5 | 1 | Metal - Rubber Bush (Long) (Ø39mm) |
| 4 | K9 | 1 | Boot |
| 5 | P1 | 1 | Ring |
| 6 | S10 | 1 | Metal Cap |
| 7 | S1 | 1 | Pin Cap |
| 8 | B2 | 1 | Bush |



| | | | |
|------------------------|-------------|--------------------|------------------------------------|
| ANDAC No | | 0810 10212 | |
| OE Reference No | | | |
| Application | | SL7 / SM7 | |
| Description | | Caliper Repair Kit | |
| | Name | Qty. | |
| 1 | T244 | 1 | Guide Pin Ø32x88,5mm |
| 2 | C3 | 1 | Screw M16x1,5x80mm |
| 3 | K5 | 1 | Metal - Rubber Bush (Long) (Ø39mm) |
| 4 | K9 | 1 | Boot |
| 5 | P1 | 1 | Ring |
| 6 | S10 | 1 | Metal Cap |
| 7 | B2 | 1 | Bush |



| | | | |
|------------------------|-------------|-----------------------|---------------|
| ANDAC No | | 0810 10237 | |
| OE Reference No | | | |
| Application | | SL7 / SM7 / ST7 | |
| Description | | Caliper Lever Bearing | |
| | Name | Qty. | |
| 1 | S20 | 1 | Lever Bearing |



KNORR SL7-SM7-ST7

| | | | |
|------------------------|------|-------------------------------------|--------------------|
| ANDAC No | | 0810 10233 | |
| OE Reference No | | K000029 - 0004234687 - 81508226021 | |
| Application | | SL7 / SM7 / ST7 | |
| Description | | Caliper Adjusting Mechanism Cap Set | |
| | Name | Qty. | |
| 1 | K12 | 10 | Rubber Cap (Ø38mm) |
| 2 | T20 | 10 | Calibration Loaf |
| | | | |
| | | | |
| | | | |
| | | | |
| | | | |
| | | | |



| | | | |
|------------------------|------|--------------------------|--------------------|
| ANDAC No | | 0810 10235 | |
| OE Reference No | | | |
| Application | | SL7 / SM7 / ST7 | |
| Description | | Caliper Pad Retainer Kit | |
| | Name | Qty. | |
| 1 | K12 | 2 | Rubber Cap (Ø38mm) |
| 2 | S18 | 2 | Washer |
| 3 | S19 | 2 | Cotter Pin |
| 4 | T9 | 2 | Detent Pin |
| 5 | K15 | 2 | Rubber Tap |
| 6 | T20 | 2 | Calibration Loaf |
| | | | |
| | | | |
| | | | |
| | | | |
| | | | |



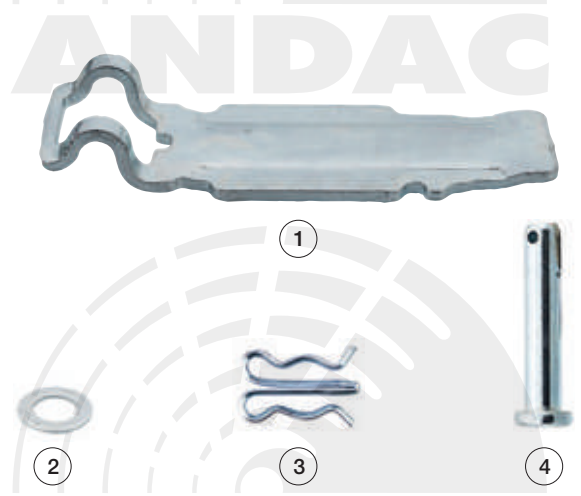
| | | | |
|------------------------|------|--------------------|--------------------|
| ANDAC No | | 0810 10241 | |
| OE Reference No | | | |
| Application | | SL7 / SM7 / ST7 | |
| Description | | Caliper Repair Kit | |
| | Name | Qty. | |
| 1 | K12 | 1 | Rubber Cap (Ø38mm) |
| 2 | K13 | 1 | Rubber Cap (Ø35mm) |
| 3 | K15 | 1 | Rubber Tap |
| 4 | T20 | 1 | Calibration Loaf |
| | | | |
| | | | |
| | | | |
| | | | |
| | | | |



| | | | |
|------------------------|-------------|--------------------------------|--------------------|
| ANDAC No | | 0810 10403 | |
| OE Reference No | | WVA29244 - 29246 - A0064205320 | |
| Application | | SL7 | |
| Description | | Pad Retainer Kit | |
| | Name | Qty. | |
| 1 | S225 | 4 | Retentiton Spring |
| 2 | S18 | 2 | Washer |
| 3 | S19 | 2 | Cotter Pin |
| 4 | T9 | 2 | Detent Pin |
| 5 | K12 | 2 | Rubber Cap (Ø38mm) |
| 6 | K15 | 2 | Rubber Tap |
| 7 | T20 | 2 | Calibration Loaf |



| | | | |
|------------------------|-------------|--------------------------|---------------------|
| ANDAC No | | 0810 10311 | |
| OE Reference No | | K000133 | |
| Application | | SL7 / SM7 / ST7 | |
| Description | | Caliper Pad Retainer Kit | |
| | Name | Qty. | |
| 1 | S92 | 1 | Pad Retainer (25mm) |
| 2 | S18 | 1 | Washer |
| 3 | S19 | 1 | Cotter Pin |
| 4 | T9 | 1 | Detent Pin |



| | | | |
|------------------------|-------------|---|-------------|
| ANDAC No | | 0810 10244 | |
| OE Reference No | | 1448600 - 0980106330 - 42541412 - Z004357 | |
| Application | | SL7 / SM7 / ST7 | |
| Description | | Caliper Repair Kit | |
| | Name | Qty. | |
| 1 | P1 | 1 | Teflon Ring |
| 2 | K9 | 1 | Boot |



KNORR SL7-SM7-ST7

| | | | |
|--------------------|------|--------------------|------------|
| ANDAC No | | 0810 10249 | |
| OE Reference No | | | |
| Application | | SL7 / SM7 / ST7 | |
| Description | | Caliper Repair Kit | |
| | Name | Qty. | |
| 1 | K106 | 1 | Rubber Tap |
| | | | |
| | | | |



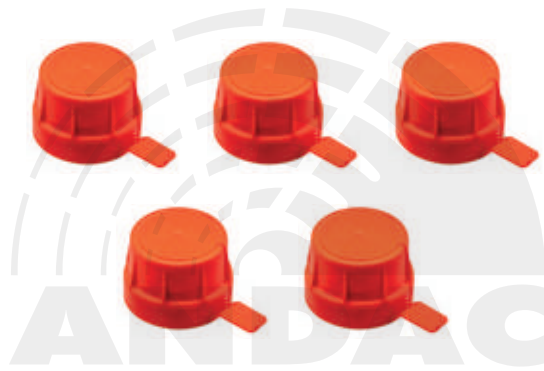
| | | | |
|--------------------|------|-------------------|-----------|
| ANDAC No | | 0810 10380 | |
| OE Reference No | | | |
| Application | | SL7 / SM7 / ST7 | |
| Description | | Caliper Cap Set | |
| | Name | Qty. | |
| 1 | S16 | 10 | Metal Cap |
| | | | |
| | | | |



| | | | |
|--------------------|------|--------------------------------|-----------|
| ANDAC No | | 0810 10373 | |
| OE Reference No | | | |
| Application | | SL7 / SM7 / ST7 | |
| Description | | Caliper Pin Protection Cap Kit | |
| | Name | Qty. | |
| 1 | P75 | 5 | Pin Cover |
| | | | |
| | | | |



| | | | |
|--------------------|------|--------------------------------|-----------|
| ANDAC No | | 0810 10374 | |
| OE Reference No | | | |
| Application | | SL7 / SM7 / ST7 | |
| Description | | Caliper Pin Protection Cap Kit | |
| | Name | Qty. | |
| 1 | P76 | 5 | Pin Cover |
| | | | |
| | | | |



| | | | |
|------------------------|-------------|--------------------|-----------------------|
| ANDAC No | | 0810 10439 | |
| OE Reference No | | | |
| Application | | ST7 | |
| Description | | Brake Chamber Seal | |
| | Name | Qty. | |
| 1 | K203 | 10 | Chamber Pressure Seal |
| | | | |
| | | | |
| | | | |



**KNORR BREMSE
BENDIX ADB22X ADB22XL**

**KNORR
BENDIX**



KNORR BENDIX ADB22X ADB22XL

KNORR
BENDIX

| | | |
|------------------------|----------------------------------|-------------------|
| ANDAC No | 0810 10102 | |
| OE Reference No | | |
| Application | ADB22X | |
| Description | Caliper Tappet Repair Kit (69mm) | |
| | Name | Qty. |
| 1 | K1T1 | 1 Tappet and Boot |
| 2 | K2 | 1 Dust Cover |
| 3 | B1 | 1 Bush |



| | | |
|------------------------|----------------------------------|-------------------|
| ANDAC No | 0810 10364 | |
| OE Reference No | | |
| Application | ADB22X | |
| Description | Caliper Tappet Repair Kit (69mm) | |
| | Name | Qty. |
| 1 | K1T1 | 1 Tappet and Boot |
| 2 | K150 | 1 Dust Cover |
| 3 | B1 | 1 Bush |



| | | |
|------------------------|--|-------------------|
| ANDAC No | 0810 10103 | |
| OE Reference No | K092079 - K001300 - K010603 - K000366 - 1689313 - 81508226031 - 0004204982 - 1756389 - 0004202382 - 802119 - 3434381400 | |
| Application | ADB22X | |
| Description | Caliper Tappet Repair Kit (69mm) | |
| | Name | Qty. |
| 1 | K1T1 | 2 Tappet and Boot |
| 2 | K2 | 2 Dust Cover |
| 3 | B1 | 2 Bush |



| | | |
|------------------------|---|-------------------|
| ANDAC No | 0810 10365 | |
| OE Reference No | K092079 - K001300 - K010603 - K000366 - 1689313 - 81508226031 - 0004204982 - 1756389 - 0004202382 - 802119 - 3434381400 - K192251K50 | |
| Application | ADB22X | |
| Description | Caliper Tappet Repair Kit (69mm) (Black with Clamp) | |
| | Name | Qty. |
| 1 | K1T1 | 2 Tappet and Boot |
| 2 | K150 | 2 Dust Cover |
| 3 | B1 | 2 Bush |



KNORR BENDIX ADB22X ADB22XL

| | | | |
|------------------------|----------------------------------|-------------|-----------------|
| ANDAC No | 0810 10104 | | |
| OE Reference No | | | |
| Application | ADB22X | | |
| Description | Caliper Tappet Repair Kit (69mm) | | |
| | Name | Qty. | |
| 1 | K1T1 | 2 | Tappet and Boot |
| 2 | B1 | 2 | Bush |



| | | | |
|------------------------|-------------------|-------------|-------|
| ANDAC No | 0810 10119 | | |
| OE Reference No | | | |
| Application | ADB22X | | |
| Description | Caliper Lever | | |
| | Name | Qty. | |
| 1 | T15 | 1 | Lever |



| | | | |
|------------------------|---|-------------|-----------------|
| ANDAC No | 0810 10111 | | |
| OE Reference No | K046523 - A000 423 0316 - K108004K50 - K108004K64 - K108004K62 - 1227579 - 3434382300 | | |
| Application | ADB22XL | | |
| Description | Caliper Tappet Repair Kit (69mm) | | |
| | Name | Qty. | |
| 1 | K1T62 | 2 | Tappet and Boot |
| 2 | K2 | 2 | Dust Cover |
| 3 | B11 | 2 | Bush |



| | | | |
|------------------------|---|-------------|-----------------|
| ANDAC No | 0810 10369 | | |
| OE Reference No | K046523 - A000 423 0316 - K108004K50 - K108004K64 - K108004K62 - 1227579 - 3434382300 | | |
| Application | ADB22XL | | |
| Description | Caliper Tappet Repair Kit (69mm) | | |
| | Name | Qty. | |
| 1 | K1T62 | 2 | Tappet and Boot |
| 2 | K150 | 2 | Dust Cover |
| 3 | B11 | 2 | Bush |



KNORR BENDIX ADB22X ADB22XL

KNORR
BENDIX

| | | | |
|------------------------|-------------|----------------------------------|-----------------|
| ANDAC No | | 0810 10319 | |
| OE Reference No | | | |
| Application | | ADB22XL | |
| Description | | Caliper Tappet Repair Kit (69mm) | |
| | Name | Qty. | |
| 1 | KIT62 | 2 | Tappet and Boot |
| 2 | B11 | 2 | Bush |
| | | | |
| | | | |



| | | | |
|------------------------|-------------|-------------------|-------|
| ANDAC No | | 0810 10120 | |
| OE Reference No | | | |
| Application | | ADB22X | |
| Description | | Caliper Lever | |
| | Name | Qty. | |
| 1 | T19 | 1 | Lever |
| | | | |
| | | | |



| | | | |
|------------------------|-------------|-------------------|-------|
| ANDAC No | | 0810 10392 | |
| OE Reference No | | | |
| Application | | ADB22XL | |
| Description | | Caliper Lever | |
| | Name | Qty. | |
| 1 | T634 | 1 | Lever |
| | | | |
| | | | |

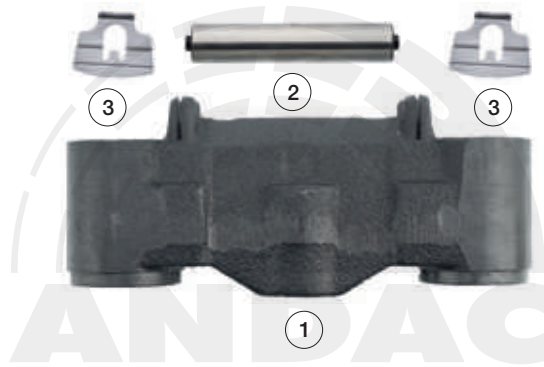


| | | | |
|------------------------|-------------|------------------------|----------------|
| ANDAC No | | 0810 10129 | |
| OE Reference No | | | |
| Application | | ADB22X | |
| Description | | Caliper Roller Bearing | |
| | Name | Qty. | |
| 1 | R15 | 2 | Roller Bearing |
| | | | |
| | | | |

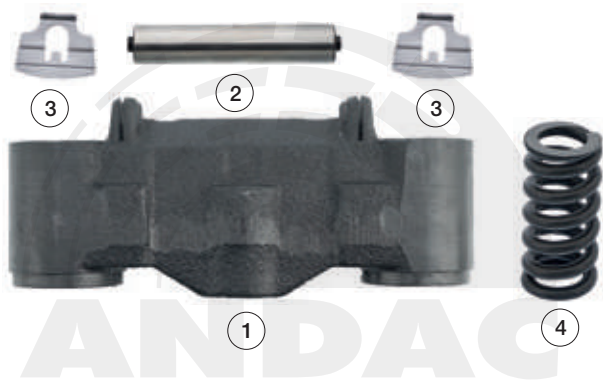


KNORR BENDIX ADB22X ADB22XL

| | | | |
|------------------------|-------------------|------|---------------|
| ANDAC No | 0810 10132 | | |
| OE Reference No | | | |
| Application | ADB22X | | |
| Description | Caliper Bridge | | |
| | Name | Qty. | |
| 1 | T11 | 1 | Bridge |
| 2 | T200 | 1 | Lever Bearing |
| 3 | S61 | 2 | Metal Sheet |



| | | | |
|------------------------|-------------------|------|---------------|
| ANDAC No | 0810 10133 | | |
| OE Reference No | | | |
| Application | ADB22X | | |
| Description | Caliper Bridge | | |
| | Name | Qty. | |
| 1 | T11 | 1 | Bridge |
| 2 | T200 | 1 | Lever Bearing |
| 3 | S61 | 2 | Metal Sheet |
| 4 | Y3 | 1 | Spring |



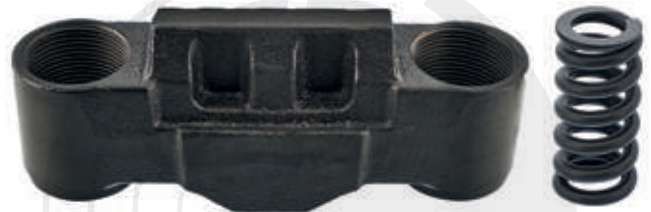
| | | | |
|------------------------|-------------------------|------|---------------------------|
| ANDAC No | 0810 10134 | | |
| OE Reference No | | | |
| Application | ADB22X | | |
| Description | Caliper Bridge Assembly | | |
| | Name | Qty. | |
| 1 | T11 | 1 | Bridge |
| 2 | T200 | 1 | Lever Pin |
| 3 | S61 | 2 | Metal Sheet |
| 4 | T14 | 2 | Calibration Bolt 3 Thread |
| 5 | Y3 | 1 | Spring |



| | | | |
|------------------------|-------------|-------------------------|--------|
| ANDAC No | | 0810 10140 | |
| OE Reference No | | | |
| Application | | ADB22X - ADB22XL | |
| Description | | Caliper Bridge Assembly | |
| | Name | Qty. | |
| 1 | T13 | 1 | Bridge |
| | | | |
| | | | |



| | | | |
|------------------------|-------------|-------------------|--------|
| ANDAC No | | 0810 10141 | |
| OE Reference No | | | |
| Application | | ADB22X - ADB22XL | |
| Description | | Caliper Bridge | |
| | Name | Qty. | |
| 1 | T13 | 1 | Bridge |
| 2 | Y3 | 1 | Spring |
| | | | |
| | | | |



| | | | |
|------------------------|-------------|-------------------------|---------------------------|
| ANDAC No | | 0810 10142 | |
| OE Reference No | | | |
| Application | | ADB22X | |
| Description | | Caliper Bridge Assembly | |
| | Name | Qty. | |
| 1 | T13 | 1 | Bridge |
| 2 | T14 | 2 | Calibration Bolt 3 Thread |
| 3 | Y3 | 1 | Spring |
| | | | |
| | | | |



| | | | |
|------------------------|-------------|-----------------------------------|---------------------------|
| ANDAC No | | 0810 10147 | |
| OE Reference No | | | |
| Application | | ADB22X | |
| Description | | Caliper Calibration Bolt 3 Thread | |
| | Name | Qty. | |
| 1 | T14 | 1 | Calibration Bolt 3 Thread |
| | | | |
| | | | |



KNORR BENDIX ADB22X ADB22XL

| | | | |
|------------------------|-------------|-----------------------------|---------------------|
| ANDAC No | | 0810 10149 | |
| OE Reference No | | | |
| Application | | ADB22X | |
| Description | | Caliper Adjusting Mechanism | |
| | Name | Qty. | |
| 1 | T120 | 1 | Adjusting Mechanism |
| 2 | T130 | 1 | Mechanism Gear |
| | | | |
| | | | |



| | | | |
|------------------------|-------------|-----------------------------|---------------------|
| ANDAC No | | 0810 10345 | |
| OE Reference No | | | |
| Application | | ADB22X | |
| Description | | Caliper Adjusting Mechanism | |
| | Name | Qty. | |
| 1 | T386 | 1 | Adjusting Mechanism |
| 2 | T130 | 1 | Mechanism Gear |
| 3 | T20 | 1 | Calibration Loaf |
| | | | |
| | | | |



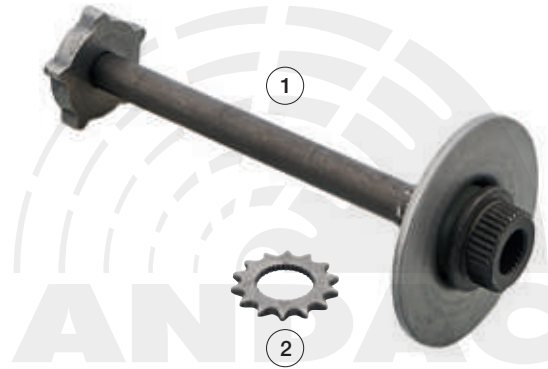
| | | | |
|------------------------|-------------|-----------------------------|---------------------|
| ANDAC No | | 0810 10151 | |
| OE Reference No | | | |
| Application | | ADB22X | |
| Description | | Caliper Adjusting Mechanism | |
| | Name | Qty. | |
| 1 | T121 | 1 | Adjusting Mechanism |
| | | | |
| | | | |



| | | | |
|------------------------|-------------|-----------------------------|---------------------|
| ANDAC No | | 0810 10256 | |
| OE Reference No | | | |
| Application | | ADB22X | |
| Description | | Caliper Adjusting Mechanism | |
| | Name | Qty. | |
| 1 | T50 | 1 | Adjusting Mechanism |
| | | | |
| | | | |



| | | | |
|------------------------|------|-----------------------------|---------------------|
| ANDAC No | | 0810 10154 | |
| OE Reference No | | | |
| Application | | ADB22X | |
| Description | | Caliper Adjusting Mechanism | |
| | Name | Qty. | |
| 1 | T209 | 1 | Adjusting Mechanism |
| 2 | T130 | 1 | Mechanism Gear |



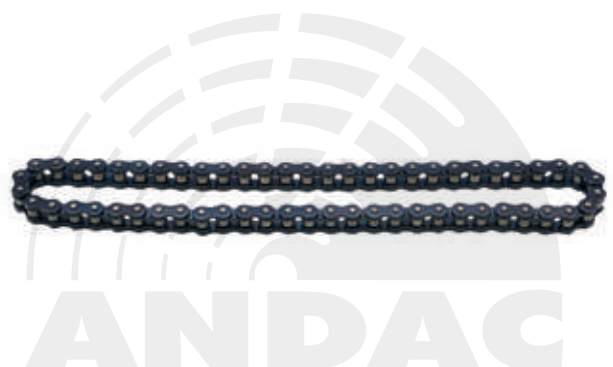
| | | | |
|------------------------|------|------------------------|----------------|
| ANDAC No | | 0810 10238 | |
| OE Reference No | | | |
| Application | | ADB22X | |
| Description | | Caliper Mechanism Gear | |
| | Name | Qty. | |
| 1 | T130 | 10 | Mechanism Gear |



| | | | |
|------------------------|------|------------------------------|------------------|
| ANDAC No | | 0810 10239 | |
| OE Reference No | | | |
| | | Z001548 - 802455 - S-29152-5 | |
| Application | | ADB22X | |
| Description | | Caliper Calibration Loaf | |
| | Name | Qty. | |
| 1 | T20 | 10 | Calibration Loaf |



| | | | |
|------------------------|------|-------------------|-----------------------|
| ANDAC No | | 0810 10157 | |
| OE Reference No | | | |
| Application | | ADB22X | |
| Description | | Caliper Chain | |
| | Name | Qty. | |
| 1 | T118 | 1 | Caliper Chain 29 Link |



KNORR BENDIX ADB22X ADB22XL

| | | | |
|---|------|-------------------|--------------|
| ANDAC No | | 0810 10158 | |
| OE Reference No | | | |
| Application | | ADB22X | |
| Description Caliper Sensor Cover (Without Sensor) (Open) | | | |
| | Name | Qty. | |
| 1 | P14 | 1 | Sensor Cover |
| | | | |
| | | | |



| | | | |
|--|------|-------------------|---------------------------------|
| ANDAC No | | 0810 10384 | |
| OE Reference No | | | |
| Application | | ADB22X | |
| Description Caliper Sensor Cover (Without Sensor) New Version | | | |
| | Name | Qty. | |
| 1 | P85 | 1 | Sensor Cover (Without Sensor) |
| | | | |
| | | | |



| | | | |
|--|------|-------------------|---------------------------------|
| ANDAC No | | 0810 10293 | |
| OE Reference No | | | |
| Application | | ADB22X | |
| Description Caliper Sensor Cover (Without Sensor) (Plugged) | | | |
| | Name | Qty. | |
| 1 | P29 | 1 | Sensor Cover (Without Sensor) |
| | | | |
| | | | |



| | | | |
|--|------|-------------------|-------------------|
| ANDAC No | | 0810 10359 | |
| OE Reference No | | | |
| Application | | ADB22X | |
| Description Caliper Sensor Cover (Flat) | | | |
| | Name | Qty. | |
| 1 | P71 | 1 | Sensor Flat Cover |
| | | | |
| | | | |



| | | | |
|------------------------|-------------|-------------------------------|-------------------|
| ANDAC No | | 0810 10429 | |
| OE Reference No | | | |
| Application | | ADB22XL | |
| Description | | Caliper Sensor Cover (Flat) | |
| | Name | Qty. | |
| 1 | P99 | 1 | Sensor Flat Cover |
| | | | |
| | | | |



| | | | |
|------------------------|-------------|---|--------------|
| ANDAC No | | 0810 10159 | |
| OE Reference No | | | |
| Application | | ADB22X | |
| Description | | Caliper Sensor Cover (3 Socket - 2 Cable) | |
| | Name | Qty. | |
| 1 | P2 | 1 | Sensor Cover |
| 2 | P3 | 1 | Clip |
| | | | |
| | | | |



| | | | |
|------------------------|-------------|--|--------------|
| ANDAC No | | 0810 10385 | |
| OE Reference No | | | |
| Application | | ADB22X | |
| Description | | Caliper Sensor Cover (3 Socket - 2 Cable) New Version | |
| | Name | Qty. | |
| 1 | P86 | 1 | Sensor Cover |
| 2 | P3 | 1 | Clip |
| | | | |
| | | | |



| | | | |
|------------------------|-------------|---|--------------|
| ANDAC No | | 0810 10160 | |
| OE Reference No | | | |
| Application | | ADB22X | |
| Description | | Caliper Sensor Cover (3 Socket - 3 Cable) (Mercedes) | |
| | Name | Qty. | |
| 1 | P23 | 1 | Sensor Cover |
| 2 | P3 | 1 | Clip |
| | | | |
| | | | |



KNORR BENDIX ADB22X ADB22XL

| | | | |
|------------------------|-------------|---|--------------|
| ANDAC No | | 0810 10386 | |
| OE Reference No | | | |
| Application | | ADB22X | |
| Description | | Caliper Sensor Cover (3 Socket - 3 Cable) New Version Mercedes | |
| | Name | Qty. | |
| 1 | P87 | 1 | Sensor Cover |
| 2 | P3 | 1 | Clip |



| | | | |
|------------------------|-------------|---|--------------|
| ANDAC No | | 0810 10162 | |
| OE Reference No | | | |
| Application | | ADB22X | |
| Description | | Caliper Sensor Cover (3 Socket - 3 Cable) (Scania) | |
| | Name | Qty. | |
| 1 | P16 | 1 | Sensor Cover |
| 2 | P3 | 1 | Clip |



| | | | |
|------------------------|-------------|---|--------------|
| ANDAC No | | 0810 10390 | |
| OE Reference No | | | |
| Application | | ADB22X | |
| Description | | Caliper Sensor Cover (3 Socket - 3 Cable) New Version Scania | |
| | Name | Qty. | |
| 1 | P91 | 1 | Sensor Cover |
| 2 | P3 | 1 | Clip |



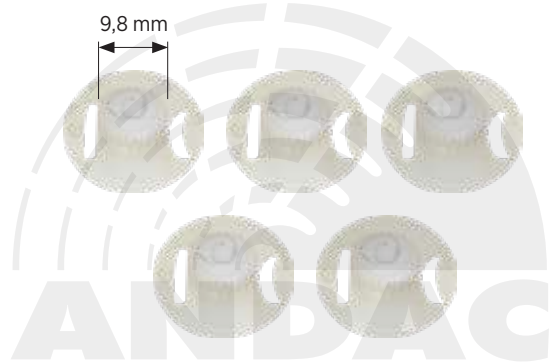
| | | | |
|------------------------|-------------|------------------------|----------------|
| ANDAC No | | 0810 10363 | |
| OE Reference No | | | |
| Application | | ADB22X | |
| Description | | Caliper Sensor Lattice | |
| | Name | Qty. | |
| 1 | P10 | 5 | Sensor Lattice |



| | | | |
|------------------------|-------------|---------------------|------|
| ANDAC No | | 0810 10253 | |
| OE Reference No | | | |
| Application | | ADB22XL | |
| Description | | Caliper Sensor Clip | |
| | Name | Qty. | |
| 1 | P3 | 5 | Clip |
| | | | |
| | | | |



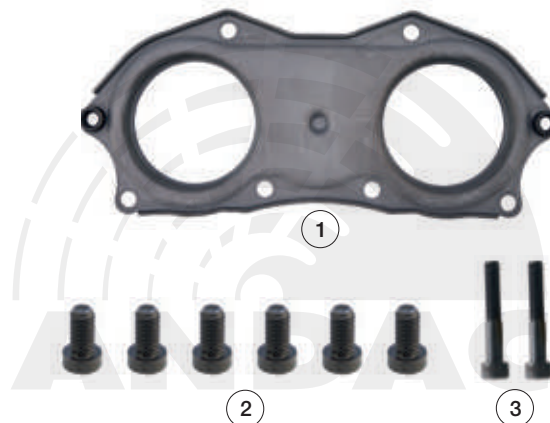
| | | | |
|------------------------|-------------|---------------------|------|
| ANDAC No | | 0810 10320 | |
| OE Reference No | | | |
| Application | | ADB22X | |
| Description | | Caliper Sensor Clip | |
| | Name | Qty. | |
| 1 | P40 | 5 | Clip |
| | | | |
| | | | |



| | | | |
|------------------------|-------------|-------------------|-------------|
| ANDAC No | | 0810 10165 | |
| OE Reference No | | | |
| Application | | ADB22X | |
| Description | | Caliper Cover | |
| | Name | Qty. | |
| 1 | S73 | 1 | Cover |
| 2 | C7 | 8 | Cover Screw |
| | | | |
| | | | |



| | | | |
|------------------------|-------------|-------------------|------------------|
| ANDAC No | | 0810 10166 | |
| OE Reference No | | | |
| Application | | ADB22X | |
| Description | | Caliper Cover | |
| | Name | Qty. | |
| 1 | S74 | 1 | Cover |
| 2 | C7 | 6 | Cover Screw |
| 3 | C50 | 2 | Cover Side Screw |
| | | | |
| | | | |



KNORR BENDIX ADB22X ADB22XL

| ANDAC No | | 0810 10278 | |
|-----------------|------|---------------------------|--|
| OE Reference No | | | |
| Application | | ADB22X | |
| Description | | Caliper Repair Kit | |
| Name | Qty. | | |
| 1 T15 | 1 | Lever | |
| 2 T11 | 1 | Bridge | |
| 3 T200 | 1 | Lever Pin | |
| 4 S61 | 2 | Metal Sheet | |
| 5 T14 | 2 | Calibration Bolt 3 Thread | |
| 6 Y3 | 1 | Spring | |
| 7 KIT1 | 2 | Tappet and Boot (69mm) | |
| 8 K2 | 2 | Dust Cover | |
| 9 B1 | 2 | Bush | |
| 10 R15 | 2 | Roller Bearing | |
| 11 T386 | 1 | Adjusting Mechanism | |
| 12 T130 | 1 | Mechanism Gear | |
| 13 T20 | 1 | Calibration Loaf | |
| 14 T121 | 1 | Adjusting Mechanism | |
| 15 T118 | 1 | Caliper Chain 29 Link | |



KNORR BENDIX

| ANDAC No | | 0810 10279 | |
|-----------------|------|---------------------------|--|
| OE Reference No | | | |
| Application | | ADB22X | |
| Description | | Caliper Repair Kit | |
| Name | Qty. | | |
| 1 T19 | 1 | Lever | |
| 2 T13 | 1 | Bridge | |
| 3 T14 | 2 | Calibration Bolt 3 Thread | |
| 4 Y3 | 1 | Spring | |
| 5 KIT1 | 2 | Tappet and Boot (69mm) | |
| 6 K2 | 2 | Dust Cover | |
| 7 B1 | 2 | Bush | |
| 8 R15 | 2 | Roller Bearing | |
| 9 T386 | 1 | Adjusting Mechanism | |
| 10 T130 | 1 | Mechanism Gear | |
| 11 T20 | 1 | Calibration Loaf | |
| 12 T208 | 1 | Adjusting Mechanism | |
| 13 T118 | 1 | Caliper Chain 29 Link | |



| | | | |
|------------------------|-------------|---------------------------|---------------------------|
| ANDAC No | | 0810 10410 | |
| OE Reference No | | | |
| Application | | ADB22XL | |
| Description | | Caliper Repair Kit | |
| | Name | Qty. | |
| 1 | T634 | 1 | Lever |
| 2 | T13 | 1 | Bridge |
| 3 | T207 | 2 | Calibration Bolt 3 Thread |
| 4 | Y3 | 1 | Spring |
| 5 | K1T62 | 2 | Tappet and Boot (69mm) |
| 6 | K2 | 2 | Dust Cover |
| 7 | B11 | 2 | Bush |
| 8 | R17 | 2 | Roller Bearing |
| 9 | T386 | 1 | Adjusting Mechanism |
| 10 | T130 | 2 | Mechanism Gear |
| 11 | T20 | 1 | Calibration Loaf |
| 12 | T209 | 1 | Adjusting Mechanism |
| 13 | T118 | 1 | Caliper Chain 29 Link |



| | | | |
|------------------------|-------------|---|---------------------|
| ANDAC No | | 0810 10194 | |
| OE Reference No | | K004100 - 3434381500 - K010766 - 0004205082 - 803114 - K010766 | |
| Application | | ADB22X | |
| Description | | Caliper Repair Kit | |
| | Name | Qty. | |
| 1 | T3 | 1 | Guide Pin Ø36x114mm |
| 2 | C2 | 1 | Screw M16x1,5x87mm |
| 3 | T7 | 1 | Guide Pin Ø36x64mm |
| 4 | C8 | 1 | Screw M16x1,5x70mm |
| 5 | B2 | 1 | Bush |
| 6 | B16 | 1 | Bush (Slotted) |
| 7 | K9 | 2 | Boot |
| 8 | P1 | 2 | Ring |
| 9 | S10 | 1 | Metal Cap |
| 10 | S16 | 1 | Metal Cap |



| | | | |
|------------------------|-------------|---------------------------|--------------------|
| ANDAC No | | 0810 10195 | |
| OE Reference No | | | |
| Application | | ADB22X | |
| Description | | Caliper Repair Kit | |
| | Name | Qty. | |
| 1 | T7 | 1 | Guide Pin Ø36x64mm |
| 2 | C8 | 1 | Screw M16x1,5x70mm |
| 3 | B16 | 1 | Bush (Slotted) |
| 4 | K9 | 1 | Boot |
| 5 | P1 | 1 | Ring |
| 6 | S16 | 1 | Metal Cap |



| | | | |
|------------------------|-------------|--|-------------------------------------|
| ANDAC No | | 0810 10208 | |
| OE Reference No | | K001915 - 1639100 - K048389K50 - 81508226037 - 81.50822-6037 - 1847716 - K126962 | |
| Application | | ADB22X | |
| Description | | Caliper Repair Kit | |
| | Name | Qty. | |
| 1 | T3 | 1 | Guide Pin Ø36x114mm |
| 2 | C2 | 1 | Screw M16x1,5x87mm |
| 3 | T4 | 1 | Guide Pin Ø32x80mm |
| 4 | C3 | 1 | Screw M16x1,5x80mm |
| 5 | K9 | 1 | Boot |
| 6 | P1 | 1 | Ring |
| 7 | S10 | 1 | Metal Tap |
| 8 | K7 | 1 | Metal - Rubber Bush (Short) (Ø39mm) |
| 9 | B2 | 1 | Bush |



| | | | |
|------------------------|-------------|----------------------|-------------------------------------|
| ANDAC No | | 0810 10306 | |
| OE Reference No | | K048396K50 - K118520 | |
| Application | | ADB22X | |
| Description | | Caliper Repair Kit | |
| | Name | Qty. | |
| 1 | T3 | 1 | Guide Pin Ø36x114mm |
| 2 | C2 | 1 | Screw M16x1,5x87mm |
| 3 | T4 | 1 | Guide Pin Ø32x80mm |
| 4 | C3 | 1 | Screw M16x1,5x80mm |
| 5 | S2 | 1 | Metal Cap |
| 6 | K8 | 1 | O-Ring |
| 7 | K113 | 1 | Metal - Rubber Bush (Short) (Ø35mm) |
| 8 | K9 | 1 | Boot |
| 9 | P1 | 1 | Ring |
| 10 | B2 | 1 | Bush |



| | | | |
|------------------------|-------------|-------------------------|---------------------|
| ANDAC No | | 0810 10372 | |
| OE Reference No | | K108002K50 - 3434382400 | |
| Application | | ADB22XL | |
| Description | | Caliper Repair Kit | |
| | Name | Qty. | |
| 1 | T3 | 1 | Guide Pin Ø36x114mm |
| 2 | C2 | 1 | Screw M16x1,5x87mm |
| 3 | T532 | 1 | Guide Pin Ø36x64mm |
| 4 | C8 | 1 | Screw M16x1,5x70mm |
| 5 | B2 | 1 | Bush |
| 6 | B17 | 1 | Bush |
| 7 | K9 | 2 | Boot |
| 8 | P1 | 2 | Ring |
| 9 | S10 | 1 | Metal Cap |
| 10 | S16 | 1 | Metal Cap |

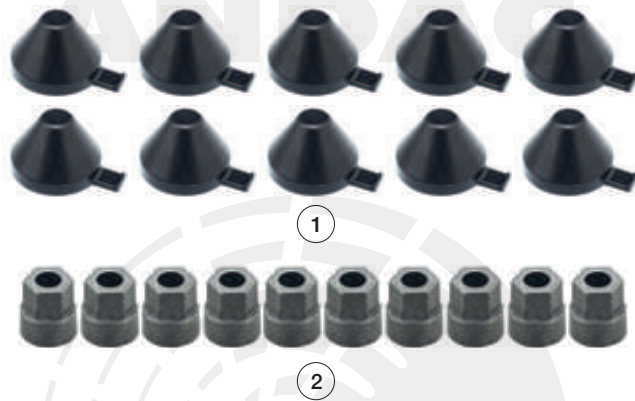


KNORR BENDIX ADB22X ADB22XL

| | | | |
|------------------------|-------------|----------------------|---------------------|
| ANDAC No | | 0810 10294 | |
| OE Reference No | | K010813 - 3434382400 | |
| Application | | ADB22X | |
| Description | | Caliper Repair Kit | |
| | Name | Qty. | |
| 1 | T3 | 1 | Guide Pin Ø36x114mm |
| 2 | C2 | 1 | Screw M16x1,5x87mm |
| 3 | T7 | 1 | Guide Pin Ø36x64mm |
| 4 | C8 | 1 | Screw M16x1,5x70mm |
| 5 | B2 | 1 | Bush |
| 6 | B16 | 1 | Bush |
| 7 | K9 | 2 | Boot |
| 8 | P1 | 2 | Ring |
| 9 | S16 | 1 | Metal Tap |
| 10 | S2 | 1 | Metal Tap |
| 11 | K8 | 1 | O-Ring |



| | | | |
|------------------------|-------------|-------------------------------------|--------------------|
| ANDAC No | | 0810 10233 | |
| OE Reference No | | K000029 - 0004234687 - 81508226021 | |
| Application | | ADB22X | |
| Description | | Caliper Adjusting Mechanism Cap Set | |
| | Name | Qty. | |
| 1 | K12 | 10 | Rubber Cap (Ø38mm) |
| 2 | T20 | 10 | Calibration Loaf |



| | | | |
|------------------------|-------------|-------------------------------------|--------------------|
| ANDAC No | | 0810 10234 | |
| OE Reference No | | K003902 - 802643 - 3434381600 | |
| Application | | ADB22X | |
| Description | | Caliper Adjusting Mechanism Cap Set | |
| | Name | Qty. | |
| 1 | K13 | 10 | Rubber Cap (Ø35mm) |
| 2 | T20 | 10 | Calibration Loaf |



KNORR BENDIX ADB22X ADB22XL

KNORR
BENDIX

| | | | |
|------------------------|-------------|--------------------|-----------|
| ANDAC No | | 0810 10351 | |
| OE Reference No | | | |
| Application | | ADB22X | |
| Description | | Caliper Repair Kit | |
| | Name | Qty. | |
| 1 | S10 | 1 | Metal Cap |
| 2 | S16 | 1 | Metal Cap |
| | | | |
| | | | |



| | | | |
|------------------------|-------------|--------------------|----------------------|
| ANDAC No | | 0810 10240 | |
| OE Reference No | | | |
| Application | | ADB22X | |
| Description | | Caliper Repair Kit | |
| | Name | Qty. | |
| 1 | S10 | 10 | Metal Cap (Ø40x11mm) |
| | | | |
| | | | |



| | | | |
|------------------------|-------------|--|-------------|
| ANDAC No | | 0810 10244 | |
| OE Reference No | | 1448600 - 1415149 - 1527631 - 1477675 - 0980106330 - 42541412 - Z004357 | |
| Application | | ADB22X | |
| Description | | Caliper Repair Kit | |
| | Name | Qty. | |
| 1 | P1 | 1 | Teflon Ring |
| 2 | K9 | 1 | Boot |
| | | | |
| | | | |

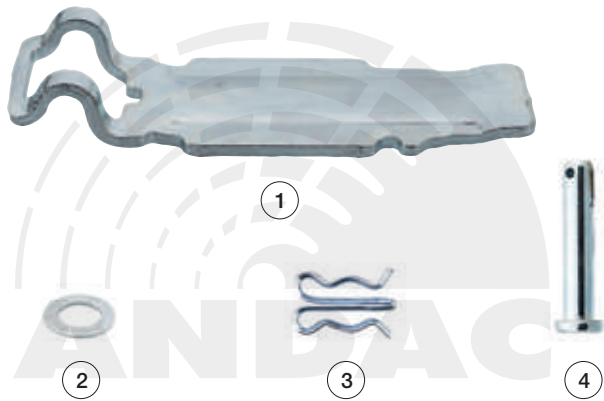


| | | | |
|------------------------|-------------|-------------------|--------------|
| ANDAC No | | 0810 10250 | |
| OE Reference No | | | |
| Application | | ADB22X | |
| Description | | Caliper Seal | |
| | Name | Qty. | |
| 1 | K108 | 1 | Seal (Ø42mm) |
| | | | |
| | | | |



KNORR BENDIX ADB22X ADB22XL

| ANDAC No | | 0810 10311 |
|-----------------|------|--------------------------|
| OE Reference No | | K000133 |
| Application | | ADB22X |
| Description | | Caliper Pad Retainer Kit |
| | Name | Qty. |
| 1 | S92 | 1 Pad Retainer (25mm) |
| 2 | S18 | 1 Washer |
| 3 | S19 | 1 Cotter Pin |
| 4 | T9 | 1 Detent Pin |



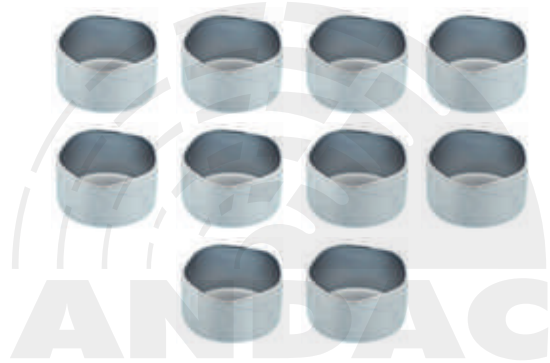
| ANDAC No | | 0810 10355 |
|-----------------|------|--------------------------|
| OE Reference No | | |
| Application | | ADB22X |
| Description | | Caliper Pad Retainer Kit |
| | Name | Qty. |
| 1 | S92 | 2 Pad Retainer (25mm) |
| 2 | S18 | 2 Washer |
| 3 | S19 | 2 Cotter Pin |
| 4 | T9 | 2 Detent Pin |
| 5 | K12 | 2 Rubber Cap (Ø38mm) |
| 6 | K15 | 2 Rubber Tap |
| 7 | T20 | 2 Calibration Loaf |



| ANDAC No | | 0810 10356 |
|-----------------|------|--------------------------|
| OE Reference No | | WVA 29087 |
| Application | | ADB22X |
| Description | | Caliper Pad Retainer Kit |
| | Name | Qty. |
| 1 | S92 | 2 Pad Retainer (25mm) |
| 2 | S18 | 2 Washer |
| 3 | S19 | 2 Cotter Pin |
| 4 | T9 | 2 Detent Pin |
| 5 | K12 | 2 Rubber Cap (Ø38mm) |
| 6 | K15 | 2 Rubber Tap |
| 7 | T20 | 2 Calibration Loaf |
| 8 | S164 | 4 Retention Spring |



| | | | |
|------------------------|-------------|-------------------|-----------|
| ANDAC No | | 0810 10380 | |
| OE Reference No | | | |
| Application | | ADB22X | |
| Description | | Caliper Cap Set | |
| | Name | Qty. | |
| 1 | S16 | 10 | Metal Cap |
| | | | |
| | | | |
| | | | |



| | | | |
|------------------------|-------------|--------------------------------|-----------|
| ANDAC No | | 0810 10373 | |
| OE Reference No | | | |
| Application | | ADB22X | |
| Description | | Caliper Pin Protection Cap Kit | |
| | Name | Qty. | |
| 1 | P75 | 5 | Pin Cover |
| | | | |
| | | | |
| | | | |



| | | | |
|------------------------|-------------|--------------------------------|-----------|
| ANDAC No | | 0810 10374 | |
| OE Reference No | | | |
| Application | | ADB22X | |
| Description | | Caliper Pin Protection Cap Kit | |
| | Name | Qty. | |
| 1 | P76 | 5 | Pin Cover |
| | | | |
| | | | |
| | | | |



| | | | |
|------------------------|-------------|--------------------|-----------------------|
| ANDAC No | | 0810 10439 | |
| OE Reference No | | | |
| Application | | ADB22X | |
| Description | | Brake Chamber Seal | |
| | Name | Qty. | |
| 1 | K203 | 10 | Chamber Pressure Seal |
| | | | |
| | | | |
| | | | |



**KNORR BREMSE
INDICATOR CABLES**

KNORR
INDICATOR CABLES

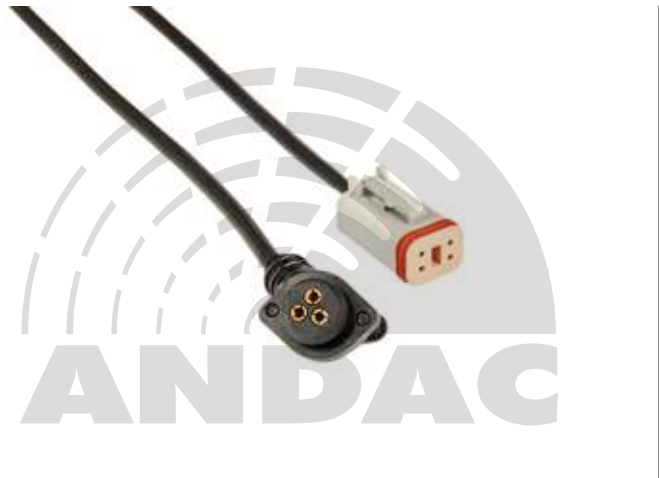


KNORR INDICATOR CABLES

| | | | |
|------------------------|-------|-----------------------------------|-----------------|
| ANDAC No | | 0810 10431 | |
| OE Reference No | | | |
| Application | | | |
| Description | | Brake pad Indicator cable (200cm) | |
| | Name | Qty. | |
| 1 | KB077 | 1 | Indicator Cable |
| | | | |
| | | | |



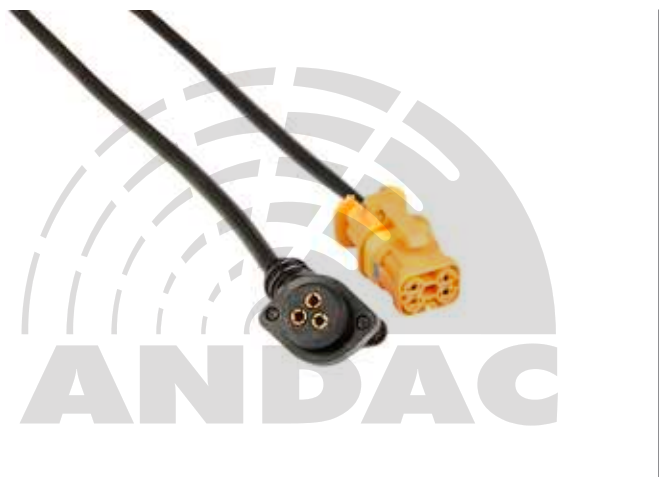
| | | | |
|------------------------|-------|-----------------------------------|-----------------|
| ANDAC No | | 0810 10432 | |
| OE Reference No | | | |
| Application | | | |
| Description | | Brake pad Indicator cable (200cm) | |
| | Name | Qty. | |
| 1 | KB078 | 1 | Indicator Cable |
| | | | |
| | | | |



| | | | |
|------------------------|-------|-----------------------------------|-----------------|
| ANDAC No | | 0810 10433 | |
| OE Reference No | | | |
| Application | | | |
| Description | | Brake pad Indicator cable (200cm) | |
| | Name | Qty. | |
| 1 | KB079 | 1 | Indicator Cable |
| | | | |
| | | | |



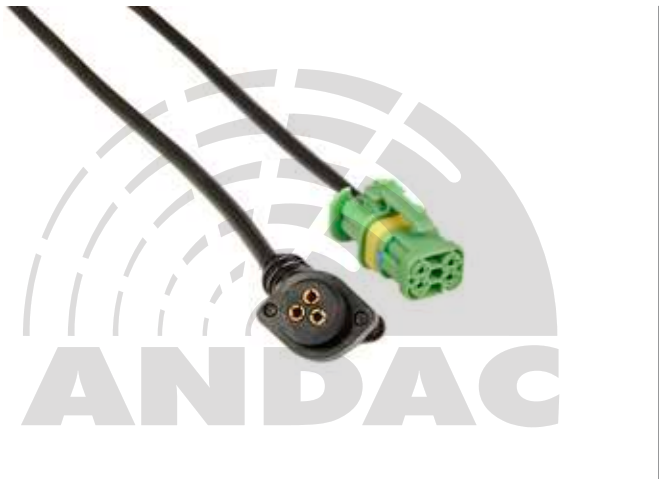
| | | | |
|------------------------|-------|-----------------------------------|-----------------|
| ANDAC No | | 0810 10434 | |
| OE Reference No | | | |
| Application | | | |
| Description | | Brake pad Indicator cable (200cm) | |
| | Name | Qty. | |
| 1 | KB080 | 1 | Indicator Cable |
| | | | |
| | | | |



KNORR
INDICATOR CABLES

KNORR INDICATOR CABLES

| | | | |
|-----------------|-------|-----------------------------------|-----------------|
| ANDAC No | | 0810 10435 | |
| OE Reference No | | | |
| Application | | | |
| Description | | Brake pad Indicator cable (200cm) | |
| | Name | Qty. | |
| 1 | KB081 | 1 | Indicator Cable |
| | | | |
| | | | |



KNORR
INDICATOR CABLES

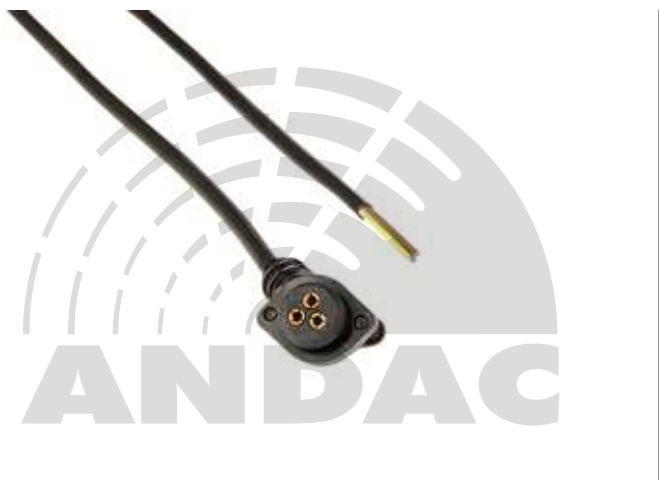
| | | | |
|-----------------|-------|-----------------------------------|-----------------|
| ANDAC No | | 0810 10436 | |
| OE Reference No | | | |
| Application | | | |
| Description | | Brake pad Indicator cable (200cm) | |
| | Name | Qty. | |
| 1 | KB082 | 1 | Indicator Cable |
| | | | |
| | | | |



| | | | |
|-----------------|-------|-----------------------------------|-----------------|
| ANDAC No | | 0810 10437 | |
| OE Reference No | | | |
| Application | | | |
| Description | | Brake pad Indicator cable (200cm) | |
| | Name | Qty. | |
| 1 | KB083 | 1 | Indicator Cable |
| | | | |
| | | | |



| | | | |
|-----------------|-------|-----------------------------------|-----------------|
| ANDAC No | | 0810 10438 | |
| OE Reference No | | | |
| Application | | | |
| Description | | Brake pad Indicator cable (200cm) | |
| | Name | Qty. | |
| 1 | KB084 | 1 | Indicator Cable |
| | | | |
| | | | |



KNORR INDICATOR CABLES

| | | | |
|------------------------|-------------|-------------------------------|------------------------|
| ANDAC No | | 4010 | |
| OE Reference No | | | |
| Application | | | |
| Description | | Sensor Diagnostic Tool | |
| | Name | Qty. | |
| 1 | 4010 | 1 | Sensor Diagnostic Tool |
| | | | |
| | | | |
| | | | |



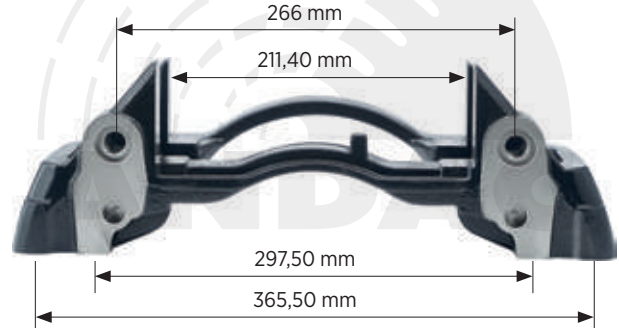
KNORR
INDICATOR CABLES

**KNORR BREMSE
CARRIERS**

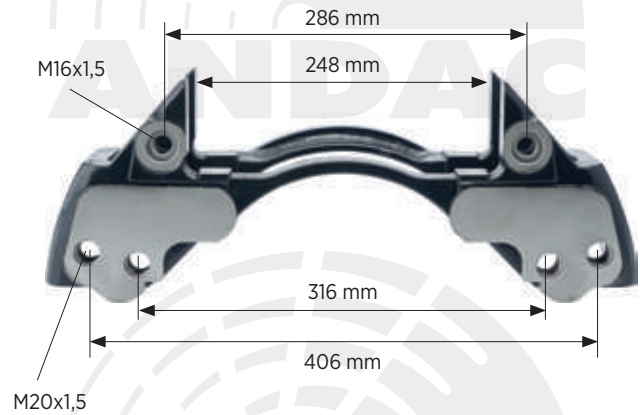
**KNORR
CARRIERS**



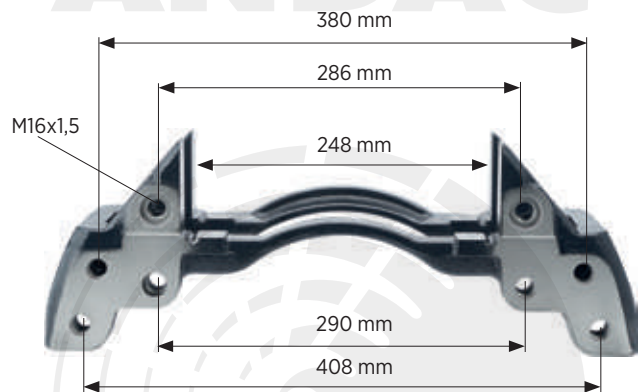
| | | | |
|------------------------|-------------|------------------------------------|---------|
| ANDAC No | | 0810 10245 | |
| OE Reference No | | K004679 - 01.303.88.55.0 - 2379695 | |
| Application | | SN6 | |
| Description | | Caliper Carrier - 19,5" | |
| | Name | Qty. | |
| 1 | T489 | 1 | Carrier |
| | | | |
| | | | |
| | | | |
| | | | |
| | | | |
| | | | |
| | | | |
| | | | |
| | | | |



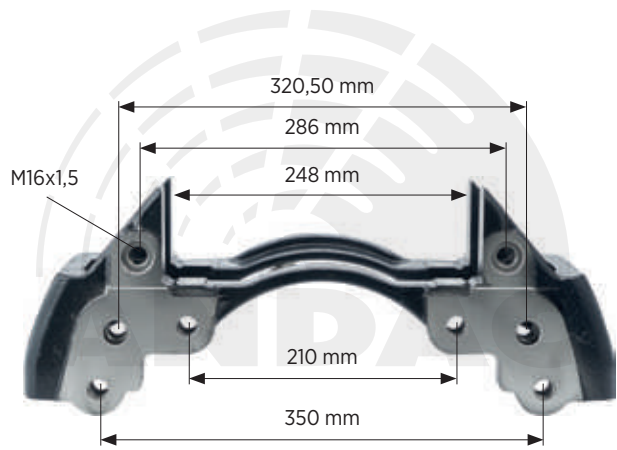
| | | | |
|------------------------|-------------|-------------------------------------|---------|
| ANDAC No | | 0810 10254 | |
| OE Reference No | | K001502 - II189250061 - II304010061 | |
| Application | | SB7 | |
| Description | | Caliper Carrier - 22,5" | |
| | Name | Qty. | |
| 1 | T246 | 1 | Carrier |
| | | | |
| | | | |
| | | | |
| | | | |
| | | | |
| | | | |
| | | | |
| | | | |
| | | | |



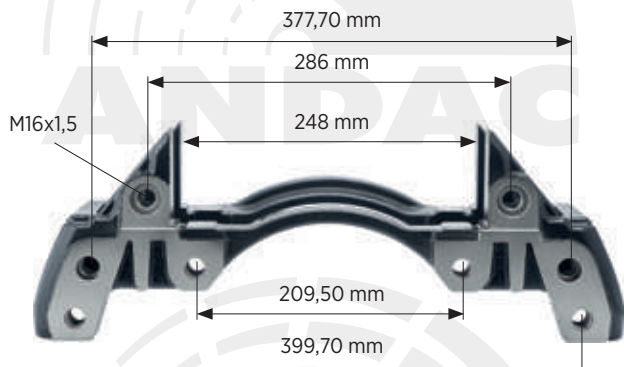
| | | | |
|------------------------|-------------|--------------------------------|---------|
| ANDAC No | | 0810 10255 | |
| OE Reference No | | K001529 - K001530 - 0004213706 | |
| Application | | SB7 / SN7 | |
| Description | | Caliper Carrier - 22,5" | |
| | Name | Qty. | |
| 1 | T247 | 1 | Carrier |
| | | | |
| | | | |
| | | | |
| | | | |
| | | | |
| | | | |
| | | | |
| | | | |
| | | | |



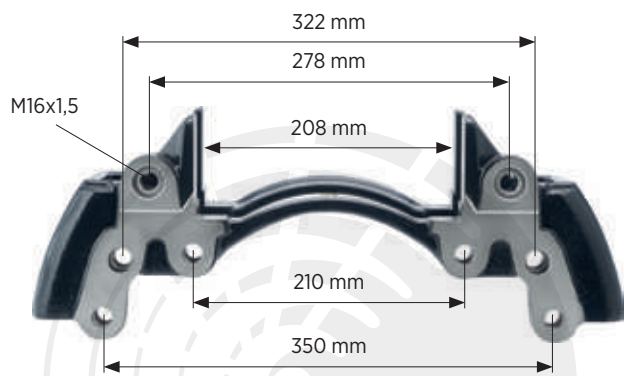
| | | | |
|------------------------|-------------|--------------------------------|---------|
| ANDAC No | | 0810 10327 | |
| OE Reference No | | K000027 - 0004230606 - 2121592 | |
| Application | | SB7 / SN7 | |
| Description | | Caliper Carrier - 22,5" | |
| | Name | Qty. | |
| 1 | T308 | 1 | Carrier |
| | | | |
| | | | |
| | | | |
| | | | |
| | | | |



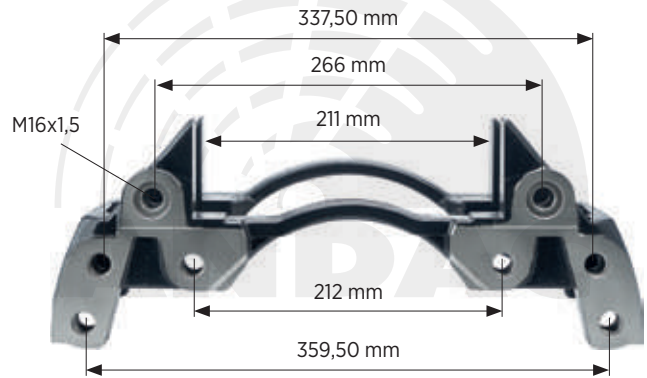
| | | | |
|------------------------|-------------|-------------------------|---------|
| ANDAC No | | 0810 10328 | |
| OE Reference No | | K000026 - 0004211106 | |
| Application | | SB7 / SN7 | |
| Description | | Caliper Carrier - 22,5" | |
| | Name | Qty. | |
| 1 | T307 | 1 | Carrier |
| | | | |
| | | | |
| | | | |
| | | | |
| | | | |



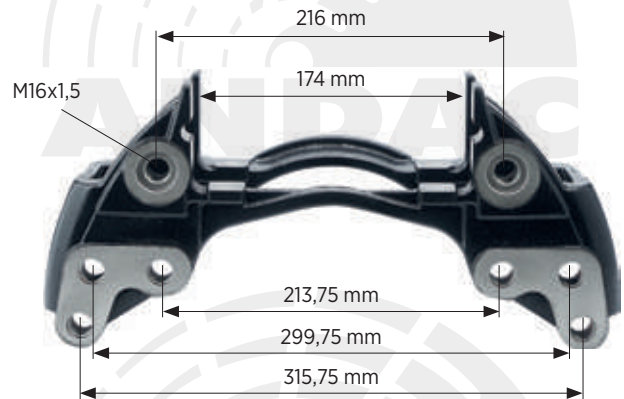
| | | | |
|------------------------|-------------|-------------------------|---------|
| ANDAC No | | 0810 10329 | |
| OE Reference No | | K052379 - 0004231006 | |
| Application | | SL7 | |
| Description | | Caliper Carrier - 22,5" | |
| | Name | Qty. | |
| 1 | T306 | 1 | Carrier |
| | | | |
| | | | |
| | | | |
| | | | |
| | | | |



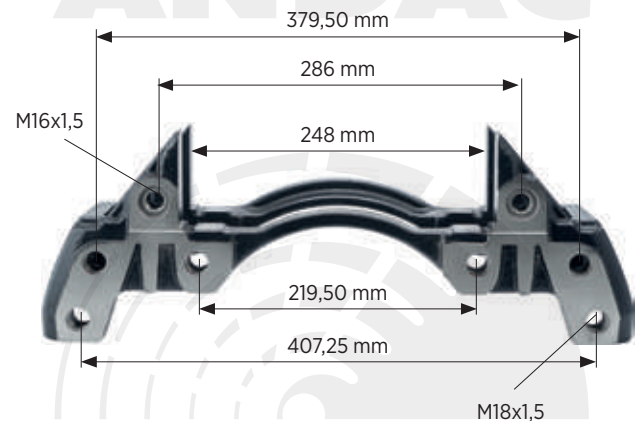
| | | | |
|------------------------|-------------|-------------------------|---------|
| ANDAC No | | 0810 10330 | |
| OE Reference No | | K001105 | |
| Application | | SB6 / SN6 | |
| Description | | Caliper Carrier - 19,5" | |
| | Name | Qty. | |
| 1 | T305 | 1 | Carrier |
| | | | |
| | | | |
| | | | |
| | | | |
| | | | |
| | | | |
| | | | |
| | | | |



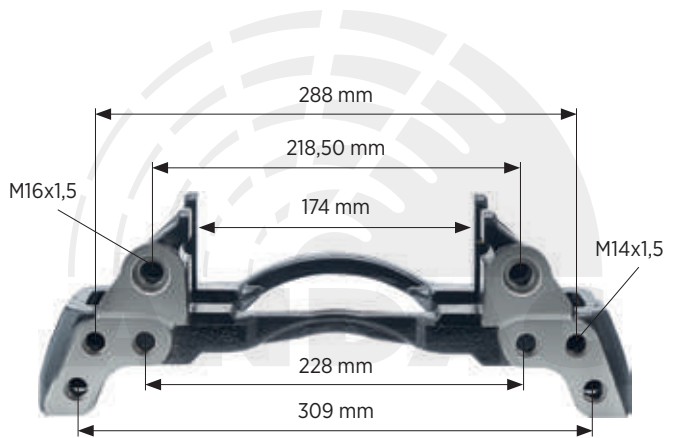
| | | | |
|------------------------|-------------|-------------------------|---------|
| ANDAC No | | 0810 10331 | |
| OE Reference No | | K000358 - 0004211606 | |
| Application | | SB5 | |
| Description | | Caliper Carrier - 17,5" | |
| | Name | Qty. | |
| 1 | T302 | 1 | Carrier |
| | | | |
| | | | |
| | | | |
| | | | |
| | | | |
| | | | |
| | | | |
| | | | |



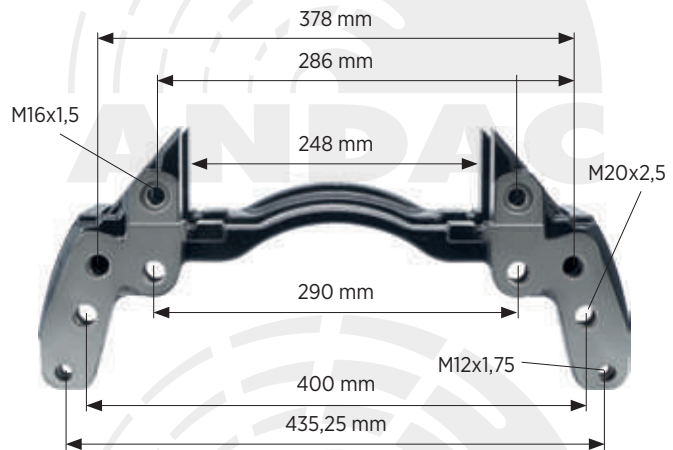
| | | | |
|------------------------|-------------|-------------------------|---------|
| ANDAC No | | 0810 10332 | |
| OE Reference No | | K001278 | |
| Application | | SN7 / SB7 / ADB22X | |
| Description | | Caliper Carrier - 22,5" | |
| | Name | Qty. | |
| 1 | T309 | 1 | Carrier |
| | | | |
| | | | |
| | | | |
| | | | |
| | | | |
| | | | |
| | | | |
| | | | |



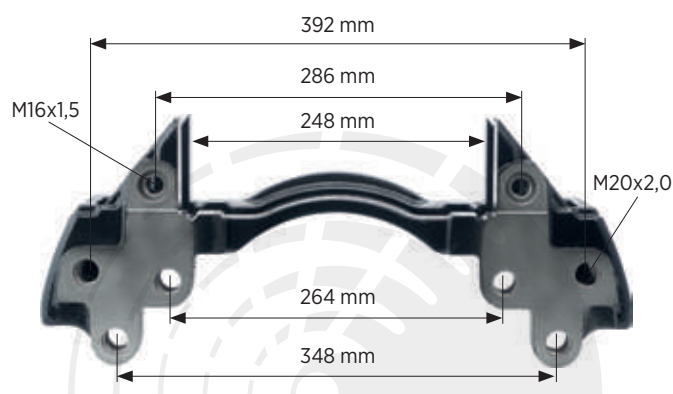
| | | | |
|------------------------|-------------|-------------------------|---------|
| ANDAC No | | 0810 10333 | |
| OE Reference No | | K005606 | |
| Application | | SB5 | |
| Description | | Caliper Carrier - 17,5" | |
| | Name | Qty. | |
| 1 | T303 | 1 | Carrier |



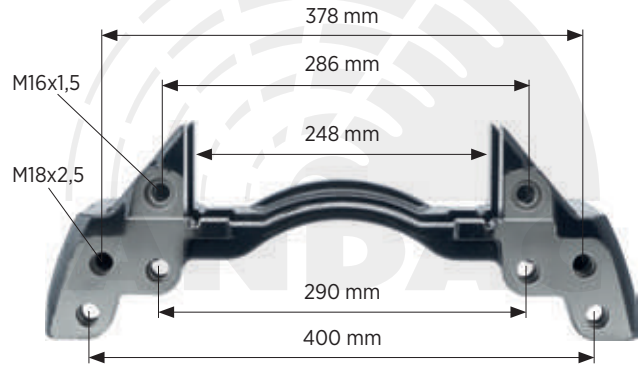
| | | | |
|------------------------|-------------|-----------------------------|---------|
| ANDAC No | | 0810 10334 | |
| OE Reference No | | K010765 - 1756388 - K001919 | |
| Application | | SB7 / SN7 / ADB22X | |
| Description | | Caliper Carrier - 22,5" | |
| | Name | Qty. | |
| 1 | T312 | 1 | Carrier |



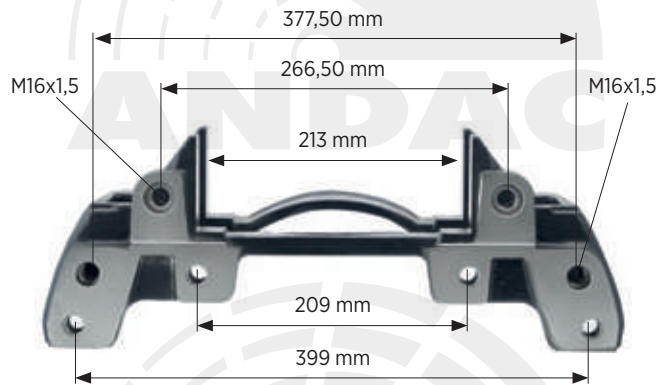
| | | | |
|------------------------|-------------|------------------------------------|---------|
| ANDAC No | | 0810 10335 | |
| OE Reference No | | K001510 - K108814K50 - II322030061 | |
| Application | | SB7 / SN7 | |
| Description | | Caliper Carrier - 22,5" | |
| | Name | Qty. | |
| 1 | T311 | 1 | Carrier |



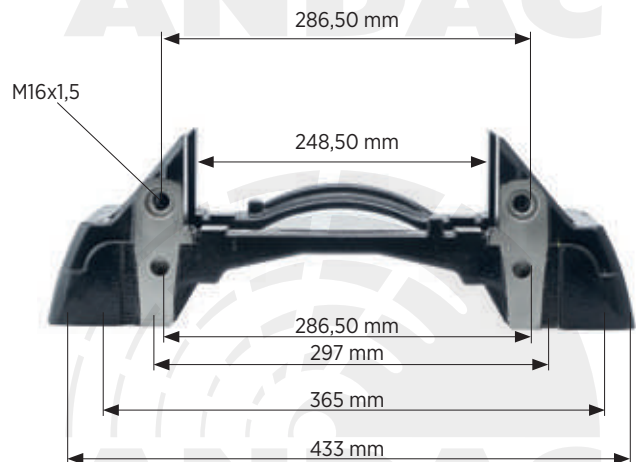
| | | | |
|------------------------|-------------|--|---------|
| ANDAC No | | 0810 10336 | |
| OE Reference No | | K011479 - K001507 - K001520 - II197370061 - II334320061 - 1689314 - 1521259 | |
| Application | | SB7 / SN7 | |
| Description | | Caliper Carrier - 22,5" | |
| | Name | Qty. | |
| 1 | T310 | 1 | Carrier |
| | | | |
| | | | |
| | | | |
| | | | |
| | | | |
| | | | |
| | | | |
| | | | |



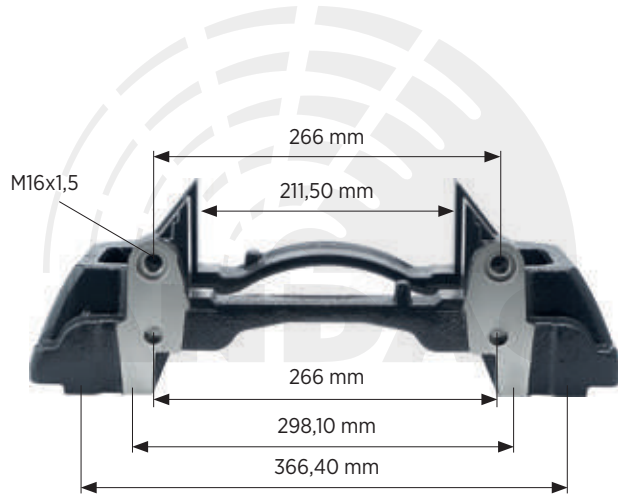
| | | | |
|------------------------|-------------|-------------------------|---------|
| ANDAC No | | 0810 10337 | |
| OE Reference No | | K004099 - 212600 | |
| Application | | SK7 | |
| Description | | Caliper Carrier - 22,5" | |
| | Name | Qty. | |
| 1 | T304 | 1 | Carrier |
| | | | |
| | | | |
| | | | |
| | | | |
| | | | |
| | | | |
| | | | |
| | | | |



| | | | |
|------------------------|-------------|--------------------------|---------|
| ANDAC No | | 0810 10338 | |
| OE Reference No | | K004680 - 01.303.88.57.0 | |
| Application | | SN7 | |
| Description | | Caliper Carrier - 22,5" | |
| | Name | Qty. | |
| 1 | T313 | 1 | Carrier |
| | | | |
| | | | |
| | | | |
| | | | |
| | | | |
| | | | |
| | | | |
| | | | |
| | | | |

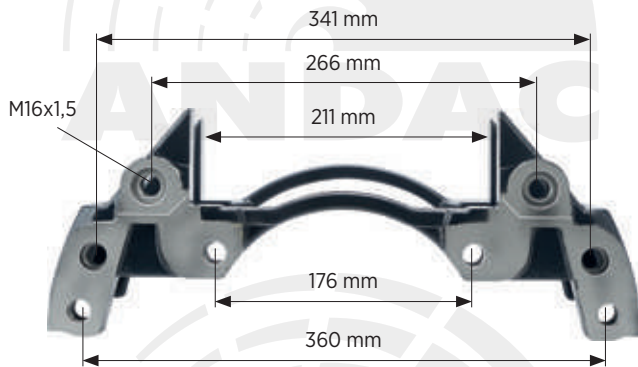


| | | | |
|------------------------|------|--------------------------|---------|
| ANDAC No | | 0810 10339 | |
| OE Reference No | | 01.303.88.56.0 - K012619 | |
| Application | | SK7 | |
| Description | | Caliper Carrier - 22,5" | |
| | Name | Qty. | |
| 1 | T314 | 1 | Carrier |

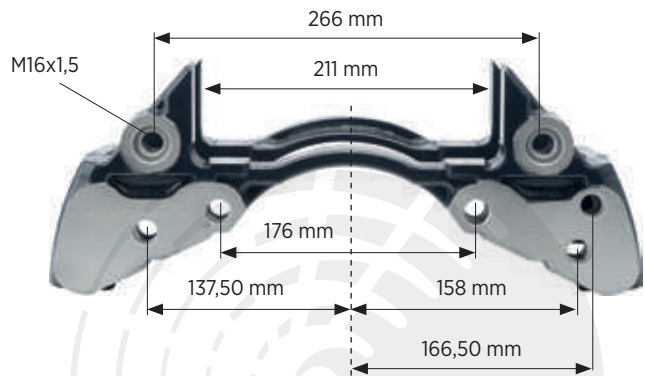


KNORR
CARRIERS

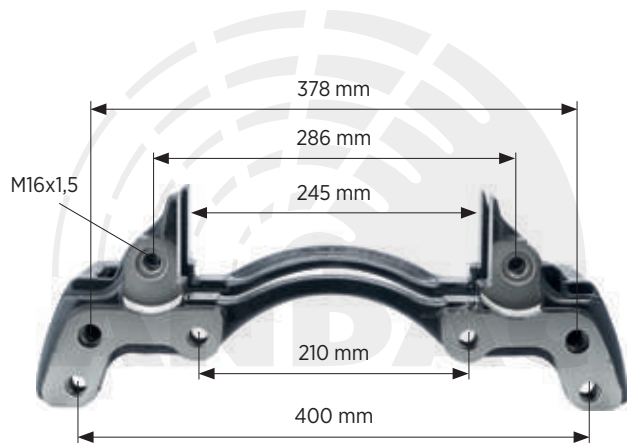
| | | | |
|------------------------|------|---|---------|
| ANDAC No | | 0810 10340 | |
| OE Reference No | | 01.303.88.56.0 - K012619 - K001926 - 0004213106 - K000690 - JAE0110402006 | |
| Application | | SB6 / SN6 | |
| Description | | Caliper Carrier - 19,5" | |
| | Name | Qty. | |
| 1 | T315 | 1 | Carrier |



| | | | |
|------------------------|------|---------------------------------|---------|
| ANDAC No | | 0810 10341 | |
| OE Reference No | | K001497 | |
| Application | | SB6 | |
| Description | | Caliper Carrier - 19,5" - Right | |
| | Name | Qty. | |
| 1 | T316 | 1 | Carrier |

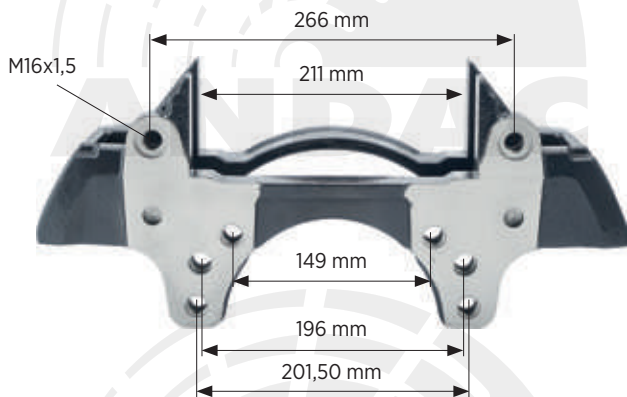


| | | | |
|------------------------|-------------|--|---------|
| ANDAC No | | 0810 10398 | |
| OE Reference No | | K046764K50 - 000 421 5806 - 0004215806 | |
| Application | | SN7 | |
| Description | | Caliper Carrier - 22,5" | |
| | Name | Qty. | |
| 1 | T639 | 1 | Carrier |

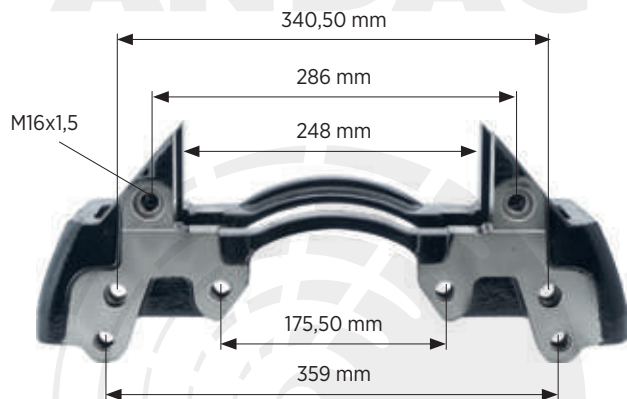


KNORR
CARRIERS

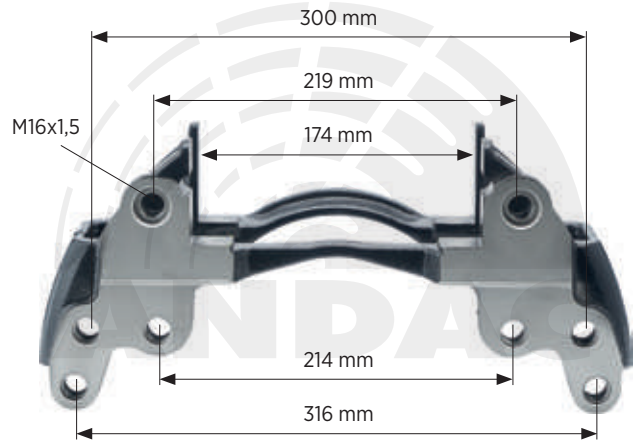
| | | | |
|------------------------|-------------|-------------------------|---------|
| ANDAC No | | 0810 10405 | |
| OE Reference No | | K007475 | |
| Application | | SK7 | |
| Description | | Caliper Carrier - 22,5" | |
| | Name | Qty. | |
| 1 | T656 | 1 | Carrier |



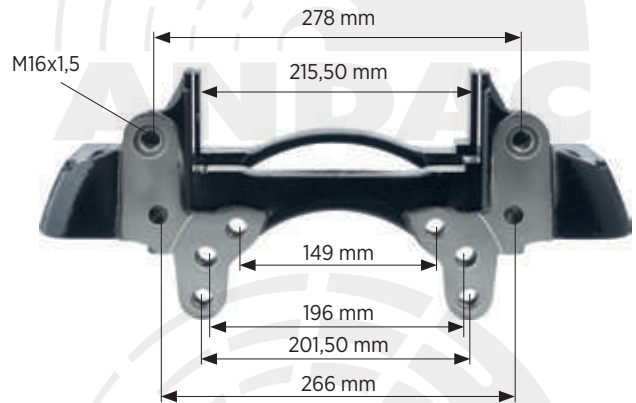
| | | | |
|------------------------|-------------|-------------------------|---------|
| ANDAC No | | 0810 10406 | |
| OE Reference No | | K001275 | |
| Application | | SN7 | |
| Description | | Caliper Carrier - 22,5" | |
| | Name | Qty. | |
| 1 | T655 | 1 | Carrier |



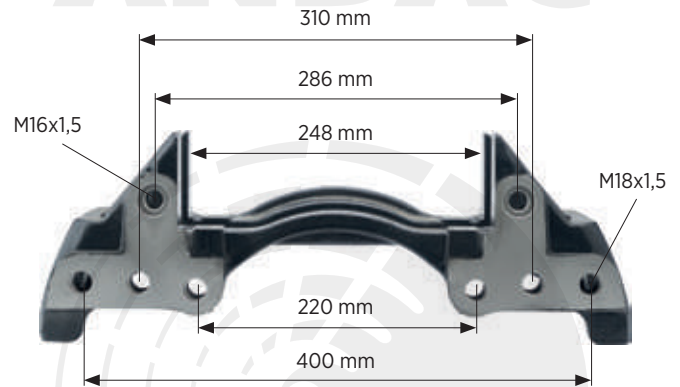
| | | | |
|------------------------|-------------|-------------------------|---------|
| ANDAC No | | 0810 10409 | |
| OE Reference No | | K001927 | |
| Application | | SN5 | |
| Description | | Caliper Carrier - 17,5" | |
| | Name | Qty. | |
| 1 | T660 | 1 | Carrier |
| | | | |
| | | | |
| | | | |
| | | | |
| | | | |
| | | | |
| | | | |
| | | | |
| | | | |



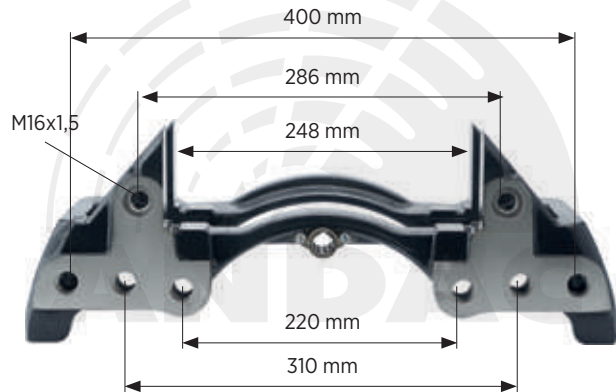
| | | | |
|------------------------|-------------|-------------------------|---------|
| ANDAC No | | 0810 10415 | |
| OE Reference No | | K108001K50 | |
| Application | | ST7 | |
| Description | | Caliper Carrier - 22,5" | |
| | Name | Qty. | |
| 1 | T651 | 1 | Carrier |
| | | | |
| | | | |
| | | | |
| | | | |
| | | | |
| | | | |
| | | | |
| | | | |
| | | | |



| | | | |
|------------------------|-------------|-------------------------|---------|
| ANDAC No | | 0810 10416 | |
| OE Reference No | | K001521 | |
| Application | | SB7 / SN7 | |
| Description | | Caliper Carrier - 22,5" | |
| | Name | Qty. | |
| 1 | T652 | 1 | Carrier |
| | | | |
| | | | |
| | | | |
| | | | |
| | | | |
| | | | |
| | | | |
| | | | |
| | | | |

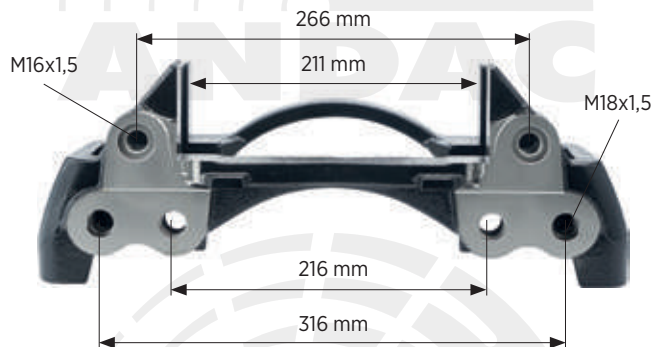


| | | | |
|------------------------|-------------|-------------------------|---------|
| ANDAC No | | 0810 10417 | |
| OE Reference No | | K001505 - II197270061 | |
| Application | | SB7 | |
| Description | | Caliper Carrier - 22,5" | |
| | Name | Qty. | |
| 1 | T653 | 1 | Carrier |

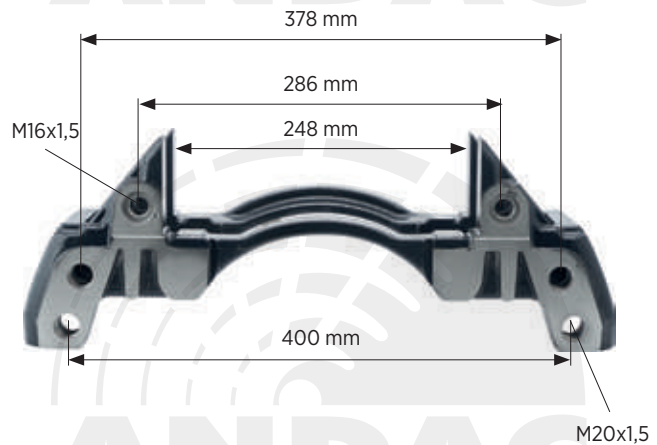


KNORR
CARRIERS

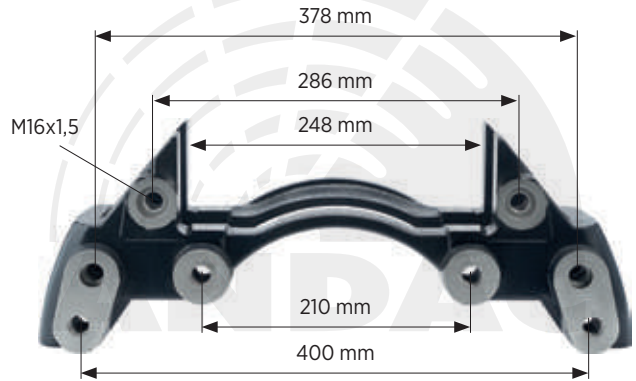
| | | | |
|------------------------|-------------|-------------------------|---------|
| ANDAC No | | 0810 10418 | |
| OE Reference No | | K015378 | |
| Application | | SN6 | |
| Description | | Caliper Carrier - 19,5" | |
| | Name | Qty. | |
| 1 | T654 | 1 | Carrier |



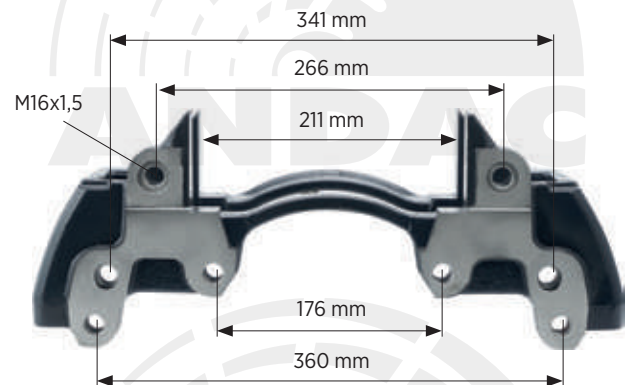
| | | | |
|------------------------|-------------|-------------------------|---------|
| ANDAC No | | 0810 10419 | |
| OE Reference No | | K001525 | |
| Application | | SB7 / SN7 | |
| Description | | Caliper Carrier - 22,5" | |
| | Name | Qty. | |
| 1 | T657 | 1 | Carrier |



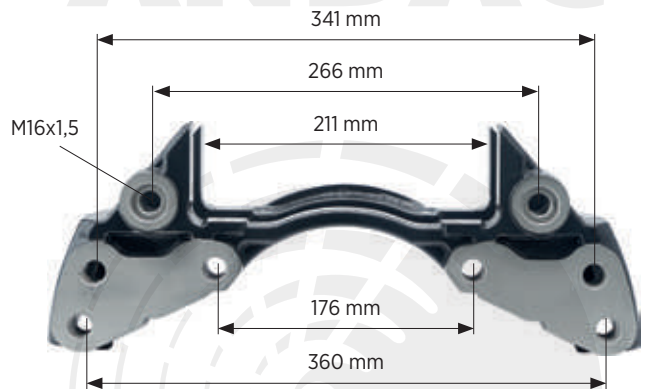
| | | | |
|------------------------|-------------|-------------------------|---------|
| ANDAC No | | 0810 10420 | |
| OE Reference No | | K000028 - 0004211206 | |
| Application | | SB7 / SN7 | |
| Description | | Caliper Carrier - 22,5" | |
| | Name | Qty. | |
| 1 | T658 | 1 | Carrier |
| | | | |
| | | | |
| | | | |
| | | | |
| | | | |
| | | | |
| | | | |
| | | | |



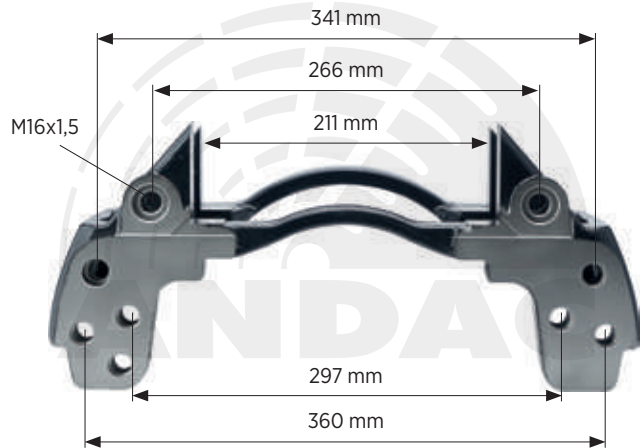
| | | | |
|------------------------|-------------|-------------------------|---------|
| ANDAC No | | 0810 10421 | |
| OE Reference No | | K000028 - 0004211206 | |
| Application | | SN6 | |
| Description | | Caliper Carrier - 19,5" | |
| | Name | Qty. | |
| 1 | T659 | 1 | Carrier |
| | | | |
| | | | |
| | | | |
| | | | |
| | | | |
| | | | |
| | | | |
| | | | |



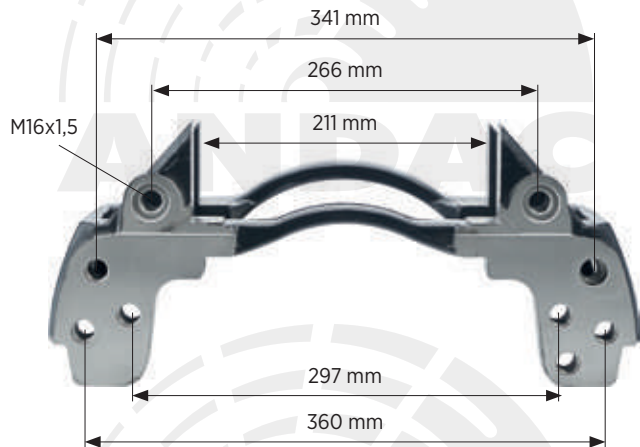
| | | | |
|------------------------|-------------|------------------------------------|---------|
| ANDAC No | | 0810 10422 | |
| OE Reference No | | K001494 - I1328040061 - 0004211306 | |
| Application | | SB6 | |
| Description | | Caliper Carrier - 19,5" | |
| | Name | Qty. | |
| 1 | T661 | 1 | Carrier |
| | | | |
| | | | |
| | | | |
| | | | |
| | | | |
| | | | |
| | | | |
| | | | |



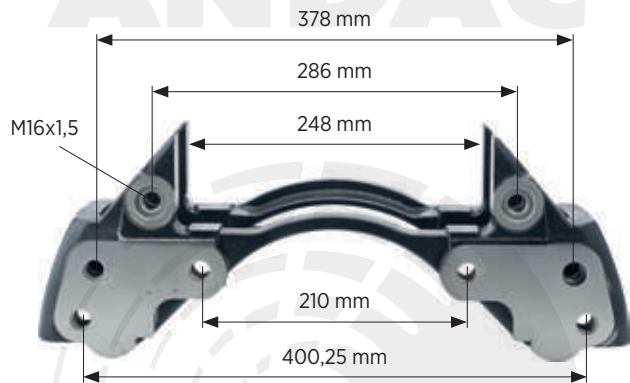
| | | | |
|------------------------|-------------|-------------------------|---------|
| ANDAC No | | 0810 10423 | |
| OE Reference No | | K002313 | |
| Application | | SN6 | |
| Description | | Caliper Carrier - 19,5" | |
| | Name | Qty. | |
| 1 | T662 | 1 | Carrier |



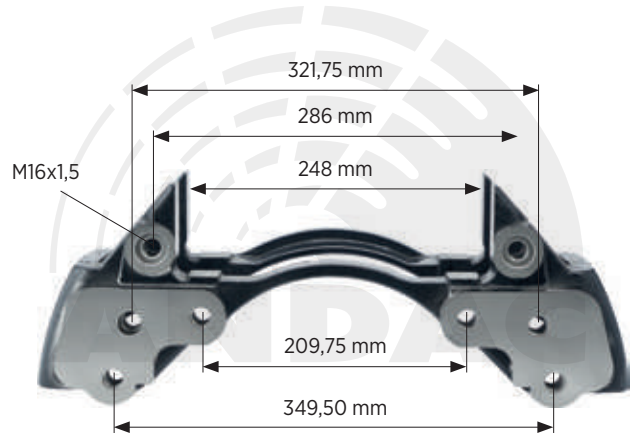
| | | | |
|------------------------|-------------|-------------------------|---------|
| ANDAC No | | 0810 10424 | |
| OE Reference No | | K002314 | |
| Application | | SN6 | |
| Description | | Caliper Carrier - 19,5" | |
| | Name | Qty. | |
| 1 | T663 | 1 | Carrier |



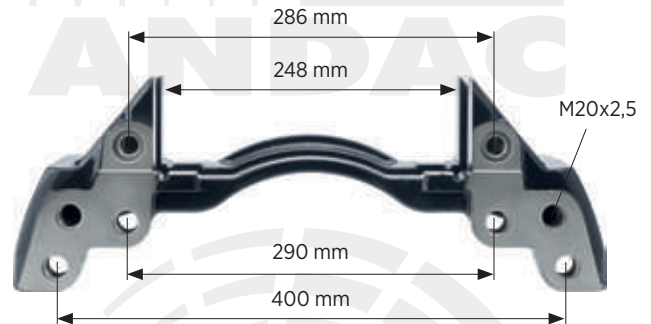
| | | | |
|------------------------|-------------|-------------------------|---------|
| ANDAC No | | 0810 10425 | |
| OE Reference No | | K001538 - 0004212606 | |
| Application | | SB7 | |
| Description | | Caliper Carrier - 22,5" | |
| | Name | Qty. | |
| 1 | T664 | 1 | Carrier |



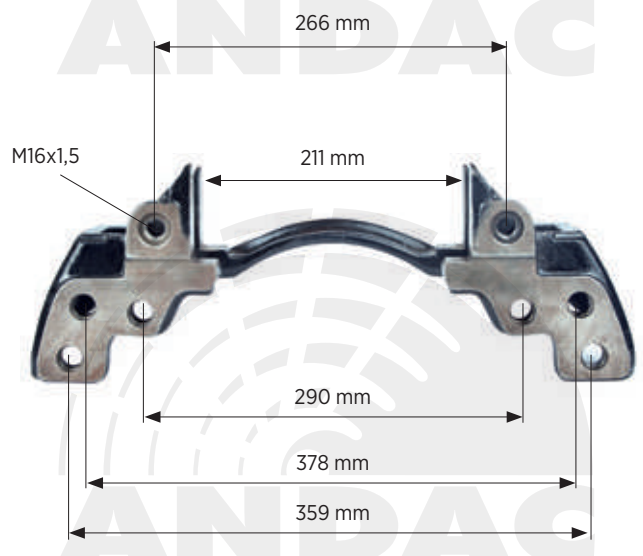
| | | | |
|--------------------------------|-------------|-------------------|---------|
| ANDAC No | | 0810 10426 | |
| OE Reference No | | | |
| Application | | SB7 | |
| Description | | | |
| Caliper Carrier - 22,5" | | | |
| | Name | Qty. | |
| 1 | T665 | 1 | Carrier |
| | | | |
| | | | |
| | | | |
| | | | |
| | | | |
| | | | |
| | | | |
| | | | |



| | | | |
|--------------------------------|-------------|-------------------|---------|
| ANDAC No | | 0810 10427 | |
| OE Reference No | | | |
| Application | | SB7 / SN7 | |
| Description | | | |
| Caliper Carrier - 22,5" | | | |
| | Name | Qty. | |
| 1 | T760 | 1 | Carrier |
| | | | |
| | | | |
| | | | |
| | | | |
| | | | |
| | | | |
| | | | |
| | | | |



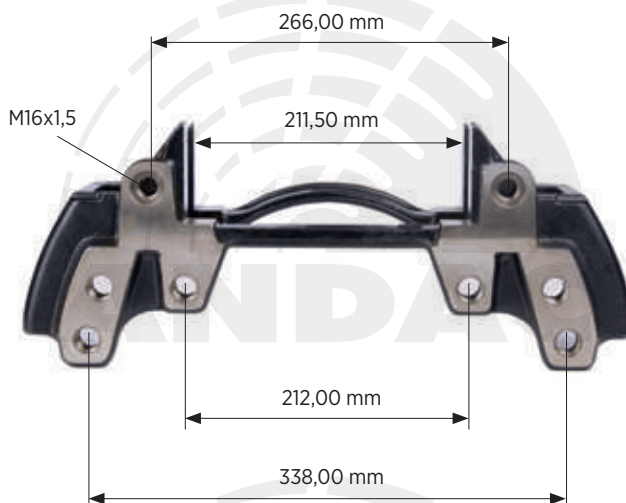
| | | | |
|--------------------------------|-------------|---------------------|---------|
| ANDAC No | | 0810 10479 | |
| OE Reference No | | | |
| Application | | K051853 | |
| Application | | ADB22X / SK7 | |
| Description | | | |
| Caliper Carrier - 22,5" | | | |
| | Name | Qty. | |
| 1 | T762 | 1 | Carrier |
| | | | |
| | | | |
| | | | |
| | | | |
| | | | |
| | | | |
| | | | |
| | | | |



KNORR CARRIERS

ANDAC No 0810 10480

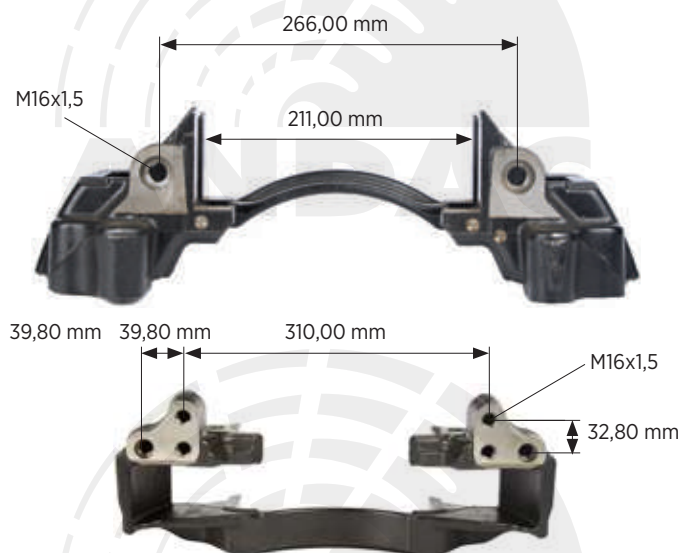
| | | | |
|------------------------|-------------|-------------------------|---------|
| OE Reference No | | K053288 | |
| Application | | | |
| Description | | Caliper Carrier - 22,5" | |
| | Name | Qty. | |
| 1 | T763 | 1 | Carrier |



KNORR
CARRIERS

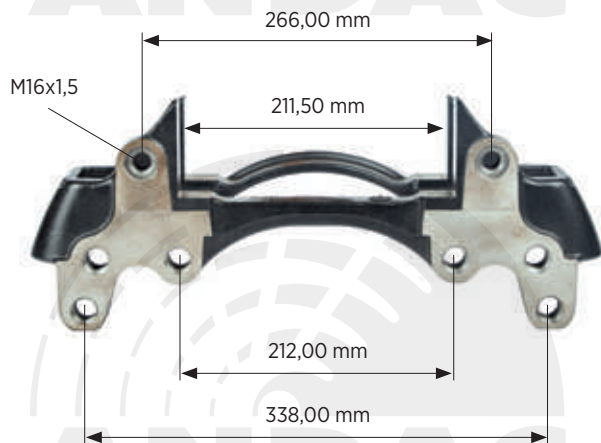
ANDAC No 0810 10481

| | | | |
|------------------------|-------------|-------------------------|---------|
| OE Reference No | | K056559 | |
| Application | | | |
| Description | | Caliper Carrier - 22,5" | |
| | Name | Qty. | |
| 1 | T764 | 1 | Carrier |

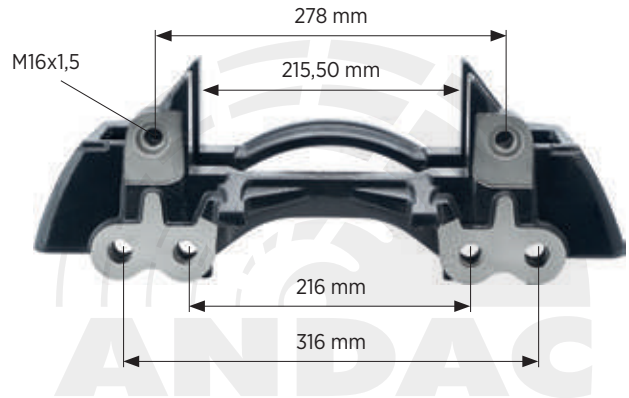


ANDAC No 0810 10482

| | | | |
|------------------------|-------------|-------------------------|---------|
| OE Reference No | | K119508 | |
| Application | | | |
| Description | | Caliper Carrier - 22,5" | |
| | Name | Qty. | |
| 1 | T765 | 1 | Carrier |



| | | | |
|------------------------|-------------|-------------------------|---------|
| ANDAC No | | 0810 10505 | |
| OE Reference No | | K108006K50 | |
| Application | | ST7/SAF | |
| Description | | Caliper Carrier - 22,5" | |
| | Name | Qty. | |
| 1 | T888 | 1 | Carrier |
| | | | |
| | | | |
| | | | |
| | | | |
| | | | |
| | | | |



**MERITOR
DX195**

MERITOR
DX195



| ANDAC No | | 0810 20306 | |
|-----------------|------|--------------------------------------|--------------------|
| OE Reference No | | | |
| Application | | DX195 | |
| Description | | Caliper Overhaul Repair Kit (Left) | |
| Name | Qty. | | |
| 1 | K87 | 2 | Boot |
| 2 | K88 | 2 | Dust Cover |
| 3 | K89 | 2 | Boot |
| 4 | S14 | 2 | Metal Tap |
| 5 | T77 | 1 | Guide Pin Ø32x97mm |
| 6 | T173 | 1 | Guide Pin Ø32x97mm |
| 7 | C3 | 1 | Screw M16x1,5x80mm |
| 8 | C34 | 1 | Screw M16x1,5x55mm |
| 9 | B10 | 2 | Bush |
| 10 | K90 | 1 | Dust Cover |
| 11 | C35 | 2 | Screw M10x20mm |
| 12 | C36 | 4 | Screw M12x30mm |
| 13 | C37 | 2 | Screw M12x30mm FT |
| 14 | C38 | 2 | Screw M8x20mm |
| 15 | CN3 | 1 | Gasket |
| 16 | K91 | 1 | Seal |
| 17 | T78 | 1 | Shaft |
| 18 | HR3 | 1 | Grease Nipple |
| 19 | K52 | 1 | Seal |
| 20 | R5 | 2 | Roller Bearing |
| 21 | R4 | 1 | Roller Bearing |
| 22 | T176 | 1 | Cover |
| 23 | S63 | 1 | Cotter Pin |
| 24 | T153 | 1 | Detent Pin |
| 25 | T146 | 1 | Detent Pin |
| 26 | S33 | 1 | Cotter Pin |
| 27 | C39 | 1 | Screw |
| 28 | S62 | 1 | Washer |
| 29 | T192 | 1 | Mechanism |
| 30 | Y20 | 1 | Spring |
| 31 | K92 | 2 | Seal |
| 32 | T187 | 1 | Pin |
| 33 | S50 | 2 | Wavy Washer |
| 34 | SK3 | 2 | Snap Ring |
| 35 | T179 | 1 | Center Gear |
| 36 | T181 | 1 | Gear |
| 37 | T183 | 1 | Push Plate |
| 38 | T185 | 2 | Screw |
| 39 | S232 | 1 | Washer |
| 40 | S90 | 2 | Pin |
| 41 | T177 | 1 | Bridge |
| 42 | T129 | 1 | Ush |
| 43 | T223 | 1 | Lever (80mm) |
| 44 | C45 | 1 | Screw M8x60mm |
| 45 | C46 | 1 | Bolt Nut |
| 46 | T182 | 2 | Guide Pin |
| 47 | S58 | 1 | Pad Retainer |
| 48 | T180 | 2 | Gear |

MERITOR
DX195



| ANDAC No | | 0810 20307 | |
|-----------------|------|---------------------------------------|--------------------|
| OE Reference No | | | |
| Application | | DX195 | |
| Description | | Caliper Overhaul Repair Kit (Right) | |
| Name | Qty. | | |
| 1 | K87 | 2 | Boot |
| 2 | K88 | 2 | Dust Cover |
| 3 | K89 | 2 | Boot |
| 4 | S14 | 2 | Metal Tap |
| 5 | T77 | 1 | Guide Pin Ø32x97mm |
| 6 | T173 | 1 | Guide Pin Ø32x97mm |
| 7 | C3 | 1 | Screw M16x1,5x80mm |
| 8 | C34 | 1 | Screw M16x1,5x55mm |
| 9 | B10 | 2 | Bush |
| 10 | K90 | 1 | Dust Cover |
| 11 | C35 | 2 | Screw M10x20mm |
| 12 | C36 | 4 | Screw M12x30mm |
| 13 | C37 | 2 | Screw M12x30mm FT |
| 14 | C38 | 2 | Screw M8x20mm |
| 15 | CN3 | 1 | Gasket |
| 16 | K91 | 1 | Seal |
| 17 | T78 | 1 | Shaft |
| 18 | HR3 | 1 | Grease Nipple |
| 19 | K52 | 1 | Seal |
| 20 | R5 | 2 | Roller Bearing |
| 21 | R4 | 1 | Roller Bearing |
| 22 | T176 | 1 | Cover |
| 23 | S63 | 1 | Cotter Pin |
| 24 | T153 | 1 | Detent Pin |
| 25 | T146 | 1 | Detent Pin |
| 26 | S33 | 1 | Cotter Pin |
| 27 | C39 | 1 | Screw |
| 28 | S62 | 1 | Washer |
| 29 | T186 | 1 | Mechanism |
| 30 | Y20 | 1 | Spring |
| 31 | K92 | 2 | Seal |
| 32 | T187 | 1 | Pin |
| 33 | S50 | 2 | Wavy Washer |
| 34 | SK3 | 2 | Snap Ring |
| 35 | T179 | 1 | Center Gear |
| 36 | T181 | 1 | Gear |
| 37 | T183 | 1 | Push Plate |
| 38 | T184 | 2 | Screw |
| 39 | S232 | 1 | Washer |
| 40 | S90 | 2 | Pin |
| 41 | T177 | 1 | Bridge |
| 42 | T129 | 1 | Ush |
| 43 | T223 | 1 | Lever (80mm) |
| 44 | C45 | 1 | Screw M8x60mm |
| 45 | C46 | 1 | Bolt Nut |
| 46 | T178 | 2 | Guide Pin |
| 47 | S58 | 1 | Pad Retainer |
| 48 | T180 | 2 | Gear |



| ANDAC No | | 0810 20123 | |
|-----------------|------|--------------------|--------------------|
| OE Reference No | | MCK1171 | |
| Application | | DX195 | |
| Description | | Caliper Repair Kit | |
| Name | Qty. | | |
| 1 | K87 | 2 | Boot |
| 2 | K88 | 2 | Dust Cover |
| 3 | K89 | 2 | Boot |
| 4 | S14 | 2 | Metal Tap |
| 5 | T77 | 1 | Guide Pin Ø32x97mm |
| 6 | T173 | 1 | Guide Pin Ø32x97mm |
| 7 | C3 | 1 | Screw M16x1,5x80mm |
| 8 | C34 | 1 | Screw M16x1,5x55mm |
| 9 | B10 | 2 | Bush |
| 10 | K90 | 1 | Dust Cover |
| 11 | C35 | 2 | Screw M10x20mm |
| 12 | C36 | 4 | Screw M12x30mm |
| 13 | C37 | 2 | Screw M12x30mm FT |
| 14 | C38 | 2 | Screw M8x20mm |
| 15 | T153 | 1 | Detent Pin |
| 16 | S63 | 1 | Cotter Pin |
| 17 | C39 | 1 | Screw |
| 18 | S62 | 1 | Washer |
| 19 | CN3 | 1 | Gasket |
| 20 | T146 | 1 | Detent Pin |
| 21 | S33 | 1 | Cotter Pin |
| 22 | S64 | 1 | Metal Shim |



| ANDAC No | | 0810 20102 | |
|-----------------|------|--------------------|--------------------|
| OE Reference No | | | |
| Application | | DX195 | |
| Description | | Caliper Repair Kit | |
| Name | Qty. | | |
| 1 | K87 | 2 | Boot |
| 2 | K88 | 2 | Dust Cover |
| 3 | K89 | 2 | Boot |
| 4 | S14 | 2 | Metal Tap |
| 5 | T77 | 1 | Guide Pin Ø32x97mm |
| 6 | T173 | 1 | Guide Pin Ø32x97mm |
| 7 | C3 | 1 | Screw M16x1,5x80mm |
| 8 | C34 | 1 | Screw M16x1,5x55mm |
| 9 | B10 | 2 | Bush |
| 10 | K90 | 1 | Dust Cover |
| 11 | C35 | 2 | Screw M10x20mm |
| 12 | C36 | 4 | Screw M12x30mm |
| 13 | C37 | 2 | Screw M12x30mm FT |
| 14 | C38 | 2 | Screw M8x20mm |
| 15 | S62 | 1 | Washer |
| 16 | C39 | 1 | Screw |
| 17 | CN3 | 1 | Gasket |



MERITOR DX195

| ANDAC No | | 0810 20351 | |
|-----------------|------|--------------------|--|
| OE Reference No | | | |
| Application | | DX195 | |
| Description | | Caliper Repair Kit | |
| Name | Qty. | | |
| 1 K87 | 2 | Boot | |
| 2 K88 | 2 | Dust Cover | |
| 3 K89 | 2 | Boot | |
| 4 S14 | 2 | Metal Tap | |
| 5 T77 | 1 | Guide Pin Ø32x97mm | |
| 6 T173 | 1 | Guide Pin Ø32x97mm | |
| 7 C3 | 1 | Screw M16x1,5x80mm | |
| 8 C34 | 1 | Screw M16x1,5x55mm | |
| 9 B10 | 2 | Bush | |
| 10 S90 | 2 | Pin | |
| 11 T146 | 1 | Detent Pin | |
| 12 S33 | 1 | Cotter Pin | |
| 13 C39 | 1 | Screw | |
| 14 S62 | 1 | Washer | |
| 15 C35 | 2 | Screw M10x20mm | |



MERITOR
DX195

| ANDAC No | | 0810 20353 | |
|-----------------|------|--------------------|--|
| OE Reference No | | DSB104 | |
| Application | | DX195 | |
| Description | | Caliper Repair Kit | |
| Name | Qty. | | |
| 1 K87 | 2 | Boot | |
| 2 K88 | 2 | Dust Cover | |
| 3 K89 | 2 | Boot | |
| 4 S14 | 2 | Metal Tap | |
| 5 K90 | 1 | Dust Cover | |
| 6 C35 | 2 | Screw M10x20mm | |
| 7 C36 | 4 | Screw M12x30mm | |
| 8 C37 | 2 | Screw M12x30mm FT | |
| 9 C38 | 2 | Screw M8x20mm | |
| 10 CN3 | 1 | Gasket | |
| 11 C39 | 1 | Screw | |
| 12 S62 | 1 | Washer | |
| 13 K52 | 1 | Seal | |



| | | |
|------------------------|--------------------|----------------------|
| ANDAC No | 0810 20354 | |
| OE Reference No | DSB7 | |
| Application | DX195 | |
| Description | Caliper Repair Kit | |
| | Name | Qty. |
| 1 | K89 | 2 Boot |
| 2 | S14 | 2 Metal Tap |
| 3 | T77 | 1 Guide Pin Ø32x97mm |
| 4 | C3 | 1 Screw M16x1,5x80mm |
| 5 | T173 | 1 Guide Pin Ø32x97mm |
| 6 | C34 | 1 Screw M16x1,5x55mm |
| 7 | B10 | 2 Bush |
| 8 | C39 | 1 Screw |
| 9 | S62 | 1 Washer |
| 10 | T146 | 1 Detent Pin |
| 11 | S33 | 1 Cotter Pin |



| | | |
|------------------------|--------------------|---------------------|
| ANDAC No | 0810 20105 | |
| OE Reference No | | |
| Application | DX195 | |
| Description | Caliper Repair Kit | |
| | Name | Qty. |
| 1 | K87 | 2 Boot |
| 2 | K88 | 2 Dust Cover |
| 3 | K89 | 2 Boot |
| 4 | S14 | 2 Metal Tap |
| 5 | C35 | 2 Screw M10x20mm |
| 6 | C36 | 4 Screw M12x30mm |
| 7 | C37 | 2 Screw M12x30mm FT |
| 8 | C38 | 2 Screw M8x20mm |



| | | |
|------------------------|--------------------|----------------------|
| ANDAC No | 0810 20101 | |
| OE Reference No | MCK1192 | |
| Application | DX195 | |
| Description | Caliper Repair Kit | |
| | Name | Qty. |
| 1 | K87 | 2 Boot |
| 2 | K88 | 2 Dust Cover |
| 3 | K89 | 2 Boot |
| 4 | S14 | 2 Metal Tap |
| 5 | C3 | 1 Screw M16x1,5x80mm |
| 6 | C34 | 1 Screw M16x1,5x55mm |



MERITOR DX195

| ANDAC No | | 0810 20103 | |
|-----------------|------|--------------------|--|
| OE Reference No | | | |
| Application | | DX195 | |
| Description | | Caliper Repair Kit | |
| Name | Qty. | | |
| 1 K87 | 2 | Boot | |
| 2 K88 | 2 | Dust Cover | |
| 3 K89 | 2 | Boot | |



| ANDAC No | | 0810 20299 | |
|-----------------|------|--------------------|--|
| OE Reference No | | | |
| Application | | DX195 | |
| Description | | Caliper Repair Kit | |
| Name | Qty. | | |
| 1 T77 | 1 | Guide Pin Ø32x97mm | |
| 2 C3 | 1 | Screw M16x1.5x80mm | |
| 3 T173 | 1 | Guide Pin Ø32x97mm | |
| 4 C34 | 1 | Screw M16x1,5x55mm | |
| 5 B10 | 2 | Bush | |
| 6 S14 | 2 | Metal Tap | |



| ANDAC No | | 0810 20121 | |
|-----------------|------|----------------------------|--|
| OE Reference No | | MCK1292 | |
| Application | | DX195 | |
| Description | | Caliper Repair Kit (Right) | |
| Name | Qty. | | |
| 1 T177 | 1 | Bridge | |
| 2 T183 | 1 | Push Plate | |
| 3 T129 | 1 | Bush | |
| 4 T178 | 2 | Guide Pin | |
| 5 T180 | 2 | Gear | |
| 6 T184 | 2 | Screw | |
| 7 C35 | 2 | Screw M10x20mm | |
| 8 S50 | 2 | Wavy Washer | |
| 9 SK3 | 2 | Snap Ring | |
| 10 S90 | 2 | Pin | |
| 11 S39 | 1 | Metal Tap | |
| 12 K87 | 2 | Boot | |
| 13 K88 | 2 | Dust Cover | |



MERITOR DX195

| | | |
|------------------------|----------------------------------|------------------|
| ANDAC No | 0810 20122 | |
| OE Reference No | MCK1293 | |
| Application | DX195 | |
| Description | Caliper Repair Kit (Left) | |
| | Name | Qty. |
| 1 | T177 | 1 Bridge |
| 2 | T183 | 1 Push Plate |
| 3 | T129 | 1 Bush |
| 4 | T182 | 2 Guide Pin |
| 5 | T180 | 2 Gear |
| 6 | T185 | 2 Screw |
| 7 | C35 | 2 Screw M10x20mm |
| 8 | S50 | 2 Wavy Washer |
| 9 | SK3 | 2 Snap Ring |
| 10 | S90 | 2 Pin |
| 11 | S39 | 1 Metal Tap |
| 12 | K87 | 2 Boot |
| 13 | K88 | 2 Dust Cover |

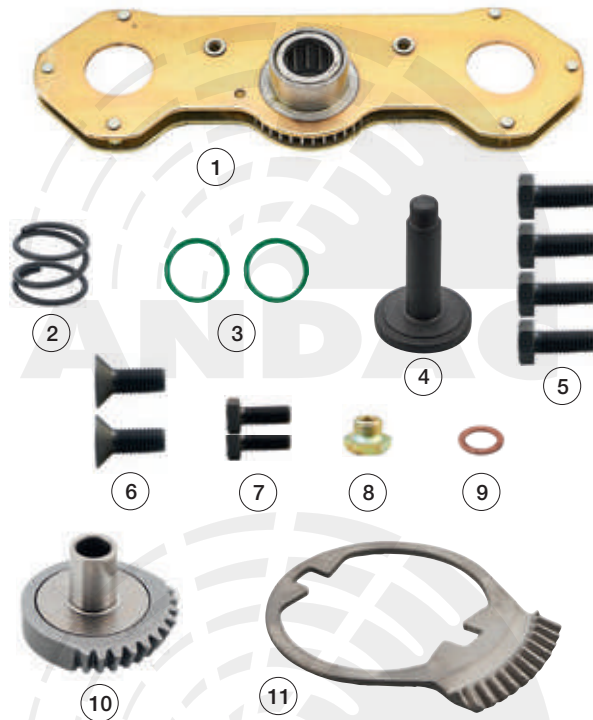


| | | |
|------------------------|---|---------------------|
| ANDAC No | 0810 20119 | |
| OE Reference No | MCK1290 | |
| Application | DX195 | |
| Description | Caliper Mechanism Repair Kit (Right) | |
| | Name | Qty. |
| 1 | T186 | 1 Mechanism |
| 2 | Y20 | 1 Spring |
| 3 | K92 | 2 Seal |
| 4 | T187 | 1 Pin |
| 5 | C36 | 4 Screw M12x30mm |
| 6 | C37 | 2 Screw M12x30mm FT |
| 7 | C38 | 2 Screw M8x20mm |
| 8 | C39 | 1 Screw |
| 9 | S62 | 1 Washer |
| 10 | T181 | 1 Gear |
| 11 | T179 | 1 Center Gear |

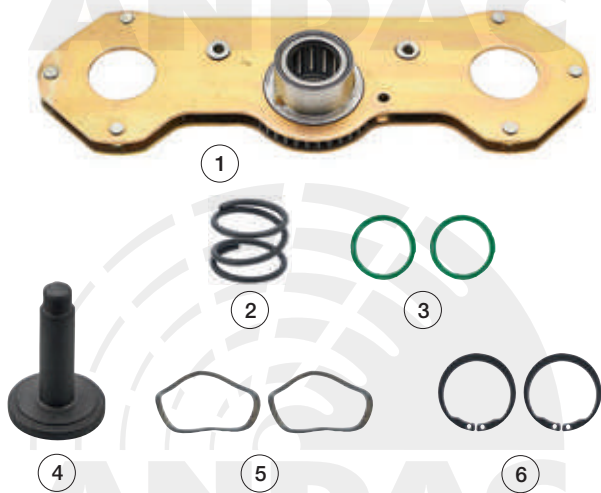


MERITOR DX195

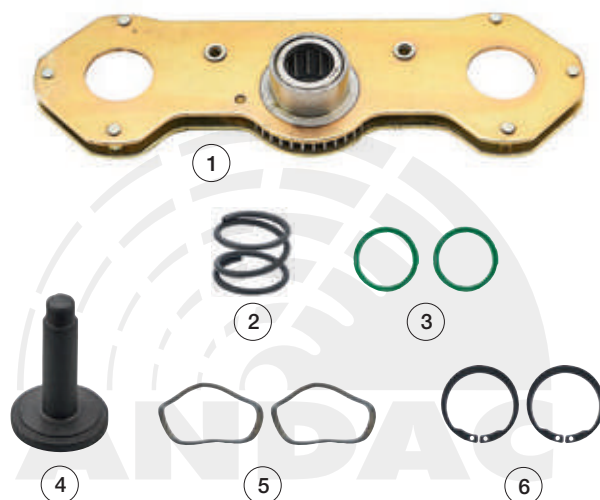
| ANDAC No | | 0810 20120 | |
|-----------------|------|-------------------------------------|--|
| OE Reference No | | MCK1291 | |
| Application | | DX195 | |
| Description | | Caliper Mechanism Repair Kit (Left) | |
| Name | Qty. | | |
| 1 T192 | 1 | Mechanism | |
| 2 Y20 | 1 | Spring | |
| 3 K92 | 2 | Seal | |
| 4 T187 | 1 | Pin | |
| 5 C36 | 4 | Screw M12x30mm | |
| 6 C37 | 2 | Screw M12x30mm FT | |
| 7 C38 | 2 | Screw M8x20mm | |
| 8 C39 | 1 | Screw | |
| 9 S62 | 1 | Washer | |
| 10 T181 | 1 | Gear | |
| 11 T179 | 1 | Center Gear | |



| ANDAC No | | 0810 20117 | |
|-----------------|------|--------------------------------------|--|
| OE Reference No | | DSB5R | |
| Application | | DX195 | |
| Description | | Caliper Mechanism Repair Kit (Right) | |
| Name | Qty. | | |
| 1 T186 | 1 | Mechanism | |
| 2 Y20 | 1 | Spring | |
| 3 K92 | 2 | Seal | |
| 4 T187 | 1 | Pin | |
| 5 S50 | 2 | Wavy Washer | |
| 6 SK3 | 2 | Snap Ring | |



| ANDAC No | | 0810 20118 | |
|-----------------|------|-------------------------------------|--|
| OE Reference No | | DSB5L | |
| Application | | DX195 | |
| Description | | Caliper Mechanism Repair Kit (Left) | |
| Name | Qty. | | |
| 1 T192 | 1 | Mechanism | |
| 2 Y20 | 1 | Spring | |
| 3 K92 | 2 | Seal | |
| 4 T187 | 1 | Pin | |
| 5 S50 | 2 | Wavy Washer | |
| 6 SK3 | 2 | Snap Ring | |



MERITOR DX195

| | | | |
|------------------------|--------------------------|------|----------------|
| ANDAC No | 0810 20352 | | |
| OE Reference No | MCK1168 | | |
| Application | DX195 | | |
| Description | Caliper Shaft Repair Kit | | |
| | Name | Qty. | |
| 1 | T78 | 1 | Shaft |
| 2 | HR3 | 1 | Grease Nipple |
| 3 | K52 | 1 | Seal |
| 4 | R5 | 1 | Roller Bearing |
| 5 | CN3 | 1 | Gasket |
| 6 | T176 | 1 | Cover |
| 7 | C38 | 2 | Screw M8x20mm |
| 8 | C45 | 1 | Screw M8x60mm |
| 9 | C46 | 1 | Bolt Nut |
| 10 | S33 | 1 | Cotter Pin |
| 11 | C39 | 1 | Screw |
| 12 | S62 | 1 | Washer |
| 13 | K91 | 1 | Seal |
| 14 | T146 | 1 | Detent Pin |



MERITOR
DX195

| | | | |
|------------------------|--------------------------|------|----------------|
| ANDAC No | 0810 20298 | | |
| OE Reference No | | | |
| Application | DX195 | | |
| Description | Caliper Shaft Repair Kit | | |
| | Name | Qty. | |
| 1 | T78 | 1 | Shaft |
| 2 | HR3 | 1 | Grease Nipple |
| 3 | K52 | 1 | Seal |
| 4 | R5 | 2 | Roller Bearing |



| | | | |
|------------------------|-------------------|------|---------------|
| ANDAC No | 0810 20104 | | |
| OE Reference No | | | |
| Application | DX195 | | |
| Description | Caliper Shaft Kit | | |
| | Name | Qty. | |
| 1 | T78 | 1 | Shaft |
| 2 | HR3 | 1 | Grease Nipple |
| 3 | K52 | 1 | Seal |



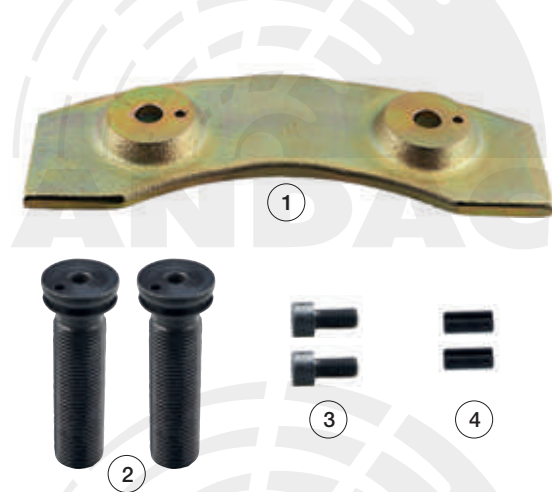
| | | | |
|------------------------|-------------------------|-------------|-------------|
| ANDAC No | 0810 20116 | | |
| OE Reference No | CMSK.19.3 | | |
| Application | DX195 | | |
| Description | Caliper Gear Repair Kit | | |
| | Name | Qty. | |
| 1 | T179 | 1 | Center Gear |
| 2 | T181 | 1 | Gear |
| | | | |
| | | | |



| | | | |
|------------------------|--------------------|-------------|----------------|
| ANDAC No | 0810 20127 | | |
| OE Reference No | | | |
| Application | DX195 | | |
| Description | Caliper Repair Kit | | |
| | Name | Qty. | |
| 1 | T176 | 1 | Cover |
| 2 | R5 | 1 | Roller Bearing |
| 3 | K90 | 1 | Dust Cover |
| 4 | K91 | 1 | Seal |
| 5 | CN3 | 1 | Gasket |
| 6 | C38 | 2 | Screw M8x20mm |
| | | | |
| | | | |

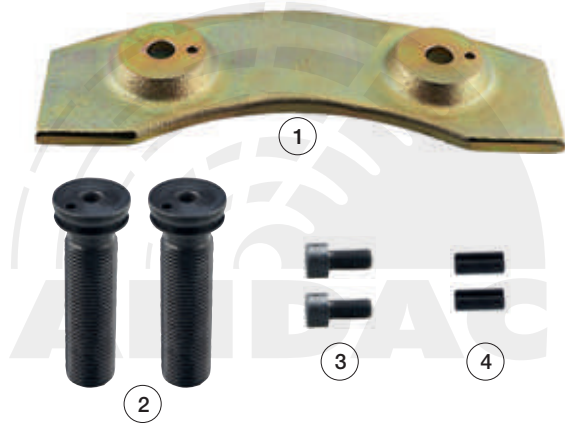


| | | | |
|------------------------|------------------------------|-------------|----------------|
| ANDAC No | 0810 20110 | | |
| OE Reference No | | | |
| Application | DX195 | | |
| Description | Caliper Push Plate (Right) | | |
| | Name | Qty. | |
| 1 | T183 | 1 | Push Plate |
| 2 | T184 | 2 | Screw |
| 3 | C35 | 2 | Screw M10x20mm |
| 4 | S90 | 2 | Pin |
| | | | |
| | | | |



MERITOR DX195

| ANDAC No | | 0810 20111 | |
|-----------------|------|-----------------------------|--|
| OE Reference No | | | |
| Application | | DX195 | |
| Description | | Caliper Push Plate (Left) | |
| Name | Qty. | | |
| 1 T183 | 1 | Push Plate | |
| 2 T185 | 2 | Screw | |
| 3 C35 | 2 | Screw M10x20mm | |
| 4 S90 | 2 | Pin | |



| ANDAC No | | 0810 20112 | |
|-----------------|------|------------------------------|--|
| OE Reference No | | | |
| Application | | DX195 | |
| Description | | Caliper Repair Kit (Right) | |
| Name | Qty. | | |
| 1 T178 | 2 | Guide Pin | |
| 2 T180 | 2 | Gear | |
| 3 S50 | 2 | Wavy Washer | |
| 4 SK3 | 2 | Snap Ring | |



| ANDAC No | | 0810 20113 | |
|-----------------|------|-----------------------------|--|
| OE Reference No | | | |
| Application | | DX195 | |
| Description | | Caliper Repair Kit (Left) | |
| Name | Qty. | | |
| 1 T182 | 2 | Guide Pin | |
| 2 T180 | 2 | Gear | |
| 3 S50 | 2 | Wavy Washer | |
| 4 SK3 | 2 | Snap Ring | |



| | | |
|------------------------|------------------------------|---------------|
| ANDAC No | 0810 20114 | |
| OE Reference No | | |
| Application | DX195 | |
| Description | Caliper Repair Kit (Right) | |
| | Name | Qty. |
| 1 | T178 | 2 Guide Pin |
| 2 | T180 | 2 Gear |
| 3 | T184 | 2 Screw |
| 4 | S50 | 2 Wavy Washer |
| 5 | SK3 | 2 Snap Ring |



| | | |
|------------------------|-----------------------------|---------------|
| ANDAC No | 0810 20115 | |
| OE Reference No | | |
| Application | DX195 | |
| Description | Caliper Repair Kit (Left) | |
| | Name | Qty. |
| 1 | T182 | 2 Guide Pin |
| 2 | T180 | 2 Gear |
| 3 | T185 | 2 Screw |
| 4 | S50 | 2 Wavy Washer |
| 5 | SK3 | 2 Snap Ring |



| | | |
|------------------------|--------------------|------------------|
| ANDAC No | 0810 20128 | |
| OE Reference No | MCK1160 - 21224954 | |
| Application | DX195 | |
| Description | Caliper Lever | |
| | Name | Qty. |
| 1 | T223 | 1 Lever (80mm) |
| 2 | C45 | 1 Screw M8x60mm |
| 3 | C46 | 1 Bolt Nut |



MERITOR DX195

| | | | |
|------------------------|-------------|--------------------|--------------|
| ANDAC No | | 0810 20129 | |
| OE Reference No | | MCK1161 - 21224955 | |
| Application | | DX195 | |
| Description | | Caliper Lever | |
| | Name | Qty. | |
| 1 | T224 | 1 | Lever (90mm) |
| 2 | C53 | 1 | Screw |



MERITOR
DX195

| | | | |
|------------------------|-------------|------------------------|----------------|
| ANDAC No | | 0810 20130 | |
| OE Reference No | | | |
| Application | | DX195 | |
| Description | | Caliper Roller Bearing | |
| | Name | Qty. | |
| 1 | R5 | 1 | Roller Bearing |



| | | | |
|------------------------|-------------|------------------------|----------------|
| ANDAC No | | 0810 20131 | |
| OE Reference No | | | |
| Application | | DX195 | |
| Description | | Caliper Roller Bearing | |
| | Name | Qty. | |
| 1 | R4 | 1 | Roller Bearing |



| | | | |
|------------------------|-------------|----------------------------|----------------|
| ANDAC No | | 0810 20132 | |
| OE Reference No | | MCK1344 - DSB3 | |
| Application | | DX195 | |
| Description | | Caliper Roller Bearing Kit | |
| | Name | Qty. | |
| 1 | R4 | 1 | Roller Bearing |
| 2 | R5 | 2 | Roller Bearing |
| 3 | T129 | 1 | Bush |



MERITOR DX195

MERITOR
DX195

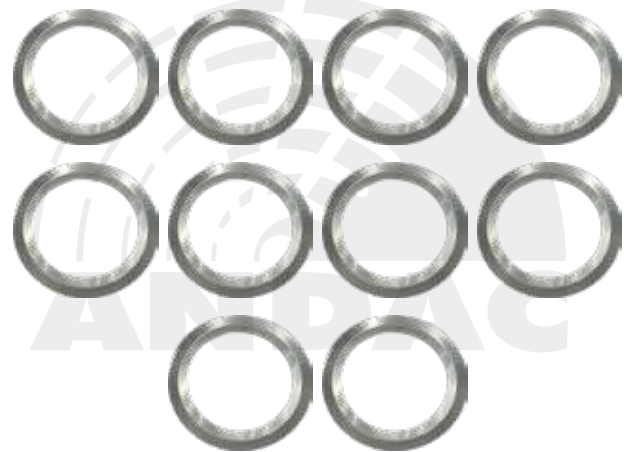
| | | | |
|------------------------|-------------|-------------------|------|
| ANDAC No | | 0810 20301 | |
| OE Reference No | | | |
| Application | | DX195 | |
| Description | | Caliper Seal | |
| | Name | Qty. | |
| 1 | K91 | 5 | Seal |
| | | | |
| | | | |
| | | | |



| | | | |
|------------------------|-------------|---------------------|------|
| ANDAC No | | 0810 20302 | |
| OE Reference No | | 1488186 - 1205X2572 | |
| Application | | DX195 | |
| Description | | Caliper Seal | |
| | Name | Qty. | |
| 1 | K90 | 5 | Seal |
| | | | |
| | | | |
| | | | |

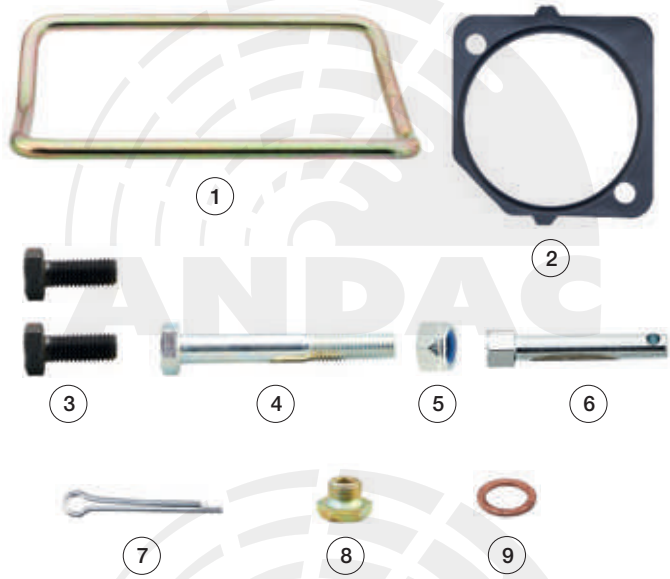


| | | | |
|------------------------|-------------|--------------------|--------|
| ANDAC No | | 0810 20422 | |
| OE Reference No | | | |
| Application | | DX195 | |
| Description | | Caliper Repair Kit | |
| | Name | Qty. | |
| 1 | S232 | 10 | Washer |
| | | | |
| | | | |
| | | | |



MERITOR DX195

| | | | |
|------------------------|--------------------|-------------|----------------|
| ANDAC No | 0810 20133 | | |
| OE Reference No | MCK1154 | | |
| Application | DX195 | | |
| Description | Caliper Repair Kit | | |
| | Name | Qty. | |
| 1 | S58 | 1 | Stabilizer Bar |
| 2 | CN3 | 1 | Gasket |
| 3 | C38 | 2 | Screw M8x20mm |
| 4 | C45 | 1 | Screw M8x60mm |
| 5 | C46 | 1 | Bolt Nut |
| 6 | T146 | 1 | Detent Pin |
| 7 | S33 | 1 | Cotter Pin |
| 8 | C39 | 1 | Screw |
| 9 | S62 | 1 | Washer |



| | | | |
|------------------------|--------------------|-------------|------------|
| ANDAC No | 0810 20135 | | |
| OE Reference No | | | |
| Application | DX195 | | |
| Description | Caliper Repair Kit | | |
| | Name | Qty. | |
| 1 | K90 | 1 | Dust Cover |
| 2 | T153 | 1 | Detent Pin |
| 3 | S63 | 1 | Cotter Pin |
| 4 | T146 | 1 | Detent Pin |
| 5 | S33 | 1 | Cotter Pin |



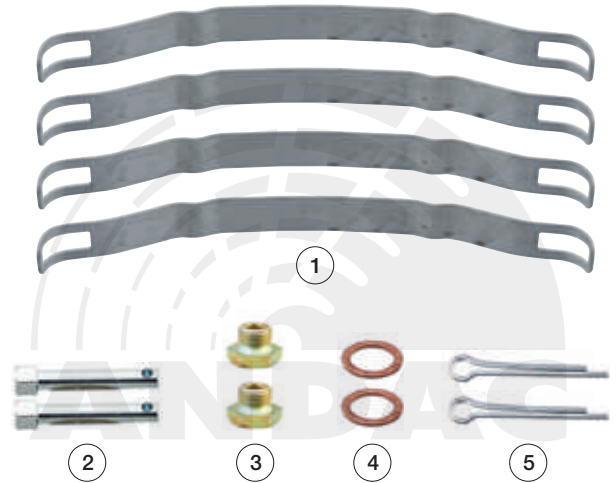
| | | | |
|------------------------|--------------------|-------------|---------------|
| ANDAC No | 0810 20136 | | |
| OE Reference No | | | |
| Application | DX195 | | |
| Description | Caliper Repair Kit | | |
| | Name | Qty. | |
| 1 | K90 | 1 | Dust Cover |
| 2 | T153 | 1 | Detent Pin |
| 3 | S63 | 1 | Cotter Pin |
| 4 | T146 | 1 | Detent Pin |
| 5 | S33 | 1 | Cotter Pin |
| 6 | S64 | 1 | Metal Shim |
| 7 | C38 | 2 | Screw M8x20mm |



| | | |
|------------------------|------------------------|-------------|
| ANDAC No | 0810 20137 | |
| OE Reference No | 2297J6692 | |
| Application | DX195 | |
| Description | Caliper Stabilizer Bar | |
| | Name | Qty. |
| 1 | S58 | 1 |
| | Stabilizer Bar | |



| | | |
|------------------------|--------------------|-------------|
| ANDAC No | 0810 20496 | |
| OE Reference No | WVA 29124 , MBA100 | |
| Application | DX195 | |
| Description | Pad Retainer Kit | |
| | Name | Qty. |
| 1 | S208 | 4 |
| | Retention Spring | |
| 2 | T146 | 2 |
| | Detent Pin | |
| 3 | C39 | 2 |
| | Screw | |
| 4 | S62 | 2 |
| | Washer | |
| 5 | S33 | 2 |
| | Cotter Pin | |



| | | |
|------------------------|-----------------------------|-------------|
| ANDAC No | 0810 20139 | |
| OE Reference No | 15224836SR | |
| Application | DX195 | |
| Description | Caliper Cover Plate (Right) | |
| | Name | Qty. |
| 1 | T243 | 1 |
| | Cover Plate | |
| 2 | S39 | 1 |
| | Metal Tap | |



| | | |
|------------------------|----------------------------|-------------|
| ANDAC No | 0810 20140 | |
| OE Reference No | 15224837SR | |
| Application | DX195 | |
| Description | Caliper Cover Plate (Left) | |
| | Name | Qty. |
| 1 | T242 | 1 |
| | Cover Plate | |
| 2 | S39 | 1 |
| | Metal Tap | |



**MERITOR
DX225**

MERITOR
DX225



ANDAC

ANDAC No 0810 20107
OE Reference No MCK1172
Application DX225
Description Caliper Repair Kit

| Name | Qty. | |
|---------|------|--------------------|
| 1 K116 | 2 | Boot |
| 2 K115 | 2 | Dust Cover |
| 3 K114 | 2 | Boot |
| 4 S193 | 2 | Metal Tap |
| 5 T597 | 1 | Guide Pin Ø35x98mm |
| 6 T598 | 1 | Guide Pin Ø35x98mm |
| 7 C31 | 1 | Screw M18x2,5x90mm |
| 8 C30 | 1 | Screw M18x2,5x55mm |
| 9 B13 | 2 | Bush |
| 10 K90 | 1 | Dust Cover |
| 11 C35 | 2 | Screw M10x20 |
| 12 C36 | 4 | Screw M12x30mm |
| 13 C37 | 2 | Screw M12x30mm FT |
| 14 C38 | 2 | Screw M8x20mm |
| 15 CN3 | 1 | Gasket |
| 16 T153 | 1 | Detent Pin |
| 17 S63 | 1 | Cotter Pin |
| 18 C39 | 1 | Screw |
| 19 S62 | 1 | Washer |
| 20 T146 | 1 | Detent Pin |
| 21 S33 | 1 | Cotter Pin |
| 22 S64 | 1 | Metal Shim |


ANDAC No 0810 20348
OE Reference No MCK1193
Application DX225
Description Caliper Repair Kit

| Name | Qty. | |
|--------|------|--------------------|
| 1 K116 | 2 | Boot |
| 2 K115 | 2 | Dust Cover |
| 3 K114 | 2 | Boot |
| 4 S193 | 2 | Metal Tap |
| 5 C31 | 1 | Screw M18x2,5x90mm |
| 6 C30 | 1 | Screw M18x2,5x55mm |



MERITOR DX225

| | | | |
|------------------------|--------------------|-------------|------------|
| ANDAC No | 0810 20349 | | |
| OE Reference No | | | |
| Application | DX225 | | |
| Description | Caliper Repair Kit | | |
| | Name | Qty. | |
| 1 | K116 | 2 | Boot |
| 2 | K115 | 2 | Dust Cover |
| 3 | K114 | 2 | Boot |



| | | | |
|------------------------|--------------------|-------------|-------------------|
| ANDAC No | 0810 20509 | | |
| OE Reference No | | | |
| Application | DX225 | | |
| Description | Caliper Repair Kit | | |
| | Name | Qty. | |
| 1 | K116 | 2 | Boot |
| 2 | K115 | 2 | Dust Cover |
| 3 | K114 | 2 | Boot |
| 4 | S193 | 2 | Metal Tap |
| 5 | C36 | 4 | Screw M12x30mm |
| 6 | C37 | 2 | Screw M12x30mm FT |
| 7 | C35 | 2 | Screw M12x20mm |
| 8 | C38 | 2 | Screw M8x20mm |



| | | | |
|------------------------|--------------------|-------------|--------------------|
| ANDAC No | 0810 20473 | | |
| OE Reference No | | | |
| Application | DX225 | | |
| Description | Caliper Repair Kit | | |
| | Name | Qty. | |
| 1 | B13 | 2 | Bush |
| 2 | S193 | 2 | Metal Tap |
| 3 | T597 | 1 | Guide Pin Ø35x98mm |
| 4 | T598 | 1 | Guide Pin Ø35x98mm |
| 5 | C31 | 1 | Screw M18x2,5x90mm |
| 6 | C30 | 1 | Screw M18x2,5x55mm |



| ANDAC No | | 0810 20483 | |
|-----------------|------|----------------------------|--|
| OE Reference No | | | |
| Application | | DX225 | |
| Description | | Caliper Repair Kit (Left) | |
| Name | Qty. | | |
| 1 T419 | 1 | Bridge | |
| 2 T487 | 1 | Push Plate | |
| 3 T129 | 1 | Bush | |
| 4 T535 | 2 | Guide Pin | |
| 5 T180 | 2 | Gear | |
| 6 T533 | 2 | Screw | |
| 7 C35 | 2 | Screw M10x20mm | |
| 8 S50 | 2 | Wavy Washer | |
| 9 SK3 | 2 | Snap Ring | |
| 10 S90 | 2 | Pin | |
| 11 S39 | 1 | Metal Tap | |
| 12 K116 | 2 | Boot | |
| 13 K115 | 2 | Dust Cover | |

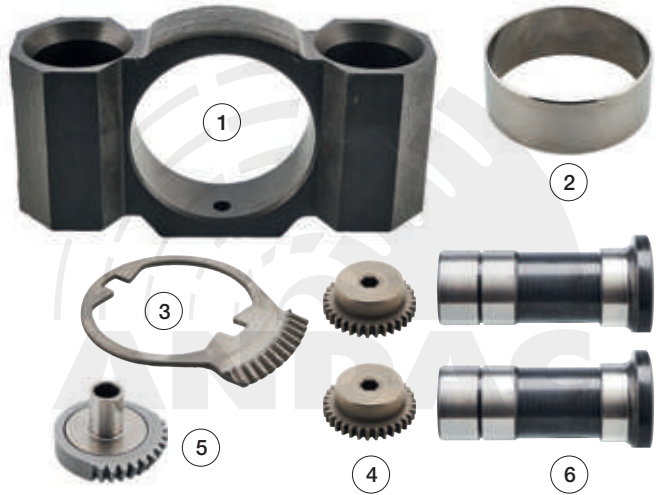


| ANDAC No | | 0810 20484 | |
|-----------------|------|-----------------------------|--|
| OE Reference No | | | |
| Application | | DX225 | |
| Description | | Caliper Repair Kit (Right) | |
| Name | Qty. | | |
| 1 T419 | 1 | Bridge | |
| 2 T487 | 1 | Push Plate | |
| 3 T129 | 1 | Bush | |
| 4 T535 | 2 | Guide Pin | |
| 5 T180 | 2 | Gear | |
| 6 T534 | 2 | Screw | |
| 7 C35 | 2 | Screw M10x20mm | |
| 8 S50 | 2 | Wavy Washer | |
| 9 SK3 | 2 | Snap Ring | |
| 10 S90 | 2 | Pin | |
| 11 S39 | 1 | Metal Tap | |
| 12 K116 | 2 | Boot | |
| 13 K115 | 2 | Dust Cover | |



MERITOR DX225

| ANDAC No | | 0810 20481 |
|-----------------|------|------------------------------|
| OE Reference No | | |
| Application | | DX225 |
| Description | | Caliper Housing Kit (Left) |
| Name | Qty. | |
| 1 T419 | 1 | Bridge |
| 2 T129 | 1 | Bush |
| 3 T179 | 1 | Center Gear |
| 4 T180 | 2 | Gear |
| 5 T181 | 1 | Gear |
| 6 T535 | 2 | Guide Pin |



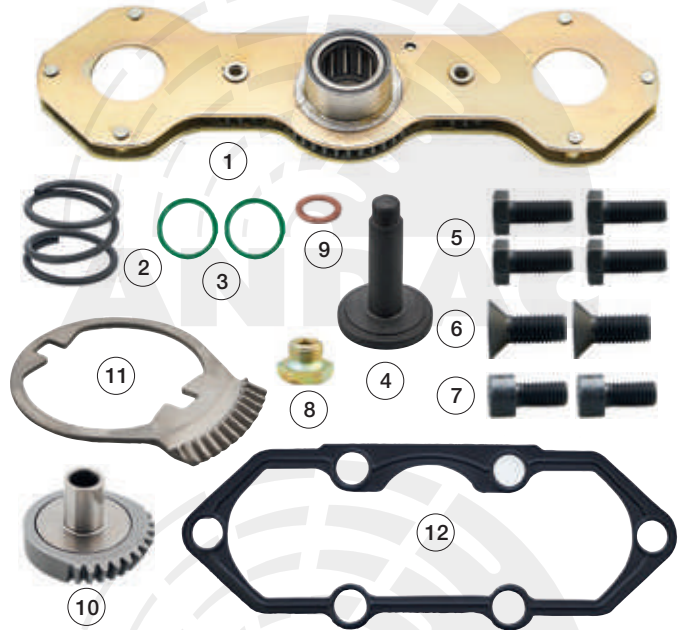
| ANDAC No | | 0810 20482 |
|-----------------|------|-------------------------------|
| OE Reference No | | |
| Application | | DX225 |
| Description | | Caliper Housing Kit (Right) |
| Name | Qty. | |
| 1 T419 | 1 | Bridge |
| 2 T129 | 1 | Bush |
| 3 T179 | 1 | Center Gear |
| 4 T180 | 2 | Gear |
| 5 T181 | 1 | Gear |
| 6 T536 | 2 | Guide Pin |



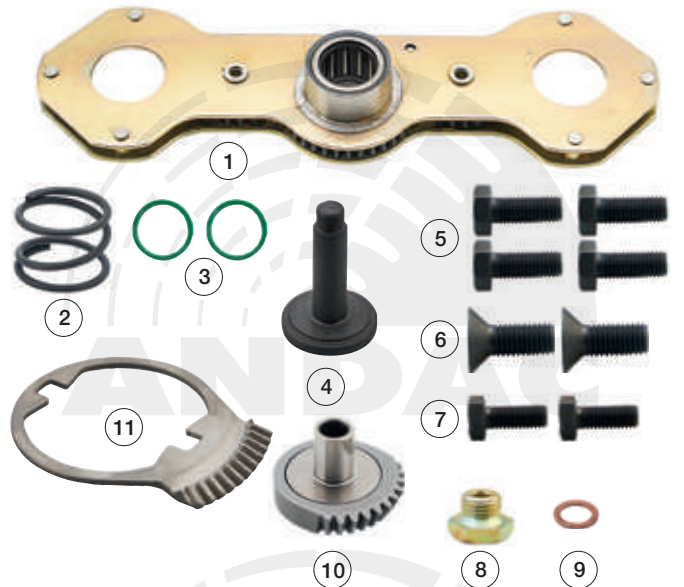
| ANDAC No | | 0810 20471 |
|-----------------|------|-------------------------------------|
| OE Reference No | | MCK1336 |
| Application | | DX225 |
| Description | | Caliper Mechanism Repair Kit (Left) |
| Name | Qty. | |
| 1 T383 | 1 | Mechanism |
| 2 Y20 | 1 | Spring |
| 3 K92 | 2 | Seal |
| 4 T187 | 1 | Pin |
| 5 C36 | 4 | Screw M12x30mm |
| 6 C37 | 2 | Screw M12x30mm FT |
| 7 C35 | 2 | Screw M10X20mm |
| 8 C39 | 1 | Screw |
| 9 S62 | 1 | Washer |
| 10 T181 | 1 | Gear |
| 11 T179 | 1 | Center Gear |
| 12 CN7 | 1 | Gasket |



| | | | |
|------------------------|--------------------------------------|-------------|-------------------|
| ANDAC No | 0810 20472 | | |
| OE Reference No | MCK1337 | | |
| Application | DX225 | | |
| Description | Caliper Mechanism Repair Kit (Right) | | |
| | Name | Qty. | |
| 1 | T382 | 1 | Mechanism |
| 2 | Y20 | 1 | Spring |
| 3 | K92 | 2 | Seal |
| 4 | T187 | 1 | Pin |
| 5 | C36 | 4 | Screw M12x30mm |
| 6 | C37 | 2 | Screw M12x30mm FT |
| 7 | C35 | 2 | Screw M10X20mm |
| 8 | C39 | 1 | Screw |
| 9 | S62 | 1 | Washer |
| 10 | T181 | 1 | Gear |
| 11 | T179 | 1 | Center Gear |
| 12 | CN7 | 1 | Gasket |

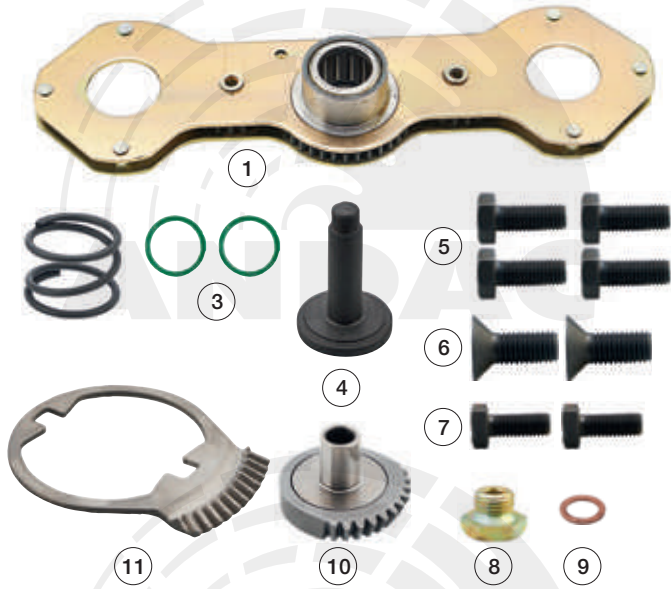


| | | | |
|------------------------|---------------------------------------|-------------|-------------------|
| ANDAC No | 0810 20408 | | |
| OE Reference No | | | |
| Application | DX225 | | |
| Description | Caliper Mechanism Repair Kit (Right) | | |
| | Name | Qty. | |
| 1 | T382 | 1 | Mechanism |
| 2 | Y20 | 1 | Spring |
| 3 | K92 | 2 | Seal |
| 4 | T187 | 1 | Pin |
| 5 | C36 | 4 | Screw M12x30mm |
| 6 | C37 | 2 | Screw M12x30mm FT |
| 7 | C38 | 2 | Screw M8X20mm |
| 8 | C39 | 1 | Screw |
| 9 | S62 | 1 | Washer |
| 10 | T181 | 1 | Gear |
| 11 | T179 | 1 | Center Gear |

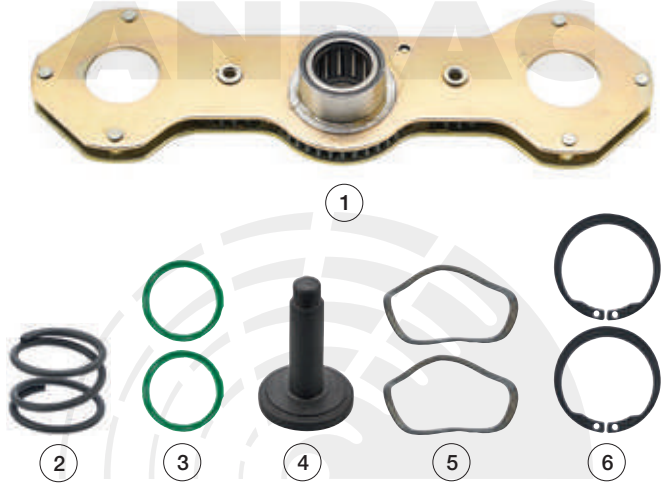


MERITOR DX225

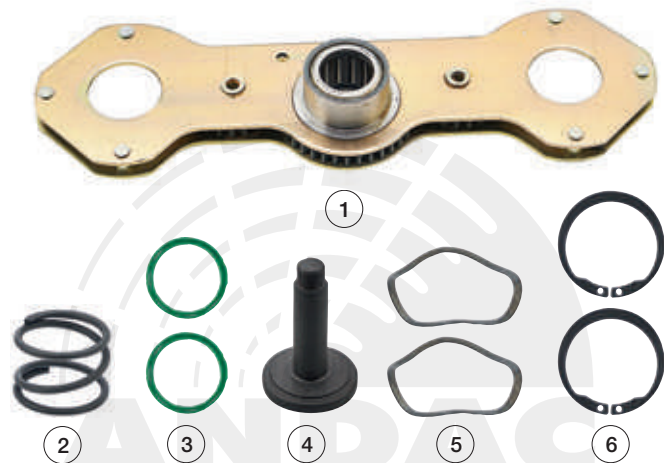
| | | | |
|------------------------|-------------|--|-------------------|
| ANDAC No | | 0810 20409 | |
| OE Reference No | | | |
| Application | | DX225 | |
| Description | | Caliper Mechanism Repair Kit (Left) | |
| | Name | Qty. | |
| 1 | T383 | 1 | Mechanism |
| 2 | Y20 | 1 | Spring |
| 3 | K92 | 2 | Seal |
| 4 | T187 | 1 | Pin |
| 5 | C36 | 4 | Screw M12x30mm |
| 6 | C37 | 2 | Screw M12x30mm FT |
| 7 | C38 | 2 | Screw M8X20mm |
| 8 | C39 | 1 | Screw |
| 9 | S62 | 1 | Washer |
| 10 | T181 | 1 | Gear |
| 11 | T179 | 1 | Center Gear |



| | | | |
|------------------------|-------------|---|-------------|
| ANDAC No | | 0810 20406 | |
| OE Reference No | | | |
| Application | | DX225 | |
| Description | | Caliper Mechanism Repair Kit (Right) | |
| | Name | Qty. | |
| 1 | T382 | 1 | Mechanism |
| 2 | Y20 | 1 | Spring |
| 3 | K92 | 2 | Seal |
| 4 | T187 | 1 | Pin |
| 5 | S50 | 2 | Wavy Washer |
| 6 | SK3 | 2 | Snap Ring |



| | | | |
|------------------------|-------------|--|-------------|
| ANDAC No | | 0810 20407 | |
| OE Reference No | | | |
| Application | | DX225 | |
| Description | | Caliper Mechanism Repair Kit (Left) | |
| | Name | Qty. | |
| 1 | T383 | 1 | Mechanism |
| 2 | Y20 | 1 | Spring |
| 3 | K92 | 2 | Seal |
| 4 | T187 | 1 | Pin |
| 5 | S50 | 2 | Wavy Washer |
| 6 | SK3 | 2 | Snap Ring |



MERITOR DX225

| | | | |
|------------------------|-------------|--------------------------|----------------|
| ANDAC No | | 0810 20352 | |
| OE Reference No | | MCK1168 | |
| Application | | DX225 | |
| Description | | Caliper Shaft Repair Kit | |
| | Name | Qty. | |
| 1 | T78 | 1 | Shaft |
| 2 | HR3 | 1 | Grease Nipple |
| 3 | K52 | 1 | Seal |
| 4 | R5 | 1 | Roller Bearing |
| 5 | CN3 | 1 | Gasket |
| 6 | T176 | 1 | Cover |
| 7 | C38 | 2 | Screw M8x20mm |
| 8 | C45 | 1 | Screw M8x60mm |
| 9 | C46 | 1 | Bolt Nut |
| 10 | T146 | 1 | Detent Pin |
| 11 | S33 | 1 | Cotter Pin |
| 12 | C39 | 1 | Screw |
| 13 | S62 | 1 | Washer |
| 14 | K91 | 1 | Seal |



MERITOR
DX225

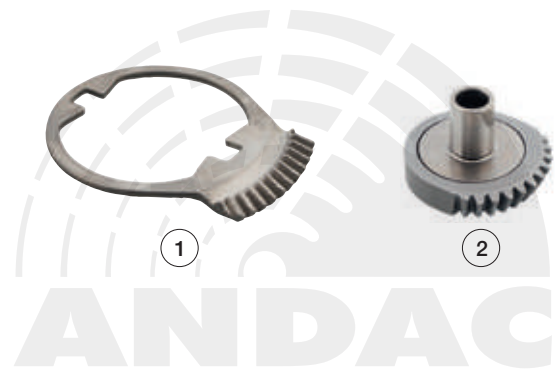
| | | | |
|------------------------|-------------|--------------------------|----------------|
| ANDAC No | | 0810 20298 | |
| OE Reference No | | | |
| Application | | DX225 | |
| Description | | Caliper Shaft Repair Kit | |
| | Name | Qty. | |
| 1 | T78 | 1 | Shaft |
| 2 | HR3 | 1 | Grease Nipple |
| 3 | K52 | 1 | Seal |
| 4 | R5 | 2 | Roller Bearing |



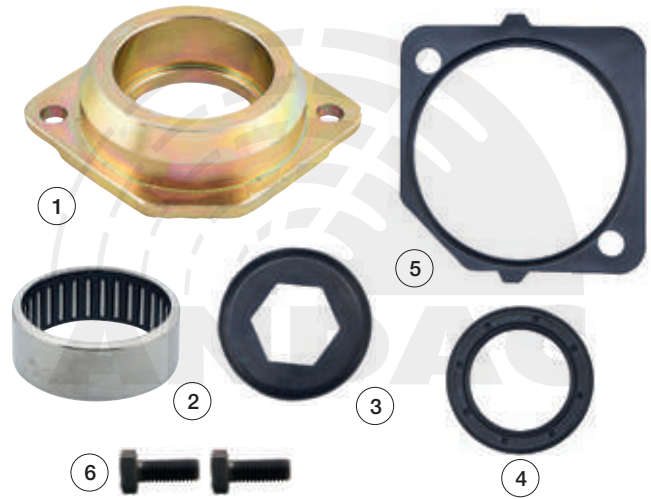
| | | | |
|------------------------|-------------|-------------------|---------------|
| ANDAC No | | 0810 20104 | |
| OE Reference No | | | |
| Application | | DX225 | |
| Description | | Caliper Shaft Kit | |
| | Name | Qty. | |
| 1 | T78 | 1 | Shaft |
| 2 | HR3 | 1 | Grease Nipple |
| 3 | K52 | 1 | Seal |



| | | | |
|------------------------|-------------------------|-------------|-------------|
| ANDAC No | 0810 20116 | | |
| OE Reference No | CMSK.19.3 | | |
| Application | DX225 | | |
| Description | Caliper Gear Repair Kit | | |
| | Name | Qty. | |
| 1 | T179 | 1 | Center Gear |
| 2 | T181 | 1 | Gear |



| | | | |
|------------------------|--------------------|-------------|----------------|
| ANDAC No | 0810 20127 | | |
| OE Reference No | | | |
| Application | DX225 | | |
| Description | Caliper Repair Kit | | |
| | Name | Qty. | |
| 1 | T176 | 1 | Cover |
| 2 | R5 | 1 | Roller Bearing |
| 3 | K90 | 1 | Dust Cover |
| 4 | K91 | 1 | Seal |
| 5 | CN3 | 1 | Gasket |
| 6 | C38 | 2 | Screw M8x20mm |



| | | | |
|------------------------|---------------------------------|-------------|----------------|
| ANDAC No | 0810 20477 | | |
| OE Reference No | | | |
| Application | DX225 | | |
| Description | Caliper Push Plate Kit (Left) | | |
| | Name | Qty. | |
| 1 | T487 | 1 | Push Plate |
| 2 | T533 | 2 | Screw |
| 3 | C35 | 2 | Screw M10x20mm |
| 4 | S90 | 2 | Pin |

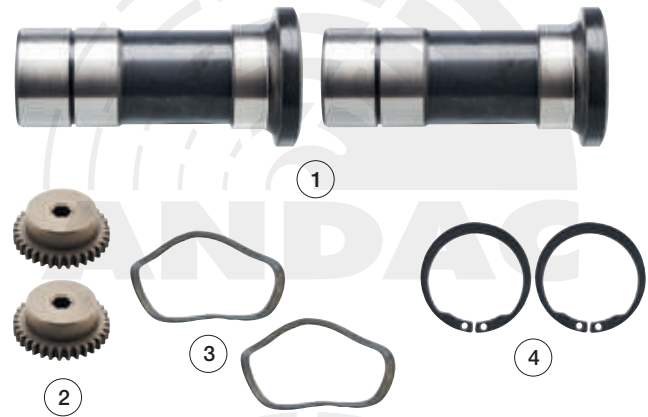


MERITOR DX225

| | | | |
|------------------------|---|-------------|----------------|
| ANDAC No | 0810 20478 | | |
| OE Reference No | | | |
| Application | DX225 | | |
| Description | Caliper Push Plate Kit (Right) | | |
| | Name | Qty. | |
| 1 | T487 | 1 | Push Plate |
| 2 | T534 | 2 | Screw |
| 3 | C35 | 2 | Screw M10x20mm |
| 4 | S90 | 2 | Pin |



| | | | |
|------------------------|------------------------------------|-------------|-------------|
| ANDAC No | 0810 20479 | | |
| OE Reference No | | | |
| Application | DX225 | | |
| Description | Caliper Repair Kit (Left) | | |
| | Name | Qty. | |
| 1 | T535 | 2 | Guide Pin |
| 2 | T180 | 2 | Gear |
| 3 | S50 | 2 | Wavy Washer |
| 4 | SK3 | 2 | Snap Ring |



| | | | |
|------------------------|------------------------------------|-------------|-------------|
| ANDAC No | 0810 20480 | | |
| OE Reference No | | | |
| Application | DX225 | | |
| Description | Caliper Repair Kit (Left) | | |
| | Name | Qty. | |
| 1 | T536 | 2 | Guide Pin |
| 2 | T180 | 2 | Gear |
| 3 | S50 | 2 | Wavy Washer |
| 4 | SK3 | 2 | Snap Ring |



| | | |
|------------------------|--------------------|-------------|
| ANDAC No | 0810 20128 | |
| OE Reference No | MCK1160 - 21224954 | |
| Application | DX225 | |
| Description | Caliper Lever | |
| | Name | Qty. |
| 1 | T223 | 1 |
| 2 | C45 | 1 |
| 3 | C46 | 1 |
| | | |
| | | |



| | | |
|------------------------|--------------------|-------------|
| ANDAC No | 0810 20129 | |
| OE Reference No | MCK1161 - 21224955 | |
| Application | DX225 | |
| Description | Caliper Lever | |
| | Name | Qty. |
| 1 | T224 | 1 |
| 2 | C45 | 1 |
| | | |
| | | |



| | | |
|------------------------|------------------------|-------------|
| ANDAC No | 0810 20130 | |
| OE Reference No | | |
| Application | DX225 | |
| Description | Caliper Roller Bearing | |
| | Name | Qty. |
| 1 | R5 | 1 |
| | | |
| | | |



| | | |
|------------------------|------------------------|-------------|
| ANDAC No | 0810 20131 | |
| OE Reference No | | |
| Application | DX225 | |
| Description | Caliper Roller Bearing | |
| | Name | Qty. |
| 1 | R4 | 1 |
| | | |
| | | |



MERITOR DX225

| | | | |
|------------------------|----------------------------|-------------|----------------|
| ANDAC No | 0810 20132 | | |
| OE Reference No | MCK1344 - DSB3 | | |
| Application | DX225 | | |
| Description | Caliper Roller Bearing Kit | | |
| | Name | Qty. | |
| 1 | R4 | 1 | Roller Bearing |
| 2 | R5 | 2 | Roller Bearing |
| 3 | T129 | 1 | Bush |



| | | | |
|------------------------|-------------------|-------------|------|
| ANDAC No | 0810 20301 | | |
| OE Reference No | | | |
| Application | DX225 | | |
| Description | Caliper Seal | | |
| | Name | Qty. | |
| 1 | K91 | 5 | Seal |



| | | | |
|------------------------|----------------------------------|-------------|------------|
| ANDAC No | 0810 20302 | | |
| OE Reference No | 1488186 - 1205 X 2572 - 21225226 | | |
| Application | DX225 | | |
| Description | Caliper Seal | | |
| | Name | Qty. | |
| 1 | K90 | 5 | Dust Cover |



| | | | |
|------------------------|--------------------|-------------|--------|
| ANDAC No | 0810 20422 | | |
| OE Reference No | | | |
| Application | DX225 | | |
| Description | Caliper Repair Kit | | |
| | Name | Qty. | |
| 1 | S232 | 10 | Washer |



| | | |
|------------------------|--------------------|--------------|
| ANDAC No | 0810 20135 | |
| OE Reference No | | |
| Application | DX225 | |
| Description | Caliper Repair Kit | |
| | Name | Qty. |
| 1 | K90 | 1 Dust Cover |
| 2 | T153 | 1 Detent Pin |
| 3 | S63 | 1 Cotter Pin |
| 4 | T146 | 1 Detent Pin |
| 5 | S33 | 1 Cotter Pin |



| | | |
|------------------------|--------------------|-----------------|
| ANDAC No | 0810 20136 | |
| OE Reference No | | |
| Application | DX225 | |
| Description | Caliper Repair Kit | |
| | Name | Qty. |
| 1 | K90 | 1 Dust Cover |
| 2 | T153 | 1 Detent Pin |
| 3 | S63 | 1 Cotter Pin |
| 4 | T146 | 1 Detent Pin |
| 5 | S33 | 1 Cotter Pin |
| 6 | S64 | 1 Metal Shim |
| 7 | C38 | 2 Screw M8x20mm |



| | | |
|------------------------|------------------------|------------------|
| ANDAC No | 0810 20510 | |
| OE Reference No | | |
| Application | DX225 | |
| Description | Caliper Stabilizer Bar | |
| | Name | Qty. |
| 1 | S240 | 1 Stabilizer Bar |



| | | |
|------------------------|------------------------|------------------|
| ANDAC No | 0810 20138 | |
| OE Reference No | | |
| Application | DX225 | |
| Description | Caliper Stabilizer Bar | |
| | Name | Qty. |
| 1 | S66 | 1 Stabilizer Bar |

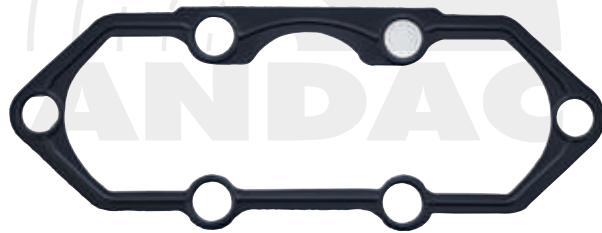


MERITOR DX225

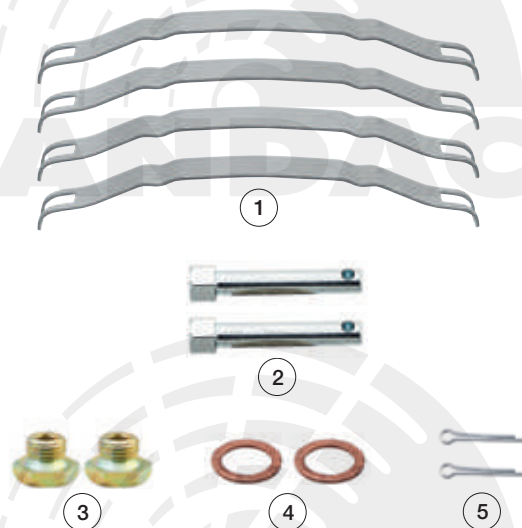
| | | | |
|------------------------|-------------|--------------------|----------------|
| ANDAC No | | 0810 20511 | |
| OE Reference No | | MCK1155 | |
| Application | | DX225 | |
| Description | | Caliper Repair Kit | |
| | Name | Qty. | |
| 1 | S240 | 1 | Stabilizer Bar |
| 2 | CN3 | 1 | Gasket |
| 3 | C38 | 2 | Screw M8x20mm |
| 4 | C46 | 1 | Bolt Nut M8 |
| 5 | C45 | 1 | Screw M8X60mm |
| 6 | T146 | 1 | Detent Pin |
| 7 | S33 | 1 | Cotter Pin |



| | | | |
|------------------------|-------------|----------------------|--------|
| ANDAC No | | 0810 20487 | |
| OE Reference No | | | |
| Application | | DX225 | |
| Description | | Caliper Cover Gasket | |
| | Name | Qty. | |
| 1 | CN7 | 1 | Gasket |



| | | | |
|------------------------|-------------|--------------------|------------------|
| ANDAC No | | 0810 20496 | |
| OE Reference No | | WVA 29124 , MBA100 | |
| Application | | DX225 | |
| Description | | Pad Retainer Kit | |
| | Name | Qty. | |
| 1 | S208 | 4 | Retention Spring |
| 2 | T146 | 2 | Detent Pin |
| 3 | C39 | 2 | Screw |
| 4 | S62 | 2 | Washer |
| 5 | S33 | 2 | Cotter Pin |





MERITOR DX225

MERITOR
DX225

**MERITOR
DX225-21**

MERITOR
DX225-21



ANDAC

| ANDAC No | | 0810 20124 | |
|-----------------|------|-----------------------|--|
| OE Reference No | | MCK1261 | |
| Application | | DX225-21 | |
| Description | | Caliper Repair Kit | |
| Name | Qty. | | |
| 1 K87 | 2 | Boot | |
| 2 K88 | 2 | Dust Cover | |
| 3 K114 | 2 | Boot | |
| 4 S14 | 2 | Metal Tap | |
| 5 T137 | 1 | Guide Pin Ø32x93,50mm | |
| 6 T138 | 1 | Guide Pin Ø32x93,50mm | |
| 7 C3 | 1 | Screw M16x1,5x80mm | |
| 8 C34 | 1 | Screw M16x1,5x55mm | |
| 9 B10 | 2 | Bush | |
| 10 K90 | 1 | Dust Cover | |
| 11 C35 | 2 | Screw M10x20mm | |
| 12 C36 | 4 | Screw M12x30mm | |
| 13 C37 | 2 | Screw M12x30mm FT | |
| 14 C38 | 2 | Screw M8x20mm | |
| 15 T153 | 1 | Detent Pin | |
| 16 S63 | 1 | Cotter Pin | |
| 17 C39 | 1 | Screw | |
| 18 S62 | 1 | Washer | |
| 19 CN3 | 1 | Gasket | |
| 20 T146 | 1 | Detent Pin | |
| 21 S33 | 1 | Cotter Pin | |
| 22 S64 | 1 | Metal Shim | |



| ANDAC No | | 0810 20367 | |
|-----------------|------|-----------------------|--|
| OE Reference No | | | |
| Application | | DX225-21 | |
| Description | | Caliper Repair Kit | |
| Name | Qty. | | |
| 1 K87 | 2 | Boot | |
| 2 K88 | 2 | Dust Cover | |
| 3 K114 | 2 | Boot | |
| 4 S14 | 2 | Metal Tap | |
| 5 T137 | 1 | Guide Pin Ø32x93,50mm | |
| 6 T138 | 1 | Guide Pin Ø32x93,50mm | |
| 7 C3 | 1 | Screw M16x1,5x80mm | |
| 8 C34 | 1 | Screw M16x1,5x55mm | |
| 9 B10 | 2 | Bush | |
| 10 S90 | 2 | Pin | |
| 11 T146 | 1 | Detent Pin | |
| 12 S33 | 1 | Cotter Pin | |
| 13 C39 | 1 | Screw | |
| 14 S62 | 1 | Washer | |
| 15 C35 | 2 | Screw M10x20mm | |



MERITOR
DX225-21

MERITOR DX225-21

| ANDAC No | | 0810 20355 | |
|-----------------|------|-----------------------|--|
| OE Reference No | | | |
| Application | | DX225-21 | |
| Description | | Caliper Repair Kit | |
| Name | Qty. | | |
| 1 K114 | 2 | Boot | |
| 2 S14 | 2 | Metal Tap | |
| 3 T137 | 1 | Guide Pin Ø32x93,50mm | |
| 4 C3 | 1 | Screw M16x1,5x80mm | |
| 5 T138 | 1 | Guide Pin Ø32x93,50mm | |
| 6 C34 | 1 | Screw M16x1,5x55mm | |
| 7 B10 | 2 | Bush | |
| 8 C39 | 1 | Screw | |
| 9 S62 | 1 | Washer | |
| 10 T146 | 1 | Detent Pin | |
| 11 S33 | 1 | Cotter Pin | |



| ANDAC No | | 0810 20350 | |
|-----------------|------|--------------------|--|
| OE Reference No | | | |
| Application | | DX225-21 | |
| Description | | Caliper Repair Kit | |
| Name | Qty. | | |
| 1 K87 | 2 | Boot | |
| 2 K88 | 2 | Dust Cover | |
| 3 K114 | 2 | Boot | |
| 4 S14 | 2 | Metal Tap | |
| 5 C35 | 2 | Screw M10x20mm | |
| 6 C36 | 4 | Screw M12x30mm | |
| 7 C37 | 2 | Screw M12x30mm FT | |
| 8 C38 | 2 | Screw M8x20mm | |



| ANDAC No | | 0810 20300 | |
|-----------------|------|-----------------------|--|
| OE Reference No | | | |
| Application | | DX225-21 | |
| Description | | Caliper Repair Kit | |
| Name | Qty. | | |
| 1 T137 | 1 | Guide Pin Ø32x93,50mm | |
| 2 C3 | 1 | Screw M16x1,5x80mm | |
| 3 T138 | 1 | Guide Pin Ø32x93,50mm | |
| 4 C34 | 1 | Screw M16x1,5x55mm | |
| 5 B10 | 2 | Bush | |
| 6 S14 | 2 | Metal Tap | |



| | | | |
|------------------------|----------------------------|-------------|----------------|
| ANDAC No | 0810 20372 | | |
| OE Reference No | | | |
| Application | DX225-21 | | |
| Description | Caliper Repair Kit (Right) | | |
| | Name | Qty. | |
| 1 | T177 | 1 | Bridge |
| 2 | T241 | 1 | Push Plate |
| 3 | T129 | 1 | Bush |
| 4 | T178 | 2 | Guide Pin |
| 5 | T180 | 2 | Gear |
| 6 | T184 | 2 | Screw |
| 7 | C35 | 2 | Screw M10x20mm |
| 8 | S50 | 2 | Wavy Washer |
| 9 | SK3 | 2 | Snap Ring |
| 10 | S90 | 2 | Pin |
| 11 | S39 | 1 | Metal Tap |
| 12 | K87 | 2 | Boot |
| 13 | K88 | 2 | Dust Cover |



| | | | |
|------------------------|---------------------------|-------------|----------------|
| ANDAC No | 0810 20373 | | |
| OE Reference No | | | |
| Application | DX225-21 | | |
| Description | Caliper Repair Kit (Left) | | |
| | Name | Qty. | |
| 1 | T177 | 1 | Bridge |
| 2 | T241 | 1 | Push Plate |
| 3 | T129 | 1 | Bush |
| 4 | T182 | 2 | Guide Pin |
| 5 | T180 | 2 | Gear |
| 6 | T185 | 2 | Screw |
| 7 | C35 | 2 | Screw M10x20mm |
| 8 | S50 | 2 | Wavy Washer |
| 9 | SK3 | 2 | Snap Ring |
| 10 | S90 | 2 | Pin |
| 11 | S39 | 1 | Metal Tap |
| 12 | K87 | 2 | Boot |
| 13 | K88 | 2 | Dust Cover |



MERITOR
DX225-21

MERITOR DX225-21

| ANDAC No | | 0810 20117 | |
|-----------------|------|--------------------------------------|--|
| OE Reference No | | DSB5R | |
| Application | | DX225-21 | |
| Description | | Caliper Mechanism Repair Kit (Right) | |
| Name | Qty. | | |
| 1 T186 | 1 | Mechanism | |
| 2 Y20 | 1 | Spring | |
| 3 K92 | 2 | Seal | |
| 4 T187 | 1 | Pin | |
| 5 S50 | 2 | Wavy Washer | |
| 6 SK3 | 2 | Snap Ring | |



| ANDAC No | | 0810 20118 | |
|-----------------|------|-------------------------------------|--|
| OE Reference No | | DSB5L | |
| Application | | DX225-21 | |
| Description | | Caliper Mechanism Repair Kit (Left) | |
| Name | Qty. | | |
| 1 T192 | 1 | Mechanism | |
| 2 Y20 | 1 | Spring | |
| 3 K92 | 2 | Seal | |
| 4 T187 | 1 | Pin | |
| 5 S50 | 2 | Wavy Washer | |
| 6 SK3 | 2 | Snap Ring | |



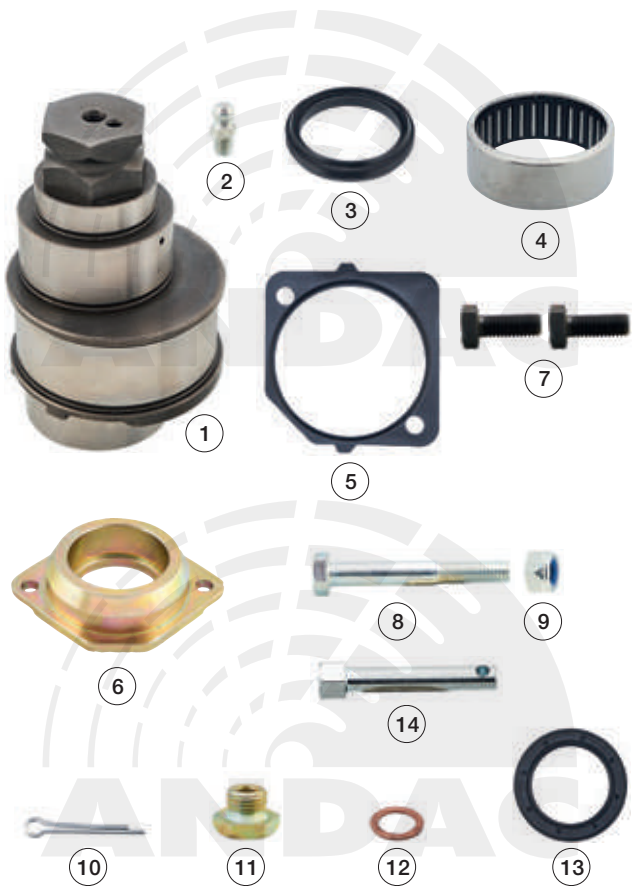
| ANDAC No | | 0810 20109 | |
|-----------------|------|----------------|--|
| OE Reference No | | | |
| Application | | DX225-21 | |
| Description | | Caliper Bridge | |
| Name | Qty. | | |
| 1 T177 | 1 | Bridge | |
| 2 T129 | 1 | Bush | |



| | | | |
|------------------------|---------------------------------|-------------|----------------|
| ANDAC No | 0810 20106 | | |
| OE Reference No | MCK1294 | | |
| Application | DX225-21 | | |
| Description | Caliper Shaft Repair Kit | | |
| | Name | Qty. | |
| 1 | T78 | 1 | Shaft |
| 2 | HR3 | 1 | Grease Nipple |
| 3 | K52 | 1 | Seal |
| 4 | R4 | 1 | Roller Bearing |
| 5 | R5 | 1 | Roller Bearing |
| 6 | K91 | 1 | Seal |
| 7 | CN3 | 1 | Gasket |
| 8 | T176 | 1 | Cover |
| 9 | C38 | 2 | Screw M8x20mm |
| 10 | K90 | 1 | Dust Cover |
| 11 | C45 | 1 | Screw M8x60mm |
| 12 | C46 | 1 | Bolt Nut |
| 13 | T153 | 1 | Detent Pin |
| 14 | S63 | 1 | Cotter Pin |
| 15 | C39 | 1 | Screw |
| 16 | S62 | 1 | Washer |
| 17 | T146 | 1 | Detent Pin |
| 18 | S33 | 1 | Cotter Pin |
| 19 | S232 | 1 | Washer |



| | | | |
|------------------------|---------------------------------|-------------|----------------|
| ANDAC No | 0810 20352 | | |
| OE Reference No | MCK1168 | | |
| Application | DX225-21 | | |
| Description | Caliper Shaft Repair Kit | | |
| | Name | Qty. | |
| 1 | T78 | 1 | Shaft |
| 2 | HR3 | 1 | Grease Nipple |
| 3 | K52 | 1 | Seal |
| 4 | R5 | 1 | Roller Bearing |
| 5 | CN3 | 1 | Gasket |
| 6 | T176 | 1 | Cover |
| 7 | C38 | 2 | Screw M8x20mm |
| 8 | C45 | 1 | Screw M8x60mm |
| 9 | C46 | 1 | Bolt Nut |
| 10 | S33 | 1 | Cotter Pin |
| 11 | C39 | 1 | Screw |
| 12 | S62 | 1 | Washer |
| 13 | K91 | 1 | Seal |
| 14 | T146 | 1 | Detent Pin |



MERITOR
DX225-21

MERITOR DX225-21

| | | | |
|------------------------|-------------|--------------------------|----------------|
| ANDAC No | | 0810 20298 | |
| OE Reference No | | | |
| Application | | DX225-21 | |
| Description | | Caliper Shaft Repair Kit | |
| | Name | Qty. | |
| 1 | T78 | 1 | Shaft |
| 2 | HR3 | 1 | Grease Nipple |
| 3 | K52 | 1 | Seal |
| 4 | R5 | 2 | Roller Bearing |



| | | | |
|------------------------|-------------|-------------------|---------------|
| ANDAC No | | 0810 20104 | |
| OE Reference No | | | |
| Application | | DX225-21 | |
| Description | | Caliper Shaft | |
| | Name | Qty. | |
| 1 | T78 | 1 | Shaft |
| 2 | HR3 | 1 | Grease Nipple |
| 3 | K52 | 1 | Seal |



| | | | |
|------------------------|-------------|-------------------------|-------------|
| ANDAC No | | 0810 20116 | |
| OE Reference No | | CMSK.19.3 | |
| Application | | DX225-21 | |
| Description | | Caliper Gear Repair Kit | |
| | Name | Qty. | |
| 1 | T179 | 1 | Center Gear |
| 2 | T181 | 1 | Gear |

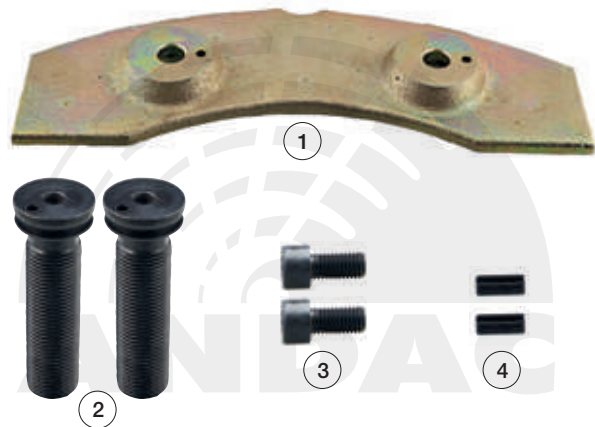


MERITOR DX225-21

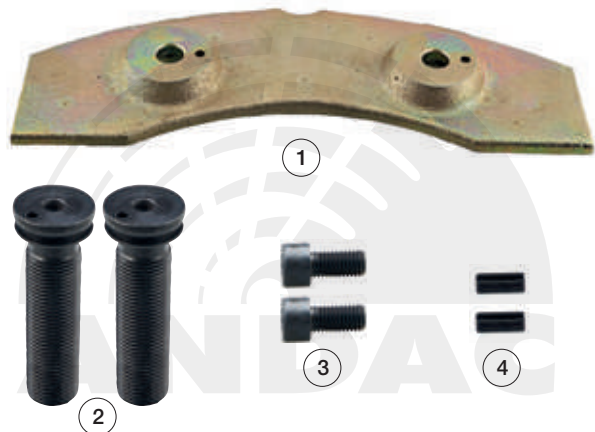
| | | | |
|------------------------|--------------------|-------------|----------------|
| ANDAC No | 0810 20127 | | |
| OE Reference No | | | |
| Application | DX225-21 | | |
| Description | Caliper Repair Kit | | |
| | Name | Qty. | |
| 1 | T176 | 1 | Cover |
| 2 | R5 | 1 | Roller Bearing |
| 3 | K90 | 1 | Dust Cover |
| 4 | K91 | 1 | Seal |
| 5 | CN3 | 1 | Gasket |
| 6 | C38 | 2 | Screw M8x20mm |



| | | | |
|------------------------|------------------------------|-------------|----------------|
| ANDAC No | 0810 20125 | | |
| OE Reference No | | | |
| Application | DX225-21 | | |
| Description | Caliper Push Plate (Right) | | |
| | Name | Qty. | |
| 1 | T241 | 1 | Push Plate |
| 2 | T184 | 2 | Screw |
| 3 | C35 | 2 | Screw M10x20mm |
| 4 | S90 | 2 | Pin |



| | | | |
|------------------------|-----------------------------|-------------|----------------|
| ANDAC No | 0810 20126 | | |
| OE Reference No | | | |
| Application | DX225-21 | | |
| Description | Caliper Push Plate (Left) | | |
| | Name | Qty. | |
| 1 | T241 | 1 | Push Plate |
| 2 | T185 | 2 | Screw |
| 3 | C35 | 2 | Screw M10x20mm |
| 4 | S90 | 2 | Pin |



| | | | |
|------------------------|------------------------------|-------------|-------------|
| ANDAC No | 0810 20112 | | |
| OE Reference No | | | |
| Application | DX225-21 | | |
| Description | Caliper Repair Kit (Right) | | |
| | Name | Qty. | |
| 1 | T178 | 2 | Guide Pin |
| 2 | T180 | 2 | Gear |
| 3 | S50 | 2 | Wavy Washer |
| 4 | SK3 | 2 | Snap Ring |



MERITOR
DX225-21

MERITOR DX225-21

| ANDAC No | | 0810 20113 |
|-----------------|------|-----------------------------|
| OE Reference No | | |
| Application | | DX225-21 |
| Description | | Caliper Repair Kit (Left) |
| Name | Qty. | |
| 1 T182 | 2 | Guide Pin |
| 2 T180 | 2 | Gear |
| 3 S50 | 2 | Wavy Washer |
| 4 SK3 | 2 | Snap Ring |



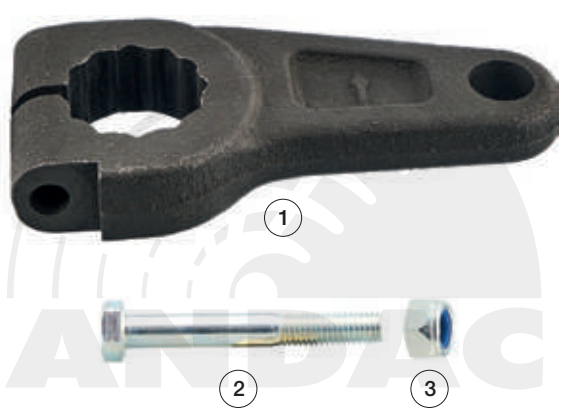
| ANDAC No | | 0810 20114 |
|-----------------|------|------------------------------|
| OE Reference No | | |
| Application | | DX225-21 |
| Description | | Caliper Repair Kit (Right) |
| Name | Qty. | |
| 1 T178 | 2 | Guide Pin |
| 2 T180 | 2 | Gear |
| 3 T184 | 2 | Screw |
| 4 S50 | 2 | Wavy Washer |
| 5 SK3 | 2 | Snap Ring |



| ANDAC No | | 0810 20115 |
|-----------------|------|-----------------------------|
| OE Reference No | | |
| Application | | DX225-21 |
| Description | | Caliper Repair Kit (Left) |
| Name | Qty. | |
| 1 T182 | 2 | Guide Pin |
| 2 T180 | 2 | Gear |
| 3 T185 | 2 | Screw |
| 4 S50 | 2 | Wavy Washer |
| 5 SK3 | 2 | Snap Ring |



| ANDAC No | | 0810 20128 |
|-----------------|------|--------------------|
| OE Reference No | | MCK1160 - 21224954 |
| Application | | DX225-21 |
| Description | | Caliper Lever |
| Name | Qty. | |
| 1 T223 | 1 | Lever (80mm) |
| 2 C45 | 1 | Screw M8x60mm |
| 3 C46 | 1 | Bolt Nut |



MERITOR
DX225-21

| | | | |
|------------------------|-------------|--------------------|----------------|
| ANDAC No | | 0810 20129 | |
| OE Reference No | | MCK1161 - 21224955 | |
| Application | | DX225-21 | |
| Description | | Caliper Lever | |
| | Name | Qty. | |
| 1 | T224 | 1 | Lever (90mm) |
| 2 | C45 | 1 | Screw M8x60mm |
| | | | |
| | | | |



| | | | |
|------------------------|-------------|------------------------|----------------|
| ANDAC No | | 0810 20130 | |
| OE Reference No | | | |
| Application | | DX225-21 | |
| Description | | Caliper Roller Bearing | |
| | Name | Qty. | |
| 1 | R5 | 1 | Roller Bearing |
| | | | |
| | | | |



| | | | |
|------------------------|-------------|------------------------|----------------|
| ANDAC No | | 0810 20131 | |
| OE Reference No | | | |
| Application | | DX225-21 | |
| Description | | Caliper Roller Bearing | |
| | Name | Qty. | |
| 1 | R4 | 1 | Roller Bearing |
| | | | |
| | | | |

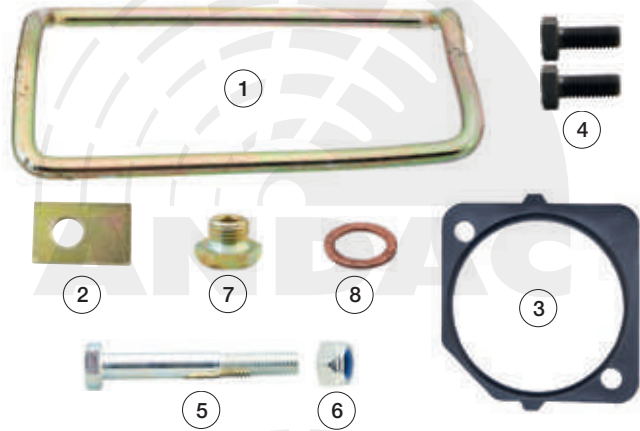


| | | | |
|------------------------|-------------|----------------------------|----------------|
| ANDAC No | | 0810 20132 | |
| OE Reference No | | MCK1344 - DSB3 | |
| Application | | DX225-21 | |
| Description | | Caliper Roller Bearing Kit | |
| | Name | Qty. | |
| 1 | R4 | 1 | Roller Bearing |
| 2 | R5 | 2 | Roller Bearing |
| 3 | T129 | 1 | Bush |
| | | | |
| | | | |



MERITOR DX225-21

| | | | |
|------------------------|-------------|--------------------|----------------|
| ANDAC No | | 0810 20134 | |
| OE Reference No | | MCK1159 | |
| Application | | DX225-21 | |
| Description | | Caliper Repair Kit | |
| | Name | Qty. | |
| 1 | S66 | 1 | Stabilizer Bar |
| 2 | S64 | 1 | Metal Shim |
| 3 | CN3 | 1 | Gasket |
| 4 | C38 | 2 | Screw M8x20mm |
| 5 | C45 | 1 | Screw M8x60mm |
| 6 | C46 | 1 | Bolt Nut |
| 7 | C39 | 1 | Screw |
| 8 | S62 | 1 | Washer |



| | | | |
|------------------------|-------------|--------------------|------------|
| ANDAC No | | 0810 20135 | |
| OE Reference No | | | |
| Application | | DX225-21 | |
| Description | | Caliper Repair Kit | |
| | Name | Qty. | |
| 1 | K90 | 1 | Dust Cover |
| 2 | T153 | 1 | Detent Pin |
| 3 | S63 | 1 | Cotter Pin |
| 4 | T146 | 1 | Detent Pin |
| 5 | S33 | 1 | Cotter Pin |



| | | | |
|------------------------|-------------|--------------------|---------------|
| ANDAC No | | 0810 20136 | |
| OE Reference No | | | |
| Application | | DX225-21 | |
| Description | | Caliper Repair Kit | |
| | Name | Qty. | |
| 1 | K90 | 1 | Dust Cover |
| 2 | T153 | 1 | Detent Pin |
| 3 | S63 | 1 | Cotter Pin |
| 4 | T146 | 1 | Detent Pin |
| 5 | S33 | 1 | Cotter Pin |
| 6 | S64 | 1 | Metal Shim |
| 7 | C38 | 2 | Screw M8x20mm |



MERITOR DX225-21

| | | | |
|-----------------|------|------------------------|----------------|
| ANDAC No | | 0810 20138 | |
| OE Reference No | | | |
| Application | | DX225-21 | |
| Description | | Caliper Stabilizer Bar | |
| | Name | Qty. | |
| 1 | S66 | 1 | Stabilizer Bar |
| | | | |
| | | | |
| | | | |



| | | | |
|-----------------|------|-------------------|------|
| ANDAC No | | 0810 20301 | |
| OE Reference No | | | |
| Application | | DX225-21 | |
| Description | | Caliper Seal | |
| | Name | Qty. | |
| 1 | K91 | 5 | Seal |
| | | | |
| | | | |
| | | | |



| | | | |
|-----------------|------|---------------------|------|
| ANDAC No | | 0810 20302 | |
| OE Reference No | | 1488186 - 1205X2572 | |
| Application | | DX225-21 | |
| Description | | Caliper Seal | |
| | Name | Qty. | |
| 1 | K90 | 5 | Seal |
| | | | |
| | | | |
| | | | |



| | | | |
|-----------------|------|--------------------|--------|
| ANDAC No | | 0810 20422 | |
| OE Reference No | | | |
| Application | | DX225-21 | |
| Description | | Caliper Repair Kit | |
| | Name | Qty. | |
| 1 | S232 | 10 | Washer |
| | | | |
| | | | |
| | | | |



MERITOR
DX225-21

**MERITOR
DUCO**



MERITOR
DUCO

ANDAC No 0810 20315

OE Reference No

Application D DUJO AXIAL (REAR - LEFT)

Description Caliper Complete Overhaul Repair Kit

| | Name | Qty. | |
|----|------|------|---------------------|
| 1 | T38 | 2 | Adjusting Mechanism |
| 2 | T36 | 2 | Tappet |
| 3 | SK1 | 2 | Snap Ring |
| 4 | K23 | 2 | Dust Cover |
| 5 | K49 | 2 | Mechanism Seal |
| 6 | P5 | 2 | Bush (Plastic) |
| 7 | T41 | 1 | Adjusting Mechanism |
| 8 | K31 | 1 | Seal |
| 9 | T34 | 1 | Guide Pin Ø35x102mm |
| 10 | C9 | 1 | Screw M20x2x125mm |
| 11 | T35 | 1 | Guide Pin Ø35x60mm |
| 12 | C11 | 1 | Screw M20x2x80mm |
| 13 | K24 | 2 | Boot |
| 14 | S11 | 2 | Ring |
| 15 | S3 | 2 | Metal Tap |
| 16 | P4 | 1 | Bush (Plastic) |
| 17 | B4 | 1 | Bush |
| 18 | T230 | 1 | Lever |
| 19 | R12 | 2 | Roller Bearing |
| 20 | T128 | 2 | Pin |
| 21 | S25 | 2 | Lever Bearing |
| 22 | K30 | 1 | Eccentric Seal |
| 23 | S23 | 1 | Center Gear Sheet |
| 24 | Y5 | 1 | Spring Ø6x61mm |
| 25 | Y4 | 1 | Spring Ø4x55mm |
| 26 | Y53 | 1 | Spring Ø4x61mm |
| 27 | S84 | 1 | Anti-Rotation Pad |
| 28 | K29 | 1 | Gasket |
| 29 | K25 | 1 | Dust Cover |



MERITOR
DUJO

ANDAC No 0810 20316

OE Reference No
Application D DUCO AXIAL (REAR - RIGHT)

Description Caliper Complete Overhaul Repair Kit

| | Name | Qty. | |
|----|------|------|---------------------|
| 1 | T37 | 2 | Adjusting Mechanism |
| 2 | T36 | 2 | Tappet |
| 3 | SK1 | 2 | Snap Ring |
| 4 | K23 | 2 | Dust Cover |
| 5 | K49 | 2 | Mechanism Seal |
| 6 | P5 | 2 | Bush (Plastic) |
| 7 | T40 | 1 | Adjusting Mechanism |
| 8 | K31 | 1 | Seal |
| 9 | T34 | 1 | Guide Pin Ø35x102mm |
| 10 | C9 | 1 | Screw M20x2x125mm |
| 11 | T35 | 1 | Guide Pin Ø35x60mm |
| 12 | C11 | 1 | Screw M20x2x80mm |
| 13 | K24 | 2 | Boot |
| 14 | S11 | 2 | Ring |
| 15 | S3 | 2 | Metal Tap |
| 16 | P4 | 1 | Bush (Plastic) |
| 17 | B4 | 1 | Bush |
| 18 | T231 | 1 | Lever |
| 19 | R12 | 2 | Roller Bearing |
| 20 | T128 | 2 | Pin |
| 21 | S25 | 2 | Lever Bearing |
| 22 | K30 | 1 | Eccentric Seal |
| 23 | S23 | 1 | Center Gear Sheet |
| 24 | Y5 | 1 | Spring Ø6x61mm |
| 25 | Y4 | 1 | Spring Ø4x55mm |
| 26 | Y53 | 1 | Spring Ø4x61mm |
| 27 | S84 | 1 | Anti-Rotation Pad |
| 28 | K29 | 1 | Gasket |
| 29 | K25 | 1 | Dust Cover |



ANDAC No 0810 20314

OE Reference No

Application D DUCO RADIAL (FRONT - LEFT)

Description Caliper Complete Overhaul Repair Kit

| | Name | Qty. | |
|----|------|------|---------------------|
| 1 | T38 | 2 | Adjusting Mechanism |
| 2 | T36 | 2 | Tappet |
| 3 | SK1 | 2 | Snap Ring |
| 4 | K23 | 2 | Dust Cover |
| 5 | K49 | 2 | Mechanism Seal |
| 6 | P5 | 2 | Bush (Plastic) |
| 7 | T39 | 1 | Adjusting Mechanism |
| 8 | K31 | 1 | Seal |
| 9 | T34 | 2 | Guide Pin Ø35x102mm |
| 10 | C9 | 2 | Screw M20x2x125mm |
| 11 | P4 | 1 | Bush (Plastic) |
| 12 | K24 | 2 | Boot |
| 13 | S11 | 2 | Ring |
| 14 | S3 | 2 | Metal Tap |
| 15 | B4 | 2 | Bush |
| 16 | T234 | 1 | Lever |
| 17 | R12 | 2 | Roller Bearing |
| 18 | T128 | 2 | Pin |
| 19 | S29 | 2 | Lever Bearing |
| 20 | K30 | 1 | Eccentric Seal |
| 21 | S23 | 1 | Center Gear Sheet |
| 22 | Y5 | 1 | Spring Ø6x61mm |
| 23 | Y4 | 1 | Spring Ø4x55mm |
| 24 | Y53 | 1 | Spring Ø4x61mm |
| 25 | S84 | 1 | Anti-Rotation Pad |
| 26 | K27 | 1 | Gasket |
| 27 | K26 | 1 | Dust Cover |

MERITOR
DUCO



| | |
|-----------------|-------------------|
| ANDAC No | 0810 20523 |
|-----------------|-------------------|

| | |
|------------------------|--|
| OE Reference No | |
|------------------------|--|

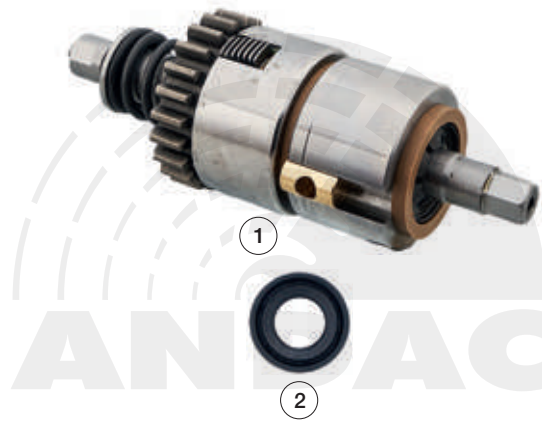
| | |
|--------------------|--------------------------------------|
| Application | D DUCO RADIAL (FRONT - RIGHT) |
|--------------------|--------------------------------------|

| | |
|--------------------|---|
| Description | Caliper Complete Overhaul Repair Kit |
|--------------------|---|

| | Name | Qty. | |
|----|------|------|---------------------|
| 1 | T37 | 2 | Adjusting Mechanism |
| 2 | T36 | 2 | Tappet |
| 3 | SK1 | 2 | Snap Ring |
| 4 | K23 | 2 | Dust Cover |
| 5 | K49 | 2 | Mechanism Seal |
| 6 | P5 | 2 | Bush (Plastic) |
| 7 | T39 | 1 | Adjusting Mechanism |
| 8 | K31 | 1 | Seal |
| 9 | T34 | 2 | Guide Pin Ø35x102mm |
| 10 | C9 | 2 | Screw M20x2x125mm |
| 11 | P4 | 1 | Bush (Plastic) |
| 12 | K24 | 2 | Boot |
| 13 | S11 | 2 | Ring |
| 14 | S3 | 2 | Metal Tap |
| 15 | B4 | 2 | Bush |
| 16 | T234 | 1 | Lever |
| 17 | R12 | 2 | Roller Bearing |
| 18 | T128 | 2 | Pin |
| 19 | S29 | 2 | Lever Bearing |
| 20 | K30 | 1 | Eccentric Seal |
| 21 | S23 | 1 | Center Gear Sheet |
| 22 | Y5 | 1 | Spring Ø6x61mm |
| 23 | Y4 | 1 | Spring Ø4x55mm |
| 24 | Y53 | 1 | Spring Ø4x61mm |
| 25 | S84 | 1 | Anti-Rotation Pad |
| 26 | K27 | 1 | Gasket |
| 27 | K26 | 1 | Dust Cover |



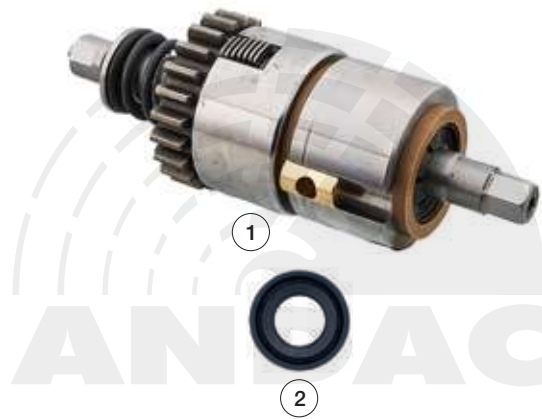
| | | | |
|------------------------|--|------|---------------------|
| ANDAC No | 0810 20152 | | |
| OE Reference No | MCK1113 - SJ4110 - 85102093 - 3092267 | | |
| Application | C DUCO, D DUCO, LE DUCO | | |
| Description | Caliper Adjusting Mechanism (Front-Right/Left) | | |
| | Name | Qty. | |
| 1 | T39 | 1 | Adjusting Mechanism |
| 2 | K31 | 1 | Seal |
| | | | |
| | | | |



| | | | |
|------------------------|---|------|---------------------|
| ANDAC No | 0810 20153 | | |
| OE Reference No | MCK1111 - SJ4102 - 85102095 - 3092265 | | |
| Application | C DUCO, D DUCO, LE DUCO | | |
| Description | Caliper Adjusting Mechanism (Rear-Left) | | |
| | Name | Qty. | |
| 1 | T41 | 1 | Adjusting Mechanism |
| 2 | K31 | 1 | Seal |
| | | | |
| | | | |



| | | | |
|------------------------|--|------|---------------------|
| ANDAC No | 0810 20154 | | |
| OE Reference No | MCK1112 - SJ4103 - 85102096 - 3092266 | | |
| Application | C DUCO, D DUCO, LE DUCO | | |
| Description | Caliper Adjusting Mechanism (Rear-Right) | | |
| | Name | Qty. | |
| 1 | T40 | 1 | Adjusting Mechanism |
| 2 | K31 | 1 | Seal |
| | | | |
| | | | |



| | | | |
|------------------------|---------------------------------|------|----------------|
| ANDAC No | 0810 20155 | | |
| OE Reference No | 68322297PK10 | | |
| Application | B DUCO, C DUCO, D DUCO, LE DUCO | | |
| Description | Caliper Eccentric Seal | | |
| | Name | Qty. | |
| 1 | K30 | 10 | Eccentric Seal |
| | | | |
| | | | |



MERITOR DUCO

| ANDAC No | | 0810 20156 | |
|-----------------|------|--|--|
| OE Reference No | | MCK1237 - 3092263 | |
| Application | | D DUCO RADIAL, C DUCO, LE DUCO | |
| Description | | Caliper Adjusting Mechanism Repair Kit (Right) | |
| Name | Qty. | | |
| 1 T37 | 2 | Adjusting Mechanism | |
| 2 T36 | 2 | Tappet | |
| 3 SK1 | 2 | Snap Ring | |
| 4 K23 | 2 | Dust Cover | |
| 5 K49 | 2 | Mechanism Seal | |
| 6 P5 | 2 | Bush (Plastic) | |



| ANDAC No | | 0810 20157 | |
|-----------------|------|---|--|
| OE Reference No | | | |
| Application | | C DUCO, D DUCO, LE DUCO | |
| Description | | Caliper Adjusting Mechanism Repair Kit (Right) / Half Kit | |
| Name | Qty. | | |
| 1 T37 | 1 | Adjusting Mechanism | |
| 2 T36 | 1 | Tappet | |
| 3 SK1 | 1 | Snap Ring | |
| 4 K23 | 1 | Dust Cover | |
| 5 K49 | 1 | Mechanism Seal | |
| 6 P5 | 1 | Bush (Plastic) | |



| ANDAC No | | 0810 20158 | |
|-----------------|------|---|--|
| OE Reference No | | MCK1236 - 3092262 | |
| Application | | D DUCO RADIAL, C DUCO, LE DUCO | |
| Description | | Caliper Adjusting Mechanism Repair Kit (Left) | |
| Name | Qty. | | |
| 1 T38 | 2 | Adjusting Mechanism | |
| 2 T36 | 2 | Tappet | |
| 3 SK1 | 2 | Snap Ring | |
| 4 K23 | 2 | Dust Cover | |
| 5 K49 | 2 | Mechanism Seal | |
| 6 P5 | 2 | Bush (Plastic) | |



| | | |
|------------------------|---|-------------|
| ANDAC No | 0810 20159 | |
| OE Reference No | | |
| Application | C DUCO, D DUCO, LE DUCO | |
| Description | Caliper Adjusting Mechanism Repair Kit (Left) / Half Kit | |
| | Name | Qty. |
| 1 | T38 | 1 |
| 2 | T36 | 1 |
| 3 | SK1 | 1 |
| 4 | K23 | 1 |
| 5 | K49 | 1 |
| 6 | P5 | 1 |



| | | |
|------------------------|--|-------------|
| ANDAC No | 0810 20212 | |
| OE Reference No | | |
| Application | B DUCO, C DUCO, D DUCO, LE DUCO | |
| Description | Caliper Roller Bearing | |
| | Name | Qty. |
| 1 | R12 | 2 |



| | | |
|------------------------|---------------------------------------|-------------|
| ANDAC No | 0810 20213 | |
| OE Reference No | SJ4098 - 3092261 | |
| Application | D DUCO RADIAL, C DUCO, LE DUCO | |
| Description | Caliper Roller Bearing Kit | |
| | Name | Qty. |
| 1 | R12 | 2 |
| 2 | T128 | 2 |
| 3 | S29 | 2 |



MERITOR DUCO

MERITOR DUCO

| | | | |
|------------------------|------|--------------------------------|----------------|
| ANDAC No | | 0810 20214 | |
| OE Reference No | | SJ4112 - 3092329 | |
| Application | | D DUCO AXIAL, C DUCO , LE DUCO | |
| Description | | Caliper Roller Bearing Kit | |
| | Name | Qty. | |
| 1 | R12 | 2 | Roller Bearing |
| 2 | T128 | 2 | Pin |
| 3 | S25 | 2 | Lever Bearing |



| | | | |
|------------------------|------|---|----------------|
| ANDAC No | | 0810 20218 | |
| OE Reference No | | SJ4096 - MCK1398 - 85109975 3092258 - 21109753 | |
| Application | | D DUCO AXIAL | |
| Description | | Caliper Lever Repair Kit (Left) | |
| | Name | Qty. | |
| 1 | T230 | 1 | Lever |
| 2 | R12 | 2 | Roller Bearing |
| 3 | T128 | 2 | Pin |
| 4 | S25 | 2 | Lever Bearing |
| 5 | K30 | 1 | Eccentric Seal |



| | | | |
|------------------------|------|---|----------------|
| ANDAC No | | 0810 20219 | |
| OE Reference No | | SJ4097 - MCK1399 - 85109976 3092259 - 21109754 | |
| Application | | D DUCO AXIAL | |
| Description | | Caliper Lever Repair Kit (Right) | |
| | Name | Qty. | |
| 1 | T231 | 1 | Lever |
| 2 | R12 | 2 | Roller Bearing |
| 3 | T128 | 2 | Pin |
| 4 | S25 | 2 | Lever Bearing |
| 5 | K30 | 1 | Eccentric Seal |



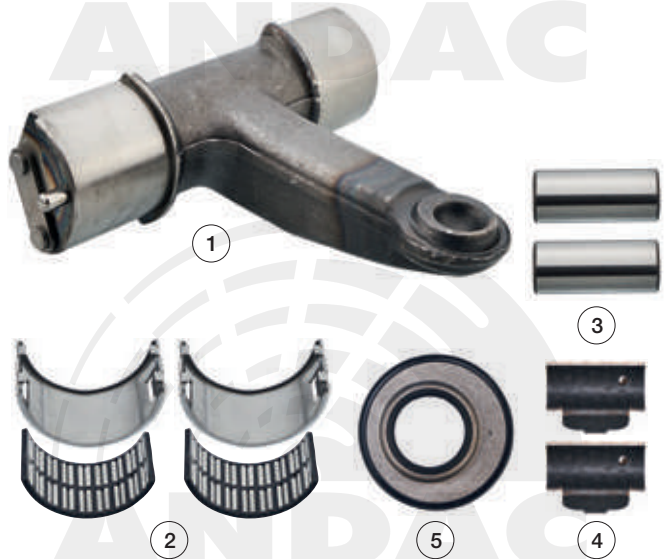
| | | |
|------------------------|-----------------------------|-----------------|
| ANDAC No | 0810 20220 | |
| OE Reference No | | |
| Application | D DUCO AXIAL | |
| Description | Caliper Lever (Left) | |
| | Name | Qty. |
| 1 | T230 | 1 Lever |
| 2 | S25 | 2 Lever Bearing |
| 3 | T128 | 2 Pin |
| | | |
| | | |
| | | |
| | | |
| | | |
| | | |



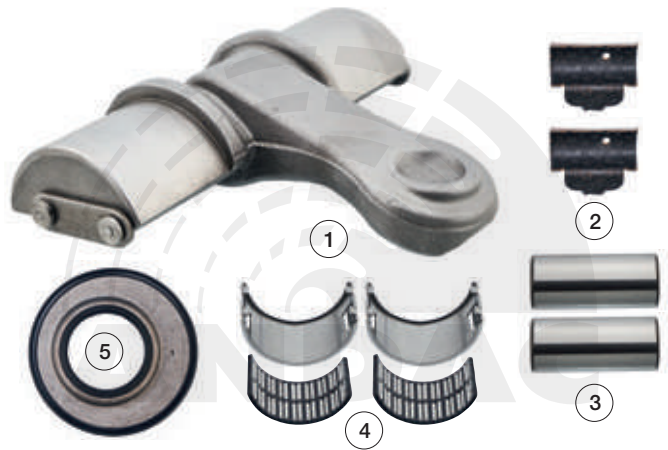
| | | |
|------------------------|------------------------------|-----------------|
| ANDAC No | 0810 20221 | |
| OE Reference No | | |
| Application | D DUCO AXIAL | |
| Description | Caliper Lever (Right) | |
| | Name | Qty. |
| 1 | T231 | 1 Lever |
| 2 | S25 | 2 Lever Bearing |
| 3 | T128 | 2 Pin |
| | | |
| | | |
| | | |
| | | |
| | | |



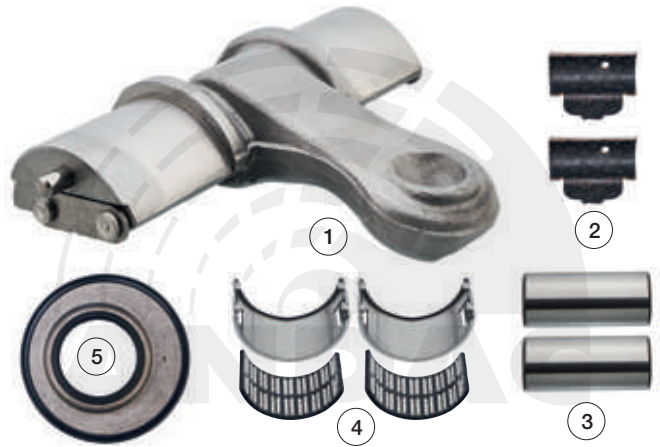
| | | |
|------------------------|---|------------------|
| ANDAC No | 0810 20224 | |
| OE Reference No | SJ4108 - 21109755 3092260 - 85109977 | |
| Application | D DUCO RADIAL | |
| Description | Caliper Lever Repair Kit (Left - Right) | |
| | Name | Qty. |
| 1 | T234 | 1 Lever |
| 2 | R12 | 2 Roller Bearing |
| 3 | T128 | 2 Pin |
| 4 | S29 | 2 Lever Bearing |
| 5 | K30 | 1 Eccentric Seal |
| | | |
| | | |
| | | |
| | | |
| | | |



| | | |
|------------------------|---------------------------------|------------------|
| ANDAC No | 0810 20401 | |
| OE Reference No | MCK1127 - 85102097 | |
| Application | C DUCO, LE DUCO | |
| Description | Caliper Lever Repair Kit (Left) | |
| | Name | Qty. |
| 1 | T372 | 1 Lever |
| 2 | S25 | 2 Lever Bearing |
| 3 | T128 | 2 Pin |
| 4 | R12 | 2 Roller Bearing |
| 5 | K30 | 1 Eccentric Seal |



| | | |
|------------------------|----------------------------------|------------------|
| ANDAC No | 0810 20411 | |
| OE Reference No | MCK1128 - 85102098 | |
| Application | C DUCO, LE DUCO | |
| Description | Caliper Lever Repair Kit (Right) | |
| | Name | Qty. |
| 1 | T388 | 1 Lever |
| 2 | S25 | 2 Lever Bearing |
| 3 | T128 | 2 Pin |
| 4 | R12 | 2 Roller Bearing |
| 5 | K30 | 1 Eccentric Seal |



| | | |
|------------------------|---------------------------------|-------------|
| ANDAC No | 0810 20341 | |
| OE Reference No | SJ4053 | |
| Application | B DUCO, C DUCO, D DUCO, LE DUCO | |
| Description | Caliper Boot | |
| | Name | Qty. |
| 1 | K24 | 2 Boot |



| | | |
|------------------------|---|--------------|
| ANDAC No | 0810 20229 | |
| OE Reference No | MCK1139 - 85107913 - 81508026024 - 68324854 | |
| Application | B DUCO, C DUCO, D DUCO, LE DUCO | |
| Description | Caliper Dust Cover | |
| | Name | Qty. |
| 1 | K23 | 2 Dust Cover |

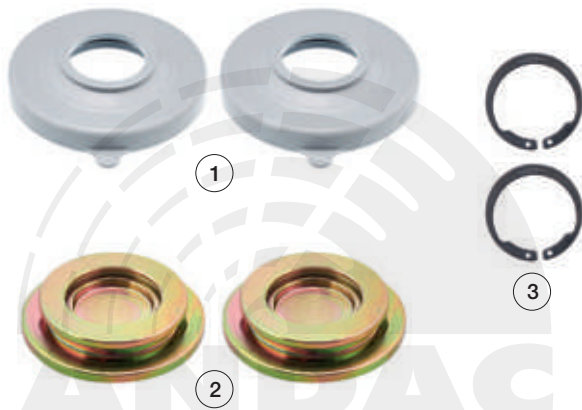


MERITOR DUCO

| | | | |
|------------------------|------|---------------------------------|------------|
| ANDAC No | | 0810 20365 | |
| OE Reference No | | 68324854PK10 | |
| Application | | B DUCO, C DUCO, D DUCO, LE DUCO | |
| Description | | Caliper Dust Cover | |
| | Name | Qty. | |
| 1 | K23 | 10 | Dust Cover |



| | | | |
|------------------------|------|---------------------------------|------------|
| ANDAC No | | 0810 20231 | |
| OE Reference No | | MCK1238 - 3092264 | |
| Application | | B DUCO, C DUCO, D DUCO, LE DUCO | |
| Description | | Caliper Repair Kit | |
| | Name | Qty. | |
| 1 | K23 | 2 | Dust Cover |
| 2 | T36 | 2 | Tappet |
| 3 | SK1 | 2 | Snap Ring |



| | | | |
|------------------------|------|---------------------------------|-----------|
| ANDAC No | | 0810 20356 | |
| OE Reference No | | | |
| Application | | B DUCO, C DUCO, D DUCO, LE DUCO | |
| Description | | Caliper Tappet Repair Kit | |
| | Name | Qty. | |
| 1 | T36 | 2 | Tappet |
| 2 | SK1 | 2 | Snap Ring |



| | | | |
|------------------------|------|----------------------------|---------------------|
| ANDAC No | | 0810 20234 | |
| OE Reference No | | MCK1118 - 85102092 | |
| Application | | D DUCO RADIAL | |
| Description | | Caliper Repair Kit (Front) | |
| | Name | Qty. | |
| 1 | T34 | 2 | Guide Pin Ø35x102mm |
| 2 | C9 | 2 | Screw M20x2x125mm |
| 3 | P4 | 1 | Bush (Plastic) |
| 4 | K24 | 2 | Boot |
| 5 | S11 | 2 | Ring |
| 6 | S3 | 2 | Metal Tap |
| 7 | B4 | 2 | Bush |



| | | | |
|------------------------|--|-------------|---------------------|
| ANDAC No | 0810 20235 | | |
| OE Reference No | MCK1116 - 85102094 | | |
| Application | B DUCO, C DUCO, D DUCO, LE DUCO | | |
| Description | Caliper Repair Kit (Rear) | | |
| | Name | Qty. | |
| 1 | T34 | 1 | Guide Pin Ø35x102mm |
| 2 | C9 | 1 | Screw M20x2x125mm |
| 3 | T35 | 1 | Guide Pin Ø35x60mm |
| 4 | C11 | 1 | Screw M20x2x80mm |
| 5 | K24 | 2 | Boot |
| 6 | S11 | 2 | Ring |
| 7 | S3 | 2 | Metal Tap |
| 8 | P4 | 1 | Bush (Plastic) |
| 9 | B4 | 1 | Bush |



| | | | |
|------------------------|------------------------------------|-------------|---------------------|
| ANDAC No | 0810 20236 | | |
| OE Reference No | MCK1135 - 85103891 - SJ4107 | | |
| Application | D DUCO RADIAL | | |
| Description | Caliper Repair Kit | | |
| | Name | Qty. | |
| 1 | T34 | 2 | Guide Pin Ø35x102mm |
| 2 | C9 | 2 | Screw M20x2x125mm |
| 3 | P22 | 2 | Bush (Plastic) |
| 4 | K24 | 2 | Boot |
| 5 | S3 | 2 | Metal Tap |
| 6 | S11 | 2 | Ring |
| 7 | B4 | 2 | Bush |



| | | | |
|------------------------|--|-------------|---------------------|
| ANDAC No | 0810 20237 | | |
| OE Reference No | MCK1134 - 85103892 - SJ4094 | | |
| Application | B DUCO, C DUCO, D DUCO, LE DUCO | | |
| Description | Caliper Repair Kit | | |
| | Name | Qty. | |
| 1 | T34 | 1 | Guide Pin Ø35x102mm |
| 2 | C9 | 1 | Screw M20x2x125mm |
| 3 | T35 | 1 | Guide Pin Ø35x60mm |
| 4 | C11 | 1 | Screw M20x2x80mm |
| 5 | P22 | 2 | Bush (Plastic) |
| 6 | K24 | 2 | Boot |
| 7 | S3 | 2 | Metal Tap |
| 8 | S11 | 2 | Ring |
| 9 | B4 | 1 | Bush |



| | | | |
|------------------------|-------------|--|---------------------|
| ANDAC No | | 0810 20948 | |
| OE Reference No | | MCK 1116 | |
| Application | | B DUCO, C DUCO, D DUCO, LE DUCO | |
| Description | | Caliper Repair Kit (Rear) | |
| | Name | Qty. | |
| 1 | T34 | 1 | Guide Pin Ø35x102mm |
| 2 | C9 | 1 | Screw M20x2x125mm |
| 3 | T35 | 1 | Guide Pin Ø35x60mm |
| 4 | C11 | 1 | Screw M20x2x80mm |
| 5 | K24 | 2 | Boot |
| 6 | S11 | 2 | Ring |
| 7 | S3 | 2 | Metal Tap |
| 8 | B51 | 1 | Bush (Brass) |
| 9 | B3 | 1 | Bush |



| | | | |
|------------------------|-------------|-----------------------------------|---------------------|
| ANDAC No | | 0810 20898 | |
| OE Reference No | | MCK1118 - 85102092 | |
| Application | | D DUCO RADIAL | |
| Description | | Caliper Repair Kit (Front) | |
| | Name | Qty. | |
| 1 | T34 | 2 | Guide Pin Ø35x102mm |
| 2 | C9 | 2 | Screw M20x2x125mm |
| 3 | B51 | 1 | Bush (Brass) |
| 4 | K24 | 2 | Boot |
| 5 | S11 | 2 | Ring |
| 6 | S3 | 2 | Metal Tap |
| 7 | B3 | 2 | Bush |



| | | | |
|------------------------|-------------|--|---------------------|
| ANDAC No | | 0810 20254 | |
| OE Reference No | | MCK1299 - 3095628 - 85107718 | |
| Application | | B DUCO, C DUCO, D DUCO, LE DUCO | |
| Description | | Caliper Repair Kit | |
| | Name | Qty. | |
| 1 | T34 | 1 | Guide Pin Ø35x102mm |
| 2 | C9 | 2 | Screw M20x2x125mm |
| 3 | K24 | 2 | Boot |
| 4 | S3 | 2 | Metal Tap |
| 5 | C11 | 1 | Screw M20x2x80mm |

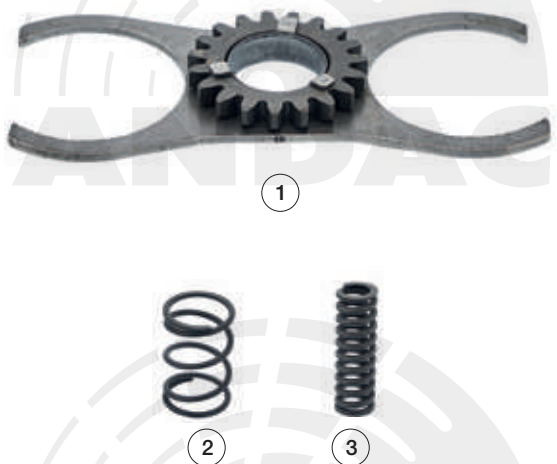


MERITOR DUCO

| | | | |
|------------------------|-------------|-------------------------------------|-------------------|
| ANDAC No | | 0810 20259 | |
| OE Reference No | | | |
| Application | | D DUCO | |
| Description | | Caliper Gear and Springs Kit | |
| | Name | Qty. | |
| 1 | S23 | 1 | Center Gear Sheet |
| 2 | Y4 | 1 | Spring Ø4x55mm |
| 3 | Y5 | 1 | Spring Ø6x61mm |



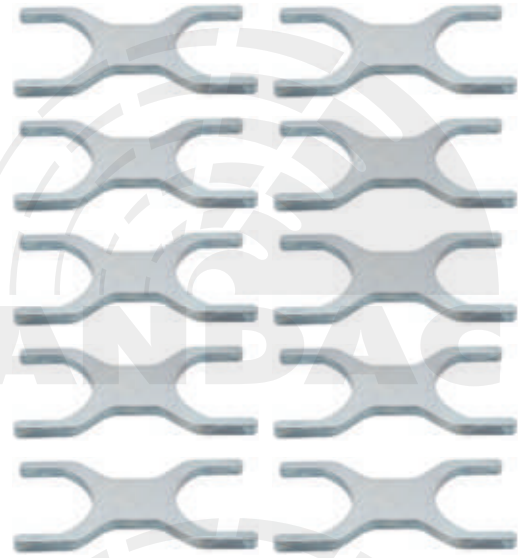
| | | | |
|------------------------|-------------|-----------------------------------|----------------------------|
| ANDAC No | | 0810 20260 | |
| OE Reference No | | MCK1129 - 85102099 | |
| Application | | C DUCO, LE DUCO | |
| Description | | Caliper Repair Kit (Front) | |
| | Name | Qty. | |
| 1 | S85 | 1 | Center Gear Sheet |
| 2 | Y40 | 1 | Center Gear Spring (Big) |
| 3 | Y41 | 1 | Center Gear Spring (Small) |



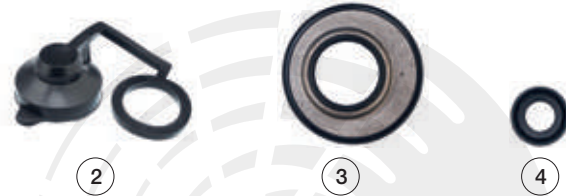
| | | | |
|------------------------|-------------|-----------------------------|-------------------|
| ANDAC No | | 0810 20261 | |
| OE Reference No | | 68322900PK10 | |
| Application | | B DUCO, D DUCO | |
| Description | | Caliper Locking Shim | |
| | Name | Qty. | |
| 1 | S84 | 10 | Anti-Rotation Pad |



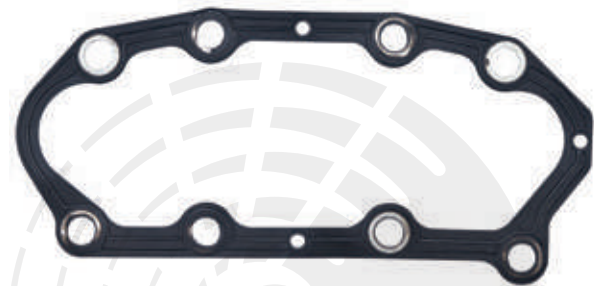
| | | | |
|------------------------|-------------|-------------------------------|---------------------|
| ANDAC No | | 0810 20467 | |
| OE Reference No | | 68322485PK10 | |
| Application | | C DUCO, LE DUCO | |
| Description | | Caliper Anti Rotation Pad Kit | |
| | Name | Qty. | |
| 1 | S176 | 10 | Anti Rotation Plate |
| | | | |
| | | | |
| | | | |
| | | | |
| | | | |
| | | | |
| | | | |
| | | | |
| | | | |



| | | | |
|------------------------|-------------|--------------------------------|----------------|
| ANDAC No | | 0810 20270 | |
| OE Reference No | | SJ4109 - 3092270 | |
| Application | | D DUCO RADIAL | |
| Description | | Caliper Cover Plate Gasket Kit | |
| | Name | Qty. | |
| 1 | K27 | 1 | Gasket |
| 2 | K26 | 1 | Dust Cover |
| 3 | K30 | 1 | Eccentric Seal |
| 4 | K31 | 1 | Seal |
| | | | |
| | | | |
| | | | |
| | | | |
| | | | |
| | | | |
| | | | |
| | | | |



| | | | |
|------------------------|-------------|----------------------------|--------|
| ANDAC No | | 0810 20271 | |
| OE Reference No | | | |
| Application | | D DUCO RADIAL | |
| Description | | Caliper Cover Plate Gasket | |
| | Name | Qty. | |
| 1 | K27 | 1 | Gasket |
| | | | |
| | | | |
| | | | |
| | | | |
| | | | |
| | | | |
| | | | |
| | | | |
| | | | |



| | | | |
|------------------------|-------------|--------------------------------|----------------|
| ANDAC No | | 0810 20272 | |
| OE Reference No | | MCK1041 - 3095669 | |
| Application | | C DUCO, LE DUCO | |
| Description | | Caliper Cover Plate Gasket Kit | |
| | Name | Qty. | |
| 1 | K28 | 1 | Gasket |
| 2 | K25 | 1 | Dust Cover |
| 3 | K30 | 1 | Eccentric Seal |
| 4 | K31 | 1 | Seal |



| | | | |
|------------------------|-------------|----------------------------|--------|
| ANDAC No | | 0810 20273 | |
| OE Reference No | | | |
| Application | | B DUCO, C DUCO, LE DUCO | |
| Description | | Caliper Cover Plate Gasket | |
| | Name | Qty. | |
| 1 | K28 | 1 | Gasket |



| | | | |
|------------------------|-------------|--------------------------------|----------------|
| ANDAC No | | 0810 20274 | |
| OE Reference No | | SJ4105 - 3092269 | |
| Application | | D DUCO AXIAL | |
| Description | | Caliper Cover Plate Gasket Kit | |
| | Name | Qty. | |
| 1 | K29 | 1 | Gasket |
| 2 | K25 | 1 | Dust Cover |
| 3 | K30 | 1 | Eccentric Seal |
| 4 | K31 | 1 | Seal |



| | | | |
|------------------------|-------------|---------------------------------|--------------|
| ANDAC No | | 0810 20347 | |
| OE Reference No | | 68322563 | |
| Application | | B DUCO, C DUCO, D DUCO, LE DUCO | |
| Description | | Caliper Mechanism Gear (Right) | |
| | Name | Qty. | |
| 1 | P43 | 1 | Plastic Gear |
| | | | |
| | | | |
| | | | |
| | | | |
| | | | |
| | | | |
| | | | |
| | | | |
| | | | |

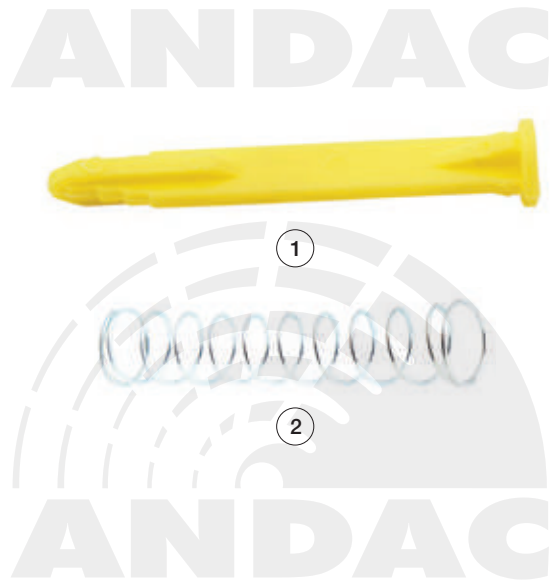


MERITOR DUCO

| | | | |
|------------------------|-------------|---------------------------------|---------------------|
| ANDAC No | | 0810 20340 | |
| OE Reference No | | MCK1352- MST1504 | |
| Application | | B DUCO, C DUCO, D DUCO, LE DUCO | |
| Description | | Caliper Adaptor Plug | |
| | Name | Qty. | |
| 1 | P44 | 1 | Plasitc Plug |
| 2 | S120 | 1 | Plug Sheet |
| 3 | C52 | 1 | Screw M10x1.25x16mm |
| 4 | C23 | 1 | Screw M8x1.25x15mm |
| 5 | K31 | 1 | Seal |
| 6 | K120 | 2 | O-Ring |
| | | | |
| | | | |
| | | | |
| | | | |
| | | | |
| | | | |
| | | | |



| | | | |
|------------------------|-------------|---------------------------------|--------|
| ANDAC No | | 0810 20288 | |
| OE Reference No | | SJ4111 - 3092283 | |
| Application | | B DUCO, C DUCO, D DUCO, LE DUCO | |
| Description | | Caliper Pad Wear Assembly | |
| | Name | Qty. | |
| 1 | P25 | 1 | Pin |
| 2 | Y39 | 1 | Spring |
| | | | |
| | | | |
| | | | |
| | | | |
| | | | |
| | | | |
| | | | |
| | | | |

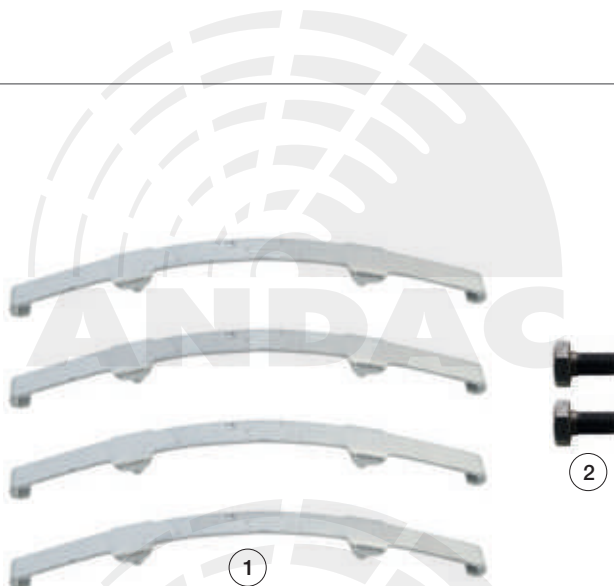


MERITOR DUCO

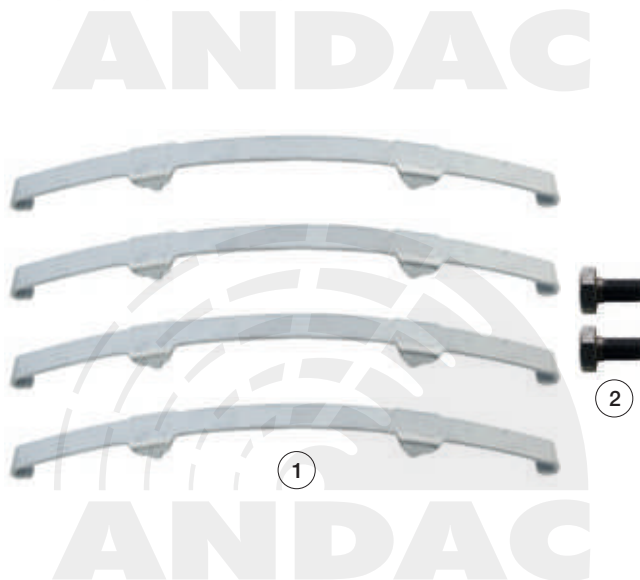
| | | | |
|------------------------|-------------|-------------------------|---------------------|
| ANDAC No | | 0810 20294 | |
| OE Reference No | | MCK1264 | |
| Application | | C DUCO, D DUCO, LE DUCO | |
| Description | | Caliper Pad Retainer | |
| | Name | Qty. | |
| 1 | S83 | 1 | Pad Retainer |
| 2 | C17 | 1 | Screw M10x1,25x20mm |



| | | | |
|------------------------|-------------|---|--------------------------------------|
| ANDAC No | | 0810 20489 | |
| OE Reference No | | WVA 29125 - 20768092 - 3095396 - MBA104 | |
| Application | | D DUCO | |
| Description | | Caliper Pad Retention Kit | |
| | Name | Qty. | |
| 1 | S204 | 4 | Retention Spring - Clamp size 10,3mm |
| 2 | C17 | 2 | Screw M10x1,25x20mm |



| | | | |
|------------------------|-------------|---------------------------|---------------------|
| ANDAC No | | 0810 20499 | |
| OE Reference No | | MBA103 | |
| Application | | C DUCO | |
| Description | | Caliper Pad Retention Kit | |
| | Name | Qty. | |
| 1 | S217 | 4 | Retention Spring |
| 2 | C17 | 2 | Screw M10x1,25x20mm |



| | | | |
|------------------------|-------------|--|--------------|
| ANDAC No | | 0810 20597 | |
| OE Reference No | | | |
| Application | | B DUCO, C DUCO, D DUCO, LE DUCO | |
| Description | | Caliper Adaptor Plug | |
| | Name | Qty. | |
| 1 | P111 | 5 | Plasitc Plug |
| | | | |
| | | | |
| | | | |
| | | | |
| | | | |
| | | | |
| | | | |



| | | | |
|------------------------|-------------|--|--------------------|
| ANDAC No | | 0810 20596 | |
| OE Reference No | | | |
| Application | | B DUCO, C DUCO, D DUCO, LE DUCO | |
| Description | | Caliper Sensor Plug | |
| | Name | Qty. | |
| 1 | K202 | 5 | Rubber Sensor Plug |
| | | | |
| | | | |
| | | | |
| | | | |
| | | | |
| | | | |
| | | | |



MERITOR
DUCO

MERITOR
ELSA2



MERITOR
ELSA2

ANDAC No 0810 20308

OE Reference No

Application ELSA 2

Description Caliper Complete Overhaul Repair Kit (Left)

| | Name | Qty. | |
|----|------|------|--------------------------------|
| 1 | T259 | 1 | Calibration Mechanism Complete |
| 2 | K34 | 1 | Gasket |
| 3 | C28 | 8 | Screw M8x1,25x45mm |
| 4 | K23 | 2 | Dust Cover |
| 5 | T68 | 1 | Adjusting Gear |
| 6 | Y15 | 1 | Spring |
| 7 | K31 | 1 | Seal |
| 8 | T69 | 2 | Bearing Cap |
| 9 | R12 | 2 | Roller Bearing |
| 10 | T70 | 1 | Lever |
| 11 | S25 | 2 | Lever Bearing |
| 12 | T128 | 2 | Pin |
| 13 | T59 | 1 | Guide Pin Ø35x144mm |
| 14 | C12 | 1 | Screw M18x1,5x150mm |
| 15 | T60 | 1 | Guide Pin Ø31x84mm |
| 16 | C13 | 1 | Screw M18x1,5x90mm |
| 17 | K24 | 2 | Boot |
| 18 | S7 | 2 | Metal Tap |
| 19 | T49 | 2 | Ring |
| 20 | B3 | 2 | Bush |
| 21 | B8 | 1 | Bush |
| 22 | C17 | 1 | Screw M10x1,25x20mm |
| 23 | C14 | 4 | Screw M16x1,5x40mm |
| 24 | K25 | 1 | Dust Cover |
| 25 | K86 | 1 | Seal |

MERITOR
ELSA2



| | |
|-----------------|-------------------|
| ANDAC No | 0810 20309 |
|-----------------|-------------------|

| | |
|------------------------|--|
| OE Reference No | |
|------------------------|--|

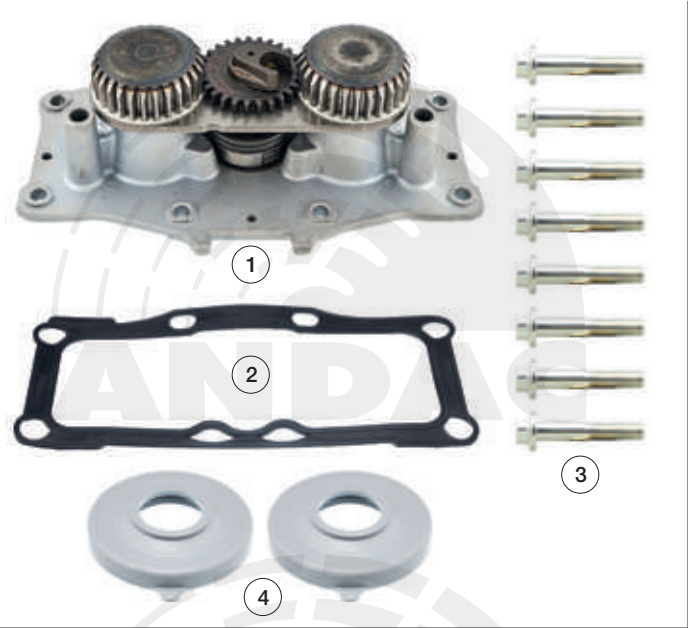
| | |
|--------------------|---------------|
| Application | ELSA 2 |
|--------------------|---------------|

| | |
|--------------------|---|
| Description | Caliper Complete Overhaul Repair Kit (Right) |
|--------------------|---|

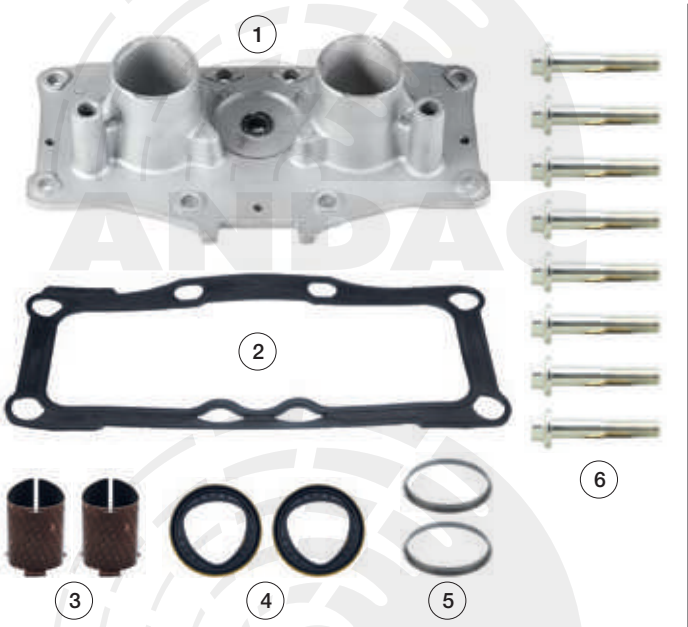
| | Name | Qty. | |
|----|------|------|--------------------------------|
| 1 | T259 | 1 | Calibration Mechanism Complete |
| 2 | K34 | 1 | Gasket |
| 3 | C28 | 8 | Screw M8x1,25x45mm |
| 4 | K23 | 2 | Dust Cover |
| 5 | T67 | 1 | Adjusting Gear |
| 6 | Y15 | 1 | Spring |
| 7 | K31 | 1 | Seal |
| 8 | T69 | 2 | Bearing Cap |
| 9 | R12 | 2 | Roller Bearing |
| 10 | T70 | 1 | Lever |
| 11 | S25 | 2 | Lever Bearing |
| 12 | T128 | 2 | Pin |
| 13 | T59 | 1 | Guide Pin Ø35x144mm |
| 14 | C12 | 1 | Screw M18x1,5x150mm |
| 15 | T60 | 1 | Guide Pin Ø31x84mm |
| 16 | C13 | 1 | Screw M18x1,5x90mm |
| 17 | K24 | 2 | Boot |
| 18 | S7 | 2 | Metal Tap |
| 19 | T49 | 2 | Ring |
| 20 | B3 | 2 | Bush |
| 21 | B8 | 1 | Bush |
| 22 | C17 | 1 | Screw M10x1,25x20mm |
| 23 | C14 | 4 | Screw M16x1,5x40mm |
| 24 | K25 | 1 | Dust Cover |
| 25 | K86 | 1 | Seal |



| | | |
|------------------------|--------------------------------|--------------------------------|
| ANDAC No | 0810 20141 | |
| OE Reference No | | |
| Application | ELSA 2 | |
| Description | Calibration Mechanism Complete | |
| Name | Qty. | |
| 1 T259 | 1 | Calibration Mechanism Complete |
| 2 K34 | 1 | Gasket |
| 3 C28 | 8 | Screw M8x1,25x45mm |
| 4 K23 | 2 | Dust Cover |
| | | |
| | | |
| | | |
| | | |
| | | |



| | | |
|------------------------|---|----------------------|
| ANDAC No | 0810 20459 | |
| OE Reference No | | |
| Application | ELSA 2 | |
| Description | Caliper Calibration Mechanism (Aluminium) | |
| Name | Qty. | |
| 1 T591 | 1 | Aluminium Cap (Bush) |
| 2 K34 | 1 | Gasket |
| 3 S31 | 2 | Bush |
| 4 K51 | 2 | Triangle Seal |
| 5 S32 | 2 | Ring |
| 6 C28 | 8 | Screw M8x1,25x45mm |
| | | |
| | | |
| | | |
| | | |



| | | |
|------------------------|---|------------------------------|
| ANDAC No | 0810 20142 | |
| OE Reference No | 68324625 | |
| Application | ELSA 2 | |
| Description | Caliper Calibration Mechanism (Aluminium) | |
| Name | Qty. | |
| 1 T65 | 1 | Aluminium Cap (Ball Bearing) |
| 2 K34 | 1 | Gasket |
| 3 S31 | 2 | Bush |
| 4 K51 | 2 | Triangle Seal |
| 5 S32 | 2 | Ring |
| 6 C28 | 8 | Screw M8x1,25x45mm |
| | | |
| | | |
| | | |
| | | |



MERITOR ELSA2

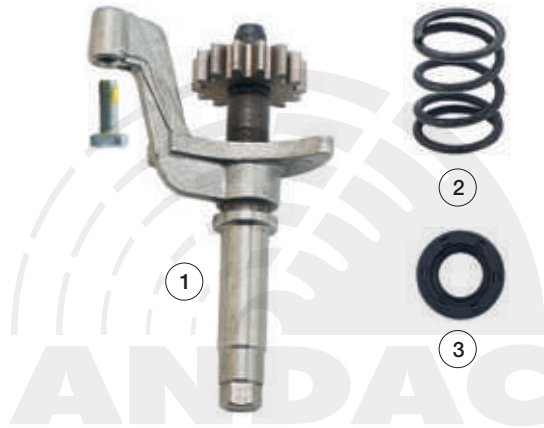
| | | | |
|------------------------|-------------|--------------------------|-------------------------------|
| ANDAC No | | 0810 20145 | |
| OE Reference No | | | |
| Application | | ELSA 2 | |
| Description | | Caliper Calibration Gear | |
| | Name | Qty. | |
| 1 | T64 | 2 | Brake Lining Calibration Gear |
| | | | |
| | | | |



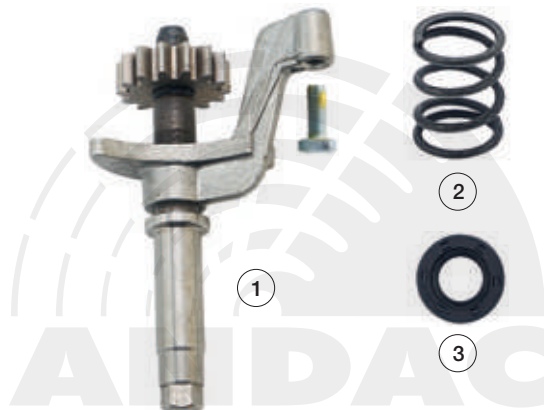
| | | | |
|------------------------|-------------|-----------------------------|---------------------|
| ANDAC No | | 0810 20146 | |
| OE Reference No | | | |
| Application | | ELSA 2 | |
| Description | | Caliper Adjusting Mechanism | |
| | Name | Qty. | |
| 1 | T63 | 1 | Adjusting Mechanism |
| | | | |
| | | | |



| | | | |
|------------------------|-------------|-------------------------------|----------------|
| ANDAC No | | 0810 20147 | |
| OE Reference No | | | |
| Application | | ELSA 2 | |
| Description | | Caliper Adjusting Gear (Left) | |
| | Name | Qty. | |
| 1 | T68 | 1 | Adjusting Gear |
| 2 | Y15 | 1 | Spring |
| 3 | K31 | 1 | Seal |
| | | | |
| | | | |



| | | | |
|------------------------|-------------|--------------------------------|----------------|
| ANDAC No | | 0810 20148 | |
| OE Reference No | | | |
| Application | | ELSA 2 | |
| Description | | Caliper Adjusting Gear (Right) | |
| | Name | Qty. | |
| 1 | T67 | 1 | Adjusting Gear |
| 2 | Y15 | 1 | Spring |
| 3 | K31 | 1 | Seal |
| | | | |
| | | | |



| | | |
|------------------------|-------------------------------|------------------|
| ANDAC No | 0810 20379 | |
| OE Reference No | | |
| Application | ELSA 2- RADIAL | |
| Description | Caliper Adjusting Gear (Left) | |
| | Name | Qty. |
| 1 | T344 | 1 Adjusting Gear |
| 2 | Y15 | 1 Spring |
| 3 | K31 | 1 Seal |



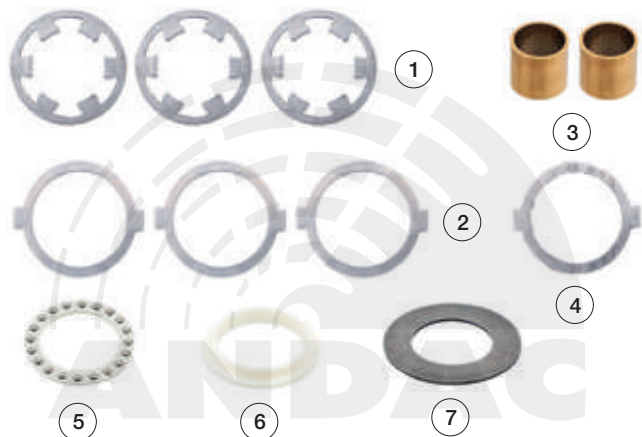
| | | |
|------------------------|--------------------------------|------------------|
| ANDAC No | 0810 20380 | |
| OE Reference No | | |
| Application | ELSA 2- RADIAL | |
| Description | Caliper Adjusting Gear (Right) | |
| | Name | Qty. |
| 1 | T345 | 1 Adjusting Gear |
| 2 | Y15 | 1 Spring |
| 3 | K31 | 1 Seal |



| | | |
|------------------------|--------------------|-----------------|
| ANDAC No | 0810 20150 | |
| OE Reference No | | |
| Application | ELSA 2 | |
| Description | Caliper Repair Kit | |
| | Name | Qty. |
| 1 | S31 | 2 Bush |
| 2 | K51 | 2 Triangle Seal |
| 3 | S32 | 2 Ring |



| | | |
|------------------------|------------------------------|------------------|
| ANDAC No | 0810 20151 | |
| OE Reference No | | |
| Application | ELSA 2 | |
| Description | Caliper Mechanism Repair Kit | |
| | Name | Qty. |
| 1 | S51 | 3 Metal Sheet |
| 2 | S52 | 3 Metal Sheet |
| 3 | B29 | 2 Bush |
| 4 | S53 | 1 Metal Sheet |
| 5 | P7 | 1 Ground Bearing |
| 6 | P8 | 1 Ring (Plastic) |
| 7 | S38 | 1 Washer |



MERITOR ELSA2

| | | | |
|-----------------|------|------------------------|------|
| ANDAC No | | 0810 20296 | |
| OE Reference No | | | |
| Application | | ELSA 2 | |
| Description | | Caliper Mechanism Ring | |
| | Name | Qty. | |
| 1 | P11 | 2 | Ring |
| | | | |
| | | | |



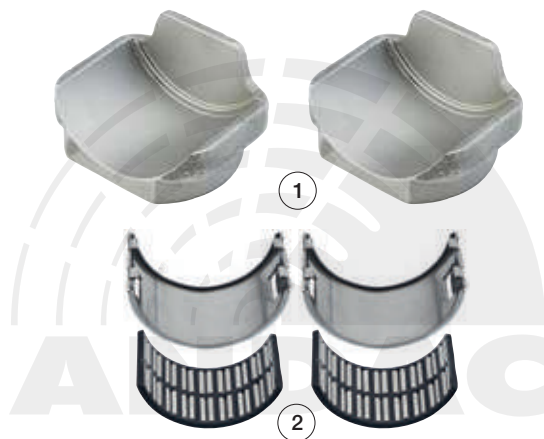
| | | | |
|-----------------|------|---------------------|-------------|
| ANDAC No | | 0810 20211 | |
| OE Reference No | | | |
| Application | | ELSA 2 | |
| Description | | Caliper Bearing Cap | |
| | Name | Qty. | |
| 1 | T69 | 2 | Bearing Cap |
| | | | |
| | | | |



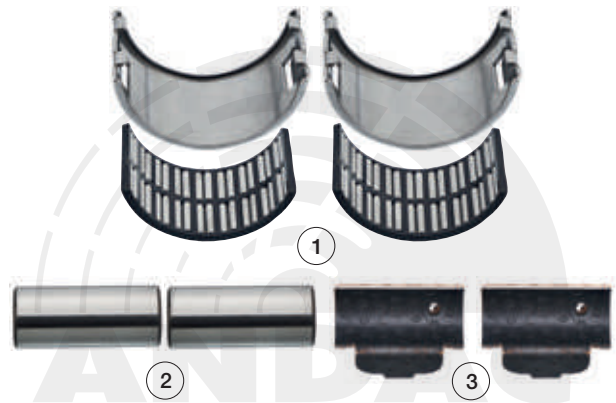
| | | | |
|-----------------|------|------------------------|----------------|
| ANDAC No | | 0810 20212 | |
| OE Reference No | | | |
| Application | | ELSA 2 | |
| Description | | Caliper Roller Bearing | |
| | Name | Qty. | |
| 1 | R12 | 2 | Roller Bearing |
| | | | |
| | | | |



| | | | |
|-----------------|------|----------------------------|----------------|
| ANDAC No | | 0810 20303 | |
| OE Reference No | | | |
| Application | | ELSA 2 | |
| Description | | Caliper Roller Bearing Kit | |
| | Name | Qty. | |
| 1 | T69 | 2 | Bearing Cap |
| 2 | R12 | 2 | Roller Bearing |
| | | | |
| | | | |



| | | | |
|------------------------|----------------------------|-------------|----------------|
| ANDAC No | 0810 20213 | | |
| OE Reference No | SJ4098 - 3092261 | | |
| Application | ELSA 2- RADIAL | | |
| Description | Caliper Roller Bearing Kit | | |
| | Name | Qty. | |
| 1 | R12 | 2 | Roller Bearing |
| 2 | T128 | 2 | Pin |
| 3 | S29 | 2 | Lever Bearing |



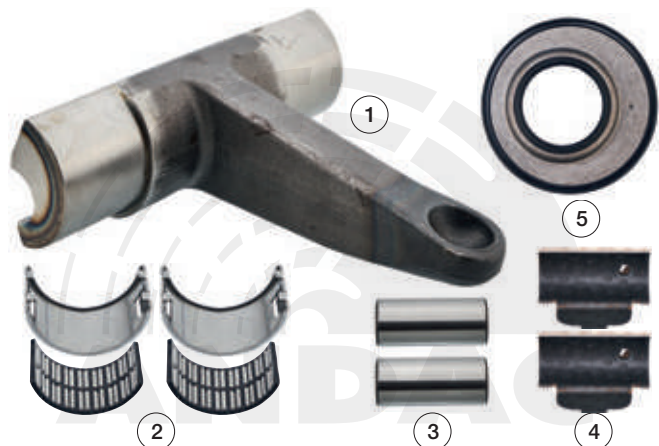
| | | | |
|------------------------|----------------------------|-------------|----------------|
| ANDAC No | 0810 20214 | | |
| OE Reference No | SJ4112 - 3092329 | | |
| Application | ELSA 2 | | |
| Description | Caliper Roller Bearing Kit | | |
| | Name | Qty. | |
| 1 | R12 | 2 | Roller Bearing |
| 2 | T128 | 2 | Pin |
| 3 | S25 | 2 | Lever Bearing |



| | | | |
|------------------------|------------------------------|-------------|---------------|
| ANDAC No | 0810 20215 | | |
| OE Reference No | | | |
| Application | ELSA 2 | | |
| Description | Caliper Lever (Left - Right) | | |
| | Name | Qty. | |
| 1 | T70 | 1 | Lever |
| 2 | S25 | 2 | Lever Bearing |
| 3 | T128 | 2 | Pin |



| | | | |
|------------------------|---|-------------|----------------|
| ANDAC No | 0810 20226 | | |
| OE Reference No | SJ4018 | | |
| Application | ELSA 2 - RADIAL | | |
| Description | Caliper Lever Repair Kit (Left - Right) | | |
| | Name | Qty. | |
| 1 | T235 | 1 | Lever |
| 2 | R12 | 2 | Roller Bearing |
| 3 | T128 | 2 | Pin |
| 4 | S29 | 2 | Lever Bearing |
| 5 | K30 | 1 | Eccentric Seal |



MERITOR ELSA2

| | | | |
|------------------------|-------------|------------------------------|---------------|
| ANDAC No | | 0810 20227 | |
| OE Reference No | | | |
| Application | | ELSA 2 - RADIAL | |
| Description | | Caliper Lever (Left - Right) | |
| | Name | Qty. | |
| 1 | T235 | 1 | Lever |
| 2 | S29 | 2 | Lever Bearing |
| 3 | T128 | 2 | Pin |



| | | | |
|------------------------|-------------|-------------------|------|
| ANDAC No | | 0810 20341 | |
| OE Reference No | | SJ4053 | |
| Application | | ELSA 2 | |
| Description | | Caliper Boot | |
| | Name | Qty. | |
| 1 | K24 | 2 | Boot |



| | | | |
|------------------------|-------------|---|------------|
| ANDAC No | | 0810 20229 | |
| OE Reference No | | MCK1139 - 85107913 - 81508026024 - 68324854 | |
| Application | | ELSA 2 | |
| Description | | Caliper Dust Cover | |
| | Name | Qty. | |
| 1 | K23 | 2 | Dust Cover |



| | | | |
|------------------------|-------------|--------------------|------------|
| ANDAC No | | 0810 20365 | |
| OE Reference No | | 68324854PK10 | |
| Application | | ELSA 2 | |
| Description | | Caliper Dust Cover | |
| | Name | Qty. | |
| 1 | K23 | 10 | Dust Cover |



| | | |
|------------------------|----------------------|---------------|
| ANDAC No | 0810 20232 | |
| OE Reference No | MCK1309 - 5001866398 | |
| Application | ELSA 2 | |
| Description | Caliper Repair Kit | |
| | Name | Qty. |
| 1 | T154 | 2 Tappet |
| 2 | S40 | 2 Piston Ring |
| 3 | K23 | 2 Dust Cover |



MERITOR
ELSA2

| | | |
|------------------------|---------------------------|---------------|
| ANDAC No | 0810 20233 | |
| OE Reference No | | |
| Application | ELSA 2 | |
| Description | Caliper Tappet Repair Kit | |
| | Name | Qty. |
| 1 | T154 | 2 Tappet |
| 2 | S40 | 2 Piston Ring |



| | | |
|------------------------|---|-----------------------|
| ANDAC No | 0810 20246 | |
| OE Reference No | MCK1243 - MCK1140 - 5001860791 - 85107912 - 81508026025 | |
| Application | ELSA 2 | |
| Description | Caliper Repair Kit | |
| | Name | Qty. |
| 1 | T59 | 1 Guide Pin Ø35x144mm |
| 2 | C12 | 1 Screw M18x1,5x150mm |
| 3 | T60 | 1 Guide Pin Ø31x84mm |
| 4 | C13 | 1 Screw M18x1,5x90mm |
| 5 | K24 | 2 Boot |
| 6 | S7 | 2 Metal Tap |
| 7 | T49 | 2 Ring |
| 8 | B3 | 2 Bush |
| 9 | B8 | 1 Bush |
| 10 | C17 | 1 Screw M10x1,25x20mm |
| 11 | C14 | 4 Screw M16x1,5x40mm |



MERITOR ELSA2

| ANDAC No | | 0810 20313 | |
|-----------------|------|--------------------|---------------|
| OE Reference No | | MCK1289 | |
| Application | | ELSA 2 | |
| Description | | Caliper Repair Kit | |
| Name | Qty. | | |
| 1 T59 | 1 | Guide Pin | Ø35x144mm |
| 2 C12 | 1 | Screw | M18x1,5x150mm |
| 3 T60 | 1 | Guide Pin | Ø31x84mm |
| 4 C13 | 1 | Screw | M18x1,5x90mm |
| 5 K24 | 2 | Boot | |
| 6 S7 | 2 | Metal Tap | |
| 7 T49 | 1 | Ring | |
| 8 B3 | 2 | Bush | |
| 9 T425 | 1 | Bush | |
| 10 C14 | 4 | Screw | M16x1,5x40mm |



| ANDAC No | | 0810 20329 | |
|-----------------|------|--------------------|---------------|
| OE Reference No | | | |
| Application | | ELSA 2 | |
| Description | | Caliper Repair Kit | |
| Name | Qty. | | |
| 1 T59 | 1 | Guide Pin | Ø35x144mm |
| 2 T60 | 1 | Guide Pin | Ø31x84mm |
| 3 C12 | 1 | Screw | M18x1,5x150mm |
| 4 C13 | 1 | Screw | M18x1,5x90mm |
| 5 C14 | 4 | Screw | M16x1,5x40mm |
| 6 K23 | 2 | Dust Cover | |
| 7 K24 | 2 | Boot | |
| 8 S7 | 2 | Metal Tap | |
| 9 T49 | 1 | Ring | |
| 10 B3 | 2 | Bush | |
| 11 T425 | 1 | Bush | |



| ANDAC No | | 0810 20325 | |
|-----------------|------|--------------------|---------------|
| OE Reference No | | | |
| Application | | ELSA 2 | |
| Description | | Caliper Repair Kit | |
| Name | Qty. | | |
| 1 T172 | 1 | Guide Pin | Ø35x128mm |
| 2 C5 | 1 | Screw | M20x1,5x150mm |
| 3 T171 | 1 | Guide Pin | Ø33/35x66mm |
| 4 C6 | 1 | Screw | M20x1,5x90mm |
| 5 S49 | 2 | Metal Ring | |
| 6 C17 | 1 | Screw | M10x1,25x20mm |
| 7 K24 | 2 | Boot | |
| 8 S7 | 2 | Metal Tap | |
| 9 C14 | 4 | Screw | M16x1,5x40mm |
| 10 B3 | 3 | Bush | |
| 11 K23 | 2 | Dust Cover | |



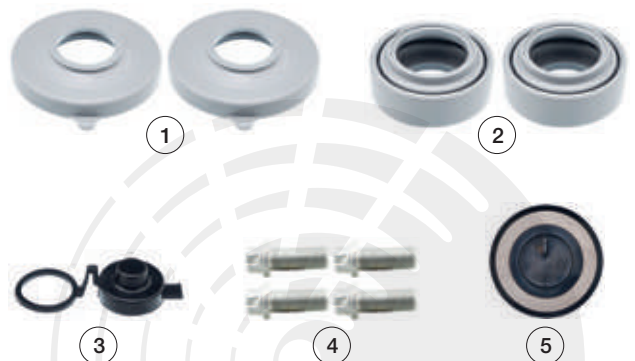
| | | |
|------------------------|-----------------------------|-----------------------|
| ANDAC No | 0810 20247 | |
| OE Reference No | MCK1086 - 5001858717 | |
| Application | ELSA 2 | |
| Description | Caliper Repair Kit | |
| Name | Qty. | |
| 1 T172 | 1 | Guide Pin Ø35x128mm |
| 2 C5 | 1 | Screw M20x1,5x150mm |
| 3 T171 | 1 | Guide Pin Ø33/35x66mm |
| 4 C6 | 1 | Screw M20x1,5x 90mm |
| 5 S49 | 2 | Metal Ring |
| 6 C17 | 1 | Screw M10x1,25x20mm |
| 7 K24 | 2 | Boot |
| 8 S7 | 2 | Metal Tap |
| 9 C14 | 4 | Screw M16x1,5x40mm |
| 10 B3 | 3 | Bush |



| | | |
|------------------------|-----------------------------|--------------------|
| ANDAC No | 0810 20253 | |
| OE Reference No | MCK1244 - 5001860792 | |
| Application | ELSA 2 | |
| Description | Caliper Repair Kit | |
| Name | Qty. | |
| 1 K23 | 2 | Caliper Repair Kit |
| 2 K24 | 2 | Dust Cover |
| 3 K25 | 1 | Boot |
| 4 S7 | 2 | Dust Cover |
| 5 C14 | 4 | Metal Tap |
| 6 K86 | 1 | Screw M16x1,5x40mm |



| | | |
|------------------------|---------------------------|--------------------|
| ANDAC No | 0810 20358 | |
| OE Reference No | 5001858718 | |
| Application | ELSA 2 | |
| Description | Caliper Repair Kit | |
| Name | Qty. | |
| 1 K23 | 2 | Dust Cover |
| 2 K24 | 2 | Boot |
| 3 K25 | 1 | Dust Cover |
| 4 C14 | 4 | Screw M16x1,5x40mm |
| 5 K86 | 1 | Seal |



MERITOR ELSA2

| | | | |
|------------------------|--------------------|------|------------|
| ANDAC No | 0810 20258 | | |
| OE Reference No | MCK1088 | | |
| Application | ELSA 2 | | |
| Description | Caliper Repair Kit | | |
| | Name | Qty. | |
| 1 | K23 | 2 | Dust Cover |
| 2 | K24 | 2 | Boot |
| 3 | K25 | 1 | Dust Cover |
| 4 | K86 | 1 | Seal |



| | | | |
|------------------------|--------------------|------|---------------------|
| ANDAC No | 0810 20366 | | |
| OE Reference No | MCK1087 | | |
| Application | ELSA 2 | | |
| Description | Caliper Repair Kit | | |
| | Name | Qty. | |
| 1 | C49 | 4 | Screw M14x1,5x40mm |
| 2 | K24 | 2 | Boot |
| 3 | S26 | 2 | Metal Tap (44x26mm) |
| 4 | C17 | 1 | Screw M10x1,25x20mm |



| | | | |
|------------------------|--------------------|------|-----------|
| ANDAC No | 0810 20304 | | |
| OE Reference No | KIT225221 - 225221 | | |
| Application | ELSA 2 | | |
| Description | Caliper Repair Kit | | |
| | Name | Qty. | |
| 1 | B8 | 1 | Bush |
| 2 | B3 | 2 | Bush |
| 3 | S7 | 2 | Metal Tap |
| 4 | S11 | 2 | Ring |

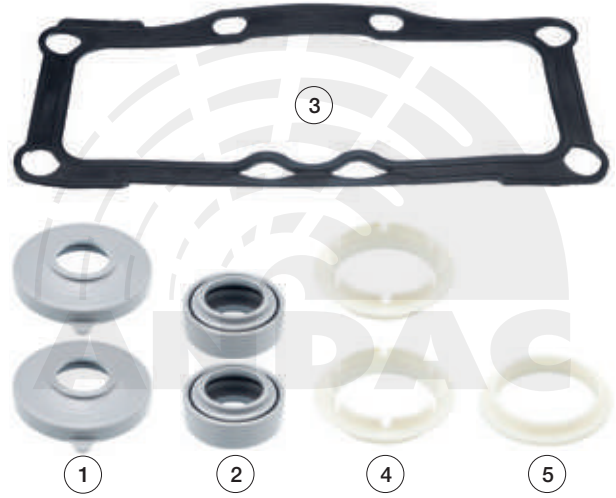


| | | | |
|------------------------|--|------|------------|
| ANDAC No | 0810 20337 | | |
| OE Reference No | | | |
| Application | ELSA 2 | | |
| Description | Caliper Calibration Mechanism Gasket Kit | | |
| | Name | Qty. | |
| 1 | K34 | 1 | Gasket |
| 2 | K24 | 2 | Boot |
| 3 | K23 | 2 | Dust Cover |



MERITOR ELSA2

| | | |
|------------------------|--------------------|--------------|
| ANDAC No | 0810 20923 | |
| OE Reference No | | |
| Application | ELSA 2 | |
| Description | Caliper Repair Kit | |
| | Name | Qty. |
| 1 | K23 | 2 Dust Cover |
| 2 | K24 | 2 Boot |
| 3 | K34 | 1 Gasket |
| 4 | P11 | 2 GF Ring |
| 5 | P8 | 1 GF Ring |



| | | |
|------------------------|--------------------------------------|-------------|
| ANDAC No | 0810 20276 | |
| OE Reference No | 68324270 | |
| Application | ELSA 2 | |
| Description | Caliper Calibration Mechanism Gasket | |
| | Name | Qty. |
| 1 | K34 | 1 Gasket |



| | | |
|------------------------|--------------------|--------------|
| ANDAC No | 0810 20466 | |
| OE Reference No | | |
| Application | ELSA 2 | |
| Description | Caliper Repair Kit | |
| | Name | Qty. |
| 1 | S201 | 1 Cap Ring |
| 2 | K25 | 1 Dust Cover |
| 3 | K31 | 1 Seal |



MERITOR ELSA2

| | | | |
|------------------------|------|--------------------------|---------------------|
| ANDAC No | | 0810 20340 | |
| OE Reference No | | MCK1352 - MST1504 | |
| Application | | ELSA 2 | |
| Description | | Caliper Adaptor Plug Kit | |
| | Name | Qty. | |
| 1 | P44 | 1 | Plastic Plug |
| 2 | S120 | 1 | Plug Sheet |
| 3 | C52 | 1 | Screw M10x1,25x16mm |
| 4 | C23 | 1 | Screw M8x1,25x15mm |
| 5 | K31 | 1 | Seal |
| 6 | K120 | 2 | O-Ring |



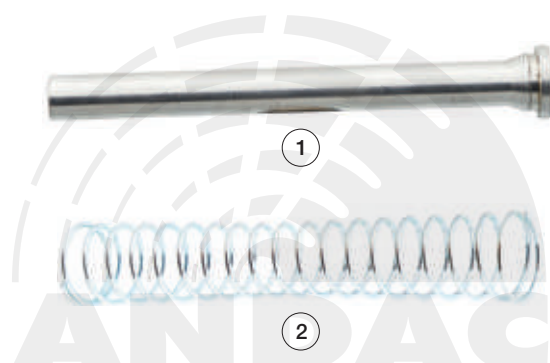
| | | | |
|------------------------|------|------------------------------|------------|
| ANDAC No | | 0810 20278 | |
| OE Reference No | | 68322655PK10 | |
| Application | | ELSA 2 | |
| Description | | Caliper Adjusting Dust Cover | |
| | Name | Qty. | |
| 1 | K25 | 10 | Dust Cover |



| | | | |
|------------------------|------|-------------------|------|
| ANDAC No | | 0810 20280 | |
| OE Reference No | | 68323746PK10 | |
| Application | | ELSA 2 | |
| Description | | Caliper Seal | |
| | Name | Qty. | |
| 1 | K86 | 10 | Seal |



| | | | |
|------------------------|------|---------------------------|--------|
| ANDAC No | | 0810 20287 | |
| OE Reference No | | | |
| Application | | ELSA 2 | |
| Description | | Caliper Pad Wear Assembly | |
| | Name | Qty. | |
| 1 | T116 | 1 | Pin |
| 2 | Y34 | 1 | Spring |



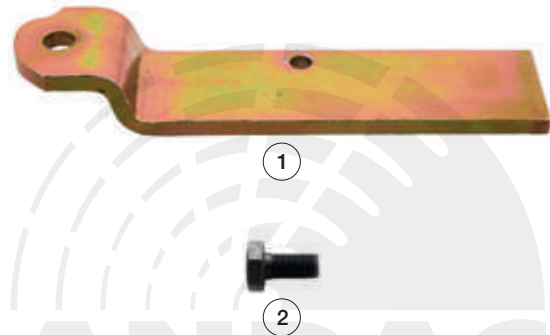
| | | | |
|------------------------|---------------------------|-------------|--------|
| ANDAC No | 0810 20290 | | |
| OE Reference No | MCK1352 - MST1504 | | |
| Application | ELSA 2 | | |
| Description | Caliper Pad Wear Assembly | | |
| | Name | Qty. | |
| 1 | P26 | 1 | Pin |
| 2 | Y34 | 1 | Spring |
| | | | |
| | | | |



| | | | |
|------------------------|--------------------|-------------|--------------------|
| ANDAC No | 0810 20339 | | |
| OE Reference No | MCK1240 | | |
| Application | ELSA 2 | | |
| Description | Caliper Repair Kit | | |
| | Name | Qty. | |
| 1 | C14 | 4 | Screw M16x1.5x40mm |
| 2 | P26 | 1 | Pin |
| 3 | Y34 | 1 | Spring |
| | | | |
| | | | |



| | | | |
|------------------------|---|-------------|---------------------|
| ANDAC No | 0810 20292 | | |
| OE Reference No | MCK1174 - 5001858719 - 5001866486 - 85107958 - KIT225210 - 225210 | | |
| Application | ELSA 2 | | |
| Description | Caliper Pad Retainer | | |
| | Name | Qty. | |
| 1 | S41 | 1 | Pad Retainer |
| 2 | C17 | 1 | Screw M10x1,25x20mm |
| | | | |
| | | | |

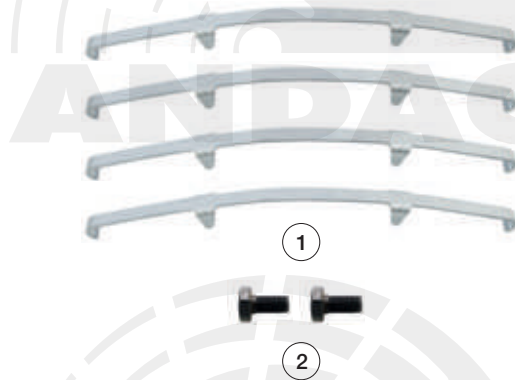


MERITOR ELSA2

| | | | |
|------------------------|-------------|---------------------------|---------------------|
| ANDAC No | | 0810 20490 | |
| OE Reference No | | WVA 29131 - 68324072 | |
| Application | | ELSA 2 | |
| Description | | Caliper Pad Retention Kit | |
| | Name | Qty. | |
| 1 | S205 | 4 | Retention Spring |
| 2 | C17 | 2 | Screw M10x1,25x20mm |
| 3 | KB003 | 2 | Indicator Cable |



| | | | |
|------------------------|-------------|---------------------------|---------------------|
| ANDAC No | | 0810 20491 | |
| OE Reference No | | WVA 29131 - MBA 105 | |
| Application | | ELSA 2 | |
| Description | | Caliper Pad Retention Kit | |
| | Name | Qty. | |
| 1 | S205 | 4 | Retention Spring |
| 2 | C17 | 2 | Screw M10x1,25x20mm |



| | | | |
|------------------------|-------------|----------------------|--------------|
| ANDAC No | | 0810 20597 | |
| OE Reference No | | | |
| Application | | ELSA 2 | |
| Description | | Caliper Adaptor Plug | |
| | Name | Qty. | |
| 1 | P111 | 5 | Plasitc Plug |



| | | | |
|------------------------|-------------|---------------------|--------------------|
| ANDAC No | | 0810 20596 | |
| OE Reference No | | | |
| Application | | ELSA 2 | |
| Description | | Caliper Sensor Plug | |
| | Name | Qty. | |
| 1 | K202 | 5 | Rubber sensor plug |
| | | | |
| | | | |
| | | | |
| | | | |
| | | | |
| | | | |
| | | | |
| | | | |
| | | | |



MERITOR
ELSA2

| | | | |
|------------------------|-------------|----------------------|----------------------|
| ANDAC No | | 0810 20598 | |
| OE Reference No | | | |
| Application | | ELSA 2 | |
| Description | | Caliper Sensor Cover | |
| | Name | Qty. | |
| 1 | P112 | 1 | Caliper Sensor Cover |
| 2 | C23 | 1 | Screw M8x1.25x16mm |
| 3 | C52 | 1 | Screw M10x1.25x16mm |
| | | | |
| | | | |
| | | | |
| | | | |
| | | | |
| | | | |
| | | | |
| | | | |
| | | | |



1



2

3

ANDAC

ANDAC

MERITOR
ELSA 195-225-EX225



MERITOR
ELSA 195-225-EX225

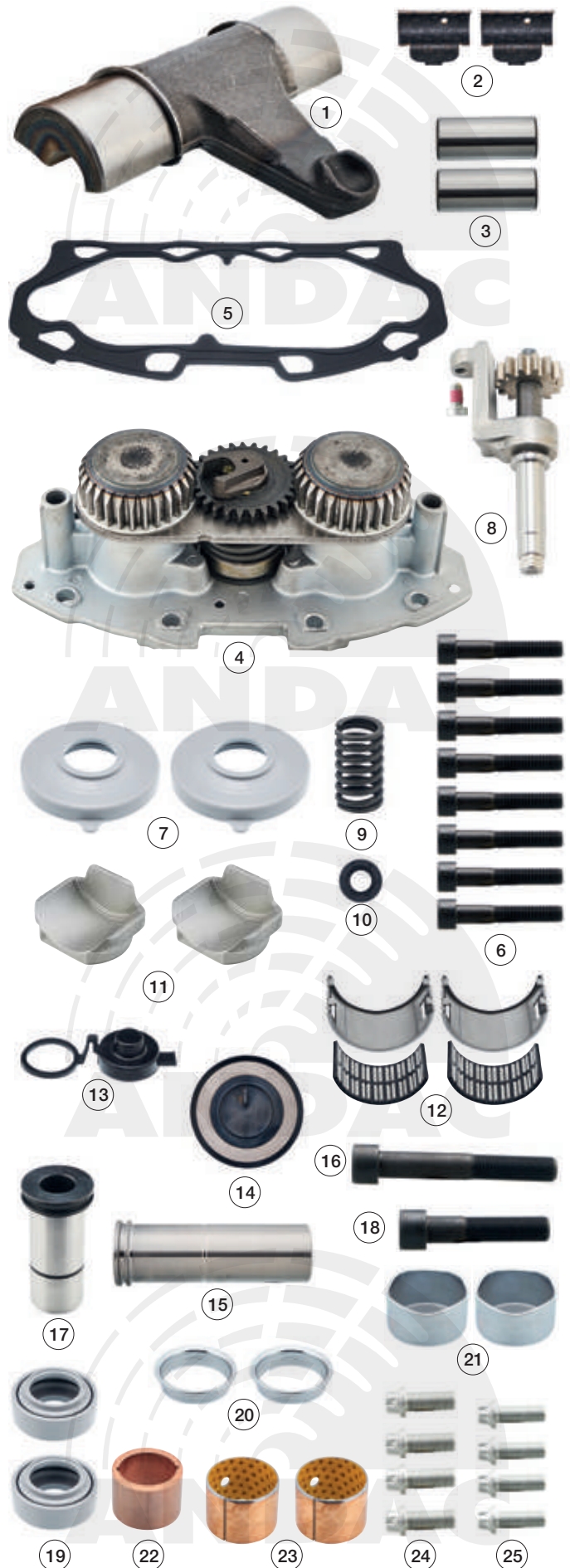
ANDAC No 0810 20310

OE Reference No

Application ELSA 195, ELSA 225, EX 225

Description Caliper Complete Overhaul Repair Kit

| Name | Qty. | |
|---------|------|--------------------------------|
| 1 T228 | 1 | Lever |
| 2 S25 | 2 | Lever Bearing |
| 3 T128 | 2 | Pin |
| 4 T260 | 1 | Calibration Mechanism Complete |
| 5 K93 | 1 | Gasket |
| 6 C53 | 8 | Screw M8x1,25x45mm |
| 7 K23 | 2 | Dust Cover |
| 8 T188 | 1 | Adjusting Gear |
| 9 Y21 | 1 | Spring |
| 10 K31 | 1 | Seal |
| 11 T69 | 2 | Bearing Cap |
| 12 R12 | 2 | Roller Bearing |
| 13 K25 | 1 | Dust Cover |
| 14 K86 | 1 | Seal |
| 15 T175 | 1 | Guide Pin Ø35x117mm |
| 16 C32 | 1 | Screw M18x1,5x120mm |
| 17 T174 | 1 | Guide Pin Ø31x78mm |
| 18 C33 | 1 | Screw M18x1,5x82mm |
| 19 K24 | 2 | Boot |
| 20 S11 | 2 | Ring |
| 21 S26 | 2 | Metal Tap |
| 22 B8 | 1 | Bush |
| 23 B3 | 2 | Bush |
| 24 C14 | 4 | Screw M16x1,5x40mm |
| 25 C49 | 4 | Screw M14x1,5x40mm |



MERITOR
ELSA 195-225-EX225

| | |
|-----------------|-------------------|
| ANDAC No | 0810 20311 |
|-----------------|-------------------|

| | |
|------------------------|--|
| OE Reference No | |
|------------------------|--|

| | |
|--------------------|----------------------------|
| Application | ELSA 195, ELSA 225, EX 225 |
|--------------------|----------------------------|

| | |
|--------------------|---|
| Description | Caliper Complete Overhaul Repair Kit |
|--------------------|---|

| | Name | Qty. | |
|----|------|------|--------------------------------|
| 1 | T341 | 1 | Lever |
| 2 | S167 | 2 | Lever Bearing |
| 3 | T128 | 2 | Pin |
| 4 | T260 | 1 | Calibration Mechanism Complete |
| 5 | K93 | 1 | Gasket |
| 6 | C53 | 8 | Screw M8x1,25x45mm |
| 7 | K23 | 2 | Dust Cover |
| 8 | T188 | 1 | Adjusting Gear |
| 9 | Y21 | 1 | Spring |
| 10 | K31 | 1 | Seal |
| 11 | T69 | 2 | Bearing Cap |
| 12 | R12 | 2 | Roller Bearing |
| 13 | K25 | 1 | Dust Cover |
| 14 | K86 | 1 | Seal |
| 15 | T175 | 1 | Guide Pin Ø35x117mm |
| 16 | C32 | 2 | Screw M18x1,5x120mm |
| 17 | T197 | 1 | Guide Pin Ø31x117mm |
| 18 | K24 | 2 | Boot |
| 19 | S11 | 2 | Ring |
| 20 | S26 | 2 | Metal Tap |
| 21 | B8 | 1 | Bush |
| 22 | B3 | 2 | Bush |
| 23 | C14 | 4 | Screw M16x1,5x40mm |



ANDAC No 0810 20312

| | |
|------------------------|---|
| OE Reference No | |
| Application | EX 225 |
| Description | Caliper Complete Overhaul Repair Kit |

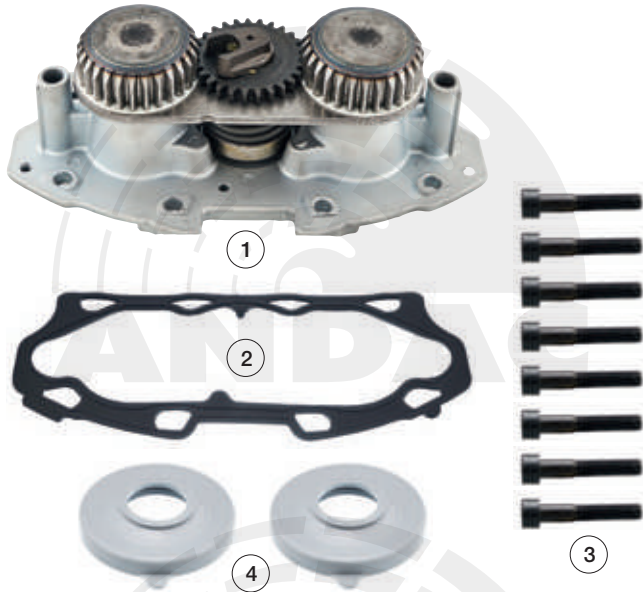
| | Name | Qty. | |
|----|------|------|--------------------------------|
| 1 | T229 | 1 | Lever |
| 2 | S25 | 2 | Lever Bearing |
| 3 | T128 | 2 | Pin |
| 4 | T260 | 1 | Calibration Mechanism Complete |
| 5 | K93 | 1 | Gasket |
| 6 | C53 | 8 | Screw M8x1,25x45mm |
| 7 | K23 | 2 | Dust Cover |
| 8 | T188 | 1 | Adjusting Gear |
| 9 | Y21 | 1 | Spring |
| 10 | K31 | 1 | Seal |
| 11 | T69 | 2 | Bearing Cap |
| 12 | R12 | 2 | Roller Bearing |
| 13 | K25 | 1 | Dust Cover |
| 14 | K86 | 1 | Seal |
| 15 | T175 | 1 | Guide Pin Ø35x117mm |
| 16 | C32 | 1 | Screw M18x1,5x120mm |
| 17 | T174 | 1 | Guide Pin Ø31x78mm |
| 18 | C33 | 1 | Screw M18x1,5x82mm |
| 19 | K24 | 2 | Boot |
| 20 | S11 | 2 | Ring |
| 21 | S26 | 2 | Metal Tap |
| 22 | B8 | 1 | Bush |
| 23 | B3 | 2 | Bush |
| 24 | C14 | 4 | Screw M16x1,5x40mm |
| 25 | C49 | 4 | Screw M14x1,5x40mm |



MERITOR
ELSA 195-225-EX225

MERITOR ELSA 195-225-EX225

| | | | |
|------------------------|------|-------------------------------|--------------------------------|
| ANDAC No | | 0810 20143 | |
| OE Reference No | | | |
| Application | | ELSA 195, ELSA 225, EX 225 | |
| Description | | Caliper Calibration Mechanism | |
| | Name | Qty. | |
| 1 | T260 | 1 | Calibration Mechanism Complete |
| 2 | K93 | 1 | Gasket |
| 3 | C53 | 8 | Screw M8x1,25x45mm |
| 4 | K23 | 2 | Dust Cover |



| | | | |
|------------------------|------|---|----------------------|
| ANDAC No | | 0810 20460 | |
| OE Reference No | | | |
| Application | | ELSA 195, ELSA 225, EX 225 | |
| Description | | Caliper Calibration Mechanism (Aluminium) | |
| | Name | Qty. | |
| 1 | T593 | 1 | Aluminium Cap (Bush) |
| 2 | K93 | 1 | Gasket |
| 3 | S31 | 2 | Bush |
| 4 | K51 | 2 | Triangle Seal |
| 5 | S32 | 2 | Ring |
| 6 | C53 | 8 | Screw M8x1,25x45mm |



| | | | |
|------------------------|------|-------------------------------|------------------------------|
| ANDAC No | | 0810 20144 | |
| OE Reference No | | | |
| Application | | ELSA 195, ELSA 225, EX 225 | |
| Description | | Caliper Calibration Mechanism | |
| | Name | Qty. | |
| 1 | T65A | 1 | Aluminium Cap (Ball Bearing) |
| 2 | K93 | 1 | Gasket |
| 3 | S31 | 2 | Bush |
| 4 | K51 | 2 | Triangle Seal |
| 5 | S32 | 2 | Ring |
| 6 | C53 | 8 | Screw M8x1,25x45mm |



MERITOR ELSA 195-225-EX225

| | | | |
|------------------------|-------------|----------------------------|-------------------------------|
| ANDAC No | | 0810 20145 | |
| OE Reference No | | | |
| Application | | ELSA 195, ELSA 225, EX 225 | |
| Description | | Caliper Calibration Gear | |
| | Name | Qty. | |
| 1 | T64 | 2 | Brake Lining Calibration Gear |
| | | | |
| | | | |



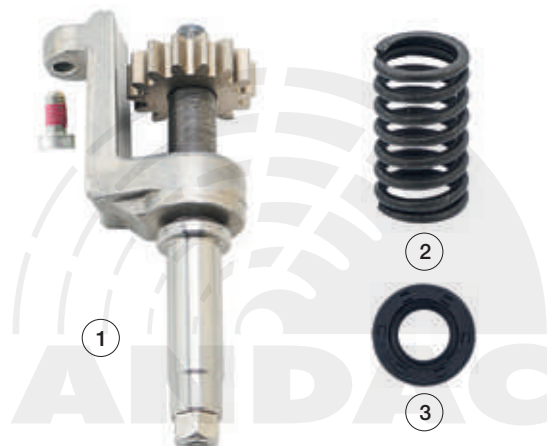
| | | | |
|------------------------|-------------|-----------------------------|---------------------|
| ANDAC No | | 0810 20146 | |
| OE Reference No | | | |
| Application | | ELSA 195, ELSA 225, EX 225 | |
| Description | | Caliper Adjusting Mechanism | |
| | Name | Qty. | |
| 1 | T63 | 1 | Adjusting Mechanism |
| | | | |
| | | | |



| | | | |
|------------------------|-------------|------------------------|----------------|
| ANDAC No | | 0810 20454 | |
| OE Reference No | | | |
| Application | | ELSA 195 | |
| Description | | Caliper Adjusting Gear | |
| | Name | Qty. | |
| 1 | T493 | 1 | Adjusting Gear |
| 2 | Y58 | 1 | Spring |
| | | | |
| | | | |



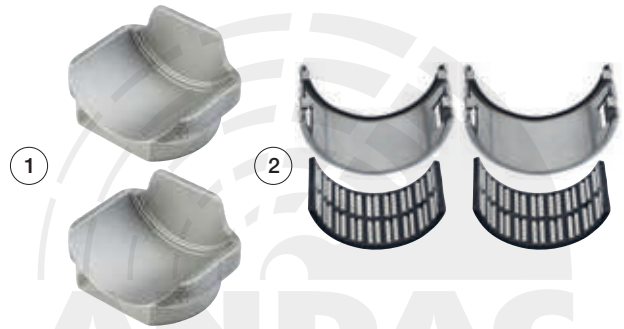
| | | | |
|------------------------|-------------|----------------------------|----------------|
| ANDAC No | | 0810 20149 | |
| OE Reference No | | | |
| Application | | ELSA 195, ELSA 225, EX 225 | |
| Description | | Caliper Adjusting Gear | |
| | Name | Qty. | |
| 1 | T188 | 1 | Adjusting Gear |
| 2 | Y21 | 1 | Spring |
| 3 | K31 | 1 | Seal |
| | | | |
| | | | |



MERITOR
ELSA 195-225-EX225

MERITOR ELSA 195-225-EX225

| | | |
|------------------------|----------------------------|------------------|
| ANDAC No | 0810 20303 | |
| OE Reference No | | |
| Application | ELSA 195, ELSA 225, EX 225 | |
| Description | Caliper Roller Bearing Kit | |
| | Name | Qty. |
| 1 | T69 | 2 Bearing Cap |
| 2 | R12 | 2 Roller Bearing |
| | | |
| | | |



| | | |
|------------------------|----------------------------|---------------|
| ANDAC No | 0810 20211 | |
| OE Reference No | | |
| Application | ELSA 195, ELSA 225, EX 225 | |
| Description | Caliper Bearing Cap | |
| | Name | Qty. |
| 1 | T69 | 2 Bearing Cap |
| | | |
| | | |



| | | |
|------------------------|----------------------------|------------------|
| ANDAC No | 0810 20212 | |
| OE Reference No | | |
| Application | ELSA 195, ELSA 225, EX 225 | |
| Description | Caliper Roller Bearing | |
| | Name | Qty. |
| 1 | R12 | 2 Roller Bearing |
| | | |
| | | |



| | | |
|------------------------|----------------------------|------------------|
| ANDAC No | 0810 20214 | |
| OE Reference No | SJ4112 - 3092329 | |
| Application | ELSA 195, ELSA 225 | |
| Description | Caliper Roller Bearing Kit | |
| | Name | Qty. |
| 1 | R12 | 2 Roller Bearing |
| 2 | T128 | 2 Pin |
| 3 | S25 | 2 Lever Bearing |
| | | |
| | | |



MERITOR
ELSA 195-225-EX225

MERITOR ELSA 195-225-EX225

| | | | |
|------------------------|------|----------------------------|----------------|
| ANDAC No | | 0810 20469 | |
| OE Reference No | | | |
| Application | | ELSA 225 RADIAL | |
| Description | | Caliper Roller Bearing Set | |
| | Name | Qty. | |
| 1 | R12 | 2 | Roller Bearing |
| 2 | T128 | 2 | Pin |
| 3 | S167 | 2 | Lever Bearing |



| | | | |
|------------------------|------|-------------------------------|---------------|
| ANDAC No | | 0810 20216 | |
| OE Reference No | | | |
| Application | | ELSA 195, ELSA 225, EX 225 H3 | |
| Description | | Caliper Lever (Left - Right) | |
| | Name | Qty. | |
| 1 | T228 | 1 | Lever |
| 2 | S25 | 2 | Lever Bearing |
| 3 | T128 | 2 | Pin |

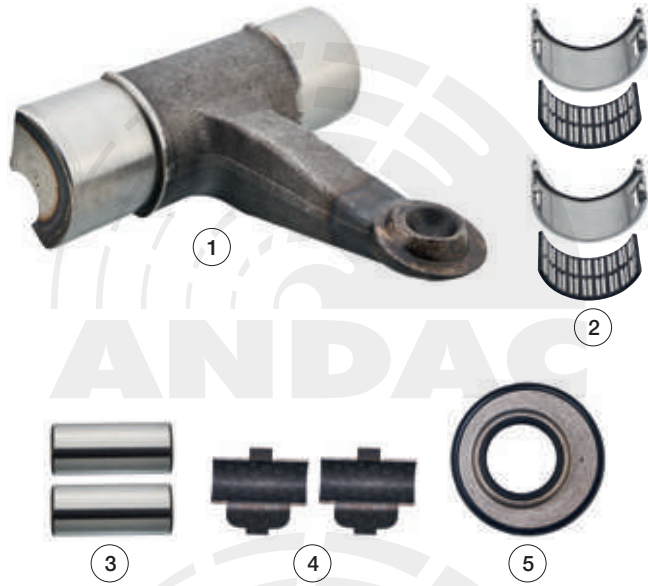


| | | | |
|------------------------|------|------------------------------|---------------|
| ANDAC No | | 0810 20217 | |
| OE Reference No | | | |
| Application | | ELSA 195, EX 225 H2 | |
| Description | | Caliper Lever (Left - Right) | |
| | Name | Qty. | |
| 1 | T229 | 1 | Lever |
| 2 | S25 | 2 | Lever Bearing |
| 3 | T128 | 2 | Pin |



MERITOR ELSA 195-225-EX225

| | | | |
|------------------------|---|------|----------------|
| ANDAC No | 0810 20396 | | |
| OE Reference No | | | |
| Application | ELSA 225 RADIAL | | |
| Description | Caliper Lever Repair Kit (Left - Right) | | |
| | Name | Qty. | |
| 1 | T341 | 1 | Lever |
| 2 | R12 | 2 | Roller Bearing |
| 3 | T128 | 2 | Pin |
| 4 | S167 | 2 | Lever Bearing |
| 5 | K30 | 1 | Eccentric Seal |



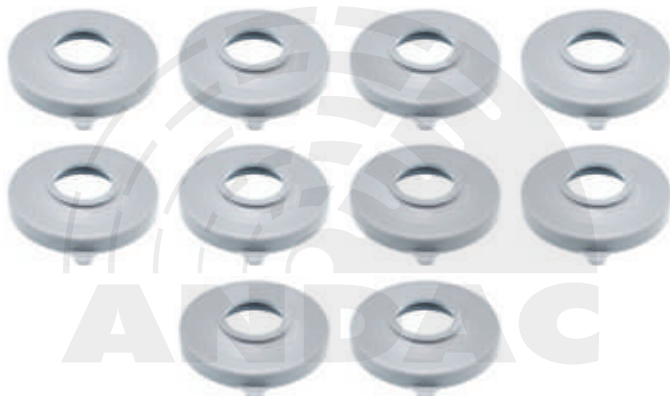
| | | | |
|------------------------|----------------------------|------|------|
| ANDAC No | 0810 20341 | | |
| OE Reference No | SJ4053 | | |
| Application | ELSA 195, ELSA 225, EX 225 | | |
| Description | Caliper Boot | | |
| | Name | Qty. | |
| 1 | K24 | 2 | Boot |



| | | | |
|------------------------|---|------|------------|
| ANDAC No | 0810 20229 | | |
| OE Reference No | MCK1139 - 85107913 - 81508026024 - 68324854 | | |
| Application | ELSA 195, ELSA 225, EX 225 | | |
| Description | Dust Cover | | |
| | Name | Qty. | |
| 1 | K23 | 2 | Dust Cover |

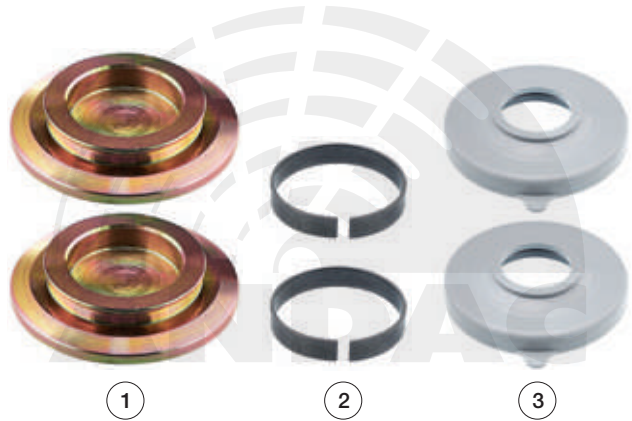


| | | | |
|------------------------|----------------------------|------|------------|
| ANDAC No | 0810 20365 | | |
| OE Reference No | 68324854PK10 | | |
| Application | ELSA 195, ELSA 225, EX 225 | | |
| Description | Caliper Dust Cover | | |
| | Name | Qty. | |
| 1 | K23 | 10 | Dust Cover |



MERITOR ELSA 195-225-EX225

| | | |
|------------------------|----------------------------|---------------|
| ANDAC No | 0810 20232 | |
| OE Reference No | MCK1309 - 5001866398 | |
| Application | ELSA 195, ELSA 225, EX 225 | |
| Description | Caliper Repair Kit | |
| | Name | Qty. |
| 1 | T154 | 2 Tappet |
| 2 | S40 | 2 Piston Ring |
| 3 | K23 | 2 Dust Cover |



| | | |
|------------------------|----------------------------|---------------|
| ANDAC No | 0810 20233 | |
| OE Reference No | | |
| Application | ELSA 195, ELSA 225, EX 225 | |
| Description | Caliper Tappet Repair Kit | |
| | Name | Qty. |
| 1 | T154 | 2 Tappet |
| 2 | S40 | 2 Piston Ring |



| | | |
|------------------------|---------------------------------|-----------------------|
| ANDAC No | 0810 20238 | |
| OE Reference No | MCK1298 - 85109890 - 5001866989 | |
| Application | ELSA 195, ELSA 225, EX 225 H2 | |
| Description | Caliper Repair Kit | |
| | Name | Qty. |
| 1 | T175 | 1 Guide Pin Ø35x117mm |
| 2 | C32 | 1 Screw M18x1,5x120mm |
| 3 | T174 | 1 Guide Pin Ø31x78mm |
| 4 | C33 | 1 Screw M18x1,5x82mm |
| 5 | K24 | 2 Boot |
| 6 | S11 | 2 Ring |
| 7 | S26 | 2 Metal Tap |
| 8 | B8 | 1 Bush |
| 9 | B3 | 2 Bush |
| 10 | C14 | 4 Screw M16x1,5x40mm |
| 11 | C49 | 4 Screw M14x1,5x40mm |



MERITOR ELSA 195-225-EX225

| ANDAC No | | 0810 20239 |
|-----------------|------|---------------------|
| OE Reference No | | MCK1254 |
| Application | | ELSA 225, EX 225 H3 |
| Description | | |
| Name | Qty. | |
| 1 T175 | 1 | Guide Pin Ø35x117mm |
| 2 C32 | 1 | Screw M18x1,5x120mm |
| 3 T174 | 1 | Guide Pin Ø31x78mm |
| 4 C33 | 1 | Screw M18x1,5x82mm |
| 5 K24 | 2 | Boot |
| 6 S11 | 2 | Ring |
| 7 S26 | 2 | Metal Tap |
| 8 B8 | 1 | Bush |
| 9 B3 | 2 | Bush |
| 10 C14 | 4 | Screw M16x1,5x40mm |



| ANDAC No | | 0810 20240 |
|-----------------|------|----------------------------|
| OE Reference No | | |
| Application | | ELSA 195, ELSA 225, EX 225 |
| Description | | Caliper Repair Kit |
| Name | Qty. | |
| 1 T175 | 1 | Guide Pin Ø35x117mm |
| 2 C32 | 1 | Screw M18x1,5x120mm |
| 3 T174 | 1 | Guide Pin Ø31x78mm |
| 4 C33 | 1 | Screw M18x1,5x82mm |
| 5 K24 | 2 | Boot |
| 6 S11 | 2 | Ring |
| 7 S26 | 2 | Metal Tap |
| 8 B8 | 1 | Bush |
| 9 B3 | 2 | Bush |



| ANDAC No | | 0810 20540 |
|-----------------|------|----------------------------|
| OE Reference No | | |
| Application | | ELSA 195, ELSA 225, EX 225 |
| Description | | Caliper Repair Kit |
| Name | Qty. | |
| 1 T852 | 1 | Guide Pin Ø35x78 |
| 2 C33 | 1 | Screw M18x1,5x82mm |
| 3 K24 | 2 | Boot |
| 4 S11 | 2 | Ring |
| 5 S278 | 2 | Metal Cap 44X18mm |
| 6 B56 | 1 | Bush Sleeve |
| 7 B3 | 2 | Bush |
| 8 C14 | 3 | Screw M16x1,5x40mm |



| | | |
|------------------------|--|-----------------------|
| ANDAC No | 0810 20241 | |
| OE Reference No | MCK1317 - 85109889 - 5001866385 | |
| Application | ELSA 225 RADIAL | |
| Description | Caliper Repair Kit | |
| | Name | Qty. |
| 1 | T175 | 1 Guide Pin Ø35x117mm |
| 2 | C32 | 2 Screw M18x1,5x120mm |
| 3 | T197 | 1 Guide Pin Ø31x117mm |
| 4 | K24 | 2 Boot |
| 5 | S11 | 2 Ring |
| 6 | S26 | 2 Metal Tap |
| 7 | B8 | 2 Bush |
| 8 | B3 | 2 Bush |
| 9 | C14 | 4 Screw M16x1,5x40mm |



| | | |
|------------------------|--|-----------------------|
| ANDAC No | 0810 20305 | |
| OE Reference No | MCK1323 - 5001866560 - 21392594 | |
| Application | ELSA 195, ELSA 225, EX 225 | |
| Description | Caliper Repair Kit | |
| | Name | Qty. |
| 1 | T175 | 1 Guide Pin Ø35x117mm |
| 2 | C32 | 1 Screw M18x1,5x120mm |
| 3 | T174 | 1 Guide Pin Ø31x78mm |
| 4 | C33 | 1 Screw M18x1,5x82mm |
| 5 | K24 | 2 Boot |
| 6 | S11 | 2 Ring |
| 7 | S26 | 2 Metal Tap |
| 8 | B8 | 1 Bush |
| 9 | B3 | 2 Bush |
| 10 | C49 | 4 Screw M14x1,5x40mm |



| | | |
|------------------------|-----------------------------------|----------------------|
| ANDAC No | 0810 20253 | |
| OE Reference No | MCK1244 - 5001860792 | |
| Application | ELSA 195, ELSA 225, EX 225 | |
| Description | Caliper Repair Kit | |
| | Name | Qty. |
| 1 | K23 | 2 Dust Cover |
| 2 | K24 | 2 Boot |
| 3 | K25 | 1 Dust Cover |
| 4 | S7 | 2 Metal Tap |
| 5 | C14 | 4 Screw M16x1,5x40mm |
| 6 | K86 | 1 Seal |



MERITOR ELSA 195-225-EX225

| | | | |
|------------------------|---------------------------|-------------|---------------------|
| ANDAC No | 0810 20342 | | |
| OE Reference No | KIT225200 - 225200 | | |
| Application | EX 225 | | |
| Description | Caliper Repair Kit | | |
| | Name | Qty. | |
| 1 | T175 | 1 | Guide Pin Ø35x117mm |
| 2 | C32 | 1 | Screw M18x1.5x120mm |
| 3 | T174 | 1 | Guide Pin Ø31x78mm |
| 4 | C33 | 1 | Screw M18x1.5x82mm |
| 5 | C14 | 4 | Screw M16x1.5x40mm |
| 6 | K24 | 2 | Boot |
| 7 | K23 | 2 | Dust Cover |
| 8 | S7 | 2 | Metal Tap |



MERITOR
ELSA 195-225-EX225

| | | | |
|------------------------|-----------------------------------|-------------|--------------------|
| ANDAC No | 0810 20343 | | |
| OE Reference No | KIT225201 - 225201 | | |
| Application | ELSA 195, ELSA 225, EX 225 | | |
| Description | Caliper Repair Kit | | |
| | Name | Qty. | |
| 1 | C14 | 4 | Screw M16x1.5x40mm |
| 2 | K24 | 2 | Boot |
| 3 | K23 | 2 | Dust Cover |
| 4 | K25 | 1 | Dust Cover |



| | | | |
|------------------------|--|-------------|---------------------|
| ANDAC No | 0810 20256 | | |
| OE Reference No | MCK1310 - 85109892 - 5001868400 | | |
| Application | ELSA 195, ELSA 225 | | |
| Description | Caliper Repair Kit | | |
| | Name | Qty. | |
| 1 | C14 | 4 | Screw M16x1.5x40mm |
| 2 | C49 | 4 | Screw M14x1.5x40mm |
| 3 | C32 | 1 | Screw M18x1.5x120mm |
| 4 | K24 | 2 | Boot |
| 5 | S26 | 2 | Metal Tap |



| | | | |
|------------------------|-----------------------------------|-------------|--------------------|
| ANDAC No | 0810 20257 | | |
| OE Reference No | MCK1253 - 884368 | | |
| Application | ELSA 195, ELSA 225, EX 225 | | |
| Description | Caliper Repair Kit | | |
| | Name | Qty. | |
| 1 | C49 | 4 | Screw M16x1.5x40mm |
| 2 | K24 | 2 | Boot |
| 3 | S7 | 2 | Metal Tap |

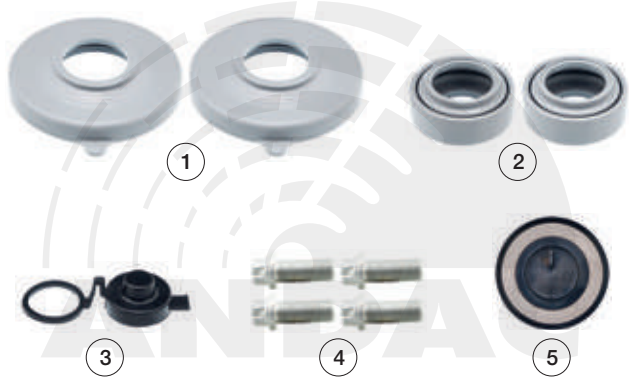


MERITOR ELSA 195-225-EX225

| | | | |
|------------------------|----------------------------|------|------------|
| ANDAC No | 0810 20258 | | |
| OE Reference No | | | |
| Application | ELSA 195, ELSA 225, EX 225 | | |
| Description | Caliper Repair Kit | | |
| | Name | Qty. | |
| 1 | K23 | 2 | Dust Cover |
| 2 | K24 | 2 | Boot |
| 3 | K25 | 1 | Dust Cover |
| 4 | K86 | 1 | Seal |



| | | | |
|------------------------|----------------------------|------|--------------------|
| ANDAC No | 0810 20358 | | |
| OE Reference No | 5001858718 | | |
| Application | ELSA 195, ELSA 225, EX 225 | | |
| Description | Caliper Repair Kit | | |
| | Name | Qty. | |
| 1 | K23 | 2 | Dust Cover |
| 2 | K24 | 2 | Boot |
| 3 | K25 | 1 | Dust Cover |
| 4 | C14 | 4 | Screw M16x1,5x40mm |
| 5 | K86 | 1 | Seal |



| | | | |
|------------------------|-------------------------------------|------|---------------------|
| ANDAC No | 0810 20366 | | |
| OE Reference No | MCK1087 | | |
| Application | ELSA 195, ELSA 225, EX 225, MAN TGA | | |
| Description | Caliper Repair Kit | | |
| | Name | Qty. | |
| 1 | C49 | 4 | Screw M14x1,5x40mm |
| 2 | K24 | 2 | Boot |
| 3 | S26 | 2 | Metal Tap |
| 4 | C17 | 1 | Screw M10x1,25x20mm |

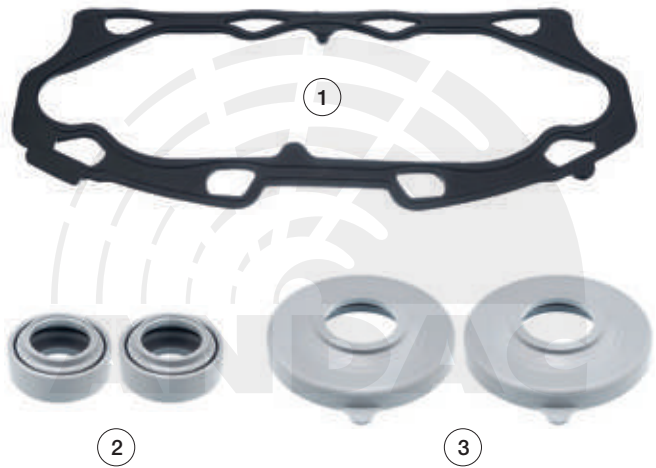


| | | | |
|------------------------|----------------------------|------|-----------|
| ANDAC No | 0810 20304 | | |
| OE Reference No | KIT225221 - 225221 | | |
| Application | ELSA 195, ELSA 225, EX 225 | | |
| Description | Caliper Repair Kit | | |
| | Name | Qty. | |
| 1 | B8 | 1 | Bush |
| 2 | B3 | 2 | Bush |
| 3 | S7 | 2 | Metal Tap |
| 4 | S11 | 2 | Ring |



MERITOR ELSA 195-225-EX225

| | | | |
|------------------------|------|--|------------|
| ANDAC No | | 0810 20338 | |
| OE Reference No | | | |
| Application | | ELSA 195, ELSA 225, EX 225 | |
| Description | | Caliper Calibration Mechanism Gasket Kit | |
| | Name | Qty. | |
| 1 | K93 | 1 | Gasket |
| 2 | K24 | 2 | Boot |
| 3 | K23 | 2 | Dust Cover |



| | | | |
|------------------------|------|--------------------------------------|--------|
| ANDAC No | | 0810 20277 | |
| OE Reference No | | | |
| Application | | ELSA 195, ELSA 225, EX 225 | |
| Description | | Caliper Calibration Mechanism Gasket | |
| | Name | Qty. | |
| 1 | K93 | 1 | Gasket |



| | | | |
|------------------------|------|------------------------------|------------|
| ANDAC No | | 0810 20278 | |
| OE Reference No | | 68322655PK10 | |
| Application | | ELSA 195, ELSA 225, EX 225 | |
| Description | | Caliper Adjusting Dust Cover | |
| | Name | Qty. | |
| 1 | K25 | 10 | Dust Cover |



| | | | |
|------------------------|------|--------------------|------|
| ANDAC No | | 0810 20280 | |
| OE Reference No | | 68323746PK10 | |
| Application | | ELSA 195, ELSA 225 | |
| Description | | Caliper Seal | |
| | Name | Qty. | |
| 1 | K86 | 10 | Seal |



MERITOR ELSA 195-225-EX225

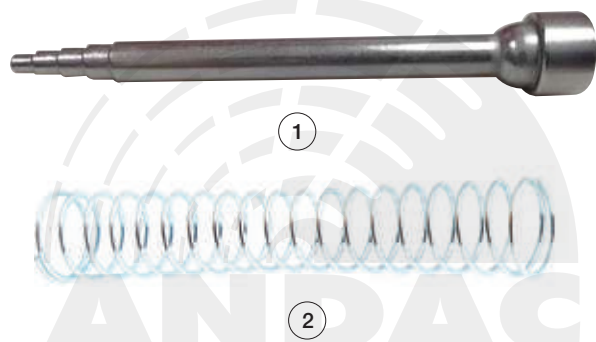
| | | | |
|------------------------|----------------------------|-------------|------------|
| ANDAC No | 0810 20466 | | |
| OE Reference No | | | |
| Application | ELSA 195, ELSA 225, EX 225 | | |
| Description | Caliper Repair Kit | | |
| | Name | Qty. | |
| 1 | S201 | 1 | Ring |
| 2 | K25 | 1 | Dust Cover |
| 3 | K31 | 1 | Seal |
| | | | |
| | | | |



| | | | |
|------------------------|----------------------------|-------------|---------------------|
| ANDAC No | 0810 20340 | | |
| OE Reference No | MCK1352 - MST1504 | | |
| Application | ELSA 195, ELSA 225, EX 225 | | |
| Description | Caliper Adaptor Plug Kit | | |
| | Name | Qty. | |
| 1 | P44 | 1 | Plastic Plug |
| 2 | S120 | 1 | Plug Sheet |
| 3 | C52 | 1 | Screw M10x1,25x16mm |
| 4 | C23 | 1 | Screw M8x1,25x15mm |
| 5 | K31 | 1 | Seal |
| 6 | K120 | 2 | O-Ring |



| | | | |
|------------------------|---|-------------|-----------|
| ANDAC No | 0810 20525 | | |
| OE Reference No | MCK1296 - MCK1311 - 85109883 - KIT225207 - 225207 | | |
| Application | ELSA 195, ELSA 225, EX 225 | | |
| Description | Caliper Pad Wear Assembly | | |
| | Name | Qty. | |
| 1 | T766 | 1 | Metal Pin |
| 2 | Y34 | 1 | Spring |
| | | | |
| | | | |



| | | | |
|------------------------|---|-------------|--------|
| ANDAC No | 0810 20289 | | |
| OE Reference No | MCK1296 - MCK1311 - 85109883 - KIT225207 - 225207 | | |
| Application | ELSA 195, ELSA 225, EX 225 | | |
| Description | Caliper Pad Wear Assembly | | |
| | Name | Qty. | |
| 1 | P24 | 1 | Pin |
| 2 | Y34 | 1 | Spring |
| | | | |
| | | | |

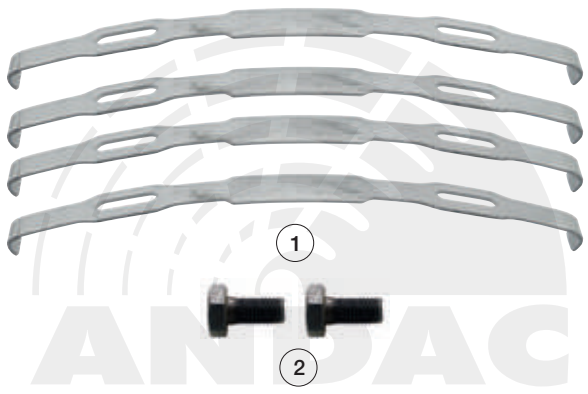


MERITOR ELSA 195-225-EX225

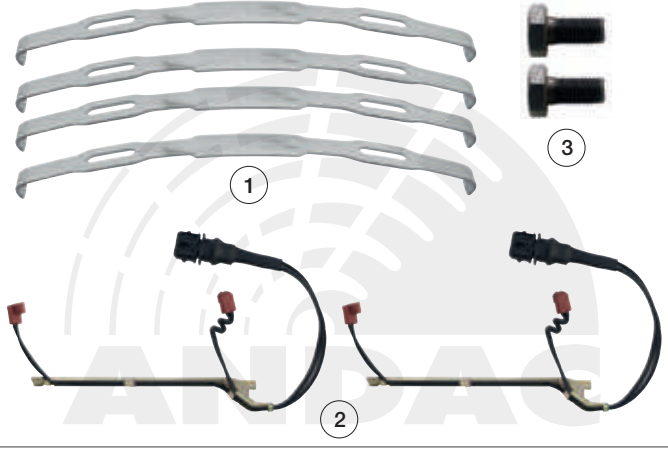
| | | | |
|------------------------|---|-------------|---------------------|
| ANDAC No | 0810 20292 | | |
| OE Reference No | MCK1174 - 5001858719 - 5001866486 - 85107958 - KIT225210 - 225210 | | |
| Application | ELSA 195, ELSA 225 | | |
| Description | Caliper Pad Retainer | | |
| | Name | Qty. | |
| 1 | S41 | 1 | Pad Retainer |
| 2 | C17 | 1 | Screw M10x1,25x20mm |



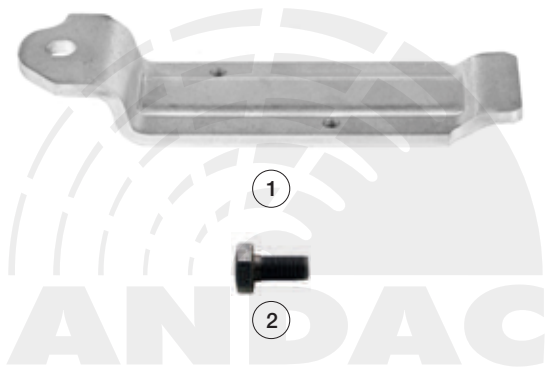
| | | | |
|------------------------|---------------------------|-------------|---------------------|
| ANDAC No | 0810 20450 | | |
| OE Reference No | WVA 29174 - MBA112 | | |
| Application | ELSA 225 | | |
| Description | Caliper Pad Retention Kit | | |
| | Name | Qty. | |
| 1 | S162 | 4 | Retention Spring |
| 2 | C17 | 2 | Screw M10x1,25x20mm |



| | | | |
|------------------------|---------------------------|-------------|---------------------|
| ANDAC No | 0810 20495 | | |
| OE Reference No | WVA 29174 - 68325408 | | |
| Application | ELSA 225 | | |
| Description | Caliper Pad Retention Kit | | |
| | Name | Qty. | |
| 1 | S162 | 4 | Retention Spring |
| 2 | KB005 | 2 | Indicator Cable |
| 3 | C17 | 2 | Screw M10x1,25x20mm |



| | | | |
|------------------------|----------------------|-------------|---------------------|
| ANDAC No | 0810 20602 | | |
| OE Reference No | KIT225270 | | |
| Application | EX225L | | |
| Description | Caliper Pad Retainer | | |
| | Name | Qty. | |
| 1 | S305 | 1 | Pad Retainer |
| 2 | C17 | 1 | Screw M10x1,25x20mm |



MERITOR ELSA 195-225-EX225

| | | | |
|------------------------|-------------|----------------------------|----------------------|
| ANDAC No | | 0810 20597 | |
| OE Reference No | | | |
| Application | | ELSA 195, ELSA 225, EX 225 | |
| Description | | Caliper Adaptor Plug Kit | |
| | Name | Qty. | |
| 1 | P11 | 5 | Caliper Adaptor Plug |
| | | | |
| | | | |
| | | | |



| | | | |
|------------------------|-------------|----------------------------|--------------------|
| ANDAC No | | 0810 20596 | |
| OE Reference No | | | |
| Application | | ELSA 195, ELSA 225, EX 225 | |
| Description | | Caliper Sensor Plug | |
| | Name | Qty. | |
| 1 | K202 | 5 | Rubber sensor plug |
| | | | |
| | | | |
| | | | |



| | | | |
|------------------------|-------------|----------------------------|----------------------|
| ANDAC No | | 0810 20598 | |
| OE Reference No | | | |
| Application | | ELSA 195, ELSA 225, EX 225 | |
| Description | | Caliper Sensor Cover | |
| | Name | Qty. | |
| 1 | P112 | 1 | Caliper Sensor Cover |
| 2 | C23 | 1 | Screw M8x1.25x16mm |
| 3 | C52 | 1 | Screw M10x1.25x16mm |
| | | | |
| | | | |
| | | | |



MERITOR
ELSA 195-225-EX225



**MERITOR
EX225+L**



MERITOR
EX225+L

ANDAC No 0810 20600

OE Reference No

Application EX225L

Description Caliper Complete Overhaul Repair Kit

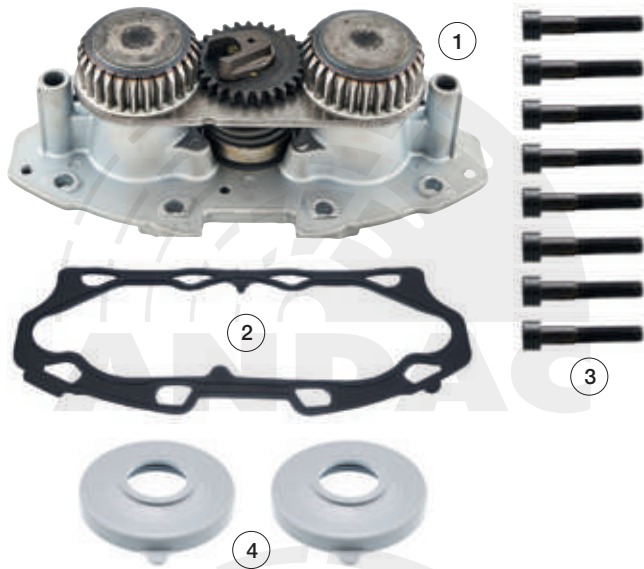
| | Name | Qty. | |
|----|------|------|--------------------------------|
| 1 | T761 | 1 | Lever |
| 2 | S25 | 2 | Lever Bearing |
| 3 | T128 | 2 | Pin |
| 4 | T260 | 1 | Calibration Mechanism Complete |
| 5 | K93 | 1 | Gasket |
| 6 | C53 | 8 | Screw M8x1,25x45mm |
| 7 | K23 | 2 | Dust Cover |
| 8 | T867 | 1 | Adjusting Gear |
| 9 | Y58 | 1 | Spring |
| 10 | K31 | 1 | Seal |
| 11 | R12 | 2 | Roller Bearing |
| 12 | K25 | 1 | Dust Cover |
| 13 | K86 | 1 | Seal |
| 14 | T786 | 1 | Guide Pin Ø35x102mm |
| 15 | C125 | 1 | Screw M18x1,5x103mm |
| 16 | T174 | 1 | Guide Pin Ø31x78mm |
| 17 | C33 | 1 | Screw M18x1,5x82mm |
| 18 | K24 | 2 | Boot |
| 19 | S11 | 2 | Ring |
| 20 | S278 | 1 | Metal Tap (44x18mm) |
| 21 | S3 | 1 | Metal Tap (40x18mm) |
| 22 | B8 | 1 | Bush |
| 23 | B3 | 2 | Bush |
| 24 | C49 | 4 | Screw M14x1,5x40mm |



MERITOR EX225+L

MERITOR EX225+L

| | | | |
|------------------------|-------------------|-------------|--------------------------------|
| ANDAC No | 0810 20143 | | |
| OE Reference No | | | |
| Application | EX225L | | |
| Description | | | |
| | Name | Qty. | |
| 1 | T260 | 1 | Calibration Mechanism Complete |
| 2 | K93 | 1 | Gasket |
| 3 | C53 | 8 | Screw M8x1,25x45mm |
| 4 | K23 | 2 | Dust Cover |



| | | | |
|------------------------|--------------------------|-------------|-------------------------------|
| ANDAC No | 0810 20145 | | |
| OE Reference No | | | |
| Application | EX225L | | |
| Description | Caliper Calibration Gear | | |
| | Name | Qty. | |
| 1 | T64 | 2 | Brake Lining Calibration Gear |



| | | | |
|------------------------|-----------------------------|-------------|---------------------|
| ANDAC No | 0810 20146 | | |
| OE Reference No | | | |
| Application | EX225L | | |
| Description | Caliper Adjusting Mechanism | | |
| | Name | Qty. | |
| 1 | T63 | 1 | Adjusting Mechanism |



| | | | |
|------------------------|------------------------|-------------|----------------|
| ANDAC No | 0810 20601 | | |
| OE Reference No | | | |
| Application | EX225L | | |
| Description | Caliper Adjusting Gear | | |
| | Name | Qty. | |
| 1 | T867 | 1 | Adjusting Gear |
| 2 | Y58 | 1 | Spring |



MERITOR
EX225+L

| | | | |
|------------------------|-------------|--------------------|---------------|
| ANDAC No | | 0810 20150 | |
| OE Reference No | | | |
| Application | | EX225L | |
| Description | | Caliper Repair Kit | |
| | Name | Qty. | |
| 1 | S31 | 2 | Bush |
| 2 | K51 | 2 | Triangle Seal |
| 3 | S32 | 2 | Ring |
| | | | |
| | | | |
| | | | |
| | | | |



MERITOR
EX225+L

| | | | |
|------------------------|-------------|------------------------------|----------------|
| ANDAC No | | 0810 20151 | |
| OE Reference No | | | |
| Application | | EX225L | |
| Description | | Caliper Mechanism Repair Kit | |
| | Name | Qty. | |
| 1 | S51 | 3 | Metal Sheet |
| 2 | S52 | 3 | Metal Sheet |
| 3 | B29 | 2 | Bush |
| 4 | S53 | 1 | Metal Sheet |
| 5 | P7 | 1 | Ground Bearing |
| 6 | P8 | 1 | Ring (Plastic) |
| 7 | S38 | 1 | Washer |
| | | | |
| | | | |
| | | | |



| | | | |
|------------------------|-------------|------------------------|------|
| ANDAC No | | 0810 20296 | |
| OE Reference No | | | |
| Application | | EX225L | |
| Description | | Caliper Mechanism Ring | |
| | Name | Qty. | |
| 1 | P11 | 2 | Ring |
| | | | |
| | | | |
| | | | |
| | | | |
| | | | |
| | | | |
| | | | |
| | | | |

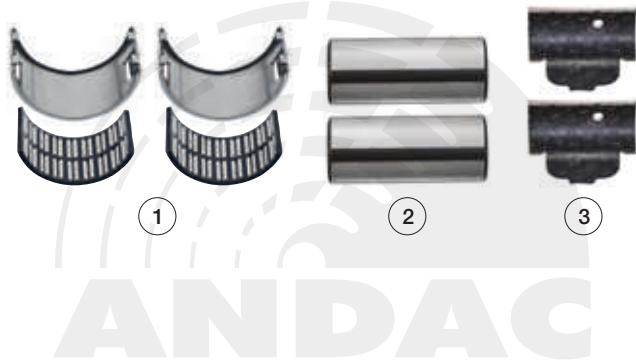


MERITOR EX225+L

| | | | |
|------------------------|-------------|------------------------|----------------|
| ANDAC No | | 0810 20212 | |
| OE Reference No | | | |
| Application | | EX225L | |
| Description | | Caliper Roller Bearing | |
| | Name | Qty. | |
| 1 | R12 | 2 | Roller Bearing |
| | | | |
| | | | |
| | | | |



| | | | |
|------------------------|-------------|----------------------------|----------------|
| ANDAC No | | 0810 20214 | |
| OE Reference No | | SJ4112 - 3092329 | |
| Application | | EX225L | |
| Description | | Caliper Roller Bearing Kit | |
| | Name | Qty. | |
| 1 | R12 | 2 | Roller Bearing |
| 2 | T128 | 2 | Pin |
| 3 | S25 | 2 | Lever Bearing |
| | | | |
| | | | |



MERITOR
EX225+L

| | | | |
|------------------------|-------------|------------------------------|---------------|
| ANDAC No | | 0810 20524 | |
| OE Reference No | | | |
| Application | | EX225L | |
| Description | | Caliper Lever (Left - Right) | |
| | Name | Qty. | |
| 1 | T761 | 1 | Lever |
| 2 | S25 | 2 | Lever Bearing |
| 3 | T128 | 2 | Pin |
| | | | |
| | | | |



| | | | |
|------------------------|-------------|-------------------|------|
| ANDAC No | | 0810 20341 | |
| OE Reference No | | SJ4053 | |
| Application | | EX225L | |
| Description | | Caliper Boot | |
| | Name | Qty. | |
| 1 | K24 | 2 | Boot |
| | | | |
| | | | |
| | | | |



MERITOR EX225+L

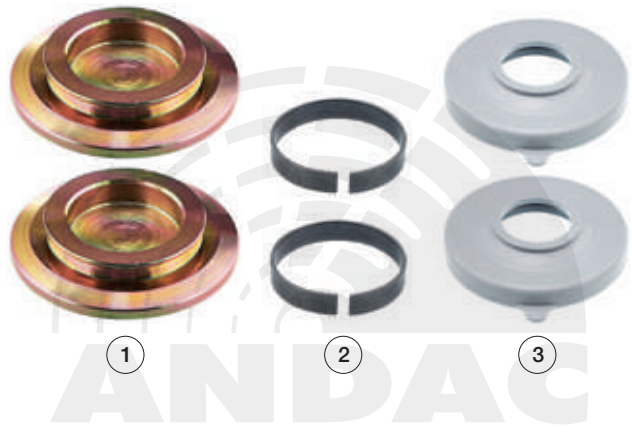
| | | |
|------------------------|---|-------------|
| ANDAC No | 0810 20229 | |
| OE Reference No | MCK1139 - 85107913 - 81508026024 - 68324854 | |
| Application | EX225L | |
| Description | Caliper Dust Cover | |
| | Name | Qty. |
| 1 | K23 | 2 |
| | | Dust Cover |



| | | |
|------------------------|--------------------|-------------|
| ANDAC No | 0810 20365 | |
| OE Reference No | 68324854PK10 | |
| Application | EX225L | |
| Description | Caliper Dust Cover | |
| | Name | Qty. |
| 1 | K23 | 10 |
| | | Dust Cover |



| | | |
|------------------------|----------------------|-------------|
| ANDAC No | 0810 20232 | |
| OE Reference No | MCK1309 - 5001866398 | |
| Application | EX225L | |
| Description | Caliper Repair Kit | |
| | Name | Qty. |
| 1 | T154 | 2 |
| 2 | S40 | 2 |
| 3 | K23 | 2 |
| | | Tappet |
| | | Piston Ring |
| | | Dust Cover |



| | | |
|------------------------|---------------------------|-------------|
| ANDAC No | 0810 20233 | |
| OE Reference No | | |
| Application | EX225L | |
| Description | Caliper Tappet Repair Kit | |
| | Name | Qty. |
| 1 | T154 | 2 |
| 2 | S40 | 2 |
| | | Tappet |
| | | Piston Ring |



MERITOR
EX225+L

MERITOR EX225+L

| | | | |
|------------------------|------|--------------------|----------------------|
| ANDAC No | | 0810 20534 | |
| OE Reference No | | | |
| Application | | EX225L | |
| Description | | Caliper Repair Kit | |
| | Name | Qty. | |
| 1 | T786 | 1 | Guide Pin Ø35x102mm |
| 2 | C125 | 1 | Screw M18x1,5x103mm |
| 3 | T174 | 1 | Guide Pin Ø31x78mm |
| 4 | C33 | 1 | Screw M18x1,5x82mm |
| 5 | K24 | 2 | Boot |
| 6 | S11 | 2 | Ring |
| 7 | S3 | 1 | Metal Tap (40x18mm) |
| 8 | S278 | 1 | Metal Tap (44x18mm) |
| 9 | B8 | 1 | Bush |
| 10 | B3 | 2 | Bush |



| | | | |
|------------------------|------|--------------------|----------------------|
| ANDAC No | | 0810 20537 | |
| OE Reference No | | 225277 | |
| Application | | EX225L | |
| Description | | Caliper Repair Kit | |
| | Name | Qty. | |
| 1 | T786 | 1 | Guide Pin Ø35x102mm |
| 2 | C125 | 1 | Screw M18x1,5x103mm |
| 3 | T174 | 1 | Guide Pin Ø31x78mm |
| 4 | C33 | 1 | Screw M18x1,5x82mm |
| 5 | K24 | 2 | Boot |
| 6 | S11 | 2 | Ring |
| 7 | S3 | 1 | Metal Tap (40x18mm) |
| 8 | S278 | 1 | Metal Tap (44x18mm) |
| 9 | B8 | 1 | Bush |
| 10 | B3 | 2 | Bush |
| 11 | K23 | 2 | Boot |
| 12 | C49 | 4 | Screw M14x1,5x40mm |



| | | | |
|------------------------|------|--------------------|------------|
| ANDAC No | | 0810 20258 | |
| OE Reference No | | | |
| Application | | EX225L | |
| Description | | Caliper Repair Kit | |
| | Name | Qty. | |
| 1 | K23 | 2 | Dust Cover |
| 2 | K24 | 2 | Boot |
| 3 | K25 | 1 | Dust Cover |
| 4 | K86 | 1 | Seal |



MERITOR
EX225+L

| | | | |
|------------------------|--|-------------|------------|
| ANDAC No | 0810 20338 | | |
| OE Reference No | | | |
| Application | EX225L | | |
| Description | Caliper Calibration Mechanism Gasket Kit | | |
| | Name | Qty. | |
| 1 | K93 | 1 | Gasket |
| 2 | K24 | 2 | Boot |
| 3 | K23 | 2 | Dust Cover |



| | | | |
|------------------------|--------------------------------------|-------------|--------|
| ANDAC No | 0810 20277 | | |
| OE Reference No | | | |
| Application | EX225L | | |
| Description | Caliper Calibration Mechanism Gasket | | |
| | Name | Qty. | |
| 1 | K93 | 1 | Gasket |



| | | | |
|------------------------|------------------------------|-------------|------------|
| ANDAC No | 0810 20278 | | |
| OE Reference No | 68322655PK10 | | |
| Application | EX225L | | |
| Description | Caliper Adjusting Dust Cover | | |
| | Name | Qty. | |
| 1 | K25 | 10 | Dust Cover |



| | | | |
|------------------------|-------------------|-------------|------|
| ANDAC No | 0810 20280 | | |
| OE Reference No | 68323746PK10 | | |
| Application | EX225L | | |
| Description | Caliper Seal | | |
| | Name | Qty. | |
| 1 | K86 | 10 | Seal |



MERITOR
EX225+L

MERITOR EX225+L

| | | | |
|------------------------|--------------------|-------------|------------|
| ANDAC No | 0810 20466 | | |
| OE Reference No | | | |
| Application | EX225L | | |
| Description | Caliper Repair Kit | | |
| | Name | Qty. | |
| 1 | S201 | 1 | Ring |
| 2 | K25 | 1 | Dust Cover |
| 3 | K31 | 1 | Seal |



| | | | |
|------------------------|--------------------------|-------------|---------------------|
| ANDAC No | 0810 20340 | | |
| OE Reference No | MCK1352 - MST1504 | | |
| Application | EX225L | | |
| Description | Caliper Adaptor Plug Kit | | |
| | Name | Qty. | |
| 1 | P44 | 1 | Plastic Plug |
| 2 | S120 | 1 | Plug Sheet |
| 3 | C52 | 1 | Screw M10x1,25x16mm |
| 4 | C23 | 1 | Screw M8x1,25x15mm |
| 5 | K31 | 1 | Seal |
| 6 | K120 | 2 | O-Ring |



| | | | |
|------------------------|---|-------------|-----------|
| ANDAC No | 0810 20525 | | |
| OE Reference No | MCK1296 - MCK1311 - 85109883 - KIT225207 - 225207 | | |
| Application | EX225L | | |
| Description | Caliper Pad Wear Assembly | | |
| | Name | Qty. | |
| 1 | T766 | 1 | Metal Pin |
| 2 | Y34 | 1 | Spring |

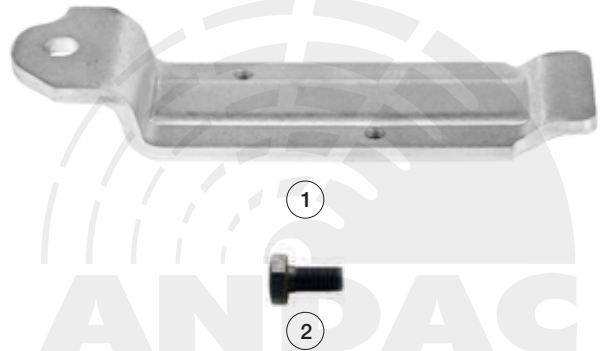


| | | | |
|------------------------|---|-------------|---------------------|
| ANDAC No | 0810 20292 | | |
| OE Reference No | MCK1174 - 5001858719 - 5001866486 - 85107958 - KIT225210 - 225210 | | |
| Application | EX225L | | |
| Description | Caliper Pad Retainer | | |
| | Name | Qty. | |
| 1 | S41 | 1 | Pad Retainer |
| 2 | C17 | 1 | Screw M10x1,25x20mm |



MERITOR
EX225+L

| | | | |
|------------------------|-------------|----------------------|---------------------|
| ANDAC No | | 0810 20602 | |
| OE Reference No | | KIT225270 | |
| Application | | EX225L | |
| Description | | Caliper Pad Retainer | |
| | Name | Qty. | |
| 1 | S305 | 1 | Pad Retainer |
| 2 | C17 | 1 | Screw M10x1,25x20mm |



| | | | |
|------------------------|-------------|----------------------|--------------|
| ANDAC No | | 0810 20597 | |
| OE Reference No | | | |
| Application | | EX225L | |
| Description | | Caliper Adaptor Plug | |
| | Name | Qty. | |
| 1 | P111 | 5 | Plasitc Plug |



| | | | |
|------------------------|-------------|---------------------|--------------------|
| ANDAC No | | 0810 20596 | |
| OE Reference No | | | |
| Application | | EX225L | |
| Description | | Caliper Sensor Plug | |
| | Name | Qty. | |
| 1 | K202 | 5 | Rubber sensor plug |



| | | | |
|------------------------|-------------|----------------------|----------------------|
| ANDAC No | | 0810 20598 | |
| OE Reference No | | 68323746PK10 | |
| Application | | EX225L | |
| Description | | Caliper Sensor Cover | |
| | Name | Qty. | |
| 1 | P112 | 1 | Caliper Sensor Cover |
| 2 | C23 | 1 | Screw M8x1.25x16mm |
| 3 | C52 | 1 | Screw M10x1.25x16mm |



MERITOR
EX225+L

MERITOR
ELSA 1



MERITOR
ELSA 1

ANDAC No 0810 20319

OE Reference No

Application ELSA 1

Description Caliper Complete Overhaul Repair Kit (Left)

| | Name | Qty. | |
|----|------|------|----------------------------|
| 1 | T46 | 1 | Guide Pin Ø35x135mm |
| 2 | C5 | 1 | Screw M20x1.5x150mm |
| 3 | T51 | 1 | Guide Pin Ø28.5x110mm |
| 4 | K54 | 1 | Rubber Bush |
| 5 | K24 | 2 | Boot |
| 6 | S6 | 2 | Metal Tap |
| 7 | B3 | 2 | Bush |
| 8 | T48 | 1 | Ring |
| 9 | T61 | 1 | Ring |
| 10 | K33 | 2 | Dust Cover |
| 11 | S22 | 1 | Locking Shim |
| 12 | CN4 | 1 | Gasket |
| 13 | R12 | 2 | Roller Bearing |
| 14 | Y53 | 1 | Spring |
| 15 | T151 | 1 | Adjusting Gear Sheet |
| 16 | T152 | 2 | Metal Cap |
| 17 | T58 | 2 | Adjusting Gear |
| 18 | T55 | 1 | Adjusting Mechanism Clutch |
| 19 | T227 | 1 | Spring Pin |
| 20 | T225 | 1 | Adjusting Gear |
| 21 | Y38 | 1 | Spring |
| 22 | Y2 | 1 | Spring |
| 23 | S77 | 1 | Spring Retainer |
| 24 | S78 | 1 | Pin Retainer |
| 25 | C65 | 2 | Screw |
| 26 | T232 | 1 | Lever |
| 27 | S25 | 2 | Lever Bearing |
| 28 | T128 | 2 | Pin |



MERITOR
ELSA 1

ANDAC No 0810 20320

OE Reference No

Application ELSA 1

Description Caliper Complete Overhaul Repair Kit (Right)

| | Name | Qty. | |
|----|------|------|----------------------------|
| 1 | T46 | 1 | Guide Pin Ø35x135mm |
| 2 | C5 | 1 | Screw M20x1.5x150mm |
| 3 | T51 | 1 | Guide Pin Ø28.5x110mm |
| 4 | K54 | 1 | Rubber Bush |
| 5 | K24 | 2 | Boot |
| 6 | S6 | 2 | Metal Tap |
| 7 | B3 | 2 | Bush |
| 8 | T48 | 1 | Ring |
| 9 | T61 | 1 | Ring |
| 10 | K33 | 2 | Dust Cover |
| 11 | S22 | 1 | Locking Shim |
| 12 | CN4 | 1 | Gasket |
| 13 | R12 | 2 | Roller Bearing |
| 14 | Y53 | 1 | Spring |
| 15 | T151 | 1 | Adjusting Gear Sheet |
| 16 | T152 | 2 | Metal Cap |
| 17 | T53 | 2 | Adjusting Gear |
| 18 | T54 | 1 | Adjusting Mechanism Clutch |
| 19 | T227 | 1 | Spring Pin |
| 20 | T225 | 1 | Adjusting Gear |
| 21 | Y38 | 1 | Spring |
| 22 | Y1 | 1 | Spring |
| 23 | S77 | 1 | Spring Retainer |
| 24 | S78 | 1 | Pin Retainer |
| 25 | C65 | 2 | Screw |
| 26 | T233 | 1 | Lever |
| 27 | S25 | 2 | Lever Bearing |
| 28 | T128 | 2 | Pin |



MERITOR
ELSA 1

ANDAC No 0810 20321

OE Reference No

Application ELSA 1

Description Caliper Complete Overhaul Repair Kit (Left)

| | Name | Qty. | |
|----|------|------|----------------------------|
| 1 | T46 | 1 | Guide Pin Ø35x135mm |
| 2 | C5 | 1 | Screw M20x1.5x150mm |
| 3 | T51 | 1 | Guide Pin Ø28.5x110mm |
| 4 | K54 | 1 | Rubber Bush |
| 5 | K24 | 2 | Boot |
| 6 | S6 | 2 | Metal Tap |
| 7 | B3 | 2 | Bush |
| 8 | T48 | 1 | Ring |
| 9 | T61 | 1 | Ring |
| 10 | K33 | 2 | Dust Cover |
| 11 | S22 | 1 | Locking Shim |
| 12 | CN6 | 1 | Gasket |
| 13 | R12 | 2 | Roller Bearing |
| 14 | Y53 | 1 | Spring |
| 15 | T226 | 1 | Adjusting Gear Sheet |
| 16 | T152 | 2 | Metal Cap |
| 17 | T239 | 2 | Adjusting Gear |
| 18 | T232 | 1 | Lever |
| 19 | S25 | 2 | Lever Bearing |
| 20 | T128 | 2 | Pin |
| 21 | Y2 | 1 | Spring |
| 22 | S77 | 1 | Spring Retainer |
| 23 | S78 | 1 | Pin Retainer |
| 24 | T227 | 1 | Spring Pin |
| 25 | C65 | 2 | Screw |
| 26 | T55 | 1 | Adjusting Mechanism Clutch |
| 27 | T225 | 1 | Adjusting Gear |
| 28 | Y38 | 1 | Spring |



MERITOR
ELSA 1

ANDAC No 0810 20322

OE Reference No

Application ELSA 1

Description Caliper Complete Overhaul Repair Kit (Right)

| | Name | Qty. | |
|----|------|------|----------------------------|
| 1 | T46 | 1 | Guide Pin Ø35x135mm |
| 2 | C5 | 1 | Screw M20x1.5x150mm |
| 3 | T51 | 1 | Guide Pin Ø28.5x110mm |
| 4 | K54 | 1 | Rubber Bush |
| 5 | K24 | 2 | Boot |
| 6 | S6 | 2 | Metal Tap |
| 7 | B3 | 2 | Bush |
| 8 | T48 | 1 | Ring |
| 9 | T61 | 1 | Ring |
| 10 | K33 | 2 | Dust Cover |
| 11 | S22 | 1 | Locking Shim |
| 12 | CN6 | 1 | Gasket |
| 13 | R12 | 2 | Roller Bearing |
| 14 | Y53 | 1 | Spring |
| 15 | T226 | 1 | Adjusting Gear Sheet |
| 16 | T152 | 2 | Metal Cap |
| 17 | T238 | 2 | Adjusting Gear |
| 18 | T233 | 1 | Lever |
| 19 | S25 | 2 | Lever Bearing |
| 20 | T128 | 2 | Pin |
| 21 | Y1 | 1 | Spring |
| 22 | S77 | 1 | Spring Retainer |
| 23 | S78 | 1 | Pin Retainer |
| 24 | T227 | 1 | Spring Pin |
| 25 | C65 | 2 | Screw |
| 26 | T54 | 1 | Adjusting Mechanism Clutch |
| 27 | T225 | 1 | Adjusting Gear |
| 28 | Y38 | 1 | Spring |



MERITOR ELSA 1

| | | | |
|------------------------|--------------------------------------|-------------|----------------|
| ANDAC No | 0810 20160 | | |
| OE Reference No | | | |
| Application | ELSA 1 | | |
| Description | Caliper Adjusting Gear (Right-35 mm) | | |
| | Name | Qty. | |
| 1 | T53 | 1 | Adjusting Gear |
| | | | |
| | | | |



| | | | |
|------------------------|-------------------------------------|-------------|----------------|
| ANDAC No | 0810 20161 | | |
| OE Reference No | | | |
| Application | ELSA 1 | | |
| Description | Caliper Adjusting Gear (Left-35 mm) | | |
| | Name | Qty. | |
| 1 | T58 | 1 | Adjusting Gear |
| | | | |
| | | | |



| | | | |
|------------------------|--|-------------|----------------------|
| ANDAC No | 0810 20162 | | |
| OE Reference No | | | |
| Application | ELSA 1 | | |
| Description | Caliper Adjusting Gear Kit (Right-35 mm) | | |
| | Name | Qty. | |
| 1 | T151 | 1 | Adjusting Gear Sheet |
| 2 | T152 | 2 | Metal Cap |
| 3 | T53 | 2 | Adjusting Gear |
| | | | |
| | | | |



| | | | |
|------------------------|---|-------------|----------------------|
| ANDAC No | 0810 20163 | | |
| OE Reference No | | | |
| Application | ELSA 1 | | |
| Description | Caliper Adjusting Gear Kit (Left-35 mm) | | |
| | Name | Qty. | |
| 1 | T151 | 1 | Adjusting Gear Sheet |
| 2 | T152 | 2 | Metal Cap |
| 3 | T58 | 2 | Adjusting Gear |
| | | | |
| | | | |



MERITOR
ELSA 1

MERITOR ELSA 1

| | | | |
|------------------------|------|--|----------------------|
| ANDAC No | | 0810 20164 | |
| OE Reference No | | | |
| Application | | ELSA 1 | |
| Description | | Caliper Adjusting Gear Kit (Right-35 mm) | |
| | Name | Qty. | |
| 1 | T151 | 1 | Adjusting Gear Sheet |
| 2 | T152 | 2 | Metal Cap |
| 3 | T53 | 2 | Adjusting Gear |
| 4 | T237 | 2 | Adjusting Gear Bush |



| | | | |
|------------------------|------|---|----------------------|
| ANDAC No | | 0810 20165 | |
| OE Reference No | | | |
| Application | | ELSA 1 | |
| Description | | Caliper Adjusting Gear Kit (Left-35 mm) | |
| | Name | Qty. | |
| 1 | T151 | 1 | Adjusting Gear Sheet |
| 2 | T152 | 2 | Metal Cap |
| 3 | T58 | 2 | Adjusting Gear |
| 4 | T237 | 2 | Adjusting Gear Bush |



| | | | |
|------------------------|------|--|----------------|
| ANDAC No | | 0810 20166 | |
| OE Reference No | | | |
| Application | | ELSA 1 | |
| Description | | Caliper Adjusting Gear (Right-37.5 mm) | |
| | Name | Qty. | |
| 1 | T238 | 1 | Adjusting Gear |



| | | | |
|------------------------|------|---------------------------------------|----------------|
| ANDAC No | | 0810 20167 | |
| OE Reference No | | | |
| Application | | ELSA 1 | |
| Description | | Caliper Adjusting Gear (Left-37.5 mm) | |
| | Name | Qty. | |
| 1 | T239 | 1 | Adjusting Gear |



MERITOR
ELSA 1

MERITOR ELSA 1

| | | | |
|------------------------|--|-------------|----------------------|
| ANDAC No | 0810 20168 | | |
| OE Reference No | | | |
| Application | ELSA 1 | | |
| Description | Caliper Adjusting Gear Kit (Right-37.5 mm) | | |
| | Name | Qty. | |
| 1 | T226 | 1 | Adjusting Gear Sheet |
| 2 | T152 | 2 | Metal Cap |
| 3 | T238 | 2 | Adjusting Gear |



| | | | |
|------------------------|---|-------------|----------------------|
| ANDAC No | 0810 20169 | | |
| OE Reference No | | | |
| Application | ELSA 1 | | |
| Description | Caliper Adjusting Gear Kit (Left-37.5 mm) | | |
| | Name | Qty. | |
| 1 | T226 | 1 | Adjusting Gear Sheet |
| 2 | T152 | 2 | Metal Cap |
| 3 | T239 | 2 | Adjusting Gear |



| | | | |
|------------------------|--|-------------|----------------------|
| ANDAC No | 0810 20170 | | |
| OE Reference No | | | |
| Application | ELSA 1 | | |
| Description | Caliper Adjusting Gear Kit (Right-37.5 mm) | | |
| | Name | Qty. | |
| 1 | T226 | 1 | Adjusting Gear Sheet |
| 2 | T152 | 2 | Metal Cap |
| 3 | T238 | 2 | Adjusting Gear |
| 4 | T240 | 2 | Adjusting Gear Bush |



| | | | |
|------------------------|---|-------------|----------------------|
| ANDAC No | 0810 20171 | | |
| OE Reference No | | | |
| Application | ELSA 1 | | |
| Description | Caliper Adjusting Gear Kit (Left-37.5 mm) | | |
| | Name | Qty. | |
| 1 | T226 | 1 | Adjusting Gear Sheet |
| 2 | T152 | 2 | Metal Cap |
| 3 | T239 | 2 | Adjusting Gear |
| 4 | T240 | 2 | Adjusting Gear Bush |



MERITOR
ELSA 1

MERITOR ELSA 1

| | | | |
|------------------------|---|-------------|----------------------|
| ANDAC No | 0810 20851 | | |
| OE Reference No | | | |
| Application | ELSA 1 | | |
| Description | Caliper Adjusting Gear Kit (Left-35 mm) | | |
| | Name | Qty. | |
| 1 | T151 | 1 | Adjusting Gear Sheet |
| 2 | T152 | 2 | Metal Cap |
| 3 | T58 | 2 | Adjusting Gear |
| 4 | Y53 | 1 | Spring |



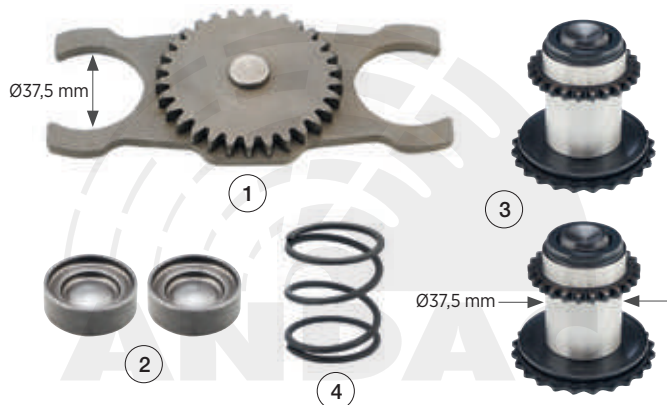
| | | | |
|------------------------|--|-------------|----------------------|
| ANDAC No | 0810 20976 | | |
| OE Reference No | | | |
| Application | ELSA 1 | | |
| Description | Caliper Adjusting Gear Kit (Right-35 mm) | | |
| | Name | Qty. | |
| 1 | T151 | 1 | Adjusting Gear Sheet |
| 2 | T152 | 2 | Metal Cap |
| 3 | T53 | 2 | Adjusting Gear |
| 4 | Y53 | 1 | Spring |



| | | | |
|------------------------|---|-------------|----------------------|
| ANDAC No | 0810 20978 | | |
| OE Reference No | | | |
| Application | ELSA 1 | | |
| Description | Caliper Adjusting Gear Kit (Left-37.5 mm) | | |
| | Name | Qty. | |
| 1 | T226 | 1 | Adjusting Gear Sheet |
| 2 | T152 | 2 | Metal Cap |
| 3 | T239 | 2 | Adjusting Gear |
| 4 | Y53 | 1 | Spring |



| | | | |
|------------------------|--|-------------|----------------------|
| ANDAC No | 0810 20979 | | |
| OE Reference No | | | |
| Application | ELSA 1 | | |
| Description | Caliper Adjusting Gear Kit (Right-37.5 mm) | | |
| | Name | Qty. | |
| 1 | T226 | 1 | Adjusting Gear Sheet |
| 2 | T152 | 2 | Metal Cap |
| 3 | T238 | 2 | Adjusting Gear |
| 4 | Y53 | 1 | Spring |



MERITOR
ELSA 1

MERITOR ELSA 1

| | | | |
|------------------------|-------------|-------------------------------------|---------------------|
| ANDAC No | | 0810 20172 | |
| OE Reference No | | | |
| Application | | ELSA 1 | |
| Description | | Caliper Adjusting Gear Bush (35 mm) | |
| | Name | Qty. | |
| 1 | T237 | 1 | Adjusting Gear Bush |
| | | | |
| | | | |



| | | | |
|------------------------|-------------|---------------------------------------|---------------------|
| ANDAC No | | 0810 20173 | |
| OE Reference No | | | |
| Application | | ELSA 1 | |
| Description | | Caliper Adjusting Gear Bush (37.5 mm) | |
| | Name | Qty. | |
| 1 | T240 | 1 | Adjusting Gear Bush |
| | | | |
| | | | |



| | | | |
|------------------------|-------------|-------------------|--------|
| ANDAC No | | 0810 20375 | |
| OE Reference No | | | |
| Application | | ELSA 1 | |
| Description | | Caliper Spring | |
| | Name | Qty. | |
| 1 | Y53 | 1 | Spring |
| | | | |
| | | | |



| | | | |
|------------------------|-------------|-------------------------------------|----------------------------|
| ANDAC No | | 0810 20174 | |
| OE Reference No | | | |
| Application | | ELSA 1 | |
| Description | | Caliper Adjusting Mechanism (Right) | |
| | Name | Qty. | |
| 1 | T54 | 1 | Adjusting Mechanism Clutch |
| 2 | T227 | 1 | Spring Pin |
| | | | |
| | | | |



MERITOR
ELSA 1

MERITOR ELSA 1

| | | | |
|------------------------|-------------|------------------------------------|----------------------------|
| ANDAC No | | 0810 20175 | |
| OE Reference No | | | |
| Application | | ELSA 1 | |
| Description | | Caliper Adjusting Mechanism (Left) | |
| | Name | Qty. | |
| 1 | T55 | 1 | Adjusting Mechanism Clutch |
| 2 | T227 | 1 | Spring Pin |



| | | | |
|------------------------|-------------|----------------------------|----------------|
| ANDAC No | | 0810 20176 | |
| OE Reference No | | | |
| Application | | ELSA 1 | |
| Description | | Caliper Adjusting Gear Kit | |
| | Name | Qty. | |
| 1 | T225 | 1 | Adjusting Gear |
| 2 | Y38 | 1 | Spring |



| | | | |
|------------------------|-------------|--|----------------------------|
| ANDAC No | | 0810 20177 | |
| OE Reference No | | | |
| Application | | ELSA 1 | |
| Description | | Caliper Adjusting Mechanism Repair Kit (Right) | |
| | Name | Qty. | |
| 1 | T54 | 1 | Adjusting Mechanism Clutch |
| 2 | T227 | 1 | Spring Pin |
| 3 | T225 | 1 | Adjusting Gear |
| 4 | Y38 | 1 | Spring |



| | | | |
|------------------------|-------------|---|----------------------------|
| ANDAC No | | 0810 20178 | |
| OE Reference No | | | |
| Application | | ELSA 1 | |
| Description | | Caliper Adjusting Mechanism Repair Kit (Left) | |
| | Name | Qty. | |
| 1 | T55 | 1 | Adjusting Mechanism Clutch |
| 2 | T227 | 1 | Spring Pin |
| 3 | T225 | 1 | Adjusting Gear |
| 4 | Y38 | 1 | Spring |



MERITOR ELSA 1

| | | | |
|------------------------|-------------------------------------|-------------|----------------------------|
| ANDAC No | 0810 20413 | | |
| OE Reference No | | | |
| Application | ELSA 1 | | |
| Description | Caliper Adjusting Mechanism (Right) | | |
| | Name | Qty. | |
| 1 | T494 | 1 | Adjusting Mechanism Clutch |
| 2 | T227 | 1 | Spring Pin |
| 3 | S128 | 1 | Mechanism Retainer |
| 4 | C65 | 1 | Screw |



| | | | |
|------------------------|------------------------------------|-------------|----------------------------|
| ANDAC No | 0810 20414 | | |
| OE Reference No | | | |
| Application | ELSA 1 | | |
| Description | Caliper Adjusting Mechanism (Left) | | |
| | Name | Qty. | |
| 1 | T495 | 1 | Adjusting Mechanism Clutch |
| 2 | T227 | 1 | Spring Pin |
| 3 | S128 | 1 | Mechanism Retainer |
| 4 | C65 | 1 | Screw |



| | | | |
|------------------------|----------------------------|-------------|----------------|
| ANDAC No | 0810 20415 | | |
| OE Reference No | | | |
| Application | ELSA 1 | | |
| Description | Caliper Adjusting Gear Kit | | |
| | Name | Qty. | |
| 1 | T496 | 1 | Adjusting Gear |
| 2 | Y49 | 1 | Spring |



| | | | |
|------------------------|--|-------------|----------------------------|
| ANDAC No | 0810 20416 | | |
| OE Reference No | | | |
| Application | ELSA 1 | | |
| Description | Caliper Adjusting Mechanism Repair Kit (Right) | | |
| | Name | Qty. | |
| 1 | T494 | 1 | Adjusting Mechanism Clutch |
| 2 | T227 | 1 | Spring Pin |
| 3 | T496 | 1 | Adjusting Gear |
| 4 | Y49 | 1 | Spring |
| 5 | S128 | 1 | Mechanism Retainer |
| 6 | C65 | 1 | Screw |



MERITOR
ELSA 1

MERITOR ELSA 1

| | | | |
|------------------------|------|---|----------------------------|
| ANDAC No | | 0810 20417 | |
| OE Reference No | | MCK1212 | |
| Application | | ELSA 1 | |
| Description | | Caliper Adjusting Mechanism Repair Kit (Left) | |
| | Name | Qty. | |
| 1 | T495 | 1 | Adjusting Mechanism Clutch |
| 2 | T227 | 1 | Spring Pin |
| 3 | T496 | 1 | Adjusting Gear |
| 4 | Y49 | 1 | Spring |
| 5 | S128 | 1 | Mechanism Retainer |
| 6 | C65 | 1 | Screw |



| | | | |
|------------------------|------|-------------------------------------|----------------------|
| ANDAC No | | 0810 20179 | |
| OE Reference No | | | |
| Application | | ELSA 1 | |
| Description | | Caliper Adjusting Gear Sheet (35mm) | |
| | Name | Qty. | |
| 1 | T151 | 1 | Adjusting Gear Sheet |



| | | | |
|------------------------|------|---------------------------------------|----------------------|
| ANDAC No | | 0810 20180 | |
| OE Reference No | | | |
| Application | | ELSA 1 | |
| Description | | Caliper Adjusting Gear Sheet (37.5mm) | |
| | Name | Qty. | |
| 1 | T226 | 1 | Adjusting Gear Sheet |



| | | | |
|------------------------|------|-------------------|-----------|
| ANDAC No | | 0810 20181 | |
| OE Reference No | | | |
| Application | | ELSA 1 | |
| Description | | Caliper Metal Cap | |
| | Name | Qty. | |
| 1 | T152 | 2 | Metal Cap |



MERITOR ELSA 1

| | | |
|------------------------|-------------------------------------|-------------------|
| ANDAC No | 0810 20182 | |
| OE Reference No | | |
| Application | ELSA 1 | |
| Description | Caliper Spring Retainer Kit (Right) | |
| | Name | Qty. |
| 1 | Y1 | 1 Spring |
| 2 | S77 | 1 Spring Retainer |
| 3 | S78 | 1 Pin Retainer |
| 4 | T227 | 1 Spring Pin |
| 5 | C65 | 2 Screw |



| | | |
|------------------------|------------------------|-------------|
| ANDAC No | 0810 20183 | |
| OE Reference No | | |
| Application | ELSA 1 | |
| Description | Caliper Spring (Right) | |
| | Name | Qty. |
| 1 | Y1 | 1 Spring |
| | | |
| | | |
| | | |



| | | |
|------------------------|------------------------------------|-------------------|
| ANDAC No | 0810 20184 | |
| OE Reference No | | |
| Application | ELSA 1 | |
| Description | Caliper Spring Retainer Kit (Left) | |
| | Name | Qty. |
| 1 | Y2 | 1 Spring |
| 2 | S77 | 1 Spring Retainer |
| 3 | S78 | 1 Pin Retainer |
| 4 | T227 | 1 Spring Pin |
| 5 | C65 | 2 Screw |



| | | |
|------------------------|-----------------------|-------------|
| ANDAC No | 0810 20185 | |
| OE Reference No | | |
| Application | ELSA 1 | |
| Description | Caliper Spring (Left) | |
| | Name | Qty. |
| 1 | Y2 | 1 Spring |
| | | |
| | | |
| | | |



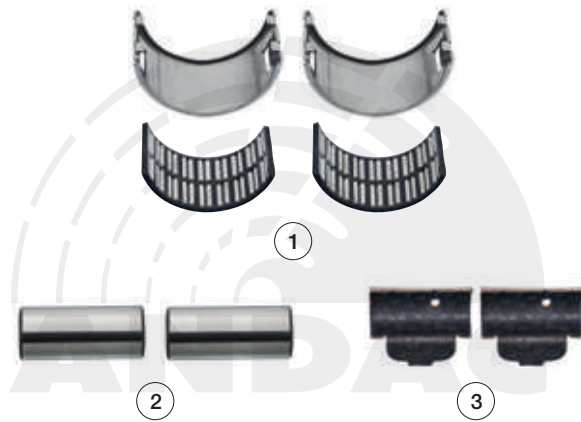
MERITOR
ELSA 1

MERITOR ELSA 1

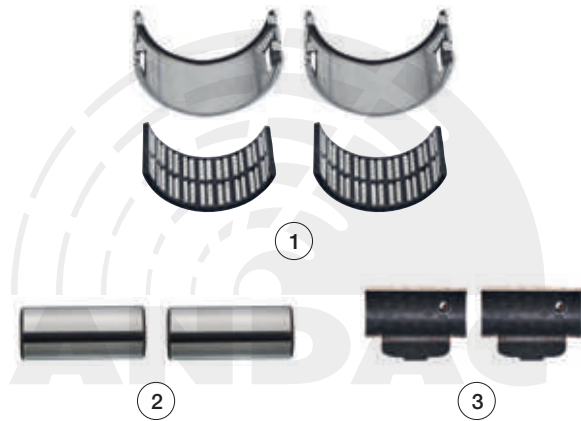
| ANDAC No | | 0810 20212 | |
|-----------------|------|------------------------|--|
| OE Reference No | | | |
| Application | | ELSA 1 | |
| Description | | Caliper Roller Bearing | |
| Name | Qty. | | |
| 1 R12 | 2 | Roller Bearing | |
| | | | |
| | | | |
| | | | |



| ANDAC No | | 0810 20214 | |
|-----------------|------|-------------------------------------|--|
| OE Reference No | | SJ4112 - 3092329 | |
| Application | | ELSA 1 | |
| Description | | Caliper Adjusting Gear Sheet (35mm) | |
| Name | Qty. | | |
| 1 R12 | 2 | Roller Bearing | |
| 2 T128 | 2 | Pin | |
| 3 S25 | 2 | Lever Bearing | |
| | | | |
| | | | |



| ANDAC No | | 0810 20213 | |
|-----------------|------|------------------|--|
| OE Reference No | | SJ4098 - 3092261 | |
| Application | | ELSA 1 RADIAL | |
| Description | | | |
| Name | Qty. | | |
| 1 R12 | 2 | Roller Bearing | |
| 2 T128 | 2 | Pin | |
| 3 S29 | 2 | Lever Bearing | |
| | | | |
| | | | |



| ANDAC No | | 0810 20222 | |
|-----------------|------|----------------------|--|
| OE Reference No | | | |
| Application | | ELSA 1 | |
| Description | | Caliper Lever (Left) | |
| Name | Qty. | | |
| 1 T232 | 1 | Lever | |
| 2 S25 | 2 | Lever Bearing | |
| 3 T128 | 2 | Pin | |
| | | | |
| | | | |



MERITOR ELSA 1

| | | | |
|------------------------|-------------|-----------------------|---------------|
| ANDAC No | | 0810 20223 | |
| OE Reference No | | | |
| Application | | ELSA 1 | |
| Description | | Caliper Lever (Right) | |
| | Name | Qty. | |
| 1 | T233 | 1 | Lever |
| 2 | S25 | 2 | Lever Bearing |
| 3 | T128 | 2 | Pin |



| | | | |
|------------------------|-------------|-------------------|------|
| ANDAC No | | 0810 20341 | |
| OE Reference No | | SJ4053 | |
| Application | | ELSA 1 | |
| Description | | Caliper Boot | |
| | Name | Qty. | |
| 1 | K24 | 2 | Boot |



| | | | |
|------------------------|-------------|----------------------|------------|
| ANDAC No | | 0810 20230 | |
| OE Reference No | | ST1156 - 81508026016 | |
| Application | | ELSA 1 | |
| Description | | Caliper Dust Cover | |
| | Name | Qty. | |
| 1 | K33 | 2 | Dust Cover |



MERITOR
ELSA 1



MERITOR ELSA 1

| | | | |
|------------------------|-------------|--------------------|---------------------|
| ANDAC No | | 0810 20323 | |
| OE Reference No | | | |
| Application | | ELSA 1 | |
| Description | | Caliper Repair Kit | |
| | Name | Qty. | |
| 1 | T46 | 1 | Guide Pin Ø35x135mm |
| 2 | C5 | 1 | Screw M20x1.5x150mm |
| 3 | T47 | 1 | Guide Pin Ø35x72mm |
| 4 | C6 | 1 | Screw M20x1.5x 90mm |
| 5 | B7 | 1 | Bush |
| 6 | T126 | 2 | Ring |
| 7 | K24 | 2 | Boot |
| 8 | S6 | 2 | Metal Tap |
| 9 | T48 | 2 | Ring |
| 10 | B3 | 2 | Bush |
| 11 | K33 | 2 | Dust Cover |



MERITOR
ELSA 1

| | | | |
|------------------------|-------------|---|---------------------|
| ANDAC No | | 0810 20244 | |
| OE Reference No | | MCK1102 - 81508026017 - 81508026020 - 81508026021 | |
| Application | | ELSA 1 | |
| Description | | Caliper Repair Kit | |
| | Name | Qty. | |
| 1 | T46 | 1 | Guide Pin Ø35x135mm |
| 2 | C5 | 1 | Screw M20x1.5x150mm |
| 3 | T47 | 1 | Guide Pin Ø35x72mm |
| 4 | C6 | 1 | Screw M20x1.5x 90mm |
| 5 | B7 | 1 | Bush |
| 6 | T126 | 2 | Ring |
| 7 | K24 | 2 | Boot |
| 8 | S6 | 2 | Metal Tap |
| 9 | T48 | 2 | Ring |
| 10 | B3 | 2 | Bush |



MERITOR ELSA 1

| | | | |
|------------------------|-------------|--------------------|-----------------------|
| ANDAC No | | 0810 20324 | |
| OE Reference No | | | |
| Application | | ELSA 1 | |
| Description | | Caliper Repair Kit | |
| | Name | Qty. | |
| 1 | T46 | 1 | Guide Pin Ø35x135mm |
| 2 | C5 | 1 | Screw M20x1.5x150mm |
| 3 | T51 | 1 | Guide Pin Ø28,5x110mm |
| 4 | K54 | 1 | Rubber Bush |
| 5 | K24 | 2 | Boot |
| 6 | S6 | 2 | Metal Tap |
| 7 | B3 | 2 | Bush |
| 8 | T48 | 1 | Ring |
| 9 | T61 | 1 | Ring |
| 10 | K33 | 2 | Dust Cover |



MERITOR
ELSA 1

| | | | |
|------------------------|-------------|-----------------------|-----------------------|
| ANDAC No | | 0810 20245 | |
| OE Reference No | | MCK1103 - 81508026022 | |
| Application | | ELSA 1 | |
| Description | | Caliper Repair Kit | |
| | Name | Qty. | |
| 1 | T46 | 1 | Guide Pin Ø35x135mm |
| 2 | C5 | 1 | Screw M20x1,5x150mm |
| 3 | T51 | 1 | Guide Pin Ø28,5x110mm |
| 4 | K54 | 1 | Rubber Bush |
| 5 | K24 | 2 | Boot |
| 6 | S6 | 2 | Metal Tap |
| 7 | B3 | 2 | Bush |
| 8 | T48 | 1 | Ring |
| 9 | T61 | 1 | Ring |

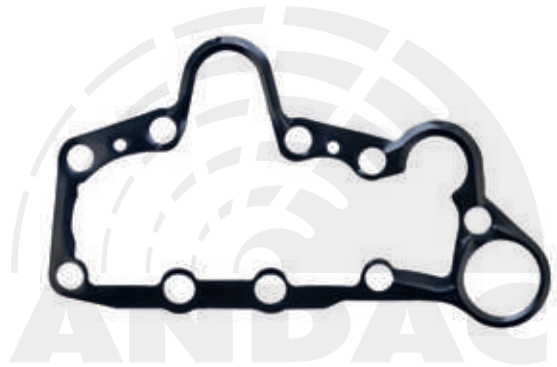


MERITOR ELSA 1

| | | | |
|--------------------|------|----------------------------|--------|
| ANDAC No | | 0810 20281 | |
| OE Reference No | | | |
| Application | | ELSA 1 | |
| Description | | Caliper Cover Plate Gasket | |
| | Name | Qty. | |
| 1 | CN4 | 1 | Gasket |



| | | | |
|--------------------|------|----------------------------|--------|
| ANDAC No | | 0810 20282 | |
| OE Reference No | | | |
| Application | | ELSA 1 | |
| Description | | Caliper Cover Plate Gasket | |
| | Name | Qty. | |
| 1 | CN5 | 1 | Gasket |



| | | | |
|--------------------|------|----------------------------|--------|
| ANDAC No | | 0810 20283 | |
| OE Reference No | | | |
| Application | | ELSA 1 | |
| Description | | Caliper Cover Plate Gasket | |
| | Name | Qty. | |
| 1 | CN6 | 1 | Gasket |



| | | | |
|--------------------|------|-------------------------------|--------------|
| ANDAC No | | 0810 20346 | |
| OE Reference No | | | |
| Application | | ELSA 1 | |
| Description | | Caliper Mechanism Gear (Left) | |
| | Name | Qty. | |
| 1 | P42 | 1 | Plastic Gear |



MERITOR
ELSA 1

MERITOR ELSA 1

| | | | |
|------------------------|-------------|--------------------------------|--------------|
| ANDAC No | | 0810 20347 | |
| OE Reference No | | 68322563PK | |
| Application | | ELSA 1 | |
| Description | | Caliper Mechanism Gear (Right) | |
| | Name | Qty. | |
| 1 | P43 | 1 | Plastic Gear |



| | | | |
|------------------------|-------------|--------------------|------------|
| ANDAC No | | 0810 20291 | |
| OE Reference No | | 68322300PK | |
| Application | | ELSA 1 | |
| Description | | Caliper Repair Kit | |
| | Name | Qty. | |
| 1 | K41 | 1 | Rubber Tap |
| 2 | K31 | 1 | Seal |
| 3 | T117 | 1 | Bush |



| | | | |
|------------------------|-------------|----------------------|--------------|
| ANDAC No | | 0810 20262 | |
| OE Reference No | | 68321678PK | |
| Application | | ELSA 1 | |
| Description | | Caliper Locking Shim | |
| | Name | Qty. | |
| 1 | S22 | 1 | Locking Shim |



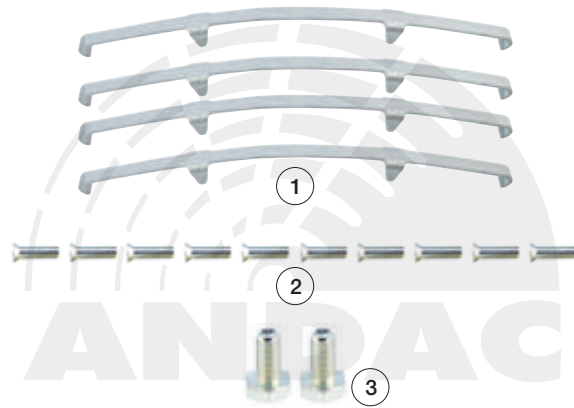
| | | | |
|------------------------|-------------|----------------------|---------------------|
| ANDAC No | | 0810 20293 | |
| OE Reference No | | MCK1262 | |
| Application | | ELSA 1 | |
| Description | | Caliper Pad Retainer | |
| | Name | Qty. | |
| 1 | S82 | 1 | Pad Retainer |
| 2 | C17 | 1 | Screw M10x1,25x20mm |



MERITOR
ELSA 1

MERITOR ELSA 1

| | | | |
|------------------------|-------------|-------------------|--------------------|
| ANDAC No | | 0810 20498 | |
| OE Reference No | | WVA 29083 | |
| Application | | ELSA 1 | |
| Description | | Pad Retainer Kit | |
| | Name | Qty. | |
| 1 | S205 | 4 | Retention Spring |
| 2 | T623 | 10 | Detent Pin |
| 3 | C57 | 2 | Screw M10x1,5x20mm |





MERITOR ELSA 1

MERITOR
ELSA 1

MERITOR
LISA



MERITOR
LISA

ANDAC No 0810 20317
OE Reference No
Application D LISA (LEFT)
Description Caliper Complete Overhaul Repair Kit

| | Name | Qty. | |
|----|------|------|---------------------|
| 1 | T148 | 1 | Adjusting Shaft |
| 2 | T145 | 1 | Housing |
| 3 | R3 | 3 | Ball Bearing |
| 4 | T147 | 1 | Pin |
| 5 | HR1 | 1 | Grease Nipple |
| 6 | R1 | 1 | Bearing |
| 7 | B33 | 1 | Bush |
| 8 | T150 | 1 | Metal Sheet |
| 9 | R2 | 1 | Bearing |
| 10 | S183 | 1 | Outer Ring |
| 11 | CN1 | 1 | Gasket |
| 12 | K24 | 2 | Boot |
| 13 | S36 | 1 | Metal Ring |
| 14 | K74 | 1 | Seal 40x57x4.5mm |
| 15 | K75 | 1 | Boot |
| 16 | K76 | 1 | Seal |
| 17 | T71 | 1 | Guide Pin Ø35x131mm |
| 18 | C5 | 1 | Screw M20x1,5x150mm |
| 19 | T72 | 1 | Guide Pin Ø35x79mm |
| 20 | C18 | 1 | Screw M20x1,5x100mm |
| 21 | S8 | 2 | Metal Tap |
| 22 | T170 | 2 | Ring |
| 23 | B9 | 1 | Bush |
| 24 | B3 | 2 | Bush |
| 25 | T76 | 1 | Adjusting Mechanism |
| 26 | Y16 | 1 | Spring |
| 27 | K71 | 1 | Boot |
| 28 | T74 | 1 | Adjusting Gear |
| 29 | Y22 | 1 | Spring |



ANDAC No **0810 20318**
OE Reference No
Application **D LISA (RIGHT)**
Description **Caliper Complete Overhaul Repair Kit**

| | Name | Qty. | |
|----|------|------|---------------------|
| 1 | T144 | 1 | Adjusting Shaft |
| 2 | T149 | 1 | Housing |
| 3 | R3 | 3 | Ball Bearing |
| 4 | T147 | 1 | Pin |
| 5 | HR1 | 1 | Grease Nipple |
| 6 | R1 | 1 | Bearing |
| 7 | B33 | 1 | Bush |
| 8 | T150 | 1 | Metal Sheet |
| 9 | R2 | 1 | Bearing |
| 10 | S183 | 1 | Outer Ring |
| 11 | CN1 | 1 | Gasket |
| 12 | K24 | 2 | Boot |
| 13 | S36 | 1 | Metal Ring |
| 14 | K74 | 1 | Seal 40x57x4.5mm |
| 15 | K75 | 1 | Boot |
| 16 | K76 | 1 | Seal |
| 17 | T71 | 1 | Guide Pin Ø35x131mm |
| 18 | C5 | 1 | Screw M20x1,5x150mm |
| 19 | T72 | 1 | Guide Pin Ø35x79mm |
| 20 | C18 | 1 | Screw M20x1,5x100mm |
| 21 | S8 | 2 | Metal Tap |
| 22 | T170 | 2 | Ring |
| 23 | B9 | 1 | Bush |
| 24 | B3 | 2 | Bush |
| 25 | T75 | 1 | Adjusting Mechanism |
| 26 | Y16 | 1 | Spring |
| 27 | K71 | 1 | Boot |
| 28 | T73 | 1 | Adjusting Gear |
| 29 | Y22 | 1 | Spring |



ANDAC No 0810 20873

OE Reference No

Application D LISA

Description Caliper Complete Overhaul Repair Kit - Left

| | Name | Qty. | |
|----|------|------|---------------------|
| 1 | T148 | 1 | Adjusting Shaft |
| 2 | T145 | 1 | Housing |
| 3 | R3 | 3 | Ball Bearing |
| 4 | T147 | 1 | Pin |
| 5 | HR1 | 1 | Grease Nipple |
| 6 | R1 | 1 | Bearing |
| 7 | B33 | 1 | Bush |
| 8 | T150 | 1 | Metal Sheet |
| 9 | R2 | 1 | Bearing |
| 10 | S183 | 1 | Outer Ring |
| 11 | CN1 | 1 | Gasket |
| 12 | K24 | 2 | Boot |
| 13 | S36 | 1 | Metal Ring |
| 14 | K74 | 1 | Seal 40x57x4.5mm |
| 15 | K75 | 1 | Boot |
| 16 | K76 | 1 | Seal |
| 17 | T71 | 1 | Guide Pin Ø35x131mm |
| 18 | C5 | 1 | Screw M20x1,5x150mm |
| 19 | T72 | 1 | Guide Pin Ø35x79mm |
| 20 | C18 | 1 | Screw M20x1,5x100mm |
| 21 | S8 | 2 | Metal Tap |
| 22 | T170 | 2 | Ring |
| 23 | B9 | 1 | Bush |
| 24 | B3 | 2 | Bush |
| 25 | T76 | 1 | Adjusting Mechanism |
| 26 | Y16 | 1 | Spring |
| 27 | K71 | 1 | Boot |
| 28 | T74 | 1 | Adjusting Gear |
| 29 | Y22 | 1 | Spring |
| 30 | T236 | 1 | Push Plate |



MERITOR LISA

| ANDAC No | | 0810 20872 | |
|-----------------|------|--|--|
| OE Reference No | | | |
| Application | | D LISA | |
| Description | | Caliper Complete Overhaul Repair Kit - Right | |
| Name | Qty. | | |
| 1 T144 | 1 | Adjusting Shaft | |
| 2 T149 | 1 | Housing | |
| 3 R3 | 3 | Ball Bearing | |
| 4 T147 | 1 | Pin | |
| 5 HR1 | 1 | Grease Nipple | |
| 6 R1 | 1 | Bearing | |
| 7 B33 | 1 | Bush | |
| 8 T150 | 1 | Metal Sheet | |
| 9 R2 | 1 | Bearing | |
| 10 S183 | 1 | Outer Ring | |
| 11 CN1 | 1 | Gasket | |
| 12 K24 | 2 | Boot | |
| 13 S36 | 1 | Metal Ring | |
| 14 K74 | 1 | Seal 40x57x4.5mm | |
| 15 K75 | 1 | Boot | |
| 16 K76 | 1 | Seal | |
| 17 T71 | 1 | Guide Pin Ø35x131mm | |
| 18 C5 | 1 | Screw M20x1,5x150mm | |
| 19 T72 | 1 | Guide Pin Ø35x79mm | |
| 20 C18 | 1 | Screw M20x1,5x100mm | |
| 21 S8 | 2 | Metal Tap | |
| 22 T170 | 2 | Ring | |
| 23 B9 | 1 | Bush | |
| 24 B3 | 2 | Bush | |
| 25 T75 | 1 | Adjusting Mechanism | |
| 26 Y16 | 1 | Spring | |
| 27 K71 | 1 | Boot | |
| 28 T73 | 1 | Adjusting Gear | |
| 29 Y22 | 1 | Spring | |
| 30 T236 | 1 | Push Plate | |



| | | | |
|------------------------|------------------------------------|-------------|---------------------|
| ANDAC No | 0810 20186 | | |
| OE Reference No | SJ4113 - 3092763 | | |
| Application | C LISA - D LISA | | |
| Description | Caliper Adjusting Mechanism (Left) | | |
| | Name | Qty. | |
| 1 | T76 | 1 | Adjusting Mechanism |
| 2 | Y16 | 1 | Spring |
| 3 | K71 | 1 | Boot |



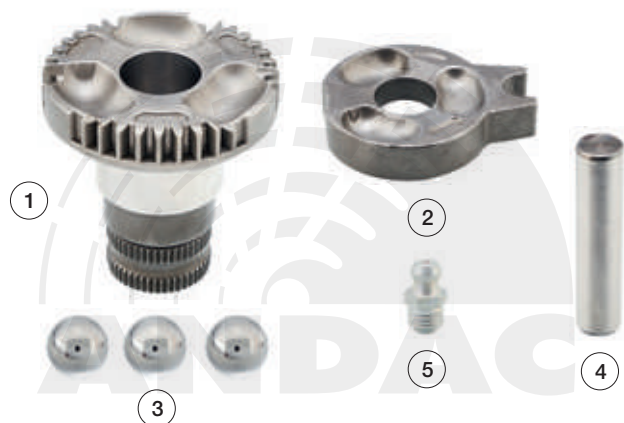
| | | | |
|------------------------|-------------------------------------|-------------|---------------------|
| ANDAC No | 0810 20187 | | |
| OE Reference No | SJ4114 - 3092764 | | |
| Application | C LISA - D LISA | | |
| Description | Caliper Adjusting Mechanism (Right) | | |
| | Name | Qty. | |
| 1 | T75 | 1 | Adjusting Mechanism |
| 2 | Y16 | 1 | Spring |
| 3 | K71 | 1 | Boot |



| | | | |
|------------------------|-----------------------------------|-------------|-----------------|
| ANDAC No | 0810 20188 | | |
| OE Reference No | MCK1151 - MCK1021 - 85104827 | | |
| Application | C LISA - D LISA | | |
| Description | Caliper Adjusting Gear Kit (Left) | | |
| | Name | Qty. | |
| 1 | T148 | 1 | Adjusting Shaft |
| 2 | T145 | 1 | Housing |
| 3 | R3 | 3 | Ball Bearing |
| 4 | T147 | 1 | Pin |
| 5 | HR1 | 1 | Grease Nipple |



| | | | |
|------------------------|------------------------------------|-------------|-----------------|
| ANDAC No | 0810 20189 | | |
| OE Reference No | MCK1152 - MCK1022 - 85104828 | | |
| Application | C LISA - D LISA | | |
| Description | Caliper Adjusting Gear Kit (Right) | | |
| | Name | Qty. | |
| 1 | T144 | 1 | Adjusting Shaft |
| 2 | T149 | 1 | Housing |
| 3 | R3 | 3 | Ball Bearing |
| 4 | T147 | 1 | Pin |
| 5 | HR1 | 1 | Grease Nipple |



MERITOR LISA

| | | | |
|-----------------|------|---------------------------------|-----------------|
| ANDAC No | | 0810 20190 | |
| OE Reference No | | | |
| Application | | C LISA - D LISA | |
| Description | | Caliper Adjusting Shaft (Right) | |
| | Name | Qty. | |
| 1 | T144 | 1 | Adjusting Shaft |
| 2 | HR1 | 1 | Grease Nipple |



| | | | |
|-----------------|------|--------------------------------|-----------------|
| ANDAC No | | 0810 20191 | |
| OE Reference No | | | |
| Application | | C LISA - D LISA | |
| Description | | Caliper Adjusting Shaft (Left) | |
| | Name | Qty. | |
| 1 | T148 | 1 | Adjusting Shaft |
| 2 | HR1 | 1 | Grease Nipple |



| | | | |
|-----------------|------|------------------------|---------|
| ANDAC No | | 0810 20192 | |
| OE Reference No | | | |
| Application | | C LISA - D LISA | |
| Description | | Caliper Housing (Left) | |
| | Name | Qty. | |
| 1 | T145 | 1 | Housing |



| | | | |
|-----------------|------|-------------------------|---------|
| ANDAC No | | 0810 20193 | |
| OE Reference No | | | |
| Application | | C LISA - D LISA | |
| Description | | Caliper Housing (Right) | |
| | Name | Qty. | |
| 1 | T149 | 1 | Housing |



| | | | |
|------------------------|---|-------------|-------------|
| ANDAC No | 0810 20194 | | |
| OE Reference No | SJ4031 - 8550893 - 69029760 - 6553778 - 6553779 | | |
| Application | C LISA - D LISA | | |
| Description | Caliper Bearing Kit | | |
| | Name | Qty. | |
| 1 | R1 | 1 | Bearing |
| 2 | B33 | 1 | Bush |
| 3 | T150 | 1 | Metal Sheet |
| 4 | R2 | 1 | Bearing |
| 5 | S183 | 1 | Outer Ring |



| | | | |
|------------------------|---------------------|-------------|------------------|
| ANDAC No | 0810 20195 | | |
| OE Reference No | | | |
| Application | C LISA - D LISA | | |
| Description | Caliper Bearing Kit | | |
| | Name | Qty. | |
| 1 | R1 | 1 | Bearing |
| 2 | B33 | 1 | Bush |
| 3 | T150 | 1 | Metal Sheet |
| 4 | R2 | 1 | Bearing |
| 5 | K74 | 1 | Seal 40x57x4.5mm |
| 6 | K76 | 1 | Seal |



| | | | |
|------------------------|----------------------|-------------|--------------|
| ANDAC No | 0810 20196 | | |
| OE Reference No | | | |
| Application | C LISA - D LISA | | |
| Description | Caliper Ball Bearing | | |
| | Name | Qty. | |
| 1 | R3 | 1 | Ball Bearing |
| | | | |
| | | | |
| | | | |



| | | | |
|------------------------|----------------------------|-------------|----------------|
| ANDAC No | 0810 20197 | | |
| OE Reference No | | | |
| Application | C LISA - D LISA | | |
| Description | Caliper Gear Small (Right) | | |
| | Name | Qty. | |
| 1 | T73 | 1 | Adjusting Gear |
| | | | |
| | | | |
| | | | |



MERITOR LISA

| | | | |
|------------------------|-------------|---------------------------|----------------|
| ANDAC No | | 0810 20198 | |
| OE Reference No | | | |
| Application | | C LISA - D LISA | |
| Description | | Caliper Gear Small (Left) | |
| | Name | Qty. | |
| 1 | T74 | 1 | Adjusting Gear |
| | | | |
| | | | |



| | | | |
|------------------------|-------------|----------------------------|----------------|
| ANDAC No | | 0810 20199 | |
| OE Reference No | | SJ4074 - 3098111 | |
| Application | | C LISA - D LISA | |
| Description | | Caliper Gear Small (Right) | |
| | Name | Qty. | |
| 1 | T73 | 1 | Adjusting Gear |
| 2 | Y22 | 1 | Spring |
| | | | |
| | | | |



| | | | |
|------------------------|-------------|---------------------------|----------------|
| ANDAC No | | 0810 20200 | |
| OE Reference No | | SJ4073 - 3098110 | |
| Application | | C LISA - D LISA | |
| Description | | Caliper Gear Small (Left) | |
| | Name | Qty. | |
| 1 | T74 | 1 | Adjusting Gear |
| 2 | Y22 | 1 | Spring |
| | | | |
| | | | |



| | | | |
|------------------------|-------------|-------------------|--------|
| ANDAC No | | 0810 20375 | |
| OE Reference No | | | |
| Application | | LISA | |
| Description | | Caliper Spring | |
| | Name | Qty. | |
| 1 | Y53 | 1 | Spring |
| | | | |
| | | | |



| | | | |
|------------------------|------|-------------------|---------|
| ANDAC No | | 0810 20228 | |
| OE Reference No | | SJ4077 - 3098109 | |
| Application | | C LISA - D LISA | |
| Description | | Caliper Boot Kit | |
| | Name | Qty. | |
| 1 | K24 | 2 | Bearing |
| 2 | K73 | 2 | Bush |



| | | | |
|------------------------|------|-------------------|------|
| ANDAC No | | 0810 20374 | |
| OE Reference No | | SJ4053 | |
| Application | | C LISA | |
| Description | | Caliper Boot | |
| | Name | Qty. | |
| 1 | K73 | 2 | Boot |



| | | | |
|------------------------|------|---------------------|---------------------|
| ANDAC No | | 0810 20242 | |
| OE Reference No | | SJ4052 - 5001845385 | |
| Application | | C LISA | |
| Description | | Caliper Repair Kit | |
| | Name | Qty. | |
| 1 | T189 | 1 | Guide Pin Ø30x115mm |
| 2 | C41 | 1 | Screw M18x1,5x135mm |
| 3 | T190 | 1 | Guide Pin Ø30x75mm |
| 4 | C42 | 1 | Screw M18x1,5x95mm |
| 5 | B31 | 1 | Bush |
| 6 | S55 | 1 | Metal Tap |
| 7 | K73 | 2 | Boot |
| 8 | T191 | 2 | Ring |
| 9 | P20 | 2 | Bush |
| 10 | S56 | 1 | Metal Tap |



| | | | |
|------------------------|--|-------------|---------------------|
| ANDAC No | 0810 20243 | | |
| OE Reference No | SJ4076 - MCK1104 5001837006 - 3098108 | | |
| Application | D LISA | | |
| Description | Caliper Repair Kit | | |
| | Name | Qty. | |
| 1 | T71 | 1 | Guide Pin Ø35x131mm |
| 2 | C5 | 1 | Screw M20x1,5x150mm |
| 3 | T72 | 1 | Guide Pin Ø35x79mm |
| 4 | C18 | 1 | Screw M20x1,5x100mm |
| 5 | K24 | 2 | Boot |
| 6 | S8 | 2 | Metal Tap |
| 7 | T170 | 2 | Ring |
| 8 | B9 | 1 | Bush |
| 9 | B3 | 2 | Bush |



| | | | |
|------------------------|--------------------|-------------|--------|
| ANDAC No | 0810 20357 | | |
| OE Reference No | SJ4032 | | |
| Application | C LISA - D LISA | | |
| Description | Caliper Repair Kit | | |
| | Name | Qty. | |
| 1 | CN1 | 1 | Gasket |
| 2 | K71 | 1 | Boot |
| 3 | K72 | 1 | O-Ring |
| 4 | K73 | 2 | Boot |
| 5 | K24 | 2 | Boot |
| 6 | K75 | 1 | Boot |



| | | |
|------------------------|----------------------------|--------------------|
| ANDAC No | 0810 20251 | |
| OE Reference No | SJ4078 - 3098113 - 3097526 | |
| Application | C LISA - D LISA | |
| Description | Caliper Repair Kit | |
| | Name | Qty. |
| 1 | CN1 | 1 Gasket |
| 2 | K71 | 1 Boot |
| 3 | K72 | 1 O-Ring |
| 4 | K73 | 2 Boot |
| 5 | K24 | 2 Boot |
| 6 | S36 | 1 Metal Ring |
| 7 | K74 | 1 Seal 40x57x4.5mm |
| 8 | K75 | 1 Boot |
| 9 | K76 | 1 Seal |
| 10 | HR1 | 1 Grease Nipple |



| | | |
|------------------------|--------------------|--------------------|
| ANDAC No | 0810 20252 | |
| OE Reference No | SJ4061 | |
| Application | C LISA | |
| Description | Caliper Repair Kit | |
| | Name | Qty. |
| 1 | CN1 | 1 Gasket |
| 2 | K71 | 1 Boot |
| 3 | K72 | 1 O-Ring |
| 4 | K73 | 2 Boot |
| 5 | S36 | 1 Metal Ring |
| 6 | K74 | 1 Seal 40x57x4.5mm |
| 7 | K75 | 1 Boot |
| 8 | K76 | 1 Seal |



| | | |
|------------------------|--------------------|-----------------------|
| ANDAC No | 0810 20326 | |
| OE Reference No | SJ4021 - 8550881 | |
| Application | D LISA | |
| Description | Caliper Repair Kit | |
| | Name | Qty. |
| 1 | C5 | 1 Screw M20x1.5x150mm |
| 2 | C18 | 1 Screw M20x1.5x100mm |
| 3 | S8 | 2 Metal Tap |



1



2



3

MERITOR LISA

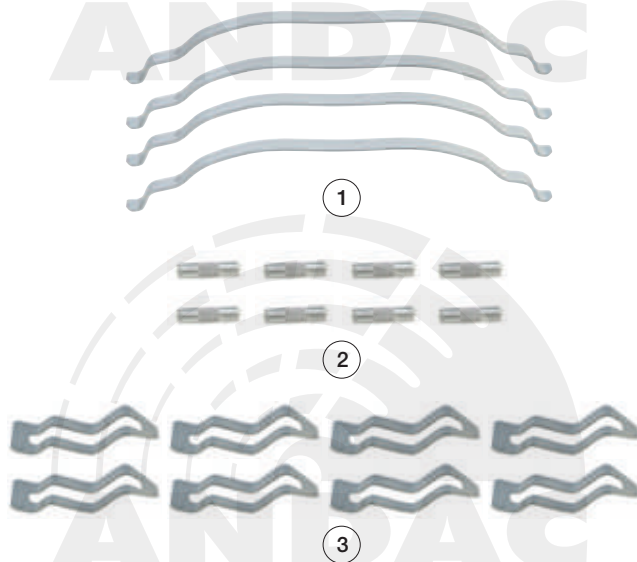
| | | | |
|------------------------|-------------|---------------------|-------|
| ANDAC No | | 0810 20285 | |
| OE Reference No | | 68915080 - 68915081 | |
| Application | | C LISA - D LISA | |
| Description | | Caliper Lever | |
| | Name | Qty. | |
| 1 | T258 | 1 | Lever |
| 2 | C55 | 1 | Screw |



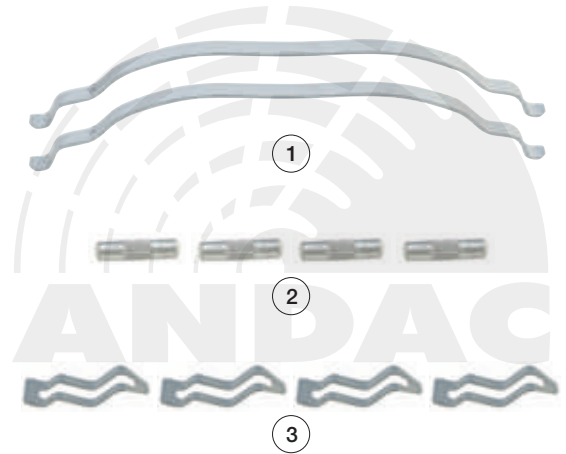
| | | | |
|------------------------|-------------|-----------------------------|------------|
| ANDAC No | | 0810 20286 | |
| OE Reference No | | SJ4117 - 3092765- 683211441 | |
| Application | | D LISA | |
| Description | | Caliper Push Plate | |
| | Name | Qty. | |
| 1 | T236 | 1 | Push Plate |



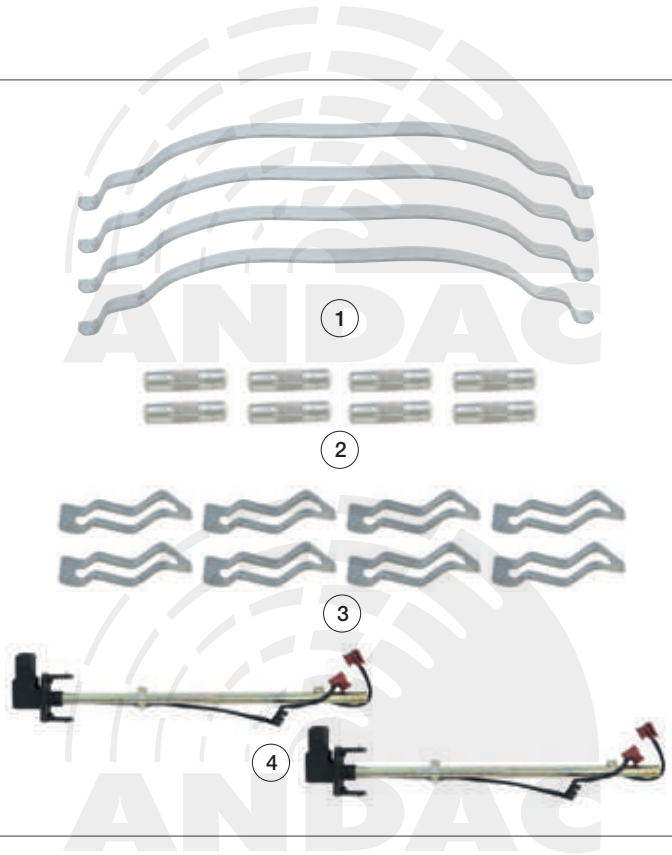
| | | | |
|------------------------|-------------|------------------------------|------------------|
| ANDAC No | | 0810 20412 | |
| OE Reference No | | WVA 29090 - 3093919 - MBA101 | |
| Application | | D LISA | |
| Description | | Pad Retainer Kit | |
| | Name | Qty. | |
| 1 | S206 | 4 | Retention Spring |
| 2 | T622 | 8 | Cotter Pin |
| 3 | S207 | 8 | Washer |



| | | | |
|------------------------|-------------|---------------------|------------------|
| ANDAC No | | 0810 20493 | |
| OE Reference No | | WVA 29090 - 3093919 | |
| Application | | D LISA | |
| Description | | Pad Retainer Kit | |
| | Name | Qty. | |
| 1 | S206 | 2 | Retention Spring |
| 2 | T622 | 4 | Cotter Pin |
| 3 | S207 | 4 | Washer |
| | | | |
| | | | |
| | | | |
| | | | |



| | | | |
|------------------------|-------------|------------------------------|------------------|
| ANDAC No | | 0810 20492 | |
| OE Reference No | | WVA 29090 - 3093919 - MBA101 | |
| Application | | D LISA | |
| Description | | Pad Indicator Kit | |
| | Name | Qty. | |
| 1 | S206 | 4 | Retention Spring |
| 2 | T622 | 8 | Cotter Pin |
| 3 | S207 | 8 | Washer |
| 4 | KB004 | 2 | Indicator Cable |
| | | | |
| | | | |
| | | | |
| | | | |



**MERITOR
D3**



MERITOR
D3

ANDAC No 0810 20937

OE Reference No

Application D3

Description Caliper Overhaul Repair Kit (Left 26 Thread)

| Name | Qty. | |
|------|------|------------------------------|
| 1 | T156 | 1 Shaft Short (26 Thread) |
| 2 | T161 | 1 Housing |
| 3 | R6 | 1 Roller Bearing |
| 4 | P9 | 1 Dust Cover |
| 5 | R7 | 1 Roller Bearing |
| 6 | S59 | 1 Wavy Washer |
| 7 | Y48 | 1 Torsion Spring |
| 8 | T271 | 1 Housing |
| 9 | S95 | 4 Washer |
| 10 | S96 | 3 Washer |
| 11 | S65 | 1 Cover |
| 12 | C47 | 4 Screw M8x40mm |
| 13 | P13 | 1 Dust Cover |
| 14 | C48 | 2 Screw M8x15mm |
| 15 | B36 | 1 Bush |
| 16 | T193 | 1 Caliper Gear |
| 17 | Y43 | 1 Torsion Spring |
| 18 | S94 | 1 Wavy Washer |
| 19 | K35 | 1 Rubber Cap |
| 20 | T270 | 1 Adjuster Bolt M10x1.5x50mm |
| 21 | T44 | 1 Adjusting Gear |



MERITOR D3

ANDAC No 0810 20933

OE Reference No

Application D3

Description Caliper Overhaul Repair Kit (Right 26 Thread)

| | Name | Qty. | |
|----|------|------|----------------------------|
| 1 | T155 | 1 | Shaft Short (26 Thread) |
| 2 | T162 | 1 | Housing |
| 3 | R6 | 1 | Roller Bearing |
| 4 | P9 | 1 | Dust Cover |
| 5 | R7 | 1 | Roller Bearing |
| 6 | S59 | 1 | Wavy Washer |
| 7 | Y47 | 1 | Torsion Spring |
| 8 | T271 | 1 | Housing |
| 9 | S95 | 4 | Washer |
| 10 | S96 | 3 | Washer |
| 11 | S65 | 1 | Cover |
| 12 | C47 | 4 | Screw M8x40mm |
| 13 | P13 | 1 | Dust Cover |
| 14 | C48 | 2 | Screw M8x15mm |
| 15 | B36 | 1 | Bush |
| 16 | T193 | 1 | Caliper Gear |
| 17 | Y42 | 1 | Torsion Spring |
| 18 | S94 | 1 | Wavy Washer |
| 19 | K35 | 1 | Rubber Cap |
| 20 | T270 | 1 | Adjuster Bolt M10x1.5x50mm |
| 21 | T45 | 1 | Adjusting Gear |



ANDAC No 0810 20870

OE Reference No

Application D3

Description Caliper Overhaul Repair Kit (Left 48 Thread)

| | Name | Qty. | |
|----|------|------|----------------------------|
| 1 | T158 | 1 | Shaft Short (48 Thread) |
| 2 | T161 | 1 | Housing |
| 3 | R6 | 1 | Roller Bearing |
| 4 | P9 | 1 | Dust Cover |
| 5 | R7 | 1 | Roller Bearing |
| 6 | S59 | 1 | Wavy Washer |
| 7 | Y48 | 1 | Torsion Spring |
| 8 | T271 | 1 | Housing |
| 9 | S95 | 4 | Washer |
| 10 | S96 | 3 | Washer |
| 11 | S65 | 1 | Cover |
| 12 | C47 | 4 | Screw M8x40mm |
| 13 | P13 | 1 | Dust Cover |
| 14 | C48 | 2 | Screw M8x15mm |
| 15 | B36 | 1 | Bush |
| 16 | T193 | 1 | Caliper Gear |
| 17 | Y43 | 1 | Torsion Spring |
| 18 | S94 | 1 | Wavy Washer |
| 19 | K35 | 1 | Rubber Cap |
| 20 | T270 | 1 | Adjuster Bolt M10x1.5x50mm |
| 21 | T44 | 1 | Adjusting Gear |



MERITOR
D3

| ANDAC No | | 0810 20887 | |
|-----------------|------|---|--|
| OE Reference No | | | |
| Application | | D3 | |
| Description | | Caliper Overhaul Repair Kit (Right 48 Thread) | |
| Name | Qty. | | |
| 1 T157 | 1 | Shaft Short (48 Thread) | |
| 2 T162 | 1 | Housing | |
| 3 R6 | 1 | Roller Bearing | |
| 4 P9 | 1 | Dust Cover | |
| 5 R7 | 1 | Roller Bearing | |
| 6 S59 | 1 | Wavy Washer | |
| 7 Y47 | 1 | Torsion Spring | |
| 8 T271 | 1 | Housing | |
| 9 S95 | 4 | Washer | |
| 10 S96 | 3 | Washer | |
| 11 S65 | 1 | Cover | |
| 12 C47 | 4 | Screw M8x40mm | |
| 13 P13 | 1 | Dust Cover | |
| 14 C48 | 2 | Screw M8x15mm | |
| 15 B36 | 1 | Bush | |
| 16 T193 | 1 | Caliper Gear | |
| 17 Y42 | 1 | Torsion Spring | |
| 18 S94 | 1 | Wavy Washer | |
| 19 K35 | 1 | Rubber Cap | |
| 20 T270 | 1 | Adjuster Bolt M10x1.5x50mm | |
| 21 T45 | 1 | Adjusting Gear | |



ANDAC No 0810 20869

| | |
|------------------------|---|
| OE Reference No | |
| Application | D3 |
| Description | Caliper Overhaul Repair Kit (Left 48 Thread) |

| | Name | Qty. | |
|----|------|------|----------------------------|
| 1 | T158 | 1 | Shaft Short (48 Thread) |
| 2 | T161 | 1 | Housing |
| 3 | R6 | 1 | Roller Bearing |
| 4 | P9 | 1 | Dust Cover |
| 5 | R7 | 1 | Roller Bearing |
| 6 | S59 | 1 | Wavy Washer |
| 7 | Y48 | 1 | Torsion Spring |
| 8 | T271 | 1 | Housing |
| 9 | S95 | 4 | Washer |
| 10 | S96 | 3 | Washer |
| 11 | S65 | 1 | Cover |
| 12 | C47 | 4 | Screw M8x40mm |
| 13 | P13 | 1 | Dust Cover |
| 14 | C48 | 2 | Screw M8x15mm |
| 15 | B36 | 1 | Bush |
| 16 | T193 | 1 | Caliper Gear |
| 17 | Y43 | 1 | Torsion Spring |
| 18 | S94 | 1 | Wavy Washer |
| 19 | K35 | 1 | Rubber Cap |
| 20 | T270 | 1 | Adjuster Bolt M10x1.5x50mm |
| 21 | T44 | 1 | Adjusting Gear |
| 22 | K32 | 2 | Dust Cover |
| 23 | S37 | 2 | Metal Tap (61x20mm) |
| 24 | B26 | 2 | Bush |
| 25 | B27 | 1 | Bush |
| 26 | S42 | 2 | Metal Tap (37x12mm) |
| 27 | T42 | 1 | Guide Pin Ø32x117mm |
| 28 | T43 | 1 | Guide Pin Ø32x73mm |
| 29 | C32 | 1 | Screw M18x1,5x120mm |
| 30 | C42 | 1 | Screw M18x1,5x95mm |
| 31 | K174 | 1 | Shaft Seal |
| 32 | SK28 | 1 | Snap Ring |
| 33 | S117 | 1 | Locking Shim |
| 34 | T410 | 1 | Spring Plate |
| 35 | Y54 | 1 | Spring |
| 36 | T667 | 1 | Caliper Lever |
| 37 | T125 | 1 | Push Plate |



| | |
|-----------------|-------------------|
| ANDAC No | 0810 20868 |
|-----------------|-------------------|

| | |
|------------------------|--|
| OE Reference No | |
|------------------------|--|

| | |
|--------------------|-----------|
| Application | D3 |
|--------------------|-----------|

| | |
|--------------------|--|
| Description | Caliper Overhaul Repair Kit (Right 48 Thread) |
|--------------------|--|

| | Name | Qty. | |
|----|------|------|----------------------------|
| 1 | T157 | 1 | Shaft Short (48 Thread) |
| 2 | T162 | 1 | Housing |
| 3 | R6 | 1 | Roller Bearing |
| 4 | P9 | 1 | Dust Cover |
| 5 | R7 | 1 | Roller Bearing |
| 6 | S59 | 1 | Wavy Washer |
| 7 | Y47 | 1 | Torsion Spring |
| 8 | T271 | 1 | Housing |
| 9 | S95 | 4 | Washer |
| 10 | S96 | 3 | Washer |
| 11 | S65 | 1 | Cover |
| 12 | C47 | 4 | Screw M8x40mm |
| 13 | P13 | 1 | Dust Cover |
| 14 | C48 | 2 | Screw M8x15mm |
| 15 | B36 | 1 | Bush |
| 16 | T193 | 1 | Caliper Gear </td |
| 17 | Y42 | 1 | Torsion Spring |
| 18 | S94 | 1 | Wavy Washer |
| 19 | K35 | 1 | Rubber Cap |
| 20 | T270 | 1 | Adjuster Bolt M10x1.5x50mm |
| 21 | T45 | 1 | Adjusting Gear |
| 22 | K32 | 2 | Dust Cover |
| 23 | S37 | 2 | Metal Tap (61x20mm) |
| 24 | B26 | 2 | Bush |
| 25 | B27 | 1 | Bush |
| 26 | S42 | 2 | Metal Tap (37x12mm) |
| 27 | T42 | 1 | Guide Pin Ø32x117mm |
| 28 | T43 | 1 | Guide Pin Ø32x73mm |
| 29 | C32 | 1 | Screw M18x1,5x120mm |
| 30 | C42 | 1 | Screw M18x1,5x95mm |
| 31 | K174 | 1 | Shaft Seal |
| 32 | SK28 | 1 | Snap Ring |
| 33 | S117 | 1 | Locking Shim |
| 34 | T410 | 1 | Spring Plate |
| 35 | Y54 | 1 | Spring |
| 36 | T667 | 1 | Caliper Lever |
| 37 | T125 | 1 | Push Plate |



ANDAC No 0810 20867

| | |
|------------------------|---|
| OE Reference No | |
| Application | D3 |
| Description | Caliper Overhaul Repair Kit (Left 26 Thread) |

| | Name | Qty. | |
|----|------|------|----------------------------|
| 1 | T156 | 1 | Shaft Short (26 Thread) |
| 2 | T161 | 1 | Housing |
| 3 | R6 | 1 | Roller Bearing |
| 4 | P9 | 1 | Dust Cover |
| 5 | R7 | 1 | Roller Bearing |
| 6 | S59 | 1 | Wavy Washer |
| 7 | Y48 | 1 | Torsion Spring |
| 8 | T271 | 1 | Housing |
| 9 | S95 | 4 | Washer |
| 10 | S96 | 3 | Washer |
| 11 | S65 | 1 | Cover |
| 12 | C47 | 4 | Screw M8x40mm |
| 13 | P13 | 1 | Dust Cover |
| 14 | C48 | 2 | Screw M8x15mm |
| 15 | B36 | 1 | Bush |
| 16 | T193 | 1 | Caliper Gear </td |
| 17 | Y43 | 1 | Torsion Spring |
| 18 | S94 | 1 | Wavy Washer |
| 19 | K35 | 1 | Rubber Cap |
| 20 | T270 | 1 | Adjuster Bolt M10x1.5x50mm |
| 21 | T44 | 1 | Adjusting Gear |
| 22 | K32 | 2 | Dust Cover |
| 23 | S37 | 2 | Metal Tap (61x20mm) |
| 24 | B26 | 2 | Bush |
| 25 | B27 | 1 | Bush |
| 26 | S42 | 2 | Metal Tap (37x12mm) |
| 27 | T42 | 1 | Guide Pin Ø32x117mm |
| 28 | T43 | 1 | Guide Pin Ø32x73mm |
| 29 | C32 | 1 | Screw M18x1,5x120mm |
| 30 | C42 | 1 | Screw M18x1,5x95mm |
| 31 | K174 | 1 | Shaft Seal |
| 32 | SK28 | 1 | Snap Ring |
| 33 | S117 | 1 | Locking Shim |
| 34 | T410 | 1 | Spring Plate |
| 35 | Y54 | 1 | Spring |
| 36 | T667 | 1 | Caliper Lever |
| 37 | T125 | 1 | Push Plate |



ANDAC No 0810 20866

OE Reference No

Application D3

Description Caliper Overhaul Repair Kit (Right 26 Thread)

| | Name | Qty. | |
|----|------|------|----------------------------|
| 1 | T155 | 1 | Shaft Short (26 Thread) |
| 2 | T162 | 1 | Housing |
| 3 | R6 | 1 | Roller Bearing |
| 4 | P9 | 1 | Dust Cover |
| 5 | R7 | 1 | Roller Bearing |
| 6 | S59 | 1 | Wavy Washer |
| 7 | Y47 | 1 | Torsion Spring |
| 8 | T271 | 1 | Housing |
| 9 | S95 | 4 | Washer |
| 10 | S96 | 3 | Washer |
| 11 | S65 | 1 | Cover |
| 12 | C47 | 4 | Screw M8x40mm |
| 13 | P13 | 1 | Dust Cover |
| 14 | C48 | 2 | Screw M8x15mm |
| 15 | B36 | 1 | Bush |
| 16 | T193 | 1 | Caliper Gear |
| 17 | Y42 | 1 | Torsion Spring |
| 18 | S94 | 1 | Wavy Washer |
| 19 | K35 | 1 | Rubber Cap |
| 20 | T270 | 1 | Adjuster Bolt M10x1.5x50mm |
| 21 | T45 | 1 | Adjusting Gear |
| 22 | K32 | 2 | Dust Cover |
| 23 | S37 | 2 | Metal Tap (61x20mm) |
| 24 | B26 | 2 | Bush |
| 25 | B27 | 1 | Bush |
| 26 | S42 | 2 | Metal Tap (37x12mm) |
| 27 | T42 | 1 | Guide Pin Ø32x117mm |
| 28 | T43 | 1 | Guide Pin Ø32x73mm |
| 29 | C32 | 1 | Screw M18x1,5x120mm |
| 30 | C42 | 1 | Screw M18x1,5x95mm |
| 31 | K174 | 1 | Shaft Seal |
| 32 | SK28 | 1 | Snap Ring |
| 33 | S117 | 1 | Locking Shim |
| 34 | T410 | 1 | Spring Plate |
| 35 | Y54 | 1 | Spring |
| 36 | T667 | 1 | Caliper Lever |
| 37 | T125 | 1 | Push Plate |



ANDAC No 0810 20865
OE Reference No
Application D3
Description Caliper Overhaul Repair Kit (Left 26 Thread)

| | Name | Qty. | |
|----|------|------|----------------------------|
| 1 | T160 | 1 | Shaft Long (26 Thread) |
| 2 | T161 | 1 | Housing |
| 3 | R6 | 1 | Roller Bearing |
| 4 | P9 | 1 | Dust Cover |
| 5 | R7 | 1 | Roller Bearing |
| 6 | S59 | 1 | Wavy Washer |
| 7 | Y48 | 1 | Torsion Spring |
| 8 | T271 | 1 | Housing |
| 9 | S95 | 4 | Washer |
| 10 | S96 | 3 | Washer |
| 11 | S65 | 1 | Cover |
| 12 | C47 | 4 | Screw M8x40mm |
| 13 | P13 | 1 | Dust Cover |
| 14 | C48 | 2 | Screw M8x15mm |
| 15 | B36 | 1 | Bush |
| 16 | T193 | 1 | Caliper Gear |
| 17 | Y43 | 1 | Torsion Spring |
| 18 | S94 | 1 | Wavy Washer |
| 19 | K35 | 1 | Rubber Cap |
| 20 | T270 | 1 | Adjuster Bolt M10x1.5x50mm |
| 21 | T44 | 1 | Adjusting Gear |
| 22 | K32 | 2 | Dust Cover |
| 23 | S37 | 2 | Metal Tap (61x20mm) |
| 24 | B26 | 2 | Bush |
| 25 | B27 | 1 | Bush |
| 26 | S42 | 2 | Metal Tap (37x12mm) |
| 27 | T42 | 1 | Guide Pin Ø32x117mm |
| 28 | T43 | 1 | Guide Pin Ø32x73mm |
| 29 | C32 | 1 | Screw M18x1,5x120mm |
| 30 | C42 | 1 | Screw M18x1,5x95mm |
| 31 | K174 | 1 | Shaft Seal |
| 32 | SK28 | 1 | Snap Ring |
| 33 | S117 | 1 | Locking Shim |
| 34 | T410 | 1 | Spring Plate |
| 35 | Y54 | 1 | Spring |
| 36 | T667 | 1 | Caliper Lever |
| 37 | T125 | 1 | Push Plate |


 MERITOR
D3

| | |
|-----------------|-------------------|
| ANDAC No | 0810 20864 |
|-----------------|-------------------|

| | |
|------------------------|--|
| OE Reference No | |
|------------------------|--|

| | |
|--------------------|-----------|
| Application | D3 |
|--------------------|-----------|

| | |
|--------------------|--|
| Description | Caliper Overhaul Repair Kit (Right 26 Thread) |
|--------------------|--|

| | Name | Qty. | |
|----|------|------|----------------------------|
| 1 | T159 | 1 | Shaft Long (26 Thread) |
| 2 | T162 | 1 | Housing |
| 3 | R6 | 1 | Roller Bearing |
| 4 | P9 | 1 | Dust Cover |
| 5 | R7 | 1 | Roller Bearing |
| 6 | S59 | 1 | Wavy Washer |
| 7 | Y47 | 1 | Torsion Spring |
| 8 | T271 | 1 | Housing |
| 9 | S95 | 4 | Washer |
| 10 | S96 | 3 | Washer |
| 11 | S65 | 1 | Cover |
| 12 | C47 | 4 | Screw M8x40mm |
| 13 | P13 | 1 | Dust Cover |
| 14 | C48 | 2 | Screw M8x15mm |
| 15 | B36 | 1 | Bush |
| 16 | T193 | 1 | Caliper Gear |
| 17 | Y42 | 1 | Torsion Spring |
| 18 | S94 | 1 | Wavy Washer |
| 19 | K35 | 1 | Rubber Cap |
| 20 | T270 | 1 | Adjuster Bolt M10x1.5x50mm |
| 21 | T45 | 1 | Adjusting Gear |
| 22 | K32 | 2 | Dust Cover |
| 23 | S37 | 2 | Metal Tap (61x20mm) |
| 24 | B26 | 2 | Bush |
| 25 | B27 | 1 | Bush |
| 26 | S42 | 2 | Metal Tap (37x12mm) |
| 27 | T42 | 1 | Guide Pin Ø32x117mm |
| 28 | T43 | 1 | Guide Pin Ø32x73mm |
| 29 | C32 | 1 | Screw M18x1,5x120mm |
| 30 | C42 | 1 | Screw M18x1,5x95mm |
| 31 | K174 | 1 | Shaft Seal |
| 32 | SK28 | 1 | Snap Ring |
| 33 | S117 | 1 | Locking Shim |
| 34 | T410 | 1 | Spring Plate |
| 35 | Y54 | 1 | Spring |
| 36 | T667 | 1 | Caliper Lever |
| 37 | T125 | 1 | Push Plate |



ANDAC No 0810 20939

OE Reference No

Application D3

Description Caliper Overhaul Repair Kit (Left 26 Thread)

| | Name | Qty. | |
|----|------|------|----------------------------|
| 1 | T160 | 1 | Shaft Long (26 Thread) |
| 2 | T161 | 1 | Housing |
| 3 | R6 | 1 | Roller Bearing |
| 4 | P9 | 1 | Dust Cover |
| 5 | R7 | 1 | Roller Bearing |
| 6 | S59 | 1 | Wavy Washer |
| 7 | Y48 | 1 | Torsion Spring |
| 8 | T271 | 1 | Housing |
| 9 | S95 | 4 | Washer |
| 10 | S96 | 3 | Washer |
| 11 | S65 | 1 | Cover |
| 12 | C47 | 4 | Screw M8x40mm |
| 13 | P13 | 1 | Dust Cover |
| 14 | C48 | 2 | Screw M8x15mm |
| 15 | B36 | 1 | Bush |
| 16 | T193 | 1 | Caliper Gear |
| 17 | Y43 | 1 | Torsion Spring |
| 18 | S94 | 1 | Wavy Washer |
| 19 | K35 | 1 | Rubber Cap |
| 20 | T270 | 1 | Adjuster Bolt M10x1.5x50mm |
| 21 | T44 | 1 | Adjusting Gear |



MERITOR D3

| | |
|-----------------|-------------------|
| ANDAC No | 0810 20940 |
|-----------------|-------------------|

| | |
|------------------------|--|
| OE Reference No | |
|------------------------|--|

| | |
|--------------------|-----------|
| Application | D3 |
|--------------------|-----------|

| | |
|--------------------|---|
| Description | Caliper Overhaul Repair Kit (Right 26 Teeth) |
|--------------------|---|

| | Name | Qty. | |
|----|------|------|----------------------------|
| 1 | T159 | 1 | Shaft Long (26 Thread) |
| 2 | T162 | 1 | Housing |
| 3 | R6 | 1 | Roller Bearing |
| 4 | P9 | 1 | Dust Cover |
| 5 | R7 | 1 | Roller Bearing |
| 6 | S59 | 1 | Wavy Washer |
| 7 | Y47 | 1 | Torsion Spring |
| 8 | T271 | 1 | Housing |
| 9 | S95 | 4 | Washer |
| 10 | S96 | 3 | Washer |
| 11 | S65 | 1 | Cover |
| 12 | C47 | 4 | Screw M8x40mm |
| 13 | P13 | 1 | Dust Cover |
| 14 | C48 | 2 | Screw M8x15mm |
| 15 | B36 | 1 | Bush |
| 16 | T193 | 1 | Caliper Gear |
| 17 | Y42 | 1 | Torsion Spring |
| 18 | S94 | 1 | Wavy Washer |
| 19 | K35 | 1 | Rubber Cap |
| 20 | T270 | 1 | Adjuster Bolt M10x1.5x50mm |
| 21 | T45 | 1 | Adjusting Gear |



| | | |
|------------------------|---------------------------------|-------------|
| ANDAC No | 0810 20201 | |
| OE Reference No | | |
| Application | D3 | |
| Description | Caliper Gear Big (Right) | |
| | Name | Qty. |
| 1 | T45 | 1 |
| | Adjusting Gear | |
| | | |
| | | |



| | | |
|------------------------|--------------------------------|-------------|
| ANDAC No | 0810 20202 | |
| OE Reference No | | |
| Application | D3 | |
| Description | Caliper Gear Big (Left) | |
| | Name | Qty. |
| 1 | T44 | 1 |
| | Adjusting Gear | |
| | | |
| | | |



| | | |
|------------------------|------------------------------------|-------------|
| ANDAC No | 0810 20203 | |
| OE Reference No | | |
| Application | D3 | |
| Description | Caliper Shaft Short (Right) | |
| | Name | Qty. |
| 1 | T155 | 1 |
| | Shaft Short (26 Thread) | |
| | | |
| | | |



| | | |
|------------------------|-----------------------------------|-------------|
| ANDAC No | 0810 20204 | |
| OE Reference No | | |
| Application | D3 | |
| Description | Caliper Shaft Short (Left) | |
| | Name | Qty. |
| 1 | T156 | 1 |
| | Shaft Short (26 Thread) | |
| | | |
| | | |



MERITOR D3

| | | | |
|--------------------|------|------------------------------------|-------------------------|
| ANDAC No | | 0810 20205 | |
| OE Reference No | | | |
| Application | | D3 | |
| Description | | Caliper Shaft Short (Right) | |
| | Name | Qty. | |
| 1 | T157 | 1 | Shaft Short (48 Thread) |
| | | | |
| | | | |



| | | | |
|--------------------|------|-----------------------------------|-------------------------|
| ANDAC No | | 0810 20206 | |
| OE Reference No | | | |
| Application | | D3 | |
| Description | | Caliper Shaft Short (Left) | |
| | Name | Qty. | |
| 1 | T158 | 1 | Shaft Short (48 Thread) |
| | | | |
| | | | |



| | | | |
|--------------------|------|-----------------------------------|------------------------|
| ANDAC No | | 0810 20207 | |
| OE Reference No | | | |
| Application | | D3 | |
| Description | | Caliper Shaft Long (Right) | |
| | Name | Qty. | |
| 1 | T159 | 1 | Shaft Long (26 Thread) |
| | | | |
| | | | |



| | | | |
|--------------------|------|----------------------------------|------------------------|
| ANDAC No | | 0810 20208 | |
| OE Reference No | | | |
| Application | | D3 | |
| Description | | Caliper Shaft Long (Left) | |
| | Name | Qty. | |
| 1 | T160 | 1 | Shaft Long (26 Thread) |
| | | | |
| | | | |



| | | | |
|-----------------|------|------------------------|---------|
| ANDAC No | | 0810 20209 | |
| OE Reference No | | | |
| Application | | D3 | |
| Description | | Caliper Housing (Left) | |
| | Name | Qty. | |
| 1 | T161 | 1 | Housing |
| | | | |
| | | | |



| | | | |
|-----------------|------|-------------------------|---------|
| ANDAC No | | 0810 20210 | |
| OE Reference No | | | |
| Application | | D3 | |
| Description | | Caliper Housing (Right) | |
| | Name | Qty. | |
| 1 | T162 | 1 | Housing |
| | | | |
| | | | |



| | | | |
|-----------------|------|----------------------------|-------|
| ANDAC No | | 0810 20505 | |
| OE Reference No | | 68321502 | |
| Application | | D3 | |
| Description | | Caliper Lever (48 Teeth) | |
| | Name | Qty. | |
| 1 | T667 | 1 | Lever |
| | | | |
| | | | |



| | | | |
|-----------------|------|--------------------------------|-------|
| ANDAC No | | 0810 20504 | |
| OE Reference No | | 31932070 - 68321507 - 68321508 | |
| Application | | D3 | |
| Description | | Caliper Lever (26 Teeth) | |
| | Name | Qty. | |
| 1 | T666 | 1 | Lever |
| | | | |
| | | | |



MERITOR
D3

MERITOR D3

| | | | |
|------------------------|-------------|--|---------------------|
| ANDAC No | | 0810 20248 | |
| OE Reference No | | SJ4011 - MCK1213 - 0004200676 - 81508026008 - 81508026009 - SJ1228 | |
| Application | | D3 | |
| Description | | Caliper Repair Kit | |
| | Name | Qty. | |
| 1 | K32 | 2 | Dust Cover |
| 2 | S37 | 2 | Metal Tap (61x20mm) |
| 3 | B26 | 2 | Bush |
| 4 | B27 | 1 | Bush |
| 5 | S42 | 2 | Metal Tap (37x12mm) |
| 6 | T42 | 1 | Guide Pin Ø32x117mm |
| 7 | T43 | 1 | Guide Pin Ø32x73mm |
| 8 | C32 | 1 | Screw M18x1,5x120mm |
| 9 | C42 | 1 | Screw M18x1,5x95mm |



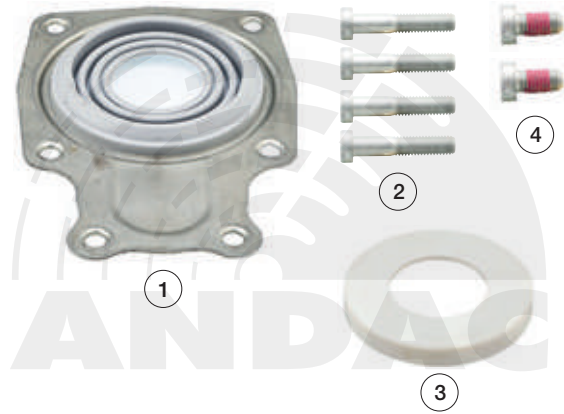
| | | | |
|------------------------|-------------|---------------------|---------------------|
| ANDAC No | | 0810 20249 | |
| OE Reference No | | SJ4001 - 5001822994 | |
| Application | | D3 | |
| Description | | Caliper Repair Kit | |
| | Name | Qty. | |
| 1 | K32 | 2 | Dust Cover |
| 2 | S37 | 2 | Metal Tap (61x20mm) |
| 3 | S42 | 2 | Metal Tap (37x12mm) |
| 4 | T42 | 1 | Guide Pin Ø32x117mm |
| 5 | T43 | 1 | Guide Pin Ø32x73mm |
| 6 | C32 | 1 | Screw M18x1,5x120mm |
| 7 | C42 | 1 | Screw M18x1,5x95mm |



| | | | |
|------------------------|-------------|--|------------|
| ANDAC No | | 0810 20284 | |
| OE Reference No | | 68320912 - 68321272 - 0004230062 - 81.50822.0003 - 5001822997 - 8285388449 - 746871 - 0501314109 | |
| Application | | D3 | |
| Description | | Caliper Push Plate | |
| | Name | Qty. | |
| 1 | T125 | 1 | Push Plate |



| | | | |
|------------------------|--|-------------|---------------|
| ANDAC No | 0810 20263 | | |
| OE Reference No | SJ1212 - 5001831176 - 81508026007 - 0004230082 | | |
| Application | D3 | | |
| Description | Caliper Cover and Bolts | | |
| | Name | Qty. | |
| 1 | S65 | 1 | Cover |
| 2 | C47 | 4 | Screw M8x40mm |
| 3 | P13 | 1 | Dust Cover |
| 4 | C48 | 2 | Screw M8x15mm |



| | | | |
|------------------------|-------------------------------------|-------------|----------------------------|
| ANDAC No | 0810 20333 | | |
| OE Reference No | | | |
| Application | D3 | | |
| Description | Caliper Clutch System Small (Right) | | |
| | Name | Qty. | |
| 1 | T193 | 1 | Caliper Gear |
| 2 | Y42 | 1 | Torsion Spring |
| 3 | S94 | 1 | Wavy Washer |
| 4 | K35 | 1 | Rubber Cap |
| 5 | T270 | 1 | Adjuster Bolt M10x1.5x50mm |



| | | | |
|------------------------|------------------------------------|-------------|----------------------------|
| ANDAC No | 0810 20334 | | |
| OE Reference No | | | |
| Application | D3 | | |
| Description | Caliper Clutch System Small (Left) | | |
| | Name | Qty. | |
| 1 | T193 | 1 | Caliper Gear |
| 2 | Y43 | 1 | Torsion Spring |
| 3 | S94 | 1 | Wavy Washer |
| 4 | K35 | 1 | Rubber Cap |
| 5 | T270 | 1 | Adjuster Bolt M10x1.5x50mm |



| | | | |
|------------------------|-------------------------------------|-------------|----------------------------|
| ANDAC No | 0810 20327 | | |
| OE Reference No | | | |
| Application | D3 | | |
| Description | Caliper Clutch System Small (Right) | | |
| | Name | Qty. | |
| 1 | T193 | 1 | Caliper Gear |
| 2 | Y42 | 1 | Torsion Spring |
| 3 | S94 | 1 | Wavy Washer |
| 4 | K35 | 1 | Rubber Cap |
| 5 | T270 | 1 | Adjuster Bolt M10x1.5x50mm |
| 6 | T410 | 1 | Spring Plate |
| 7 | K40 | 1 | O-Ring |
| 8 | C22 | 1 | Bolt Nut |

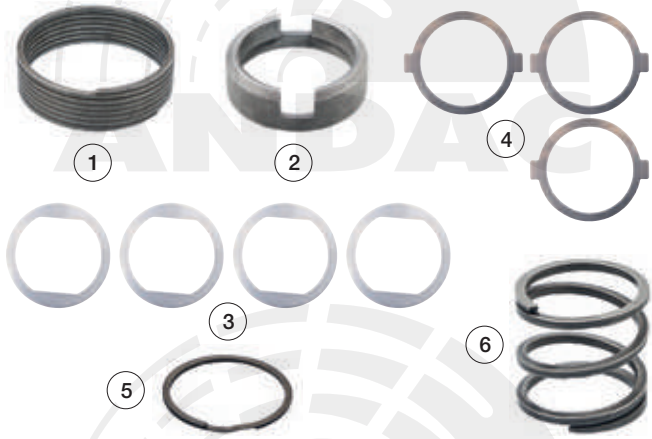


MERITOR D3

| ANDAC No | | 0810 20328 |
|-----------------|------|---|
| OE Reference No | | |
| Application | | D3 |
| Description | | Caliper Clutch System Small (Left) |
| Name | Qty. | |
| 1 T193 | 1 | Caliper Gear |
| 2 Y43 | 1 | Torsion Spring |
| 3 S94 | 1 | Wavy Washer |
| 4 K35 | 1 | Rubber Cap |
| 5 T270 | 1 | Adjuster Bolt M10x1.5x50mm |
| 6 T410 | 1 | Spring Plate |
| 7 K40 | 1 | O-Ring |
| 8 C22 | 1 | Bolt Nut |



| ANDAC No | | 0810 20335 |
|-----------------|------|--|
| OE Reference No | | |
| Application | | D3 |
| Description | | Caliper Clutch System Big (Right) |
| Name | Qty. | |
| 1 Y47 | 1 | Torsion Spring |
| 2 T271 | 1 | Housing |
| 3 S95 | 4 | Washer |
| 4 S96 | 3 | Washer |
| 5 S117 | 1 | Locking Shim |
| 6 Y54 | 1 | Spring |



| ANDAC No | | 0810 20336 |
|-----------------|------|---|
| OE Reference No | | |
| Application | | D3 |
| Description | | Caliper Clutch System Big (Left) |
| Name | Qty. | |
| 1 Y48 | 1 | Torsion Spring |
| 2 T271 | 1 | Housing |
| 3 S95 | 4 | Washer |
| 4 S96 | 3 | Washer |
| 5 S117 | 1 | Locking Shim |
| 6 Y54 | 1 | Spring |



MERITOR
D3

| | | |
|------------------------|------------------------------------|------------------|
| ANDAC No | 0810 20932 | |
| OE Reference No | | |
| Application | D3 | |
| Description | Caliper Clutch Kit (Left) | |
| | Name | Qty. |
| 1 | Y48 | 1 Torsion Spring |
| 2 | T271 | 1 Housing |
| 3 | S95 | 4 Washer |
| 4 | S96 | 3 Washer |
| | | |
| | | |
| | | |



| | | |
|------------------------|-------------------------------------|------------------|
| ANDAC No | 0810 20942 | |
| OE Reference No | | |
| Application | D3 | |
| Description | Caliper Clutch Kit (Right) | |
| | Name | Qty. |
| 1 | Y47 | 1 Torsion Spring |
| 2 | T271 | 1 Housing |
| 3 | S95 | 4 Washer |
| 4 | S96 | 3 Washer |
| | | |
| | | |
| | | |



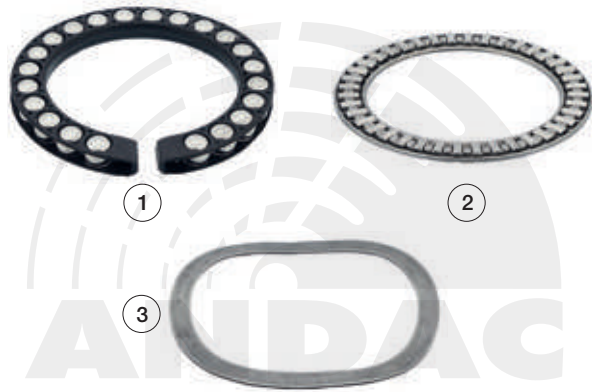
| | | |
|------------------------|---------------------------|--------------|
| ANDAC No | 0810 20264 | |
| OE Reference No | 654147780414PK | |
| Application | D3 | |
| Description | Caliper Dust Cover | |
| | Name | Qty. |
| 1 | K32 | 2 Dust Cover |
| | | |
| | | |
| | | |



MERITOR D3

MERITOR D3

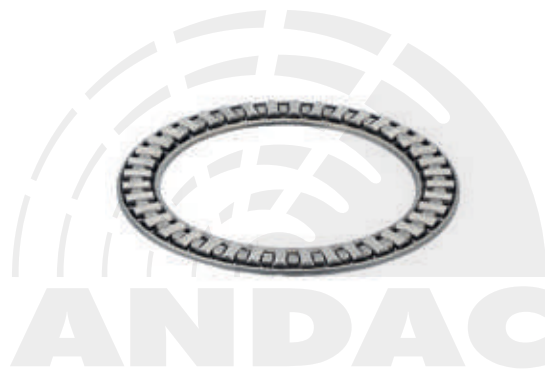
| | | | |
|------------------------|-------------|-----------------------------------|----------------|
| ANDAC No | | 0810 20368 | |
| OE Reference No | | | |
| Application | | D3 | |
| Description | | Caliper Roller Bearing Kit | |
| | Name | Qty. | |
| 1 | R6 | 1 | Roller Bearing |
| 2 | R7 | 1 | Roller Bearing |
| 3 | S59 | 1 | Wavy Washer |



| | | | |
|------------------------|-------------|-------------------------------|----------------|
| ANDAC No | | 0810 20265 | |
| OE Reference No | | | |
| Application | | D3 | |
| Description | | Caliper Roller Bearing | |
| | Name | Qty. | |
| 1 | R6 | 1 | Roller Bearing |



| | | | |
|------------------------|-------------|-------------------------------|----------------|
| ANDAC No | | 0810 20266 | |
| OE Reference No | | | |
| Application | | D3 | |
| Description | | Caliper Roller Bearing | |
| | Name | Qty. | |
| 1 | R7 | 1 | Roller Bearing |



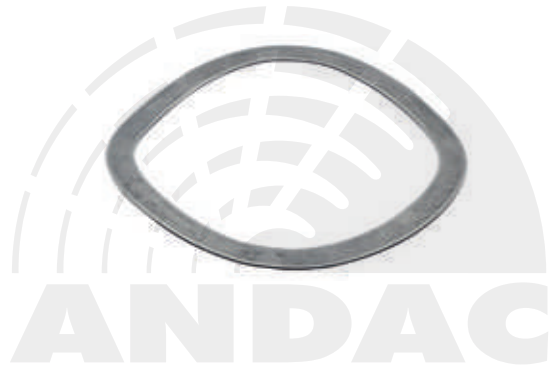
| | | | |
|------------------------|-------------|---------------------|------|
| ANDAC No | | 0810 20267 | |
| OE Reference No | | | |
| Application | | D3 | |
| Description | | Caliper Gear | |
| | Name | Qty. | |
| 1 | T193 | 1 | Gear |



| | | | |
|------------------------|-------------|----------------------------|-------------|
| ANDAC No | | 0810 20369 | |
| OE Reference No | | | |
| Application | | D3 | |
| Description | | Caliper Wavy Washer | |
| | Name | Qty. | |
| 1 | S118 | 1 | Wavy Washer |
| | | | |
| | | | |
| | | | |



| | | | |
|------------------------|-------------|----------------------------|-------------|
| ANDAC No | | 0810 20268 | |
| OE Reference No | | 68320133 | |
| Application | | D3 | |
| Description | | Caliper Wavy Washer | |
| | Name | Qty. | |
| 1 | S59 | 1 | Wavy Washer |
| | | | |
| | | | |
| | | | |



| | | | |
|------------------------|-------------|---------------------------|------------|
| ANDAC No | | 0810 20269 | |
| OE Reference No | | 68320507PK10 | |
| Application | | D3 | |
| Description | | Caliper Dust Cover | |
| | Name | Qty. | |
| 1 | P9 | 10 | Dust Cover |
| | | | |
| | | | |
| | | | |



| | | | |
|------------------------|-------------|---------------------------|------|
| ANDAC No | | 0810 20370 | |
| OE Reference No | | | |
| Application | | D3 | |
| Description | | Caliper Shaft Bush | |
| | Name | Qty. | |
| 1 | B36 | 1 | Bush |
| | | | |
| | | | |
| | | | |



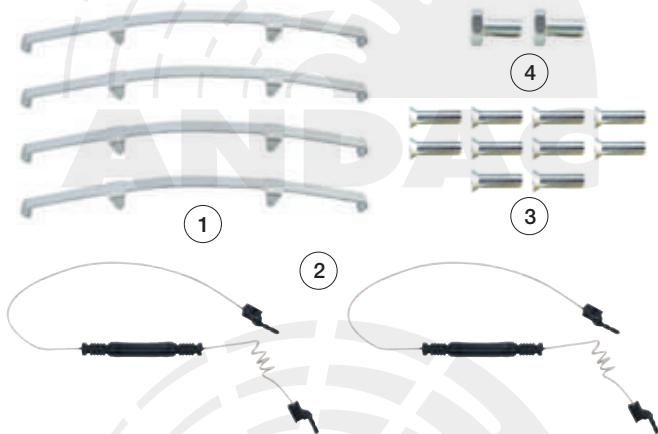
MERITOR
D3

MERITOR D3

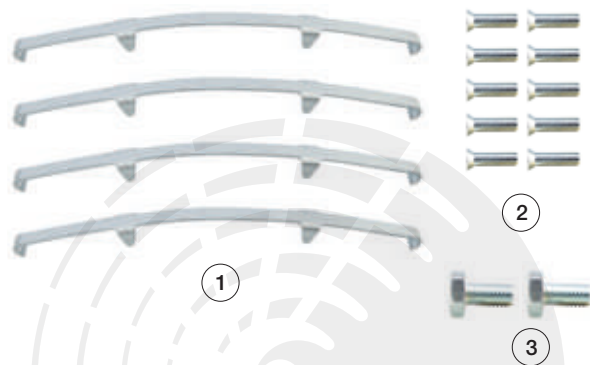
| | | | |
|------------------------|-------------|-------------------------|--------------------------|
| ANDAC No | | 0810 20462 | |
| OE Reference No | | | |
| Application | | D3 | |
| Description | | Caliper Seal Kit | |
| | Name | Qty. | |
| 1 | B36 | 1 | Bush (Ø50 x 55 x26 mm) |
| 2 | K174 | 1 | Shaft Seal |
| 3 | P9 | 1 | Plastic Cover |
| 4 | SK28 | 1 | Circlip |



| | | | |
|------------------------|-------------|----------------------------------|-------------------------------------|
| ANDAC No | | 0810 20497 | |
| OE Reference No | | WVA 29083 | |
| Application | | D3 | |
| Description | | Caliper Pad Retention Kit | |
| | Name | Qty. | |
| 1 | S205 | 4 | Retention Spring - Clamp size 8,3mm |
| 2 | KB011 | 2 | Indicator Cable |
| 3 | T623 | 10 | Detent Pin |
| 4 | C57 | 2 | Screw M10x1,5x20mm |



| | | | |
|------------------------|-------------|----------------------------------|-------------------------------------|
| ANDAC No | | 0810 20498 | |
| OE Reference No | | WVA 29083 | |
| Application | | D3 | |
| Description | | Caliper Pad Retention Kit | |
| | Name | Qty. | |
| 1 | S205 | 4 | Retention Spring - Clamp size 8,3mm |
| 2 | T623 | 10 | Detent Pin |
| 3 | C57 | 2 | Screw M10x1,5x20mm |



MERITOR
D3



MERITOR D3

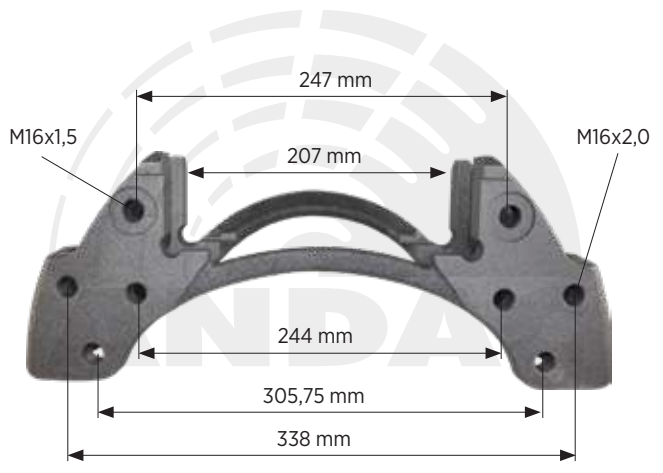
MERITOR
D3

**MERITOR
CARRIERS**

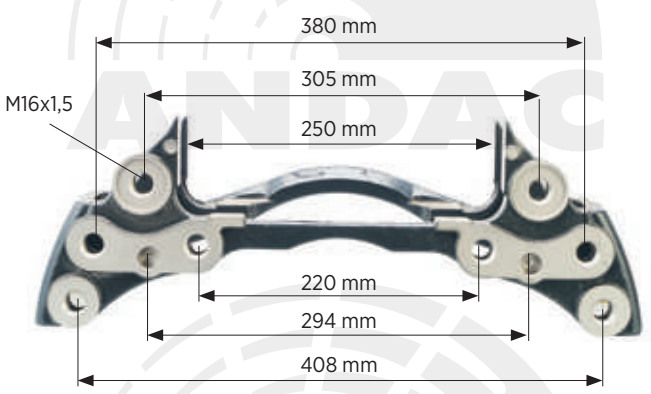


MERITOR
CARRIERS

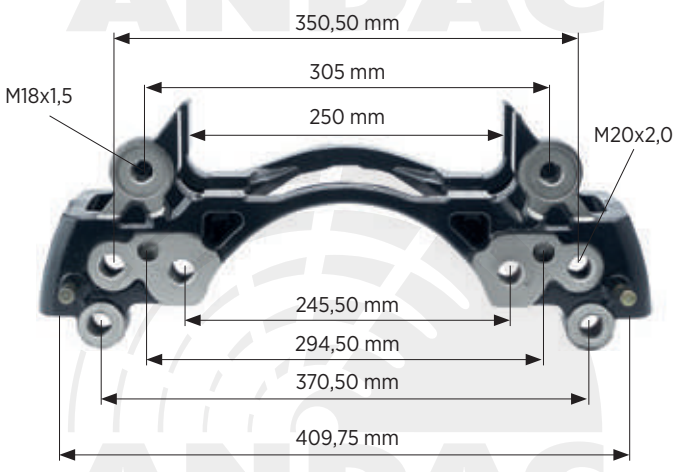
| | | | |
|------------------------|-------------|-------------------------|---------|
| ANDAC No | | 0810 20359 | |
| OE Reference No | | MCK1185- 68323215 | |
| Application | | DX195 | |
| Description | | Caliper Carrier - 19,5" | |
| | Name | Qty. | |
| 1 | T318 | 1 | Carrier |
| | | | |
| | | | |
| | | | |
| | | | |
| | | | |
| | | | |
| | | | |



| | | | |
|------------------------|-------------|--|---------|
| ANDAC No | | 0810 20360 | |
| OE Reference No | | MCK1138 - MCK1146 - MCK1247 - MCK1248 - MCK1368 - 81508026023 - 5001858713 - 85107910 - 321561193 - 68324200 - 21392588 | |
| Application | | ELSA 2 / ELSA 225 | |
| Description | | Caliper Carrier - 22,5" | |
| | Name | Qty. | |
| 1 | T319 | 1 | Carrier |
| | | | |
| | | | |
| | | | |
| | | | |
| | | | |
| | | | |
| | | | |

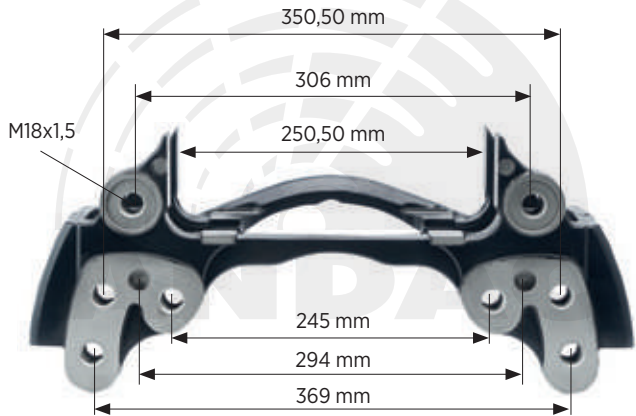


| | | | |
|------------------------|-------------|--|---------|
| ANDAC No | | 0810 20361 | |
| OE Reference No | | MCK1297 - MCK1322 - 63827466 - 68325303 - 5001 866 384 - 85109886 | |
| Application | | ELSA 225 | |
| Description | | Caliper Carrier - 22,5" | |
| | Name | Qty. | |
| 1 | T320 | 1 | Carrier |
| | | | |
| | | | |
| | | | |
| | | | |
| | | | |
| | | | |
| | | | |

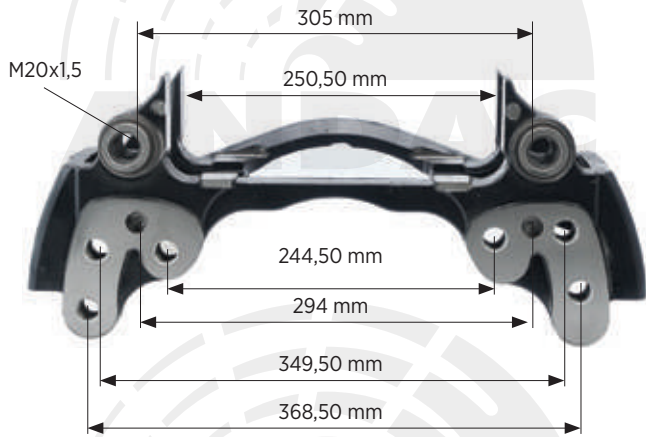


MERITOR CARRIERS

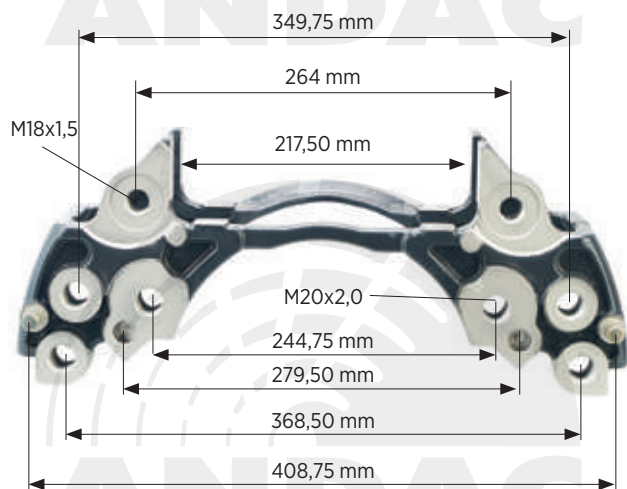
| | | | |
|------------------------|-------------|--|---------|
| ANDAC No | | 0810 20363 | |
| OE Reference No | | 68323675 - 68323676 - 3215D1720 - 68323673 | |
| Application | | ELSA 2 | |
| Description | | Caliper Carrier - 22,5" | |
| | Name | Qty. | |
| 1 | T322 | 1 | Carrier |



| | | | |
|------------------------|-------------|-------------------------|---------|
| ANDAC No | | 0810 20364 | |
| OE Reference No | | 68324199 | |
| Application | | ELSA 2 | |
| Description | | Caliper Carrier - 22,5" | |
| | Name | Qty. | |
| 1 | T323 | 1 | Carrier |

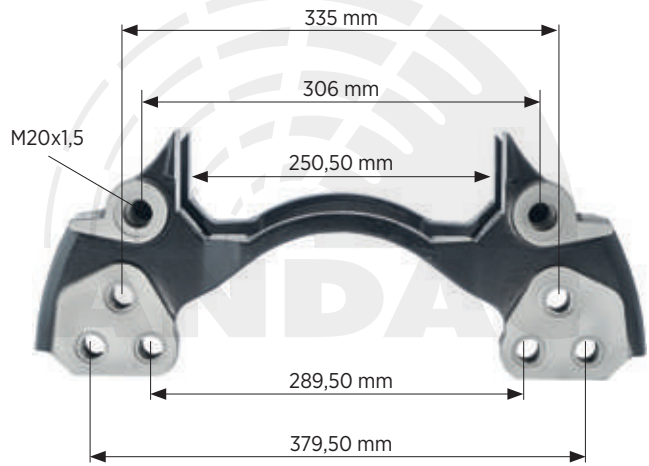


| | | | |
|------------------------|-------------|---|---------|
| ANDAC No | | 0810 20405 | |
| OE Reference No | | MCK1319 - 85109887 - 5001866988 - 68327462 - 68325306 | |
| Application | | ELSA 225 | |
| Description | | Caliper Carrier - 22,5" | |
| | Name | Qty. | |
| 1 | T381 | 1 | Carrier |

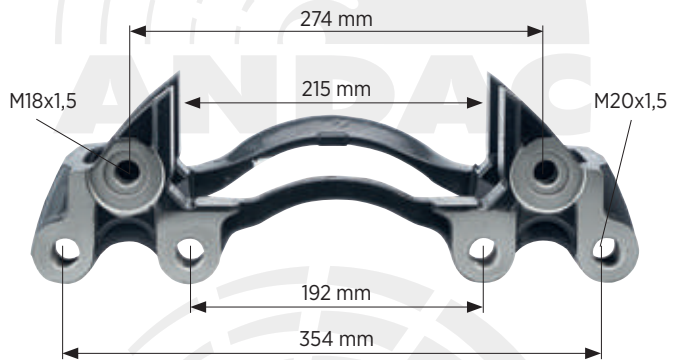


MERITOR CARRIERS

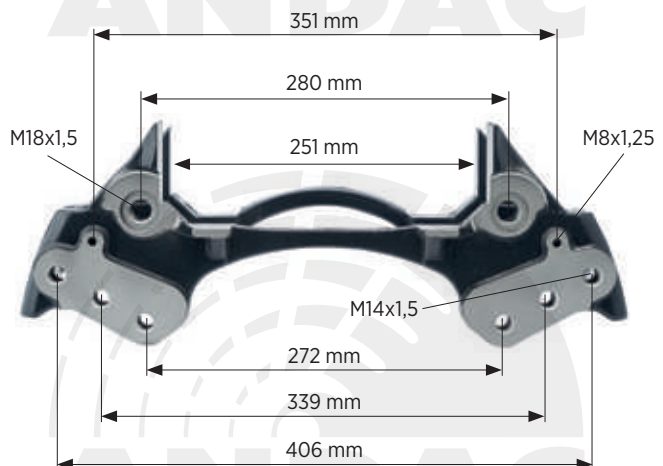
| | | | |
|------------------------|-------------|-------------------------|---------|
| ANDAC No | | 0810 20512 | |
| OE Reference No | | BDA429 - 68321349 | |
| Application | | D LISA | |
| Description | | Caliper Carrier - 22,5" | |
| | Name | Qty. | |
| 1 | T677 | 1 | Carrier |



| | | | |
|------------------------|-------------|-------------------------|---------|
| ANDAC No | | 0810 20513 | |
| OE Reference No | | 68321433 | |
| Application | | C LISA | |
| Description | | Caliper Carrier - 19,5" | |
| | Name | Qty. | |
| 1 | T678 | 1 | Carrier |

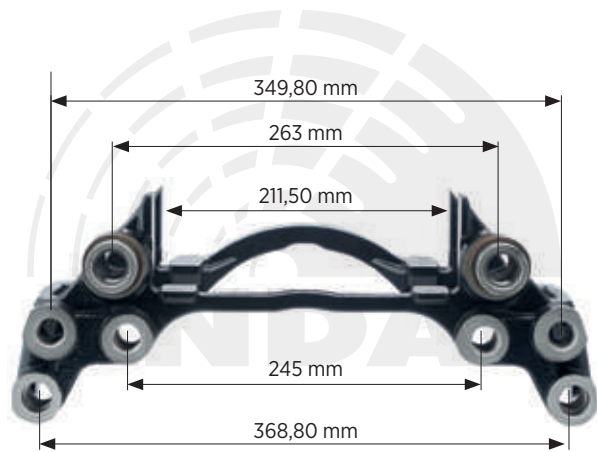


| | | | |
|------------------------|-------------|-------------------------|---------|
| ANDAC No | | 0810 20514 | |
| OE Reference No | | BDA443 - 31932043 | |
| Application | | D3 | |
| Description | | Caliper Carrier - 22,5" | |
| | Name | Qty. | |
| 1 | T679 | 1 | Carrier |

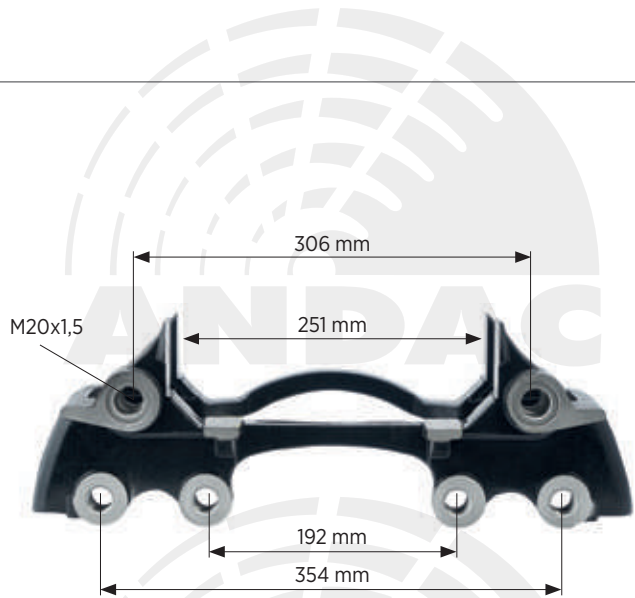


MERITOR CARRIERS

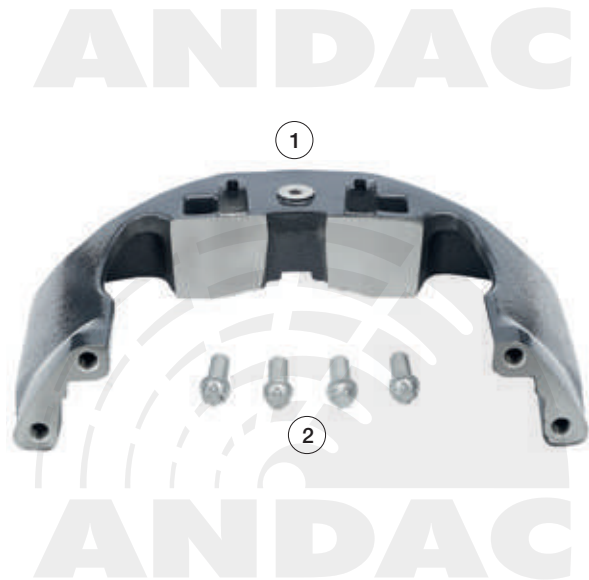
| | | | |
|------------------------|-------------|-------------------------|---------|
| ANDAC No | | 0810 20518 | |
| OE Reference No | | 68323546 - 3095664 | |
| Application | | C DUCO | |
| Description | | Caliper Carrier - 22,5" | |
| | Name | Qty. | |
| 1 | T685 | 1 | Carrier |



| | | | |
|------------------------|-------------|-------------------------|---------|
| ANDAC No | | 0810 20519 | |
| OE Reference No | | 68321281 | |
| Application | | D LISA | |
| Description | | Caliper Carrier - 22,5" | |
| | Name | Qty. | |
| 1 | T686 | 1 | Carrier |



| | | | |
|------------------------|-------------|-------------------------------|--------------------|
| ANDAC No | | 0810 20520 | |
| OE Reference No | | MCK1383 - 68325992 - 21392584 | |
| Application | | ELSA 195 - 225 | |
| Description | | Caliper Bridge Kit | |
| | Name | Qty. | |
| 1 | T687 | 1 | Caliper Bridge |
| 2 | C49 | 4 | Screw M14x1,5x40mm |



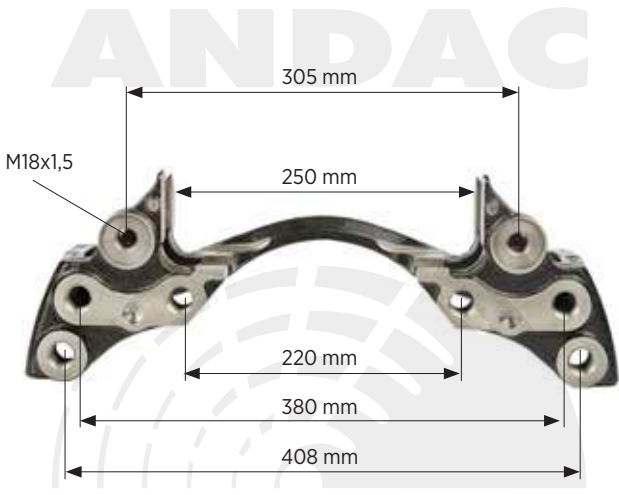
| | | | |
|------------------------|--------------------|-------------|--------------------|
| ANDAC No | 0810 20521 | | |
| OE Reference No | MCK1318 - 68324922 | | |
| Application | ELSA 225 | | |
| Description | Caliper Bridge Kit | | |
| | Name | Qty. | |
| 1 | T688 | 1 | Caliper Bridge |
| 2 | C49 | 4 | Screw M14x1,5x40mm |
| | | | |
| | | | |
| | | | |
| | | | |
| | | | |
| | | | |



| | | | |
|------------------------|--------------------|-------------|--------------------|
| ANDAC No | 0810 20522 | | |
| OE Reference No | MCK1296 - 68324862 | | |
| Application | ELSA 225 | | |
| Description | Caliper Bridge Kit | | |
| | Name | Qty. | |
| 1 | T689 | 1 | Caliper Bridge |
| 2 | C14 | 4 | Screw M16x1,5x40mm |
| | | | |
| | | | |
| | | | |
| | | | |
| | | | |
| | | | |

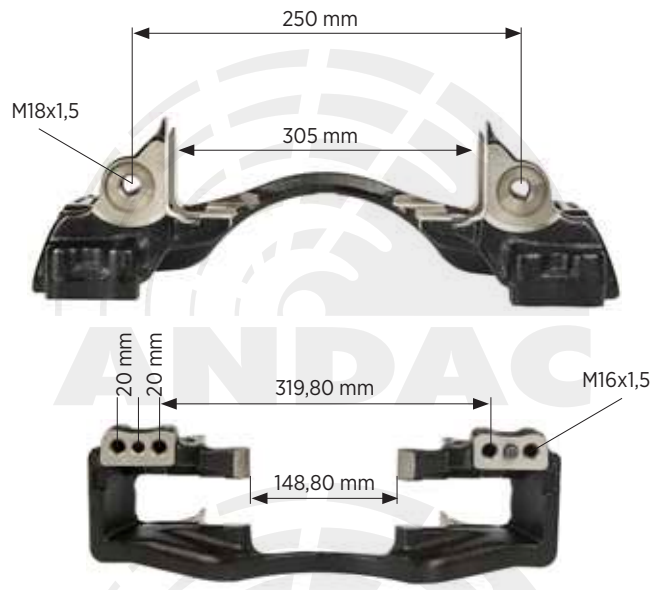


| | | | |
|------------------------|--------------------------|-------------|---------|
| ANDAC No | 0810 20526 | | |
| OE Reference No | 3215G1593 - 884879817002 | | |
| Application | EX225H2 | | |
| Description | Caliper Carrier | | |
| | Name | Qty. | |
| 1 | T767 | 1 | Carrier |
| | | | |
| | | | |
| | | | |
| | | | |
| | | | |
| | | | |
| | | | |



MERITOR CARRIERS

| | | | |
|------------------------|-------------|-------------------|---------|
| ANDAC No | | 0810 20528 | |
| OE Reference No | | | |
| Application | | EX225H2 | |
| Description | | Caliper Carrier | |
| | Name | Qty. | |
| 1 | T782 | 1 | Carrier |
| | | | |
| | | | |
| | | | |
| | | | |
| | | | |
| | | | |
| | | | |





 **MERITOR CARRIERS**

MERITOR
CARRIERS

**MERITOR
INDICATOR CABLES**



MERITOR
INDICATOR CABLES

MERITOR INDICATOR CABLES

| | | | |
|------------------------|--|-------------|---|
| ANDAC No | 0810 20541 | | |
| OE Reference No | MCK1147 | | |
| Application | MAN & ELSA | | |
| Description | Brake pad Indicator cable (Front Right - 230cm) | | |
| | Name | Qty. | |
| 1 | KB022 | 1 | Brake pad Indicator cable - Socket type 1 |



| | | | |
|------------------------|--|-------------|--|
| ANDAC No | 0810 20542 | | |
| OE Reference No | 68326716 - 5001856032 | | |
| Application | RENAULT | | |
| Description | Brake pad Indicator cable (Front Right - 230cm) | | |
| | Name | Qty. | |
| 1 | KB023 | 1 | Brake pad Indicator cable - Socket type 6 - Blue tie |



| | | | |
|------------------------|---|-------------|--|
| ANDAC No | 0810 20543 | | |
| OE Reference No | 68326714 - 5001856034 | | |
| Application | RENAULT | | |
| Description | Brake pad Indicator cable (Rear Right - 140cm) | | |
| | Name | Qty. | |
| 1 | KB024 | | Brake pad Indicator cable - Socket type 5 - Orange tie |



| | | | |
|------------------------|---|-------------|---|
| ANDAC No | 0810 20544 | | |
| OE Reference No | 68326715 - 5001856031 | | |
| Application | RENAULT | | |
| Description | Brake pad Indicator cable (Front Left - 280cm) | | |
| | Name | Qty. | |
| 1 | KB025 | 1 | Brake pad Indicator cable - Socket type 5 - Green tie |



MERITOR INDICATOR CABLES

| | | | |
|-----------------|-------|--|---|
| ANDAC No | | 0810 20545 | |
| OE Reference No | | 68326713 - 5001856033 | |
| Application | | RENAULT | |
| Description | | Brake pad Indicator cable (Rear Left - 140cm) | |
| | Name | Qty. | |
| 1 | KB026 | 1 | Brake pad Indicator cable - Socket type 4 - White tie |



| | | | |
|-----------------|-------|---|---|
| ANDAC No | | 0810 20546 | |
| OE Reference No | | 68326746 - 20928560 - 23740273 | |
| Application | | VOLVO - RENAULT | |
| Description | | Brake pad Indicator cable (Rear Right - 525cm) | |
| | Name | Qty. | |
| 1 | KB027 | 1 | Brake pad Indicator cable - Socket type 6 - Red tie |



| | | | |
|-----------------|-------|---|---|
| ANDAC No | | 0810 20547 | |
| OE Reference No | | 68326743 - 20928553 - 23740270 | |
| Application | | VOLVO - RENAULT | |
| Description | | Brake pad Indicator cable (Rear Right - 130cm) | |
| | Name | Qty. | |
| 1 | KB028 | | Brake pad Indicator cable - Socket type 6 - Brown Tie |



| | | | |
|-----------------|-------|---|--|
| ANDAC No | | 0810 20548 | |
| OE Reference No | | 68326745 - 20928559 - 23740272 | |
| Application | | VOLVO - RENAULT | |
| Description | | Brake pad Indicator cable (Front Left - 370cm) | |
| | Name | Qty. | |
| 1 | KB029 | 1 | Brake pad Indicator cable - Socket type 5 - Yellow Tie |



MERITOR INDICATOR CABLES

| | | | |
|------------------------|---|-------------|--|
| ANDAC No | 0810 20549 | | |
| OE Reference No | 68326742 - 20928552 - 23740269 | | |
| Application | VOLVO - RENAULT | | |
| Description | Brake pad Indicator cable (Rear Left - 130cm) | | |
| | Name | Qty. | |
| 1 | KB030 | 1 | Brake pad Indicator cable - Socket type 5 - Purple Tie |



| | | | |
|------------------------|---|-------------|---|
| ANDAC No | 0810 20550 | | |
| OE Reference No | 68326729 - 20928533 | | |
| Application | VOLVO | | |
| Description | Brake pad Indicator cable (Front 150cm) | | |
| | Name | Qty. | |
| 1 | KB031 | 1 | Brake pad Indicator cable - Socket type 1 |



| | | | |
|------------------------|---------------------------------------|-------------|---|
| ANDAC No | 0810 20551 | | |
| OE Reference No | 68326728 - 20928532 | | |
| Application | VOLVO | | |
| Description | Brake pad Indicator cable (Rear 95cm) | | |
| | Name | Qty. | |
| 1 | KB032 | | Brake pad Indicator cable - Socket type 1 |



| | | | |
|------------------------|---|-------------|---|
| ANDAC No | 0810 20552 | | |
| OE Reference No | 68326720 - 81259376039 - 81.259.376.039 | | |
| Application | MAN | | |
| Description | Brake pad Indicator cable (Front/Rear Left - 135cm) | | |
| | Name | Qty. | |
| 1 | KB033 | 1 | Brake pad Indicator cable - Socket type 7 |



MERITOR INDICATOR CABLES

| | | | |
|------------------------|---|------|---|
| ANDAC No | 0810 20553 | | |
| OE Reference No | 68326722 - 81259376041 - 81.259.376.041 | | |
| Application | MAN | | |
| Description | Brake pad Indicator cable (Rear Left - 175cm) | | |
| | Name | Qty. | |
| 1 | KB034 | 1 | Brake pad Indicator cable - Socket type 7 |



| | | | |
|------------------------|--|------|--|
| ANDAC No | 0810 20554 | | |
| OE Reference No | 68326725 - 81259376044 - 81.259.376.044 | | |
| Application | MAN | | |
| Description | Brake pad Indicator cable (Rear Right - 175cm) | | |
| | Name | Qty. | |
| 1 | KB035 | 1 | Brake pad Indicator cable - Socket type 10 |



| | | | |
|------------------------|-----------------------------------|------|---|
| ANDAC No | 0810 20555 | | |
| OE Reference No | 68326733 - 20928541 | | |
| Application | VOLVO | | |
| Description | Brake pad Indicator cable (155cm) | | |
| | Name | Qty. | |
| 1 | KB036 | | Brake pad Indicator cable Socket type 11- Red tie B |



| | | | |
|------------------------|-----------------------------------|------|---|
| ANDAC No | 0810 20556 | | |
| OE Reference No | 68326732 - 21390374 | | |
| Application | VOLVO | | |
| Description | Brake pad Indicator cable (155cm) | | |
| | Name | Qty. | |
| 1 | KB037 | 1 | Brake pad Indicator cable Socket type 11- White tie A |



MERITOR INDICATOR CABLES

| | | | |
|------------------------|-----------------------------------|-------------|--|
| ANDAC No | 0810 20557 | | |
| OE Reference No | 68326734 - 21390375 - 23740265 | | |
| Application | VOLVO | | |
| Description | Brake pad Indicator cable (185cm) | | |
| | Name | Qty. | |
| 1 | KB038 | 1 | Brake pad Indicator cable Socket type 11- White tie A |



| | | | |
|------------------------|-----------------------------------|-------------|--|
| ANDAC No | 0810 20558 | | |
| OE Reference No | 68326735 - 21390376 - 23740267 | | |
| Application | VOLVO | | |
| Description | Brake pad Indicator cable (185cm) | | |
| | Name | Qty. | |
| 1 | KB039 | 1 | Brake pad Indicator cable Socket type 11- Red tie B |



| | | | |
|------------------------|-----------------------------------|-------------|---|
| ANDAC No | 0810 20559 | | |
| OE Reference No | 68326730 - 21390372 - 23740263 | | |
| Application | VOLVO | | |
| Description | Brake pad Indicator cable (260cm) | | |
| | Name | Qty. | |
| 1 | KB040 | | Brake pad Indicator cable Socket type 11 - White tie A |



| | | | |
|------------------------|-----------------------------------|-------------|--|
| ANDAC No | 0810 20560 | | |
| OE Reference No | 68326731 - 21390373 - 23740263 | | |
| Application | VOLVO | | |
| Description | Brake pad Indicator cable (260cm) | | |
| | Name | Qty. | |
| 1 | KB041 | 1 | Brake pad Indicator cable Socket type 11- Red tie B |



MERITOR INDICATOR CABLES

| | | | |
|------------------------|-----------------------------------|-------------|---|
| ANDAC No | 0810 20561 | | |
| OE Reference No | 68326736 - 20928547 | | |
| Application | VOLVO | | |
| Description | Brake pad Indicator cable (230cm) | | |
| | Name | Qty. | |
| 1 | KB042 | 1 | Brake pad Indicator cable Socket type 11 - White tie A |



| | | | |
|------------------------|-----------------------------------|-------------|--|
| ANDAC No | 0810 20562 | | |
| OE Reference No | 68326737 - 20928548 | | |
| Application | VOLVO | | |
| Description | Brake pad Indicator cable (230cm) | | |
| | Name | Qty. | |
| 1 | KB043 | 1 | Brake pad Indicator cable Socket type 11- Red tie B |



| | | | |
|------------------------|-----------------------------------|-------------|---|
| ANDAC No | 0810 20563 | | |
| OE Reference No | 68326738 - 20928563 | | |
| Application | VOLVO | | |
| Description | Brake pad Indicator cable (110cm) | | |
| | Name | Qty. | |
| 1 | KB044 | | Brake pad Indicator cable Socket type 11 - White tie A |



| | | | |
|------------------------|-----------------------------------|-------------|--|
| ANDAC No | 0810 20564 | | |
| OE Reference No | 68326739 - 20928564 | | |
| Application | VOLVO | | |
| Description | Brake pad Indicator cable (110cm) | | |
| | Name | Qty. | |
| 1 | KB045 | 1 | Brake pad Indicator cable Socket type 11- Red tie B |



MERITOR INDICATOR CABLES

| | | | |
|------------------------|-----------------------------------|-------------|---|
| ANDAC No | 0810 20565 | | |
| OE Reference No | 68327005 - 68326911 | | |
| Application | VOLVO - RENAULT | | |
| Description | Brake pad Indicator cable (130cm) | | |
| | Name | Qty. | |
| 1 | KB046 | 1 | Brake pad Indicator cable Socket type 2 |



| | | | |
|------------------------|-----------------------------------|-------------|---|
| ANDAC No | 0810 20566 | | |
| OE Reference No | 68326512 - 21296863 - 7421296863 | | |
| Application | VOLVO - RENAULT | | |
| Description | Brake pad Indicator cable (135cm) | | |
| | Name | Qty. | |
| 1 | KB047 | 1 | Brake pad Indicator cable Socket type 2 |



| | | | |
|------------------------|-----------------------------------|-------------|---|
| ANDAC No | 0810 20567 | | |
| OE Reference No | 68326692 - 21296868 - 23740255 | | |
| Application | VOLVO - RENAULT | | |
| Description | Brake pad Indicator cable (160cm) | | |
| | Name | Qty. | |
| 1 | KB048 | | Brake pad Indicator cable Socket type 2 |



| | | | |
|------------------------|-----------------------------------|-------------|---|
| ANDAC No | 0810 20568 | | |
| OE Reference No | 68326688 - 21296864 | | |
| Application | VOLVO - RENAULT | | |
| Description | Brake pad Indicator cable (175cm) | | |
| | Name | Qty. | |
| 1 | KB049 | 1 | Brake pad Indicator cable Socket type 2 |



MERITOR INDICATOR CABLES

| | | | |
|-----------------|-------|-----------------------------------|---|
| ANDAC No | | 0810 20569 | |
| OE Reference No | | 68326693 - 21296869 - 23740256 | |
| Application | | VOLVO - RENAULT | |
| Description | | Brake pad Indicator cable (185cm) | |
| | Name | Qty. | |
| 1 | KB050 | 1 | Brake pad Indicator cable Socket type 3 |



| | | | |
|-----------------|-------|-----------------------------------|---|
| ANDAC No | | 0810 20570 | |
| OE Reference No | | 68326694 - 21296870 - 23740257 | |
| Application | | VOLVO | |
| Description | | Brake pad Indicator cable (185cm) | |
| | Name | Qty. | |
| 1 | KB051 | 1 | Brake pad Indicator cable Socket type 2 |



| | | | |
|-----------------|-------|---|---|
| ANDAC No | | 0810 20571 | |
| OE Reference No | | 68326689 - 21296865 - 23740254 | |
| Application | | VOLVO | |
| Description | | Brake pad Indicator cable/ W-Socket (185cm) | |
| | Name | Qty. | |
| 1 | KB052 | | Brake pad Indicator cable Socket type 2 |



| | | | |
|-----------------|-------|-----------------------------------|---|
| ANDAC No | | 0810 20572 | |
| OE Reference No | | 68326698 - 21296874 - 23740261 | |
| Application | | VOLVO - RENAULT | |
| Description | | Brake pad Indicator cable (220cm) | |
| | Name | Qty. | |
| 1 | KB053 | 1 | Brake pad Indicator cable Socket type 2 |



MERITOR INDICATOR CABLES

| | | | |
|------------------------|-----------------------------------|-------------|---|
| ANDAC No | 0810 20573 | | |
| OE Reference No | 68326699 - 21296875 - 23740262 | | |
| Application | VOLVO - RENAULT | | |
| Description | Brake pad Indicator cable (240cm) | | |
| | Name | Qty. | |
| 1 | KB054 | 1 | Brake pad Indicator cable Socket type 3 |



| | | | |
|------------------------|-----------------------------------|-------------|---|
| ANDAC No | 0810 20574 | | |
| OE Reference No | 68326913 - 21665043 | | |
| Application | VOLVO - RENAULT | | |
| Description | Brake pad Indicator cable (265cm) | | |
| | Name | Qty. | |
| 1 | KB055 | 1 | Brake pad Indicator cable Socket type 3 |



| | | | |
|------------------------|-----------------------------------|-------------|---|
| ANDAC No | 0810 20575 | | |
| OE Reference No | 68327006 - 21665042 - 23740278 | | |
| Application | VOLVO - RENAULT | | |
| Description | Brake pad Indicator cable (285cm) | | |
| | Name | Qty. | |
| 1 | KB056 | | Brake pad Indicator cable Socket type 3 |



| | | | |
|------------------------|-----------------------------------|-------------|--|
| ANDAC No | 0810 20576 | | |
| OE Reference No | 68326717 - 5001856029 - 21296864 | | |
| Application | RENAULT | | |
| Description | Brake pad Indicator cable (180cm) | | |
| | Name | Qty. | |
| 1 | KB057 | 1 | Brake pad Indicator cable Socket type 5 - Yellow tie |



MERITOR INDICATOR CABLES

| | | | |
|------------------------|-----------------------------------|------|--|
| ANDAC No | 0810 20577 | | |
| OE Reference No | 68326740 - 20928550 - 23740268 | | |
| Application | VOLVO - RENAULT | | |
| Description | Brake pad Indicator cable (160cm) | | |
| | Name | Qty. | |
| 1 | KB058 | 1 | Brake pad Indicator cable Socket type 5 - Ivory tie |



| | | | |
|------------------------|-----------------------------------|------|--|
| ANDAC No | 0810 20578 | | |
| OE Reference No | 68326747 - 20928561 - 23740274 | | |
| Application | VOLVO - RENAULT | | |
| Description | Brake pad Indicator cable (520cm) | | |
| | Name | Qty. | |
| 1 | KB059 | 1 | Brake pad Indicator cable Socket type 5 - Brown tie |



| | | | |
|------------------------|----------------------------------|------|--|
| ANDAC No | 0810 20579 | | |
| OE Reference No | 68326752 - 21116154 | | |
| Application | RENAULT | | |
| Description | Brake pad Indicator cable (75cm) | | |
| | Name | Qty. | |
| 1 | KB060 | 1 | Brake pad Indicator cable Socket type 5 - White tie |



| | | | |
|------------------------|----------------------------------|------|---|
| ANDAC No | 0810 20580 | | |
| OE Reference No | 68326753 - 21116155 | | |
| Application | RENAULT | | |
| Description | Brake pad Indicator cable (85cm) | | |
| | Name | Qty. | |
| 1 | KB061 | 1 | Brake pad Indicator cable Socket type 5 - Orange tie |



MERITOR INDICATOR CABLES

| | | | |
|------------------------|-----------------------------------|-------------|--|
| ANDAC No | 0810 20581 | | |
| OE Reference No | 68326718 - 5001856030 | | |
| Application | RENAULT | | |
| Description | Brake pad Indicator cable (180cm) | | |
| | Name | Qty. | |
| 1 | KB062 | 1 | Brake pad Indicator cable Socket type 6 - Red tie |



| | | | |
|------------------------|-----------------------------------|-------------|---|
| ANDAC No | 0810 20582 | | |
| OE Reference No | 68326741 - 20928551 | | |
| Application | VOLVO - RENAULT | | |
| Description | Brake pad Indicator cable (330cm) | | |
| | Name | Qty. | |
| 1 | KB063 | 1 | Brake pad Indicator cable Socket type 6 - Grey tie |



| | | | |
|------------------------|-----------------------------------|-------------|---|
| ANDAC No | 0810 20583 | | |
| OE Reference No | 68326744 - 20928562 - 23740271 | | |
| Application | VOLVO - RENAULT | | |
| Description | Brake pad Indicator cable (360cm) | | |
| | Name | Qty. | |
| 1 | KB064 | | Brake pad Indicator cable Socket type 6 - Blue tie |



| | | | |
|------------------------|-----------------------------------|-------------|---|
| ANDAC No | 0810 20584 | | |
| OE Reference No | 68326748 - 20928565 - 23740275 | | |
| Application | VOLVO - RENAULT | | |
| Description | Brake pad Indicator cable (162cm) | | |
| | Name | Qty. | |
| 1 | KB065 | 1 | Brake pad Indicator cable Socket type 6 - Grey tie |



MERITOR INDICATOR CABLES

| | | | |
|------------------------|-----------------------------------|------|--|
| ANDAC No | 0810 20585 | | |
| OE Reference No | 68326749 - 20928566 | | |
| Application | VOLVO - RENAULT | | |
| Description | Brake pad Indicator cable (180cm) | | |
| | Name | Qty. | |
| 1 | KB066 | 1 | Brake pad Indicator cable Socket type 6 - Purple tie |



| | | | |
|------------------------|---|------|---|
| ANDAC No | 0810 20586 | | |
| OE Reference No | 68326719 - 81259376038 - 81.259.376.038 | | |
| Application | MAN | | |
| Description | Brake pad Indicator cable (250cm) | | |
| | Name | Qty. | |
| 1 | KB067 | 1 | Brake pad Indicator cable Socket type 7 |



| | | | |
|------------------------|---|------|---|
| ANDAC No | 0810 20587 | | |
| OE Reference No | 68326721 - 81259376040 - 81.259.376.040 | | |
| Application | MAN | | |
| Description | Brake pad Indicator cable (215cm) | | |
| | Name | Qty. | |
| 1 | KB068 | 1 | Brake pad Indicator cable Socket type 7 |



| | | | |
|------------------------|---|------|---|
| ANDAC No | 0810 20588 | | |
| OE Reference No | 68326723 - 81259376042 - 81.259.376.042 | | |
| Application | MAN | | |
| Description | Brake pad Indicator cable (175cm) | | |
| | Name | Qty. | |
| 1 | KB069 | 1 | Brake pad Indicator cable Socket type 8 |



MERITOR INDICATOR CABLES

| | | | |
|------------------------|---|-------------|---|
| ANDAC No | 0810 20589 | | |
| OE Reference No | 68326724 - 81259376043 - 81.259.376.043 | | |
| Application | MAN | | |
| Description | Brake pad Indicator cable (175cm) | | |
| | Name | Qty. | |
| 1 | KB070 | 1 | Brake pad Indicator cable Socket type 9 |



| | | | |
|------------------------|---|-------------|--|
| ANDAC No | 0810 20590 | | |
| OE Reference No | 68326726 - 81259376045 - 81.259.376.045 | | |
| Application | MAN | | |
| Description | Brake pad Indicator cable (215cm) | | |
| | Name | Qty. | |
| 1 | KB071 | 1 | Brake pad Indicator cable Socket type 10 |



| | | | |
|------------------------|---|-------------|--|
| ANDAC No | 0810 20591 | | |
| OE Reference No | 68326727 - 81259376046 - 81.259.376.046 | | |
| Application | MAN | | |
| Description | Brake pad Indicator cable (250cm) | | |
| | Name | Qty. | |
| 1 | KB072 | | Brake pad Indicator cable Socket type 10 |



| | | | |
|------------------------|-----------------------------------|-------------|---|
| ANDAC No | 0810 20592 | | |
| OE Reference No | 68326750 - 20928575 | | |
| Application | VOLVO | | |
| Description | Brake pad Indicator cable (200cm) | | |
| | Name | Qty. | |
| 1 | KB073 | 1 | Brake pad Indicator cable Socket type 11 - Red CODE A |



MERITOR INDICATOR CABLES

| | | | |
|------------------------|-------------|-----------------------------------|--|
| ANDAC No | | 0810 20593 | |
| OE Reference No | | 68326751 - 20928574 | |
| Application | | VOLVO | |
| Description | | Brake pad Indicator cable (200cm) | |
| | Name | Qty. | |
| 1 | KB074 | 1 | Brake pad Indicator cable Socket type 11 - Red CODE B |



| | | | |
|------------------------|-------------|-----------------------------------|---|
| ANDAC No | | 0810 20594 | |
| OE Reference No | | 68326665 | |
| Application | | SOLARIS | |
| Description | | Brake pad Indicator cable (150cm) | |
| | Name | Qty. | |
| 1 | KB075 | 1 | Brake pad Indicator cable Socket type 1 - Orange tie |





MERITOR INDICATOR CABLES

MERITOR
INDICATOR CABLES

**WABCO
PAN 17**



WABCO
PAN 17

| | | | |
|------------------------|-------------|--------------------------------------|---------------------|
| ANDAC No | | 0810 30102 | |
| OE Reference No | | | |
| Application | | PAN 17 | |
| Description | | Caliper Adjusting Mechanism Complete | |
| | Name | Qty. | |
| 1 | T262 | 1 | Adjusting Mechanism |
| 2 | Y44 | 2 | Spring |



| | | | |
|------------------------|-------------|--------------------------------------|---------------------|
| ANDAC No | | 0810 30169 | |
| OE Reference No | | | |
| Application | | PAN 17 | |
| Description | | Caliper Adjusting Mechanism Complete | |
| | Name | Qty. | |
| 1 | T262 | 1 | Adjusting Mechanism |



| | | | |
|------------------------|-------------|--------------------------------------|---------------------------------|
| ANDAC No | | 0810 30103 | |
| OE Reference No | | | |
| Application | | PAN 17 | |
| Description | | Caliper Adjusting Mechanism Complete | |
| | Name | Qty. | |
| 1 | T263 | 1 | Adjusting Mechanism (Slotted) |
| 2 | Y44 | 2 | Spring |



| | | | |
|------------------------|-------------|--------------------------------------|---------------------------------|
| ANDAC No | | 0810 30170 | |
| OE Reference No | | | |
| Application | | PAN 17 | |
| Description | | Caliper Adjusting Mechanism Complete | |
| | Name | Qty. | |
| 1 | T263 | 1 | Adjusting Mechanism (Slotted) |



| | | | |
|--------------------|------|-------------------|--------|
| ANDAC No | | 0810 30105 | |
| OE Reference No | | | |
| Application | | PAN 17 | |
| Description | | Caliper Bridge | |
| | Name | Qty. | |
| 1 | T249 | 1 | Bridge |
| | | | |
| | | | |



| | | | |
|--------------------|------|-------------------|--------|
| ANDAC No | | 0810 30172 | |
| OE Reference No | | | |
| Application | | PAN 17 | |
| Description | | Caliper Bridge | |
| | Name | Qty. | |
| 1 | T249 | 1 | Bridge |
| 2 | Y44 | 2 | Spring |
| | | | |
| | | | |



| | | | |
|--------------------|------|-----------------------------|--------------|
| ANDAC No | | 0810 30107 | |
| OE Reference No | | | |
| Application | | PAN 17 | |
| Description | | Caliper Adjusting Mechanism | |
| | Name | Qty. | |
| 1 | T131 | 1 | Screw |
| 2 | T132 | 1 | Adjuster Pin |
| 3 | T134 | 1 | Retainer |
| 4 | Y12 | 1 | Spring |
| 5 | T135 | 1 | Clutch |
| | | | |
| | | | |



| | | |
|------------------------|---------------------------------|----------------|
| ANDAC No | 0810 30174 | |
| OE Reference No | | |
| Application | PAN 17 | |
| Description | Caliper Adjusting Mechanism Kit | |
| | Name | Qty. |
| 1 | T131 | 1 Screw |
| 2 | T132 | 1 Adjuster Pin |
| 3 | T134 | 1 Retainer |
| 4 | Y12 | 1 Spring |
| 5 | T135 | 1 Clutch |
| 6 | SK7 | 1 Snap Ring |
| 7 | T252 | 1 Washer |
| 8 | Y45 | 1 Spring |
| 9 | S86 | 1 Washer |
| 10 | S87 | 1 Washer |
| 11 | S88 | 1 Washer |



| | | |
|------------------------|-----------------------------|---------------------|
| ANDAC No | 0810 30108 | |
| OE Reference No | | |
| Application | PAN 17 | |
| Description | Caliper Adjusting Mechanism | |
| | Name | Qty. |
| 1 | T25 | 1 Screw (Slotted) |
| 2 | T132 | 1 Adjuster Pin |
| 3 | T134 | 1 Retainer |
| 4 | Y12 | 1 Spring |
| 5 | T135 | 1 Clutch |



| | | |
|------------------------|---------------------------------|---------------------|
| ANDAC No | 0810 30175 | |
| OE Reference No | | |
| Application | PAN 17 | |
| Description | Caliper Adjusting Mechanism Kit | |
| | Name | Qty. |
| 1 | T25 | 1 Screw (Slotted) |
| 2 | T132 | 1 Adjuster Pin |
| 3 | T134 | 1 Retainer |
| 4 | Y12 | 1 Spring |
| 5 | T135 | 1 Clutch |
| 6 | SK7 | 1 Snap Ring |
| 7 | T252 | 1 Washer |
| 8 | Y45 | 1 Spring |
| 9 | S86 | 1 Washer |
| 10 | S87 | 1 Washer |
| 11 | S88 | 1 Washer |



| | | | |
|--------------------|------|--------------------------|-------|
| ANDAC No | | 0810 30110 | |
| OE Reference No | | | |
| Application | | PAN 17 | |
| Description | | Caliper Calibration Bolt | |
| | Name | Qty. | |
| 1 | T131 | 1 | Screw |
| | | | |
| | | | |



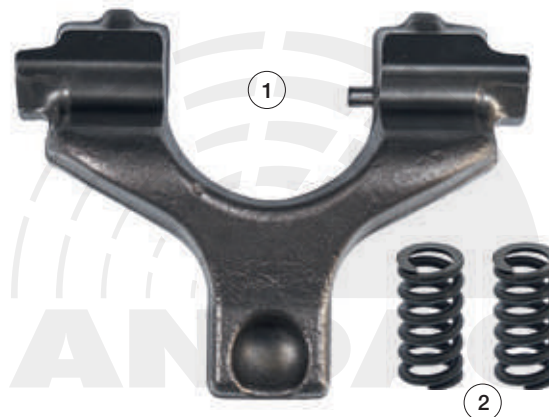
| | | | |
|--------------------|------|--------------------------------------|-------|
| ANDAC No | | 0810 30111 | |
| OE Reference No | | | |
| Application | | PAN 17 | |
| Description | | Caliper Calibration Bolt (Slotted) | |
| | Name | Qty. | |
| 1 | T25 | 1 | Screw |
| | | | |
| | | | |



| | | | |
|--------------------|------|-------------------|-------|
| ANDAC No | | 0810 30112 | |
| OE Reference No | | | |
| Application | | PAN 17 | |
| Description | | Caliper Lever | |
| | Name | Qty. | |
| 1 | T251 | 1 | Lever |
| | | | |
| | | | |



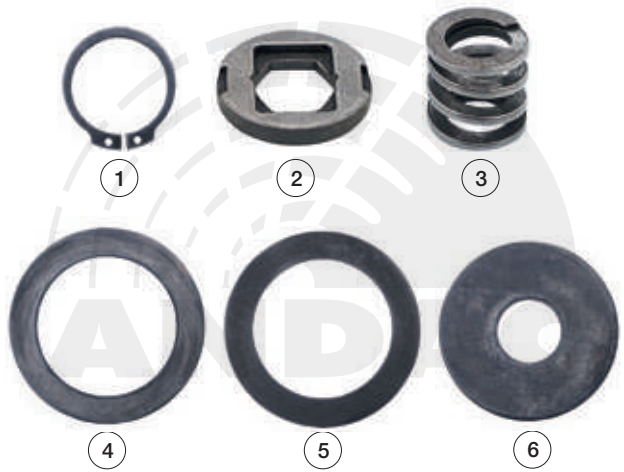
| | | | |
|--------------------|------|-------------------|--------|
| ANDAC No | | 0810 30176 | |
| OE Reference No | | | |
| Application | | PAN 17 | |
| Description | | Caliper Lever | |
| | Name | Qty. | |
| 1 | T251 | 1 | Lever |
| 2 | Y44 | 2 | Spring |
| | | | |
| | | | |



| | | |
|------------------------|------------------------|-------------|
| ANDAC No | 0810 30113 | |
| OE Reference No | | |
| Application | PAN 17 | |
| Description | Caliper Roller Bearing | |
| | Name | Qty. |
| 1 | R13 | 2 |
| | Roller Bearing | |



| | | |
|------------------------|--------------------|-------------|
| ANDAC No | 0810 30114 | |
| OE Reference No | | |
| Application | PAN 17 | |
| Description | Caliper Repair Kit | |
| | Name | Qty. |
| 1 | SK7 | 1 |
| 2 | T252 | 1 |
| 3 | Y45 | 1 |
| 4 | S86 | 1 |
| 5 | S87 | 1 |
| 6 | S88 | 1 |
| | Snap Ring | |
| | Washer | |
| | Spring | |
| | Washer | |
| | Washer | |
| | Washer | |



| | | |
|------------------------|---------------------------|-------------|
| ANDAC No | 0810 30136 | |
| OE Reference No | | |
| Application | PAN 17 | |
| Description | Caliper Repair Kit | |
| | Name | Qty. |
| 1 | T21 | 1 |
| 2 | C127 | 1 |
| 3 | T22 | 1 |
| 4 | C129 | 1 |
| 5 | K18 | 1 |
| 6 | K16 | 2 |
| 7 | B5 | 3 |
| 8 | S9 | 2 |
| 9 | K19 | 1 |
| 10 | K20 | 1 |
| 11 | T262 | 1 |
| 12 | Y44 | 2 |
| 13 | R13 | 2 |
| 14 | T251 | 1 |
| | Guide Pin Ø29x91mm | |
| | Screw M16x1,5x87mm - 12.9 | |
| | Guide Pin Ø29x77mm | |
| | Screw M16x1,5x70mm - 12.9 | |
| | Boot | |
| | Boot | |
| | Bush | |
| | Metal Tap | |
| | Rubber Tap | |
| | Seal | |
| | Adjusting Mechanism | |
| | Spring | |
| | Roller Bearing | |
| | Lever | |



| ANDAC No | | 0810 30137 | |
|-----------------|------|---------------------------|--|
| OE Reference No | | | |
| Application | | PAN 17 | |
| Description | | Caliper Repair Kit | |
| Name | Qty. | | |
| 1 T21 | 1 | Guide Pin Ø29x91mm | |
| 2 C127 | 1 | Screw M16x1,5x87mm - 12.9 | |
| 3 T22 | 1 | Guide Pin Ø29x77mm | |
| 4 C129 | 1 | Screw M16x1,5x70mm - 12.9 | |
| 5 K18 | 1 | Boot | |
| 6 K16 | 2 | Boot | |
| 7 B5 | 3 | Bush | |
| 8 S9 | 2 | Metal Tap | |
| 9 K19 | 1 | Rubber Tap | |
| 10 K20 | 1 | Seal | |
| 11 T262 | 1 | Adjusting Mechanism | |
| 12 Y44 | 2 | Spring | |



| ANDAC No | | 0810 30182 | |
|-----------------|------|---------------------------|--|
| OE Reference No | | | |
| Application | | PAN 17 | |
| Description | | Caliper Repair Kit | |
| Name | Qty. | | |
| 1 T21 | 1 | Guide Pin Ø29x91mm | |
| 2 C127 | 1 | Screw M16x1,5x87mm - 12.9 | |
| 3 T22 | 1 | Guide Pin Ø29x77mm | |
| 4 C129 | 1 | Screw M16x1,5x70mm - 12.9 | |
| 5 K18 | 1 | Boot | |
| 6 K16 | 2 | Boot | |
| 7 B5 | 3 | Bush | |
| 8 S9 | 2 | Metal Tap | |
| 9 K19 | 1 | Rubber Tap | |
| 10 T23 | 1 | Adjusting Mechanism | |
| 11 SK7 | 1 | Snap Ring | |
| 12 T252 | 1 | Washer | |
| 13 Y45 | 1 | Spring | |
| 14 S86 | 1 | Washer | |
| 15 S87 | 1 | Washer | |
| 16 S88 | 1 | Washer | |



| | | | |
|------------------------|-------------|---------------------------|---------------------------|
| ANDAC No | | 0810 30138 | |
| OE Reference No | | | |
| Application | | PAN 17 | |
| Description | | Caliper Repair Kit | |
| | Name | Qty. | |
| 1 | T21 | 1 | Guide Pin Ø29x91mm |
| 2 | C127 | 1 | Screw M16x1,5x87mm - 12.9 |
| 3 | T22 | 1 | Guide Pin Ø29x77mm |
| 4 | C129 | 1 | Screw M16x1,5x70mm - 12.9 |
| 5 | K18 | 1 | Boot |
| 6 | K16 | 2 | Boot |
| 7 | B5 | 3 | Bush |
| 8 | S9 | 2 | Metal Tap |
| 9 | K19 | 1 | Rubber Tap |
| 10 | T23 | 1 | Adjusting Mechanism |



| | | | |
|------------------------|-------------|---------------------------|---------------------------------|
| ANDAC No | | 0810 30139 | |
| OE Reference No | | | |
| Application | | PAN 17 | |
| Description | | Caliper Repair Kit | |
| | Name | Qty. | |
| 1 | T21 | 1 | Guide Pin Ø29x91mm |
| 2 | C127 | 1 | Screw M16x1,5x87mm - 12.9 |
| 3 | T22 | 1 | Guide Pin Ø29x77mm |
| 4 | C129 | 1 | Screw M16x1,5x70mm - 12.9 |
| 5 | K18 | 1 | Boot |
| 6 | K16 | 2 | Boot |
| 7 | B5 | 3 | Bush |
| 8 | S9 | 2 | Metal Tap |
| 9 | K19 | 1 | Rubber Tap |
| 10 | K20 | 1 | Seal |
| 11 | T263 | 1 | Adjusting Mechanism (Slotted) |
| 12 | Y44 | 2 | Spring |
| 13 | R13 | 2 | Roller Bearing |
| 14 | T251 | 1 | Lever |



| ANDAC No | | 0810 30140 | |
|-----------------|------|---------------------------------|--|
| OE Reference No | | | |
| Application | | PAN 17 | |
| Description | | Caliper Repair Kit | |
| Name | Qty. | | |
| 1 T21 | 1 | Guide Pin Ø29x91mm | |
| 2 C127 | 1 | Screw M16x1,5x87mm - 12.9 | |
| 3 T22 | 1 | Guide Pin Ø29x77mm | |
| 4 C129 | 1 | Screw M16x1,5x70mm - 12.9 | |
| 5 K18 | 1 | Boot | |
| 6 K16 | 2 | Boot | |
| 7 B5 | 3 | Bush | |
| 8 S9 | 2 | Metal Tap | |
| 9 K19 | 1 | Rubber Tap | |
| 10 K20 | 1 | Seal | |
| 11 T263 | 1 | Adjusting Mechanism (Slotted) | |
| 12 Y44 | 2 | Spring | |



| ANDAC No | | 0810 30183 | |
|-----------------|------|---------------------------------|--|
| OE Reference No | | | |
| Application | | PAN 17 | |
| Description | | Caliper Repair Kit | |
| Name | Qty. | | |
| 1 T21 | 1 | Guide Pin Ø29x91mm | |
| 2 C127 | 1 | Screw M16x1,5x87mm - 12.9 | |
| 3 T22 | 1 | Guide Pin Ø29x77mm | |
| 4 C8 | 1 | Screw M16x1,5x70mm | |
| 5 K18 | 1 | Boot | |
| 6 K16 | 2 | Boot | |
| 7 B5 | 3 | Bush | |
| 8 S9 | 2 | Metal Tap | |
| 9 K19 | 1 | Rubber Tap | |
| 10 T253 | 1 | Adjusting Mechanism (Slotted) | |
| 11 SK7 | 1 | Snap Ring | |
| 12 T252 | 1 | Washer | |
| 13 Y45 | 1 | Spring | |
| 14 S86 | 1 | Washer | |
| 15 S87 | 1 | Washer | |
| 16 S88 | 1 | Washer | |



| | | | |
|------------------------|-------------|--------------------|---------------------------------|
| ANDAC No | | 0810 30141 | |
| OE Reference No | | | |
| Application | | PAN 17 | |
| Description | | Caliper Repair Kit | |
| | Name | Qty. | |
| 1 | T21 | 1 | Guide Pin Ø29x91mm |
| 2 | C127 | 1 | Screw M16x1,5x87mm - 12.9 |
| 3 | T22 | 1 | Guide Pin Ø29x77mm |
| 4 | C129 | 1 | Screw M16x1,5x70mm |
| 5 | K18 | 1 | Boot |
| 6 | K16 | 2 | Boot |
| 7 | B5 | 3 | Bush |
| 8 | S9 | 2 | Metal Tap |
| 9 | K19 | 1 | Rubber Tap |
| 10 | T253 | 1 | Adjusting Mechanism (Slotted) |



| | | | |
|------------------------|-------------|--------------------|---------------------------|
| ANDAC No | | 0810 30142 | |
| OE Reference No | | | |
| Application | | PAN 17 | |
| Description | | Caliper Repair Kit | |
| | Name | Qty. | |
| 1 | T21 | 1 | Guide Pin Ø29x91mm |
| 2 | C127 | 1 | Screw M16x1,5x87mm - 12.9 |
| 3 | T22 | 1 | Guide Pin Ø29x77mm |
| 4 | C129 | 1 | Screw M16x1,5x70mm |
| 5 | K18 | 1 | Boot |
| 6 | K16 | 2 | Boot |
| 7 | B5 | 3 | Bush |
| 8 | S9 | 2 | Metal Tap |
| 9 | K19 | 1 | Rubber Tap |
| 10 | K20 | 1 | Seal |
| 11 | K21 | 1 | Gasket |
| 12 | C15 | 8 | Screw M10x1x40mm |



WABCO PAN 17

| ANDAC No | | 0810 30143 | |
|-----------------|------|--|--|
| OE Reference No | | 12999699VT - 12999702 - 1436853 - 42536957 | |
| Application | | PAN 17 | |
| Description | | Caliper Repair Kit | |
| Name | Qty. | | |
| 1 T21 | 1 | Guide Pin Ø29x91mm | |
| 2 C127 | 1 | Screw M16x1,5x87mm - 12.9 | |
| 3 T22 | 1 | Guide Pin Ø29x77mm | |
| 4 C129 | 1 | Screw M16x1,5x70mm | |
| 5 K18 | 1 | Boot | |
| 6 K16 | 2 | Boot | |
| 7 B5 | 3 | Bush | |
| 8 S9 | 2 | Metal Tap | |
| 9 K19 | 1 | Rubber Tap | |



| ANDAC No | | 0810 30144 | |
|-----------------|------|--|--|
| OE Reference No | | 12999704VT - 5001852880 - 1519363 - 261112999704VT | |
| Application | | PAN 17 | |
| Description | | Caliper Repair Kit | |
| Name | Qty. | | |
| 1 C127 | 1 | Screw M16x1,5x87mm - 12.9 | |
| 2 C129 | 1 | Screw M16x1,5x70mm | |
| 3 K18 | 1 | Boot | |
| 4 K16 | 2 | Boot | |
| 5 B5 | 3 | Bush | |
| 6 S9 | 2 | Metal Tap | |
| 7 K19 | 1 | Rubber Tap | |



| | | | |
|------------------------|------------------------------------|-------------|---------------------------|
| ANDAC No | 0810 30145 | | |
| OE Reference No | 12999580VT - 81508226003 - 1517407 | | |
| Application | PAN 17 | | |
| Description | Caliper Repair Kit | | |
| | Name | Qty. | |
| 1 | C127 | 1 | Screw M16x1,5x87mm - 12.9 |
| 2 | C129 | 1 | Screw M16x1,5x70mm |
| 3 | K18 | 1 | Boot |
| 4 | K16 | 2 | Boot |
| 5 | B5 | 3 | Bush |
| 6 | S9 | 2 | Metal Tap |
| 7 | K19 | 1 | Rubber Tap |
| 8 | K20 | 1 | Seal |
| 9 | K21 | 1 | Gasket |
| 10 | C15 | 8 | Screw M10x1x40mm |



| | | | |
|------------------------|--------------------|-------------|-----------|
| ANDAC No | 0810 30146 | | |
| OE Reference No | | | |
| Application | PAN 17 | | |
| Description | Caliper Repair Kit | | |
| | Name | Qty. | |
| 1 | K18 | 1 | Boot |
| 2 | K16 | 2 | Boot |
| 3 | B5 | 3 | Bush |
| 4 | S9 | 2 | Metal Tap |



| | | | |
|------------------------|--------------------|-------------|------|
| ANDAC No | 0810 30147 | | |
| OE Reference No | 6401759202 | | |
| Application | PAN 17 | | |
| Description | Caliper Repair Kit | | |
| | Name | Qty. | |
| 1 | K18 | 1 | Boot |
| 2 | K16 | 2 | Boot |



| ANDAC No | | 0810 30148 |
|-----------------|------|---------------------------|
| OE Reference No | | |
| Application | | PAN 17 |
| Description | | Caliper Repair Kit |
| Name | Qty. | |
| 1 T21 | 1 | Guide Pin Ø29x91mm |
| 2 C127 | 1 | Screw M16x1,5x87mm - 12.9 |
| 3 T22 | 1 | Guide Pin Ø29x77mm |
| 4 C129 | 1 | Screw M16x1,5x70mm |
| 5 C15 | 8 | Screw M10x1x40mm |



| ANDAC No | | 0810 30149 |
|-----------------|------|---------------------------|
| OE Reference No | | |
| Application | | PAN 17 |
| Description | | Caliper Repair Kit |
| Name | Qty. | |
| 1 T21 | 1 | Guide Pin Ø29x91mm |
| 2 C127 | 1 | Screw M16x1,5x87mm - 12.9 |
| 3 T22 | 1 | Guide Pin Ø29x77mm |
| 4 C129 | 1 | Screw M16x1,5x70mm |
| 5 B5 | 3 | Bush |



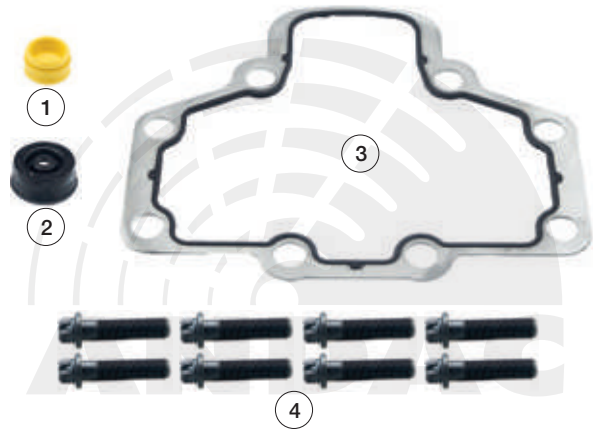
| ANDAC No | | 0810 30193 |
|-----------------|------|---------------------------|
| OE Reference No | | |
| Application | | PAN 17 |
| Description | | Caliper Repair Kit |
| Name | Qty. | |
| 1 K18 | 1 | Boot |
| 2 K16 | 2 | Boot |
| 3 K19 | 1 | Rubber Tap |
| 4 K20 | 1 | Seal |
| 5 S9 | 1 | Metal Tap |
| 6 S131 | 1 | Metal Tap |



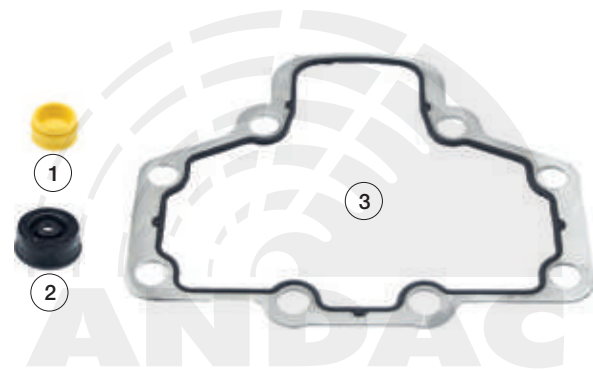
| | | | |
|------------------------|--------------------|-------------|-----------|
| ANDAC No | 0810 30194 | | |
| OE Reference No | | | |
| Application | PAN 17 | | |
| Description | Caliper Repair Kit | | |
| | Name | Qty. | |
| 1 | S9 | 1 | Metal Tap |
| 2 | S131 | 1 | Metal Tap |
| | | | |
| | | | |



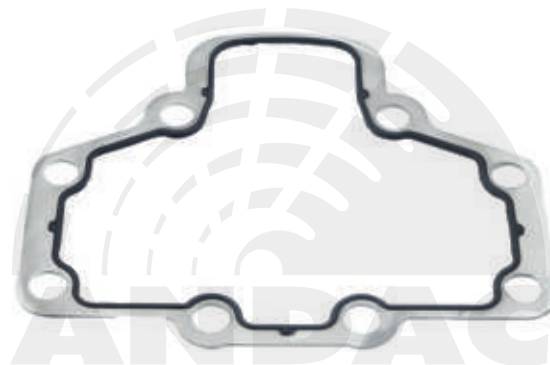
| | | | |
|------------------------|--------------------|-------------|------------------|
| ANDAC No | 0810 30150 | | |
| OE Reference No | | | |
| Application | PAN 17 | | |
| Description | Caliper Gasket Kit | | |
| | Name | Qty. | |
| 1 | K19 | 1 | Rubber Tap |
| 2 | K20 | 1 | Seal |
| 3 | K21 | 1 | Gasket |
| 4 | C15 | 8 | Screw M10x1x40mm |
| | | | |
| | | | |



| | | | |
|------------------------|--------------------|-------------|------------|
| ANDAC No | 0810 30151 | | |
| OE Reference No | | | |
| Application | PAN 17 | | |
| Description | Caliper Gasket Kit | | |
| | Name | Qty. | |
| 1 | K19 | 1 | Rubber Tap |
| 2 | K20 | 1 | Seal |
| 3 | K21 | 1 | Gasket |
| | | | |
| | | | |



| | | | |
|------------------------|-------------------|-------------|--------|
| ANDAC No | 0810 30152 | | |
| OE Reference No | | | |
| Application | PAN 17 | | |
| Description | Caliper Gasket | | |
| | Name | Qty. | |
| 1 | K21 | 1 | Gasket |
| | | | |
| | | | |



WABCO PAN 17

| | | | |
|------------------------|-------------|--------------------|------|
| ANDAC No | | 0810 30260 | |
| OE Reference No | | | |
| Application | | PAN 17 | |
| Description | | Caliper Repair Kit | |
| | Name | Qty. | |
| 1 | K146 | 5 | Boot |
| | | | |
| | | | |



| | | | |
|------------------------|-------------|--|------------|
| ANDAC No | | 0810 30222 | |
| OE Reference No | | 81.50822-6042 - 640 322 932 2 - 6403229322 - 81508226042 | |
| Application | | PAN 17 | |
| Description | | Caliper Gasket Kit | |
| | Name | Qty. | |
| 1 | K18 | 1 | Boot |
| 2 | K19 | 1 | Rubber Tap |
| | | | |
| | | | |



| | | | |
|------------------------|-------------|--|------------|
| ANDAC No | | 0810 30153 | |
| OE Reference No | | 6401759202 - 3434382900 - 0906197 - 13C3508278AB | |
| Application | | PAN 17 | |
| Description | | Caliper Repair Kit | |
| | Name | Qty. | |
| 1 | K18 | 1 | Boot |
| 2 | K19 | 1 | Rubber Tap |
| 3 | K20 | 1 | Seal |
| | | | |
| | | | |



| | | | |
|------------------------|-------------|------------------------------------|--------------------|
| ANDAC No | | 0810 30158 | |
| OE Reference No | | 6401759402 - 640 175 940 2 | |
| Application | | PAN 17 | |
| Description | | Caliper Push Plate Slotted (Right) | |
| | Name | Qty. | |
| 1 | T28 | 1 | Push Plate Slotted |
| | | | |
| | | | |



| | | |
|------------------------|-----------------------------------|-------------|
| ANDAC No | 0810 30159 | |
| OE Reference No | 6401759402 - 640 175 940 2 | |
| Application | PAN 17 | |
| Description | Caliper Push Plate Slotted (Left) | |
| | Name | Qty. |
| 1 | T29 | 1 |
| | Push Plate Slotted | |
| | | |
| | | |



| | | |
|------------------------|-------------------------------------|-------------|
| ANDAC No | 0810 30160 | |
| OE Reference No | 6401759402 - 640 175 940 2 | |
| Application | PAN 17 | |
| Description | Caliper Push Plate with Pin (Right) | |
| | Name | Qty. |
| 1 | T26 | 1 |
| | Push Plate | |
| | | |
| | | |



| | | |
|------------------------|------------------------------------|-------------|
| ANDAC No | 0810 30161 | |
| OE Reference No | 6401759402 - 640 175 940 2 | |
| Application | PAN 17 | |
| Description | Caliper Push Plate with Pin (Left) | |
| | Name | Qty. |
| 1 | T27 | 1 |
| | Push Plate | |
| | | |
| | | |



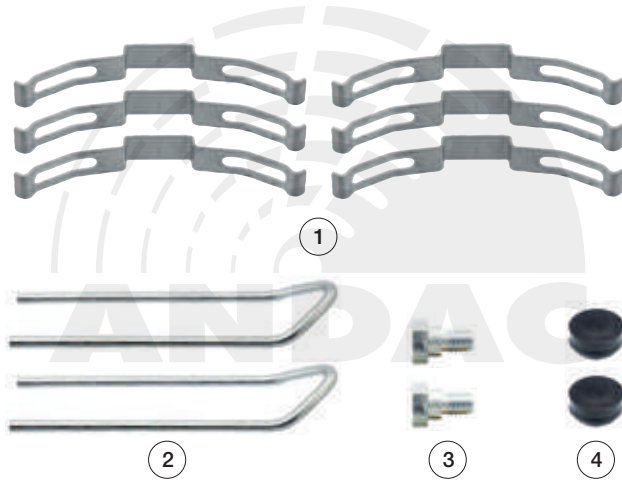
| | | |
|------------------------|---------------------|-------------|
| ANDAC No | 0810 30184 | |
| OE Reference No | | |
| Application | PAN 17 | |
| Description | Caliper Cover Plate | |
| | Name | Qty. |
| 1 | T296 | 1 |
| | Cover Plate | |
| | | |
| | | |



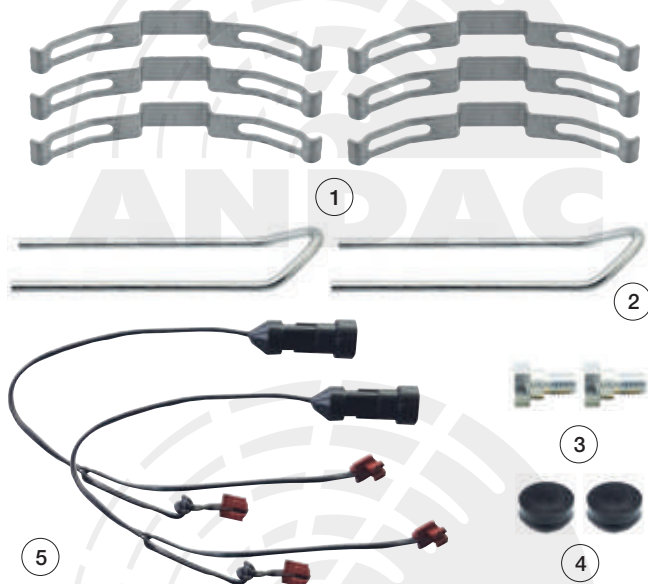
Outer Side

Inner Side

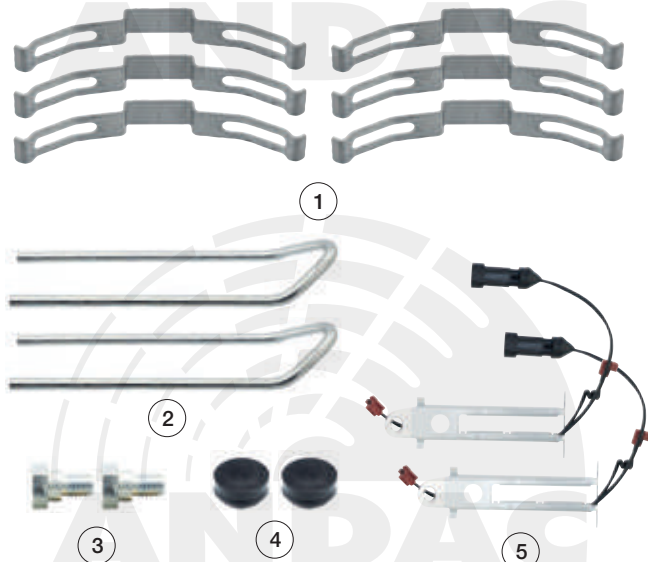
| ANDAC No | | 0810 30210 | |
|-----------------|------|--------------------------|--|
| OE Reference No | | WVA 29088 - 12999782 | |
| Application | | PAN 17 | |
| Description | | Caliper Pad Retainer Kit | |
| Name | Qty. | | |
| 1 S159 | 6 | Retention Spring | |
| 2 S158 | 2 | Pad Retainer | |
| 3 C73 | 2 | Screw | |
| 4 K140 | 2 | Rubber Tap | |



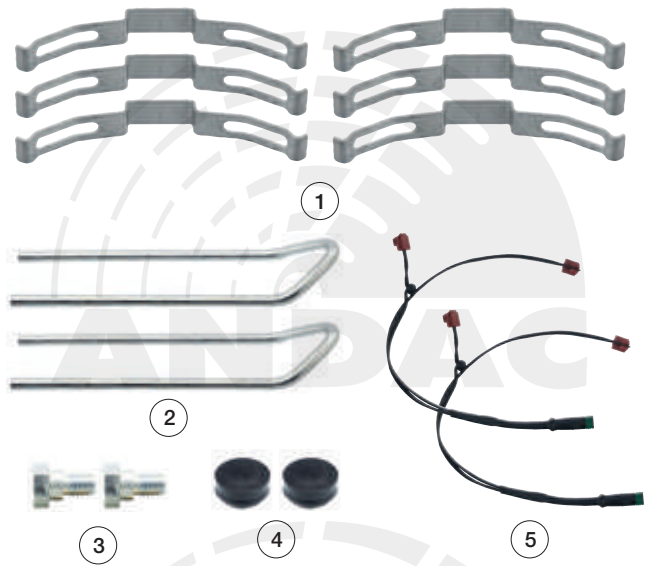
| ANDAC No | | 0810 30277 | |
|-----------------|------|-------------------|--|
| OE Reference No | | WVA 29088 | |
| Application | | PAN 17 | |
| Description | | Pad Indicator Kit | |
| Name | Qty. | | |
| 1 S159 | 6 | Retention Spring | |
| 2 S158 | 2 | Pad Retainer | |
| 3 C73 | 2 | Screw | |
| 4 K140 | 2 | Rubber Tap | |
| 5 KB001 | 2 | Indicator Cable | |



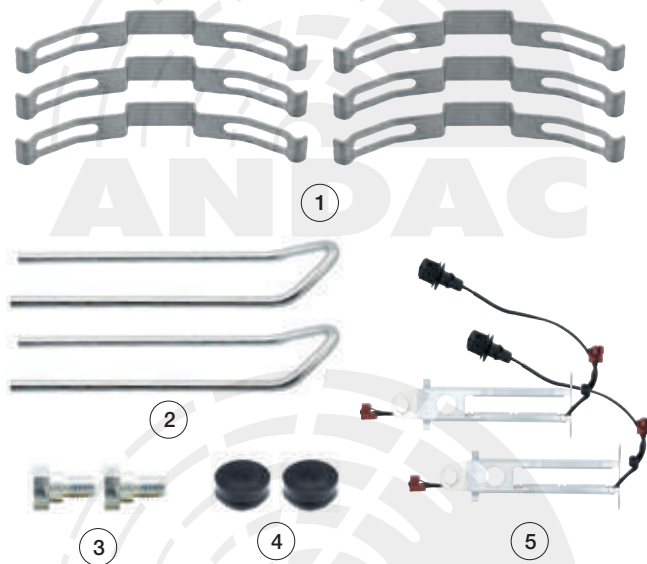
| ANDAC No | | 0810 30278 | |
|-----------------|------|-------------------|--|
| OE Reference No | | WVA 29088 | |
| Application | | PAN 17 | |
| Description | | Pad Indicator Kit | |
| Name | Qty. | | |
| 1 S159 | 6 | Retention Spring | |
| 2 S158 | 2 | Pad Retainer | |
| 3 C73 | 2 | Screw | |
| 4 K140 | 2 | Rubber Tap | |
| 5 KB002 | 2 | Indicator Cable | |



| | | |
|------------------------|--|-------------|
| ANDAC No | 0810 30279 | |
| OE Reference No | WVA 29088 - 12182145 - 12182192 - 12999577 | |
| Application | PAN 17 | |
| Description | Pad Indicator Kit | |
| | Name | Qty. |
| 1 | S159 | 6 |
| 2 | S158 | 2 |
| 3 | C73 | 2 |
| 4 | K140 | 2 |
| 5 | KB006 | 2 |



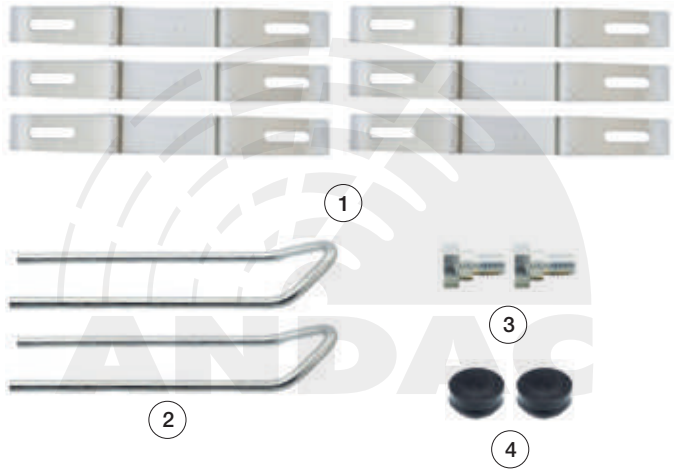
| | | |
|------------------------|------------------------|-------------|
| ANDAC No | 0810 30282 | |
| OE Reference No | WVA 29088 - 5010848607 | |
| Application | PAN 17 | |
| Description | Pad Indicator Kit | |
| | Name | Qty. |
| 1 | S159 | 6 |
| 2 | S158 | 2 |
| 3 | C73 | 2 |
| 4 | K140 | 2 |
| 5 | KB013 | 2 |



| | | |
|------------------------|------------------------|-------------|
| ANDAC No | 0810 30226 | |
| OE Reference No | | |
| Application | PAN 17 | |
| Description | Caliper Rubber Tap Kit | |
| | Name | Qty. |
| 1 | K19 | 2 |
| 2 | K20 | 2 |



| | | | |
|------------------------|-------------|--------------------------|------------------|
| ANDAC No | | 0810 30363 | |
| OE Reference No | | | |
| Application | | PAN 17-1 - MINIVAN | |
| Description | | Caliper Pad Retainer Kit | |
| | Name | Qty. | |
| 1 | S306 | 6 | Retention Spring |
| 2 | S158 | 2 | Pad Retainer |
| 3 | C73 | 2 | Screw |
| 4 | K140 | 2 | Rubber Tap |
| | | | |
| | | | |
| | | | |
| | | | |





WABCO
PAN 19-1 / 22-1



WABCO
PAN 19-1 / 22-1

| | | | |
|------------------------|-------------|--------------------------------------|---------------------|
| ANDAC No | | 0810 30101 | |
| OE Reference No | | | |
| Application | | PAN 19-1 / PAN 22-1 | |
| Description | | Caliper Adjusting Mechanism Complete | |
| | Name | Qty. | |
| 1 | T261 | 1 | Adjusting Mechanism |
| 2 | Y44 | 2 | Spring |
| | | | |
| | | | |
| | | | |
| | | | |
| | | | |



| | | | |
|------------------------|-------------|--------------------------------------|---------------------|
| ANDAC No | | 0810 30168 | |
| OE Reference No | | | |
| Application | | PAN 19-1 / PAN 22-1 | |
| Description | | Caliper Adjusting Mechanism Complete | |
| | Name | Qty. | |
| 1 | T261 | 1 | Adjusting Mechanism |
| | | | |
| | | | |
| | | | |
| | | | |



| | | | |
|------------------------|-------------|---------------------|--------|
| ANDAC No | | 0810 30104 | |
| OE Reference No | | | |
| Application | | PAN 19-1 / PAN 22-1 | |
| Description | | Caliper Bridge | |
| | Name | Qty. | |
| 1 | T250 | 1 | Bridge |
| | | | |
| | | | |
| | | | |
| | | | |



WABCO
PAN 19-1 / 22-1

| ANDAC No | | 0810 30171 | |
|-----------------|------|---------------------|--|
| OE Reference No | | | |
| Application | | PAN 19-1 / PAN 22-1 | |
| Description | | Caliper Bridge | |
| Name | Qty. | | |
| 1 T250 | 1 | Bridge | |
| 2 Y44 | 2 | Spring | |
| | | | |
| | | | |
| | | | |
| | | | |



| ANDAC No | | 0810 30106 | |
|-----------------|------|-----------------------------|--|
| OE Reference No | | | |
| Application | | PAN 19-1 / PAN 22-1 | |
| Description | | Caliper Adjusting Mechanism | |
| Name | Qty. | | |
| 1 T196 | 1 | Screw | |
| 2 T133 | 1 | Adjuster Pin | |
| 3 T134 | 1 | Retainer | |
| 4 Y12 | 1 | Spring | |
| 5 T135 | 1 | Clutch | |
| | | | |
| | | | |



| ANDAC No | | 0810 30173 | |
|-----------------|------|---------------------------------|--|
| OE Reference No | | | |
| Application | | PAN 19-1 / PAN 22-1 | |
| Description | | Caliper Adjusting Mechanism Kit | |
| Name | Qty. | | |
| 1 T196 | 1 | Screw | |
| 2 T133 | 1 | Adjuster Pin | |
| 3 T134 | 1 | Retainer | |
| 4 Y12 | 1 | Spring | |
| 5 T135 | 1 | Clutch | |
| 6 SK7 | 1 | Snap Ring | |
| 7 T252 | 1 | Washer | |
| 8 Y45 | 1 | Spring | |
| 9 S86 | 1 | Washer | |
| 10 S87 | 1 | Washer | |
| 11 S88 | 1 | Washer | |



| | | | |
|------------------------|--------------------------|-------------|-------|
| ANDAC No | 0810 30109 | | |
| OE Reference No | | | |
| Application | PAN 19-1 / PAN 22-1 | | |
| Description | Caliper Calibration Bolt | | |
| | Name | Qty. | |
| 1 | T196 | 1 | Screw |
| | | | |
| | | | |



| | | | |
|------------------------|---------------------|-------------|-------|
| ANDAC No | 0810 30112 | | |
| OE Reference No | | | |
| Application | PAN 19-1 / PAN 22-1 | | |
| Description | Caliper Lever | | |
| | Name | Qty. | |
| 1 | T251 | 1 | Lever |
| | | | |
| | | | |



| | | | |
|------------------------|---------------------|-------------|--------|
| ANDAC No | 0810 30176 | | |
| OE Reference No | | | |
| Application | PAN 19-1 / PAN 22-1 | | |
| Description | Caliper Lever | | |
| | Name | Qty. | |
| 1 | T251 | 1 | Lever |
| 2 | Y44 | 2 | Spring |
| | | | |
| | | | |



| | | | |
|------------------------|------------------------|-------------|----------------|
| ANDAC No | 0810 30113 | | |
| OE Reference No | | | |
| Application | PAN 19-1 / PAN 22-1 | | |
| Description | Caliper Roller Bearing | | |
| | Name | Qty. | |
| 1 | R13 | 2 | Roller Bearing |
| | | | |
| | | | |



WABCO PAN 19-1 / 22-1

| ANDAC No | | 0810 30114 | |
|-----------------|------|---------------------|--|
| OE Reference No | | | |
| Application | | PAN 19-1 / PAN 22-1 | |
| Description | | Caliper Repair Kit | |
| Name | Qty. | | |
| 1 SK7 | 1 | Snap Ring | |
| 2 T252 | 1 | Washer | |
| 3 Y45 | 1 | Spring | |
| 4 S86 | 1 | Washer | |
| 5 S87 | 1 | Washer | |
| 6 S88 | 1 | Washer | |



| ANDAC No | | 0810 30116 | |
|-----------------|------|---------------------------|--|
| OE Reference No | | | |
| Application | | PAN 19-1 / PAN 22-1 | |
| Description | | Caliper Repair Kit | |
| Name | Qty. | | |
| 1 T30 | 1 | Guide Pin Ø38x118mm | |
| 2 C10 | 1 | Screw M16x1,5x120mm | |
| 3 T31 | 1 | Guide Pin Ø38x76mm | |
| 4 C128 | 1 | Screw M16x1,5x80mm - 12.9 | |
| 5 S15 | 2 | Metal Ring | |
| 6 K17 | 2 | Boot | |
| 7 K18 | 1 | Boot | |
| 8 K19 | 1 | Rubber Tap | |
| 9 K20 | 1 | Seal | |
| 10 S5 | 1 | Metal Tap | |
| 11 S4 | 1 | Metal Tap | |
| 12 B6 | 3 | Bush | |
| 13 T261 | 1 | Adjusting Mechanism | |
| 14 Y44 | 2 | Spring | |
| 15 R13 | 2 | Roller Bearing | |
| 16 T251 | 1 | Lever | |



WABCO
PAN 19-1 / 22-1



| ANDAC No | | 0810 30117 | |
|-----------------|------|---------------------------|--|
| OE Reference No | | | |
| Application | | PAN 19-1 / PAN 22-1 | |
| Description | | Caliper Repair Kit | |
| Name | Qty. | | |
| 1 T30 | 1 | Guide Pin Ø38x118mm | |
| 2 C10 | 1 | Screw M16x1,5x120mm | |
| 3 T31 | 1 | Guide Pin Ø38x76mm | |
| 4 C128 | 1 | Screw M16x1,5x80mm - 12.9 | |
| 5 S15 | 2 | Metal Ring | |
| 6 K17 | 2 | Boot | |
| 7 K18 | 1 | Boot | |
| 8 K19 | 1 | Rubber Tap | |
| 9 K20 | 1 | Seal | |
| 10 S5 | 1 | Metal Tap | |
| 11 S4 | 1 | Metal Tap | |
| 12 B6 | 3 | Bush | |
| 13 T261 | 1 | Adjusting Mechanism | |
| 14 Y44 | 2 | Spring | |



| ANDAC No | | 0810 30177 | |
|-----------------|------|---------------------------|--|
| OE Reference No | | | |
| Application | | PAN 19-1 / PAN 22-1 | |
| Description | | Caliper Repair Kit | |
| Name | Qty. | | |
| 1 T30 | 1 | Guide Pin Ø38x118mm | |
| 2 C10 | 1 | Screw M16x1,5x120mm | |
| 3 T31 | 1 | Guide Pin Ø38x76mm | |
| 4 C128 | 1 | Screw M16x1,5x80mm - 12.9 | |
| 5 S15 | 2 | Metal Ring | |
| 6 K17 | 2 | Boot | |
| 7 K18 | 1 | Boot | |
| 8 K19 | 1 | Rubber Tap | |
| 9 S5 | 1 | Metal Tap | |
| 10 S4 | 1 | Metal Tap | |
| 11 B6 | 3 | Bush | |
| 12 T24 | 1 | Adjusting Mechanism | |
| 13 SK7 | 1 | Snap Ring | |
| 14 T252 | 1 | Washer | |
| 15 Y45 | 1 | Spring | |
| 16 S86 | 1 | Washer | |
| 17 S87 | 1 | Washer | |
| 18 S88 | 1 | Washer | |



| ANDAC No | | 0810 30118 | |
|-----------------|------|---------------------------|--|
| OE Reference No | | | |
| Application | | PAN 19-1 / PAN 22-1 | |
| Description | | Caliper Repair Kit | |
| Name | Qty. | | |
| 1 T30 | 1 | Guide Pin Ø38x118mm | |
| 2 C10 | 1 | Screw M16x1,5x120mm | |
| 3 T31 | 1 | Guide Pin Ø38x76mm | |
| 4 C128 | 1 | Screw M16x1,5x80mm - 12.9 | |
| 5 S15 | 2 | Metal Ring | |
| 6 K17 | 2 | Boot | |
| 7 K18 | 1 | Boot | |
| 8 K19 | 1 | Rubber Tap | |
| 9 S5 | 1 | Metal Tap | |
| 10 S4 | 1 | Metal Tap | |
| 11 B6 | 3 | Bush | |
| 12 T24 | 1 | Adjusting Mechanism | |



| ANDAC No | | 0810 30178 | |
|-----------------|------|---------------------------|--|
| OE Reference No | | | |
| Application | | PAN 19-1 / PAN 22-1 | |
| Description | | Caliper Repair Kit | |
| Name | Qty. | | |
| 1 T30 | 1 | Guide Pin Ø38x118mm | |
| 2 C10 | 1 | Screw M16x1,5x120mm | |
| 3 T31 | 1 | Guide Pin Ø38x76mm | |
| 4 C128 | 1 | Screw M16x1,5x80mm - 12.9 | |
| 5 S15 | 4 | Metal Ring | |
| 6 K17 | 2 | Boot | |
| 7 K18 | 1 | Boot | |
| 8 K19 | 1 | Rubber Tap | |
| 9 S5 | 2 | Metal Tap | |
| 10 S4 | 2 | Metal Tap | |
| 11 B6 | 3 | Bush | |
| 12 T24 | 1 | Adjusting Mechanism | |
| 13 SK7 | 1 | Snap Ring | |
| 14 T252 | 1 | Washer | |
| 15 Y45 | 1 | Spring | |
| 16 S86 | 1 | Washer | |
| 17 S87 | 1 | Washer | |
| 18 S88 | 1 | Washer | |
| 19 K22 | 2 | Boot (White) | |



| | | |
|------------------------|---------------------|-------------|
| ANDAC No | 0810 30179 | |
| OE Reference No | | |
| Application | PAN 19-1 / PAN 22-1 | |
| Description | Caliper Repair Kit | |
| | Name | Qty. |
| 1 | T30 | 1 |
| 2 | C10 | 1 |
| 3 | T31 | 1 |
| 4 | C128 | 1 |
| 5 | S15 | 4 |
| 6 | K17 | 2 |
| 7 | K18 | 1 |
| 8 | K19 | 1 |
| 9 | S5 | 1 |
| 10 | S4 | 1 |
| 11 | B6 | 3 |
| 12 | T24 | 1 |
| 13 | SK7 | 1 |
| 14 | T252 | 1 |
| 15 | Y45 | 1 |
| 16 | S86 | 1 |
| 17 | S87 | 1 |
| 18 | S88 | 1 |
| 19 | K22 | 2 |



| | | |
|------------------------|---------------------|-------------|
| ANDAC No | 0810 30119 | |
| OE Reference No | | |
| Application | PAN 19-1 / PAN 22-1 | |
| Description | Caliper Repair Kit | |
| | Name | Qty. |
| 1 | T30 | 1 |
| 2 | C10 | 1 |
| 3 | T31 | 1 |
| 4 | C128 | 1 |
| 5 | S15 | 4 |
| 6 | K17 | 2 |
| 7 | K18 | 1 |
| 8 | K19 | 1 |
| 9 | S5 | 1 |
| 10 | S4 | 1 |
| 11 | B6 | 3 |
| 12 | T24 | 1 |
| 13 | K22 | 2 |



WABCO PAN 19-1 / 22-1

| ANDAC No | | 0810 30120 | |
|-----------------|------|---|--|
| OE Reference No | | 12999738VT - 1505890 - 3434382701 - 79787365 - 6402259212 | |
| Application | | PAN 19-1 / PAN 22-1 | |
| Description | | Caliper Repair Kit | |
| Name | Qty. | | |
| 1 T30 | 1 | Guide Pin Ø38x118mm | |
| 2 C10 | 1 | Screw M16x1,5x120mm | |
| 3 T31 | 1 | Guide Pin Ø38x76mm | |
| 4 C128 | 1 | Screw M16x1,5x80mm - 12.9 | |
| 5 S15 | 4 | Metal Ring | |
| 6 K17 | 2 | Boot | |
| 7 K18 | 1 | Boot | |
| 8 K19 | 1 | Rubber Tap | |
| 9 S5 | 2 | Metal Tap | |
| 10 S4 | 2 | Metal Tap | |
| 11 B6 | 3 | Bush | |
| 12 K22 | 2 | Boot (White) | |



| ANDAC No | | 0810 30121 | |
|-----------------|------|---------------------------|--|
| OE Reference No | | | |
| Application | | PAN 19-1 / PAN 22-1 | |
| Description | | Caliper Repair Kit | |
| Name | Qty. | | |
| 1 T30 | 1 | Guide Pin Ø38x118mm | |
| 2 C10 | 1 | Screw M16x1,5x120mm | |
| 3 T31 | 1 | Guide Pin Ø38x76mm | |
| 4 C128 | 1 | Screw M16x1,5x80mm - 12.9 | |
| 5 S15 | 4 | Metal Ring | |
| 6 K17 | 2 | Boot | |
| 7 K18 | 1 | Boot | |
| 8 K19 | 1 | Rubber Tap | |
| 9 S5 | 1 | Metal Tap | |
| 10 S4 | 1 | Metal Tap | |
| 11 B6 | 3 | Bush | |
| 12 K22 | 2 | Boot (White) | |



| | | | |
|------------------------|--|-------------|---------------------------|
| ANDAC No | 0810 30122 | | |
| OE Reference No | 12999776 - 34344382800 - 1628065 - 1068119 - 6500700 - 501866626 - 85108166 - 6402259212 | | |
| Application | PAN 19-1 / PAN 22-1 | | |
| Description | Caliper Repair Kit | | |
| | Name | Qty. | |
| 1 | T30 | 1 | Guide Pin Ø38x118mm |
| 2 | C10 | 1 | Screw M16x1,5x120mm |
| 3 | T31 | 1 | Guide Pin Ø38x76mm |
| 4 | C128 | 1 | Screw M16x1,5x80mm - 12.9 |
| 5 | S15 | 2 | Metal Ring |
| 6 | K17 | 2 | Boot |
| 7 | K18 | 1 | Boot |
| 8 | K19 | 1 | Rubber Tap |
| 9 | S5 | 1 | Metal Tap |
| 10 | S4 | 2 | Metal Tap |
| 11 | B6 | 3 | Bush |



| | | | |
|------------------------|---------------------------|-------------|---------------------------|
| ANDAC No | 0810 30123 | | |
| OE Reference No | 6402259212- 640 225 921 2 | | |
| Application | PAN 19-1 / PAN 22-1 | | |
| Description | Caliper Repair Kit | | |
| | Name | Qty. | |
| 1 | T30 | 1 | Guide Pin Ø38x118mm |
| 2 | C10 | 1 | Screw M16x1,5x120mm |
| 3 | T31 | 1 | Guide Pin Ø38x76mm |
| 4 | C128 | 1 | Screw M16x1,5x80mm - 12.9 |
| 5 | S15 | 2 | Metal Ring |
| 6 | K17 | 2 | Boot |
| 7 | K18 | 1 | Boot |
| 8 | K19 | 1 | Rubber Tap |
| 9 | S5 | 1 | Metal Tap |
| 10 | S4 | 1 | Metal Tap |
| 11 | B6 | 3 | Bush |



WABCO PAN 19-1 / 22-1

| | | | |
|------------------------|-------------|-----------------------------------|---------------------------|
| ANDAC No | | 0810 30124 | |
| OE Reference No | | 12999678VT - 5021170488 - 0865966 | |
| Application | | PAN 19-1 / PAN 22-1 | |
| Description | | Caliper Repair Kit | |
| | Name | Qty. | |
| 1 | T30 | 1 | Guide Pin Ø38x118mm |
| 2 | C10 | 1 | Screw M16x1,5x120mm |
| 3 | T31 | 1 | Guide Pin Ø38x76mm |
| 4 | C128 | 1 | Screw M16x1,5x80mm - 12.9 |
| 5 | S15 | 2 | Metal Ring |
| 6 | K18 | 1 | Boot |
| 7 | K19 | 1 | Rubber Tap |
| 8 | S5 | 1 | Metal Tap |
| 9 | S4 | 1 | Metal Tap |
| 10 | B6 | 3 | Bush |
| 11 | K22 | 2 | Boot |



| | | | |
|------------------------|-------------|---------------------|--------------|
| ANDAC No | | 0810 30181 | |
| OE Reference No | | | |
| Application | | PAN 19-1 / PAN 22-1 | |
| Description | | Caliper Repair Kit | |
| | Name | Qty. | |
| 1 | S15 | 4 | Metal Ring |
| 2 | K18 | 1 | Boot |
| 3 | S5 | 2 | Metal Tap |
| 4 | S4 | 2 | Metal Tap |
| 5 | B6 | 3 | Bush |
| 6 | K17 | 2 | Boot |
| 7 | K22 | 2 | Boot (White) |



| | | | |
|------------------------|-------------|---------------------|--------------|
| ANDAC No | | 0810 30128 | |
| OE Reference No | | | |
| Application | | PAN 19-1 / PAN 22-1 | |
| Description | | Caliper Repair Kit | |
| | Name | Qty. | |
| 1 | S15 | 4 | Metal Ring |
| 2 | K18 | 1 | Boot |
| 3 | S5 | 1 | Metal Tap |
| 4 | S4 | 1 | Metal Tap |
| 5 | B6 | 3 | Bush |
| 6 | K17 | 2 | Boot |
| 7 | K22 | 2 | Boot (White) |



WABCO
PAN 19-1 / 22-1

| | | |
|------------------------|---------------------|--------------|
| ANDAC No | 0810 30129 | |
| OE Reference No | | |
| Application | PAN 19-1 / PAN 22-1 | |
| Description | Caliper Repair Kit | |
| | Name | Qty. |
| 1 | S15 | 2 Metal Ring |
| 2 | K18 | 1 Boot |
| 3 | S5 | 1 Metal Tap |
| 4 | S4 | 1 Metal Tap |
| 5 | B6 | 3 Bush |
| 6 | K17 | 2 Boot |



| | | |
|------------------------|---------------------|----------------|
| ANDAC No | 0810 30130 | |
| OE Reference No | | |
| Application | PAN 19-1 / PAN 22-1 | |
| Description | Caliper Repair Kit | |
| | Name | Qty. |
| 1 | S15 | 2 Metal Ring |
| 2 | K18 | 1 Boot |
| 3 | S5 | 1 Metal Tap |
| 4 | S4 | 1 Metal Tap |
| 5 | B6 | 3 Bush |
| 6 | K22 | 2 Boot (White) |



| | | |
|------------------------|---------------------|----------------|
| ANDAC No | 0810 30131 | |
| OE Reference No | | |
| Application | PAN 19-1 / PAN 22-1 | |
| Description | Caliper Repair Kit | |
| | Name | Qty. |
| 1 | S15 | 4 Metal Ring |
| 2 | K18 | 1 Boot |
| 3 | S5 | 1 Metal Tap |
| 4 | S4 | 1 Metal Tap |
| 5 | K17 | 2 Boot |
| 6 | K22 | 2 Boot (White) |



WABCO
PAN 19-1 / 22-1

WABCO PAN 19-1 / 22-1

| | | | |
|------------------------|-------------|---------------------|------------|
| ANDAC No | | 0810 30132 | |
| OE Reference No | | | |
| Application | | PAN 19-1 / PAN 22-1 | |
| Description | | Caliper Repair Kit | |
| | Name | Qty. | |
| 1 | S15 | 2 | Metal Ring |
| 2 | K18 | 1 | Boot |
| 3 | K17 | 2 | Boot |



| | | | |
|------------------------|-------------|---------------------|--------------|
| ANDAC No | | 0810 30133 | |
| OE Reference No | | | |
| Application | | PAN 19-1 / PAN 22-1 | |
| Description | | Caliper Repair Kit | |
| | Name | Qty. | |
| 1 | S15 | 2 | Metal Ring |
| 2 | K18 | 1 | Boot |
| 3 | K22 | 2 | Boot (White) |



| | | | |
|------------------------|-------------|---------------------|------|
| ANDAC No | | 0810 30260 | |
| OE Reference No | | | |
| Application | | PAN 19-1 / PAN 22-1 | |
| Description | | Caliper Gasket | |
| | Name | Qty. | |
| 1 | K146 | 5 | Boot |



WABCO
PAN 19-1 / 22-1

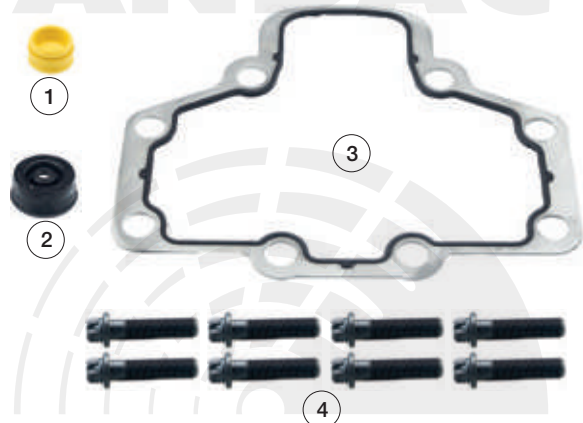
| | | |
|------------------------|---------------------|-------------|
| ANDAC No | 0810 30134 | |
| OE Reference No | | |
| Application | PAN 19-1 / PAN 22-1 | |
| Description | Caliper Repair Kit | |
| | Name | Qty. |
| 1 | T30 | 1 |
| 2 | C10 | 1 |
| 3 | T31 | 1 |
| 4 | C128 | 1 |
| 5 | B6 | 3 |
| | | |
| | | |
| | | |



| | | |
|------------------------|---------------------|-------------|
| ANDAC No | 0810 30135 | |
| OE Reference No | | |
| Application | PAN 19-1 / PAN 22-1 | |
| Description | Caliper Repair Kit | |
| | Name | Qty. |
| 1 | T30 | 1 |
| 2 | C10 | 1 |
| 3 | T31 | 1 |
| 4 | C128 | 1 |
| 5 | C15 | 8 |
| | | |
| | | |
| | | |



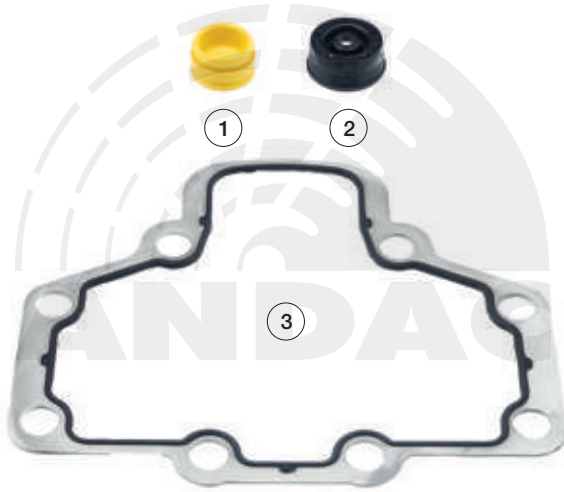
| | | |
|------------------------|---------------------|-------------|
| ANDAC No | 0810 30150 | |
| OE Reference No | | |
| Application | PAN 19-1 / PAN 22-1 | |
| Description | Caliper Gasket Kit | |
| | Name | Qty. |
| 1 | K19 | 1 |
| 2 | K20 | 1 |
| 3 | K21 | 1 |
| 4 | C15 | 8 |
| | | |
| | | |
| | | |



WABCO
PAN 19-1 / 22-1

WABCO PAN 19-1 / 22-1

| | | | |
|------------------------|-------------|---------------------|------------|
| ANDAC No | | 0810 30151 | |
| OE Reference No | | | |
| Application | | PAN 19-1 / PAN 22-1 | |
| Description | | Caliper Gasket Kit | |
| | Name | Qty. | |
| 1 | K19 | 1 | Rubber Tap |
| 2 | K20 | 1 | Seal |
| 3 | K21 | 1 | Gasket |



| | | | |
|------------------------|-------------|---------------------|--------|
| ANDAC No | | 0810 30152 | |
| OE Reference No | | | |
| Application | | PAN 19-1 / PAN 22-1 | |
| Description | | Caliper Gasket | |
| | Name | Qty. | |
| 1 | K21 | 1 | Gasket |



| | | | |
|------------------------|-------------|--|------------|
| ANDAC No | | 0810 30222 | |
| OE Reference No | | 81.50822-6042 - 640 322 932 2 - 6403229322 - 81508226042 | |
| Application | | PAN 19-1 / PAN 22-1 | |
| Description | | Caliper Repair Kit | |
| | Name | Qty. | |
| 1 | K18 | 1 | Boot |
| 2 | K19 | 1 | Rubber Tap |



WABCO
PAN 19-1 / 22-1

WABCO PAN 19-1 / 22-1

| | | | |
|------------------------|--|-------------|------------|
| ANDAC No | 0810 30153 | | |
| OE Reference No | 6401759202 - 3434382900 - 0906197 - 13C3508278AB | | |
| Application | PAN 19-1 / PAN 22-1 | | |
| Description | Caliper Repair Kit | | |
| | Name | Qty. | |
| 1 | K18 | 1 | Boot |
| 2 | K19 | 1 | Rubber Tap |
| 3 | K20 | 1 | Seal |



| | | | |
|------------------------|------------------------------------|-------------|--------------------|
| ANDAC No | 0810 30156 | | |
| OE Reference No | 6401959362 - 640 195 936 2 | | |
| Application | PAN 19-1 / PAN 22-1 | | |
| Description | Caliper Push Plate Slotted (Right) | | |
| | Name | Qty. | |
| 1 | T202 | 1 | Push Plate Slotted |



| | | | |
|------------------------|-----------------------------------|-------------|--------------------|
| ANDAC No | 0810 30157 | | |
| OE Reference No | 6401959362 - 640 195 936 2 | | |
| Application | PAN 19-1 / PAN 22-1 | | |
| Description | Caliper Push Plate Slotted (Left) | | |
| | Name | Qty. | |
| 1 | T201 | 1 | Push Plate Slotted |



| | | | |
|------------------------|------------------------------------|-------------|--------------------|
| ANDAC No | 0810 30154 | | |
| OE Reference No | 6402259262 - 640 225 926 2 | | |
| Application | PAN 19-1 / PAN 22-1 | | |
| Description | Caliper Push Plate Slotted (Right) | | |
| | Name | Qty. | |
| 1 | T32 | 1 | Push Plate Slotted |



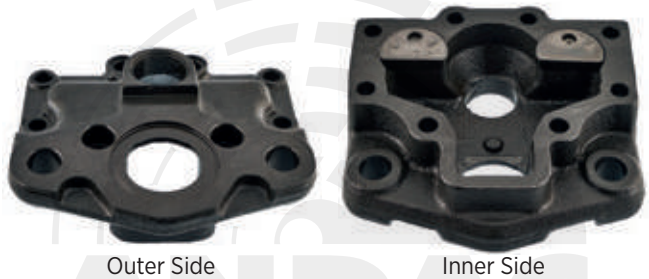
WABCO
PAN 19-1 / 22-1

WABCO PAN 19-1 / 22-1

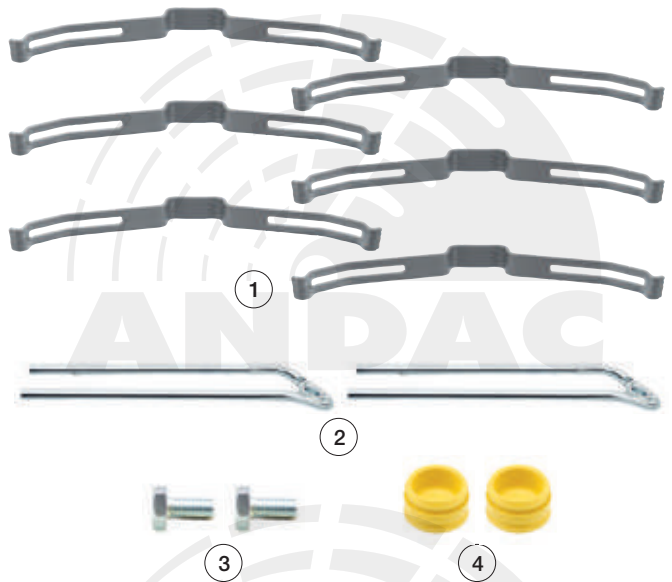
| | | | |
|------------------------|-------------|-----------------------------------|--------------------|
| ANDAC No | | 0810 30155 | |
| OE Reference No | | 6402259262 - 640 225 926 2 | |
| Application | | PAN 19-1 / PAN 22-1 | |
| Description | | Caliper Push Plate Slotted (Left) | |
| | Name | Qty. | |
| 1 | T33 | 1 | Push Plate Slotted |
| | | | |
| | | | |



| | | | |
|------------------------|-------------|---------------------|-------------|
| ANDAC No | | 0810 30185 | |
| OE Reference No | | | |
| Application | | PAN 19-1 / PAN 22-1 | |
| Description | | Caliper Cover Plate | |
| | Name | Qty. | |
| 1 | T297 | 1 | Cover Plate |
| | | | |
| | | | |

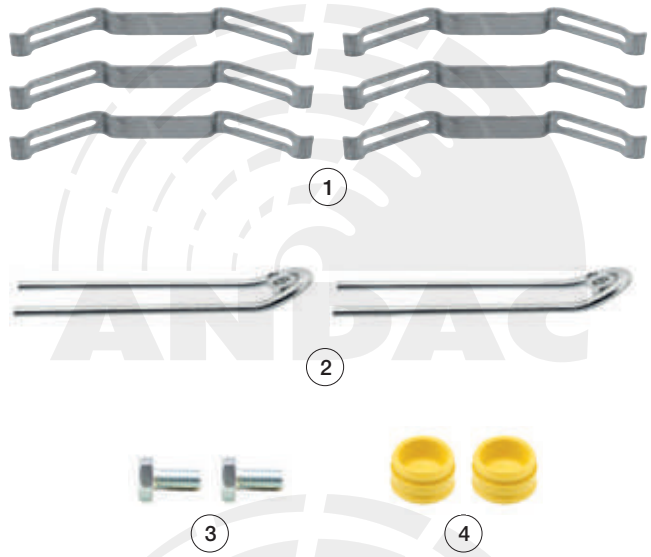


| | | | |
|------------------------|-------------|--------------------------|------------------|
| ANDAC No | | 0810 30208 | |
| OE Reference No | | WVA 29162 | |
| Application | | PAN 22-1 | |
| Description | | Caliper Pad Retainer Kit | |
| | Name | Qty. | |
| 1 | S155 | 6 | Retention Spring |
| 2 | S154 | 2 | Pad Retainer |
| 3 | C57 | 2 | Screw |
| 4 | K19 | 2 | Rubber Tap |
| | | | |
| | | | |

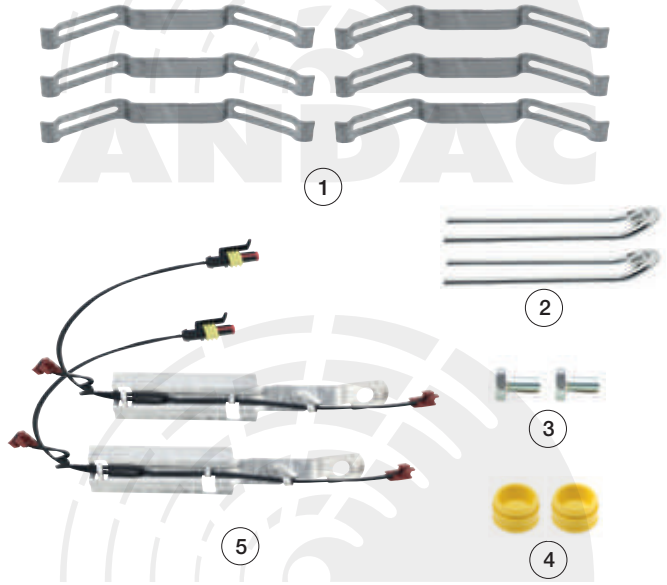


WABCO
PAN 19-1 / 22-1

| | | |
|------------------------|--------------------------|--------------------|
| ANDAC No | 0810 30209 | |
| OE Reference No | WVA 29126 - 29159 | |
| Application | PAN 19-1 | |
| Description | Caliper Pad Retainer Kit | |
| | Name | Qty. |
| 1 | S157 | 6 Retention Spring |
| 2 | S156 | 2 Pad Retainer |
| 3 | C57 | 2 Screw |
| 4 | K19 | 2 Rubber Tap |



| | | |
|------------------------|---|--------------------|
| ANDAC No | 0810 30283 | |
| OE Reference No | WVA 29159 - 29126 - 1628064 - 12999797 68323004 - 3424200100 | |
| Application | PAN 19-1 | |
| Description | Caliper Pad Retainer Kit | |
| | Name | Qty. |
| 1 | S157 | 6 Retention Spring |
| 2 | S156 | 2 Pad Retainer |
| 3 | C57 | 2 Screw |
| 4 | K19 | 2 Rubber Tap |
| 5 | KB014 | 2 Indicator Cable |



| | | |
|------------------------|------------------------|--------------|
| ANDAC No | 0810 30226 | |
| OE Reference No | | |
| Application | PAN 19-1 / PAN 22-1 | |
| Description | Caliper Rubber Tap Kit | |
| | Name | Qty. |
| 1 | K19 | 2 Rubber Tap |
| 2 | K20 | 2 Seal |



WABCO
PAN 19-1 / 22-1

WABCO
PAN 19-2 / 22-2



ANDAC

WABCO
PAN 19-2 / 22-2

| | | | |
|------------------------|--|-------------|---------------------------|
| ANDAC No | 0810 30125 | | |
| OE Reference No | 12999746VT - 1440505 - 5001858722 - 261112999746VT | | |
| Application | PAN 19-2 | | |
| Description | Caliper Repair Kit | | |
| | Name | Qty. | |
| 1 | T30 | 1 | Guide Pin Ø38x118mm |
| 2 | C10 | 1 | Screw M16x1,5x120mm |
| 3 | T31 | 1 | Guide Pin Ø38x76mm |
| 4 | C128 | 1 | Screw M16x1,5x80mm - 12.9 |
| 5 | S15 | 2 | Metal Ring |
| 6 | K22 | 2 | Boot (White) |
| 7 | K59T136 | 2 | Tappet and Boot |
| 8 | SK6 | 2 | Snap Ring |
| 9 | K19 | 2 | Rubber Tap |
| 10 | S5 | 1 | Metal Tap |
| 11 | S4 | 1 | Metal Tap |
| 12 | B6 | 3 | Bush |



| | | | |
|------------------------|-----------------------------------|-------------|---------------------------|
| ANDAC No | 0810 30180 | | |
| OE Reference No | 12999677VT - 5021170487 - 0865965 | | |
| Application | PAN 19-2 | | |
| Description | Caliper Repair Kit | | |
| | Name | Qty. | |
| 1 | C10 | 1 | Screw M16x1,5x120mm |
| 2 | C128 | 1 | Screw M16x1,5x80mm - 12.9 |
| 3 | S15 | 2 | Metal Ring |
| 4 | K22 | 2 | Boot (White) |
| 5 | K59T136 | 2 | Tappet and Boot |
| 6 | SK6 | 2 | Snap Ring |
| 7 | K19 | 2 | Rubber Tap |
| 8 | S5 | 1 | Metal Tap |
| 9 | S4 | 1 | Metal Tap |



| | | | |
|------------------------|-------------|--------------------|---------------------------|
| ANDAC No | | 0810 30287 | |
| OE Reference No | | 12999678VT | |
| Application | | PAN 22-2 | |
| Description | | Caliper Repair Kit | |
| | Name | Qty. | |
| 1 | T672 | 1 | Guide Pin Ø38x128mm |
| 2 | C115 | 1 | Screw M16x1,5x130mm |
| 3 | T673 | 1 | Guide Pin Ø38x70mm |
| 4 | C128 | 1 | Screw M16x1,5x80mm - 12.9 |
| 5 | S15 | 2 | Metal Ring |
| 6 | K22 | 2 | Boot (White) |
| 7 | S5 | 1 | Metal Tap |
| 8 | S246 | 1 | Ring |
| 9 | B6 | 3 | Bush |
| 10 | K175 | 1 | Bellow Cap |



| | | | |
|------------------------|-------------|--------------------|---------------------------|
| ANDAC No | | 0810 30289 | |
| OE Reference No | | 12999677VT | |
| Application | | PAN 22-2 | |
| Description | | Caliper Repair Kit | |
| | Name | Qty. | |
| 1 | C115 | 1 | Screw M16x1,5x130mm |
| 2 | C128 | 1 | Screw M16x1,5x80mm - 12.9 |
| 3 | S15 | 2 | Metal Ring |
| 4 | K22 | 2 | Boot (White) |
| 5 | K59T136 | 2 | Tappet and Boot |
| 6 | SK6 | 2 | Snap Ring |
| 7 | S5 | 1 | Metal Tap |
| 8 | S246 | 1 | Ring |
| 9 | K175 | 1 | Bellow Cap |
| 10 | K19 | 2 | Rubber Tap |



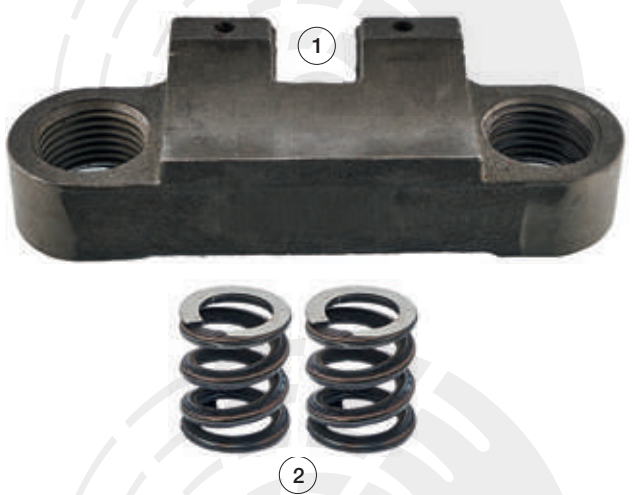
| | | | |
|------------------------|-------------|--------------------|-----------------|
| ANDAC No | | 0810 30126 | |
| OE Reference No | | | |
| Application | | PAN 19-2 PAN 22-2 | |
| Description | | Caliper Repair Kit | |
| | Name | Qty. | |
| 1 | S15 | 2 | Metal Ring |
| 2 | K22 | 2 | Boot (White) |
| 3 | K59T136 | 2 | Tappet and Boot |
| 4 | SK6 | 2 | Snap Ring |



| | | |
|------------------------|--------------------|-------------------|
| ANDAC No | 0810 30127 | |
| OE Reference No | | |
| Application | PAN 19-2 PAN 22-2 | |
| Description | Caliper Repair Kit | |
| | Name | Qty. |
| 1 | K59T136 | 2 Tappet and Boot |
| 2 | SK6 | 2 Snap Ring |
| | | |
| | | |
| | | |
| | | |
| | | |



| | | |
|------------------------|-------------------|-------------|
| ANDAC No | 0810 30162 | |
| OE Reference No | | |
| Application | PAN 19-2 PAN 22-2 | |
| Description | Caliper Bridge | |
| | Name | Qty. |
| 1 | T254 | 1 Bridge |
| 2 | Y46 | 2 Spring |
| | | |
| | | |
| | | |
| | | |



| | | |
|------------------------|-------------------------|----------------------------|
| ANDAC No | 0810 30163 | |
| OE Reference No | | |
| Application | PAN 19-2 PAN 22-2 | |
| Description | Caliper Bridge Assembly | |
| | Name | Qty. |
| 1 | T254 | 1 Bridge |
| 2 | T255 | 1 Calibration Bolt (Right) |
| 3 | T256 | 1 Calibration Bolt (Left) |
| 4 | T257 | 2 Locking Shim |
| 5 | Y46 | 2 Spring |
| 6 | SK8 | 2 Snap Ring |
| | | |
| | | |
| | | |



WABCO
PAN 19-2 / 22-2

WABCO PAN 19-2 / 22-2

| | | | |
|------------------------|-------------|------------------------------------|--------------------------|
| ANDAC No | | 0810 30164 | |
| OE Reference No | | | |
| Application | | PAN 19-2 PAN 22-2 | |
| Description | | Caliper Calibration Bolt (Right) | |
| | Name | Qty. | |
| 1 | T255 | 1 | Calibration Bolt (Right) |
| | | | |
| | | | |



| | | | |
|------------------------|-------------|-----------------------------------|-------------------------|
| ANDAC No | | 0810 30165 | |
| OE Reference No | | | |
| Application | | PAN 19-2 PAN 22-2 | |
| Description | | Caliper Calibration Bolt (Left) | |
| | Name | Qty. | |
| 1 | T256 | 1 | Calibration Bolt (Left) |
| | | | |
| | | | |



| | | | |
|------------------------|-------------|--|--------------------------|
| ANDAC No | | 0810 30166 | |
| OE Reference No | | | |
| Application | | PAN 19-2 PAN 22-2 | |
| Description | | Caliper Calibration Bolt Kit (Right) | |
| | Name | Qty. | |
| 1 | T255 | 1 | Calibration Bolt (Right) |
| 2 | T257 | 1 | Locking Shim |
| 3 | SK8 | 1 | Snap Ring |
| | | | |
| | | | |



| | | | |
|------------------------|-------------|---------------------------------------|-------------------------|
| ANDAC No | | 0810 30167 | |
| OE Reference No | | | |
| Application | | PAN 19-2 PAN 22-2 | |
| Description | | Caliper Calibration Bolt Kit (Left) | |
| | Name | Qty. | |
| 1 | T256 | 1 | Calibration Bolt (Left) |
| 2 | T257 | 1 | Locking Shim |
| 3 | SK8 | 1 | Snap Ring |
| | | | |
| | | | |



| | | | |
|------------------------|-------------|-------------------|----------------------------|
| ANDAC No | | 0810 30261 | |
| OE Reference No | | | |
| Application | | PAN 19-2 PAN 22-2 | |
| Description | | Caliper Lever | |
| | Name | Qty. | |
| 1 | T548 | 1 | Lever (Without Adjuster) |
| | | | |
| | | | |



| | | | |
|------------------------|-------------|-------------------|-------|
| ANDAC No | | 0810 30216 | |
| OE Reference No | | | |
| Application | | PAN 19-2 PAN 22-2 | |
| Description | | Caliper Lever | |
| | Name | Qty. | |
| 1 | T390 | 1 | Lever |
| | | | |
| | | | |



| | | | |
|------------------------|-------------|-----------------------|---------|
| ANDAC No | | 0810 30218 | |
| OE Reference No | | | |
| Application | | PAN 19-2 PAN 22-2 | |
| Description | | Caliper Lever Housing | |
| | Name | Qty. | |
| 1 | T393 | 1 | Housing |
| | | | |
| | | | |



| | | | |
|------------------------|-------------|------------------------|----------------|
| ANDAC No | | 0810 30220 | |
| OE Reference No | | | |
| Application | | PAN 19-2 PAN 22-2 | |
| Description | | Caliper Roller Bearing | |
| | Name | Qty. | |
| 1 | R41 | 2 | Roller Bearing |
| 2 | R42 | 2 | Roller Bearing |
| | | | |
| | | | |



WABCO PAN 19-2 / 22-2

| ANDAC No | | 0810 30217 |
|-----------------|------|----------------------------|
| OE Reference No | | |
| Application | | PAN 19-2 PAN 22-2 |
| Description | | Caliper Mechanism Gear Kit |
| | Name | Qty. |
| 1 | T391 | 1 Gear (Right) |
| 2 | T392 | 1 Gear (Left) |
| 3 | Y28 | 2 Spring |



| ANDAC No | | 0810 30221 |
|-----------------|------|------------------------|
| OE Reference No | | |
| Application | | PAN 19-2 PAN 22-2 |
| Description | | Caliper Lever Gear Set |
| | Name | Qty. |
| 1 | T394 | 2 Lever Gear |



| ANDAC No | | 0810 30227 |
|-----------------|------|-----------------------------|
| OE Reference No | | |
| Application | | PAN 19-2 PAN 22-2 |
| Description | | Caliper Mechanism Shaft Set |
| | Name | Qty. |
| 1 | T298 | 2 Shaft7 |
| 2 | S34 | 4 Washer |
| 3 | Y28 | 2 Spring |
| 4 | SK21 | 2 Snap Ring |



| ANDAC No | | 0810 30230 |
|-----------------|------|-----------------------------|
| OE Reference No | | |
| Application | | PAN 19-2 PAN 22-2 |
| Description | | Caliper Mechanism Shaft Set |
| | Name | Qty. |
| 1 | T298 | 2 Shaft7 |



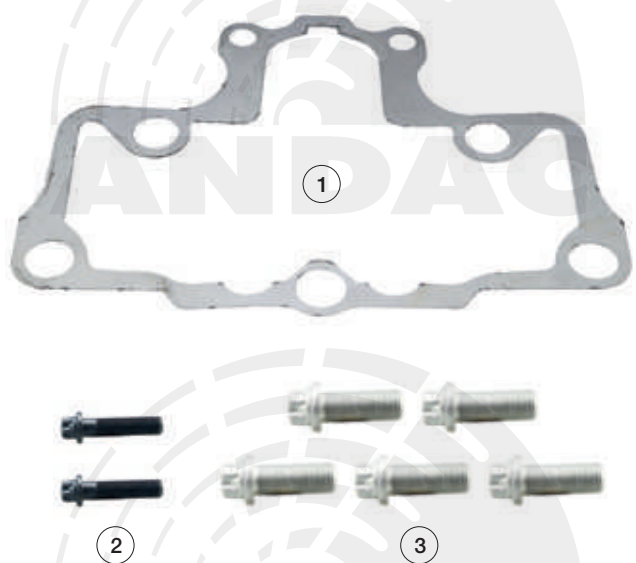
| | | | |
|------------------------|-------------|------------------------------------|------------------|
| ANDAC No | | 0810 30229 | |
| OE Reference No | | | |
| Application | | PAN 19-2 PAN 22-2 | |
| Description | | Caliper Lever Mechanism Repair Kit | |
| | Name | Qty. | |
| 1 | T357 | 1 | Mechanism Shaft |
| 2 | T396 | 1 | Mechanism Clutch |
| 3 | R19 | 1 | Clutch Bearing |
| 4 | T394 | 2 | Lever Gear |
| 5 | SK21 | 2 | Snap Ring |
| 6 | Y27 | 1 | Spring |
| 7 | SK22 | 1 | Snap Ring |
| 8 | S71 | 1 | Washer |
| 9 | S72 | 1 | Washer |



| | | | |
|------------------------|-------------|------------------------|------------|
| ANDAC No | | 0810 30226 | |
| OE Reference No | | | |
| Application | | PAN 19-2 PAN 22-2 | |
| Description | | Caliper Rubber Tap Kit | |
| | Name | Qty. | |
| 1 | K19 | 2 | Rubber Tap |
| 2 | K20 | 2 | Seal |

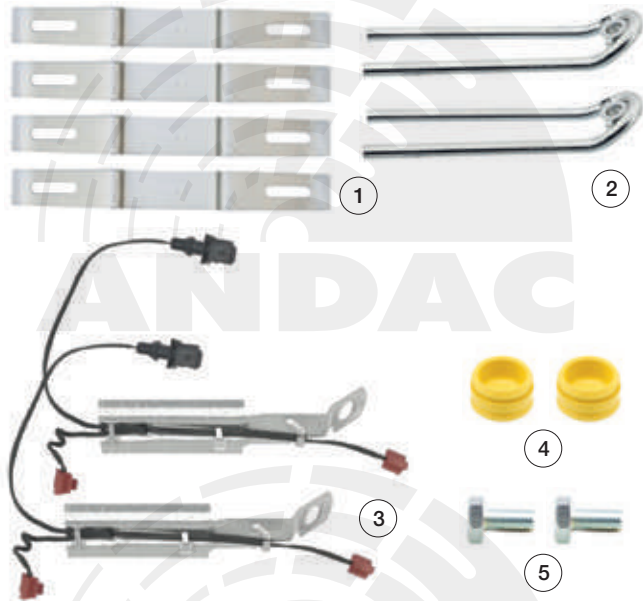


| | | | |
|------------------------|-------------|--------------------|--------------------|
| ANDAC No | | 0810 30219 | |
| OE Reference No | | | |
| Application | | PAN 19-2 PAN 22-2 | |
| Description | | Caliper Gasket Kit | |
| | Name | Qty. | |
| 1 | K142 | 1 | Cover Gasket |
| 2 | C15 | 2 | Screw M10x1,0x40mm |
| 3 | C14 | 5 | Screw M16x1,5x40mm |



WABCO PAN 19-2 / 22-2

| ANDAC No | | 0810 30280 | |
|-----------------|------|--|--|
| OE Reference No | | WVA 29141 - 29142 - 29119 - 68323004 - 969900275 - 34424200900 | |
| Application | | PAN 19-2 PAN 22-2 | |
| Description | | Pad Indicator Kit | |
| Name | Qty. | | |
| 1 S210 | 4 | Retention Spring | |
| 2 S156 | 2 | Pad Retainer | |
| 3 KB007 | 2 | Indicator Cable | |
| 4 K19 | 2 | Rubber Tap | |
| 5 C57 | 2 | Screw | |



| ANDAC No | | 0810 30281 | |
|-----------------|------|--|--|
| OE Reference No | | WVA 29141 - 29142 - 29119 - 68323004 - 969900275 | |
| Application | | PAN 19-2 PAN 22-2 | |
| Description | | Pad Retainer Kit | |
| Name | Qty. | | |
| 1 S210 | 4 | Retention Spring | |
| 2 S156 | 2 | Pad Retainer | |
| 3 K19 | 2 | Rubber Tap | |
| 4 C57 | 2 | Screw | |





**WABCO
MAXX 17**

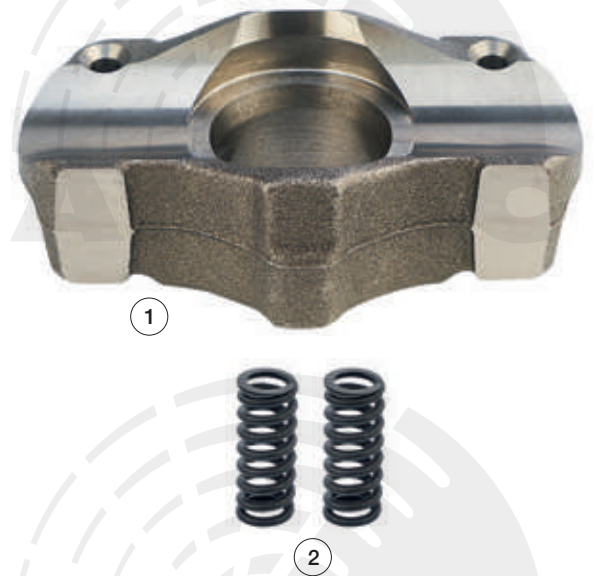


WABCO
MAXX 17

| | | | |
|------------------------|-------------|--------------------------------------|---------------------|
| ANDAC No | | 0810 30310 | |
| OE Reference No | | | |
| Application | | MAXX 17 | |
| Description | | Caliper Adjusting Mechanism Complete | |
| | Name | Qty. | |
| 1 | T746 | 1 | Adjusting Mechanism |
| 2 | Y64 | 2 | Spring |
| | | | |
| | | | |
| | | | |
| | | | |
| | | | |
| | | | |



| | | | |
|------------------------|-------------|-------------------|--------|
| ANDAC No | | 0810 30311 | |
| OE Reference No | | | |
| Application | | MAXX 17 | |
| Description | | Caliper Bridge | |
| | Name | Qty. | |
| 1 | T742 | 1 | Bridge |
| 2 | Y64 | 2 | Spring |
| | | | |
| | | | |
| | | | |
| | | | |
| | | | |
| | | | |



| | | | |
|------------------------|-------------|-------------------------|---------------------|
| ANDAC No | | 0810 30313 | |
| OE Reference No | | | |
| Application | | MAXX 17 | |
| Description | | Adjusting Mechanism Kit | |
| | Name | Qty. | |
| 1 | T743 | 1 | Adjusting Mechanism |
| 2 | T744 | 1 | Adjuster Pin |
| 3 | T362 | 1 | Adjusting Gear |
| 4 | Y63 | 1 | Spring |
| 5 | T361 | 1 | Clutch |
| 6 | T745 | 1 | Retainer |
| | | | |
| | | | |
| | | | |
| | | | |
| | | | |



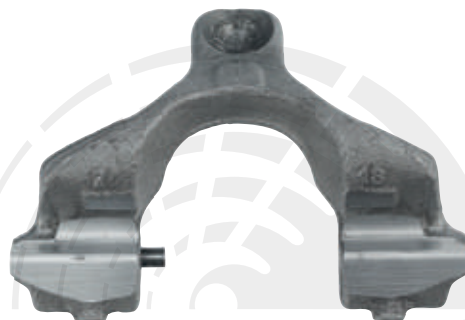
| | | | |
|------------------------|-------------|-------------------------|---------------------|
| ANDAC No | | 0810 30312 | |
| OE Reference No | | | |
| Application | | MAXX 17 | |
| Description | | Adjusting Mechanism Kit | |
| | Name | Qty. | |
| 1 | T743 | 1 | Adjusting Mechanism |
| 2 | T744 | 1 | Adjuster Pin |
| 3 | T362 | 1 | Adjusting Gear |
| 4 | Y63 | 1 | Spring |
| 5 | T361 | 1 | Clutch |
| 6 | T745 | 1 | Retainer |
| 7 | S145 | 1 | Washer |
| 8 | S146 | 1 | Washer |
| 9 | S147 | 3 | Washer |
| 10 | SK16 | 1 | Snap Ring |
| 11 | SK17 | 1 | Snap Ring |



| | | | |
|------------------------|-------------|--------------------------|--------------|
| ANDAC No | | 0810 30314 | |
| OE Reference No | | | |
| Application | | MAXX 17 | |
| Description | | Caliper Calibration Bolt | |
| | Name | Qty. | |
| 1 | T744 | 1 | Adjuster Pin |



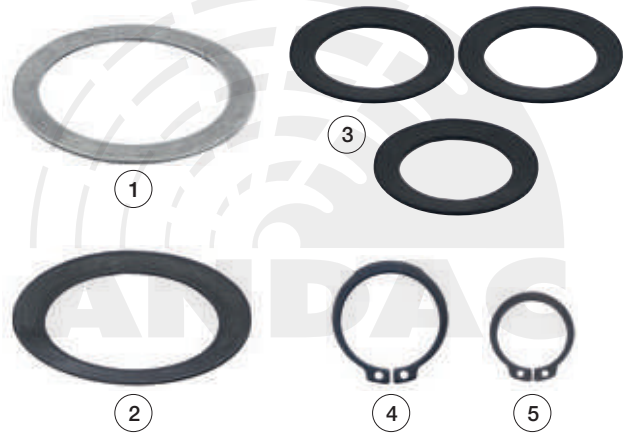
| | | | |
|------------------------|-------------|-------------------|-------|
| ANDAC No | | 0810 30315 | |
| OE Reference No | | | |
| Application | | MAXX 17 | |
| Description | | Caliper Lever | |
| | Name | Qty. | |
| 1 | T747 | 1 | Lever |



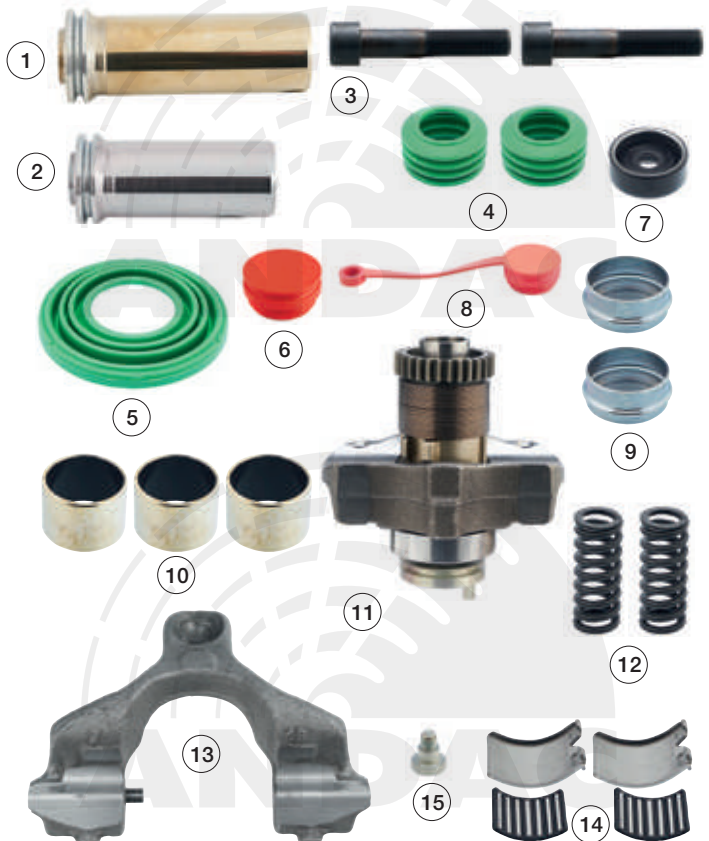
| | | |
|------------------------|------------------------|-------------|
| ANDAC No | 0810 30113 | |
| OE Reference No | | |
| Application | MAXX 17 | |
| Description | Caliper Roller Bearing | |
| | Name | Qty. |
| 1 | R13 | 2 |
| | Roller Bearing | |



| | | |
|------------------------|-------------------------|-------------|
| ANDAC No | 0810 30206 | |
| OE Reference No | | |
| Application | MAXX 17 | |
| Description | Adjusting Mechanism Kit | |
| | Name | Qty. |
| 1 | S145 | 1 |
| | Washer | |
| 2 | S146 | 1 |
| | Washer | |
| 3 | S147 | 3 |
| | Washer | |
| 4 | SK16 | 1 |
| | Snap Ring | |
| 5 | SK17 | 1 |
| | Snap Ring | |



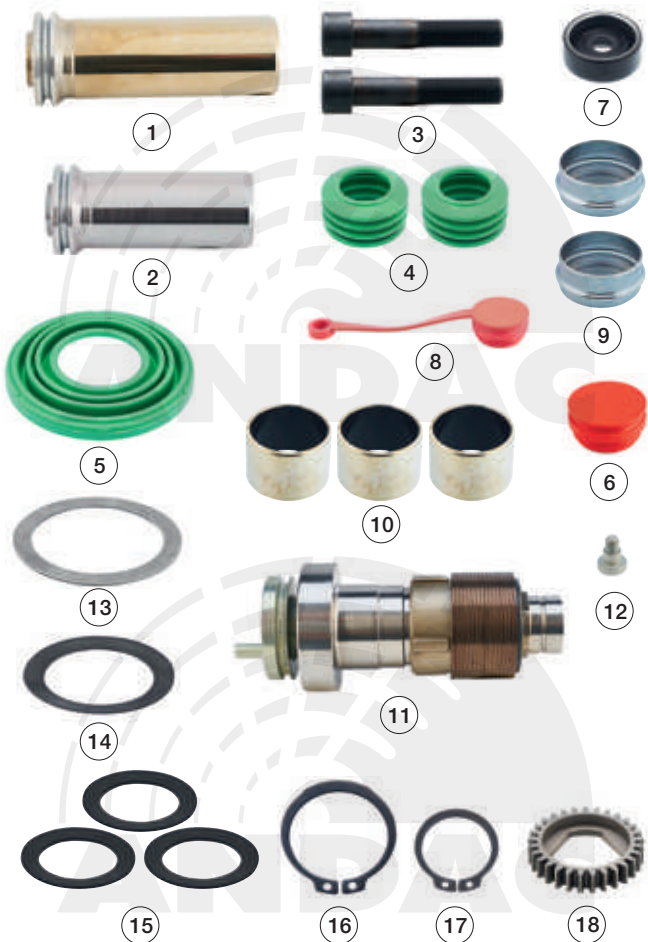
| | | |
|------------------------|-----------------------------|-------------|
| ANDAC No | 0810 30316 | |
| OE Reference No | | |
| Application | MAXX 17 | |
| Description | Caliper Repair Kit Complete | |
| | Name | Qty. |
| 1 | T748 | 1 |
| | Guide Pin Ø30x91mm | |
| 2 | T749 | 1 |
| | Guide Pin Ø30x77mm | |
| 3 | C128 | 2 |
| | Screw M16x1,5x80mm - 12.9 | |
| 4 | K16 | 2 |
| | Boot | |
| 5 | K18 | 1 |
| | Boot | |
| 6 | K180 | 1 |
| | Rubber Tap | |
| 7 | K139 | 1 |
| | Seal | |
| 8 | K181 | 1 |
| | Rubber Tap | |
| 9 | S9 | 2 |
| | Metal Tap | |
| 10 | B5 | 3 |
| | Bush | |
| 11 | T746 | 1 |
| | Complete Mechanism | |
| 12 | Y64 | 2 |
| | Spring | |
| 13 | T747 | 1 |
| | Lever | |
| 14 | R13 | 2 |
| | Roller Bearing | |
| 15 | C118 | 1 |
| | Screw | |



| ANDAC No | | 0810 30317 | |
|-----------------|------|-----------------------------|--|
| OE Reference No | | | |
| Application | | MAXX 17 | |
| Description | | Caliper Repair Kit Complete | |
| Name | Qty. | | |
| 1 T748 | 1 | Guide Pin Ø30x91mm | |
| 2 T749 | 1 | Guide Pin Ø30x77mm | |
| 3 C128 | 2 | Screw M16x1,5x80mm - 12.9 | |
| 4 K16 | 2 | Boot | |
| 5 K18 | 1 | Boot | |
| 6 K180 | 1 | Rubber Tap | |
| 7 K139 | 1 | Seal | |
| 8 K181 | 1 | Rubber Tap | |
| 9 S9 | 2 | Metal Tap | |
| 10 B5 | 3 | Bush | |
| 11 T746 | 1 | Complete Mechanism | |
| 12 Y64 | 2 | Spring | |
| 13 C118 | 1 | Screw | |



| ANDAC No | | 0810 30318 | |
|-----------------|------|-----------------------------|--|
| OE Reference No | | | |
| Application | | MAXX 17 | |
| Description | | Caliper Repair Kit Complete | |
| Name | Qty. | | |
| 1 T748 | 1 | Guide Pin Ø30x91mm | |
| 2 T749 | 1 | Guide Pin Ø30x77mm | |
| 3 C128 | 2 | Screw M16x1,5x80mm - 12.9 | |
| 4 K16 | 2 | Boot | |
| 5 K18 | 1 | Boot | |
| 6 K180 | 1 | Rubber Tap | |
| 7 K139 | 1 | Seal | |
| 8 K181 | 1 | Rubber Tap | |
| 9 S9 | 2 | Metal Tap | |
| 10 B5 | 3 | Bush | |
| 11 T750 | 1 | Complete Mechanism | |
| 12 C118 | 1 | Screw | |
| 13 S145 | 1 | Washer | |
| 14 S146 | 1 | Washer | |
| 15 S147 | 3 | Washer | |
| 16 SK16 | 1 | Snap Ring | |
| 17 SK17 | 1 | Snap Ring | |
| 18 T362 | 1 | Adjusting Gear | |



| | | |
|------------------------|-----------------------------|-----------------------------|
| ANDAC No | 0810 30319 | |
| OE Reference No | | |
| Application | MAXX 17 | |
| Description | Caliper Repair Kit Complete | |
| | Name | Qty. |
| 1 | T748 | 1 Guide Pin Ø30x91mm |
| 2 | T749 | 1 Guide Pin Ø30x77mm |
| 3 | C128 | 2 Screw M16x1,5x80mm - 12.9 |
| 4 | K16 | 2 Boot |
| 5 | K18 | 1 Boot |
| 6 | K180 | 1 Rubber Tap |
| 7 | K139 | 1 Seal |
| 8 | K181 | 1 Rubber Tap |
| 9 | S9 | 2 Metal Tap |
| 10 | B5 | 3 Bush |
| 11 | T750 | 1 Complete Mechanism |
| 12 | C118 | 1 Screw |
| 13 | T362 | 1 Adjusting Gear |



| | | |
|------------------------|----------------------------|-----------------------------|
| ANDAC No | 0810 30346 | |
| OE Reference No | 6403179282 - 640 317 928 2 | |
| Application | MAXX 17 | |
| Description | Caliper Repair Kit | |
| | Name | Qty. |
| 1 | T748 | 1 Guide Pin Ø30x91mm |
| 2 | T749 | 1 Guide Pin Ø30x77mm |
| 3 | C128 | 2 Screw M16x1,5x80mm - 12.9 |
| 4 | K16 | 2 Boot |
| 5 | K18 | 1 Boot |
| 6 | K180 | 1 Rubber Tap |
| 7 | S9 | 2 Metal Tap |
| 8 | B5 | 3 Bush |



| | | |
|------------------------|--------------------|-------------|
| ANDAC No | 0810 30146 | |
| OE Reference No | | |
| Application | MAXX 17 | |
| Description | Caliper Repair Kit | |
| | Name | Qty. |
| 1 | K18 | 1 Boot |
| 2 | K16 | 2 Boot |
| 3 | B5 | 3 Bush |
| 4 | S9 | 2 Metal Tap |



| | | | |
|------------------------|-------------|--------------------|------|
| ANDAC No | | 0810 30147 | |
| OE Reference No | | 6401759202 | |
| Application | | MAXX 17 | |
| Description | | Caliper Repair Kit | |
| | Name | Qty. | |
| 1 | K18 | 1 | Boot |
| 2 | K16 | 2 | Boot |
| | | | |
| | | | |
| | | | |
| | | | |



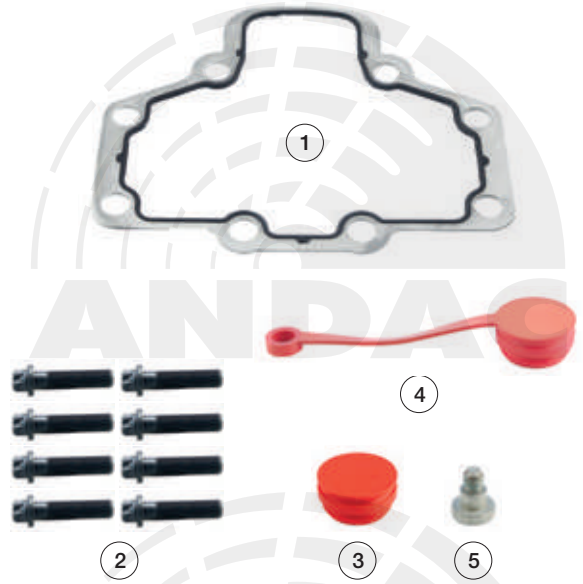
| | | | |
|------------------------|-------------|--------------------|---------------------------|
| ANDAC No | | 0810 30320 | |
| OE Reference No | | 6403179222 | |
| Application | | MAXX 17 | |
| Description | | Caliper Repair Kit | |
| | Name | Qty. | |
| 1 | K18 | 1 | Boot |
| 2 | K16 | 2 | Boot |
| 3 | S9 | 2 | Metal Tap |
| 4 | B5 | 3 | Bush |
| 5 | C128 | 2 | Screw M16x1,5x80mm - 12.9 |
| | | | |
| | | | |
| | | | |



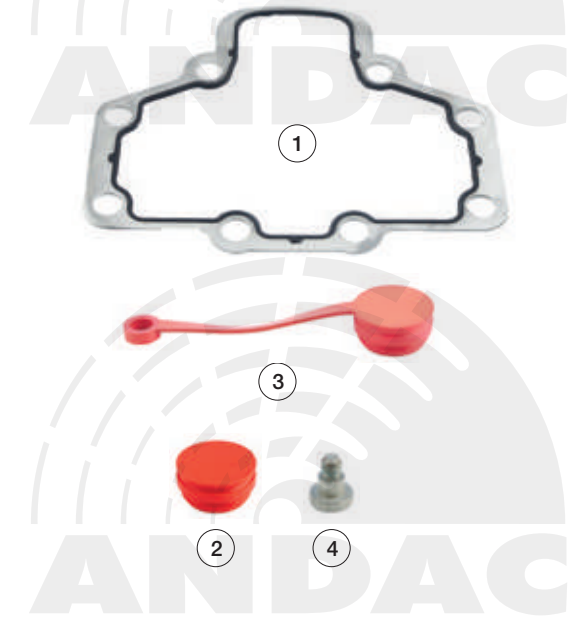
| | | | |
|------------------------|-------------|--------------------|------------|
| ANDAC No | | 0810 30321 | |
| OE Reference No | | | |
| Application | | MAXX 17 | |
| Description | | Caliper Repair Kit | |
| | Name | Qty. | |
| 1 | K18 | 1 | Boot |
| 2 | K181 | 1 | Rubber Tap |
| 3 | C118 | 1 | Screw |
| | | | |
| | | | |
| | | | |



| | | |
|------------------------|--------------------|-------------|
| ANDAC No | 0810 30322 | |
| OE Reference No | | |
| Application | MAXX 17 | |
| Description | Caliper Repair Kit | |
| | Name | Qty. |
| 1 | K21 | 1 |
| 2 | C15 | 8 |
| 3 | K180 | 1 |
| 4 | K181 | 1 |
| 5 | C118 | 1 |



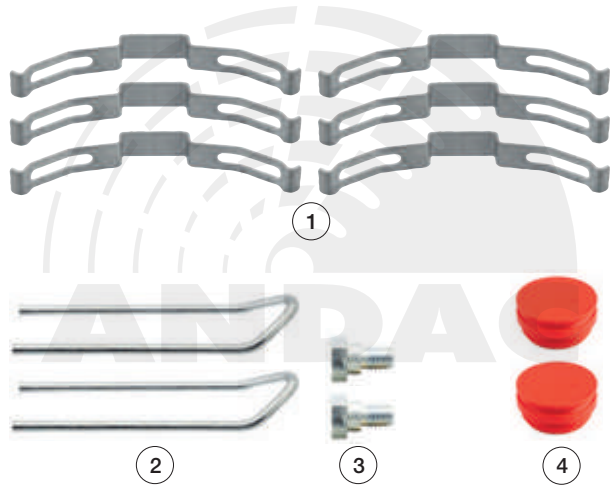
| | | |
|------------------------|----------------------------|-------------|
| ANDAC No | 0810 30323 | |
| OE Reference No | 6403179282 - 640 317 928 2 | |
| Application | MAXX 17 | |
| Description | Caliper Repair Kit | |
| | Name | Qty. |
| 1 | K21 | 1 |
| 2 | K180 | 1 |
| 3 | K181 | 1 |
| 4 | C118 | 1 |



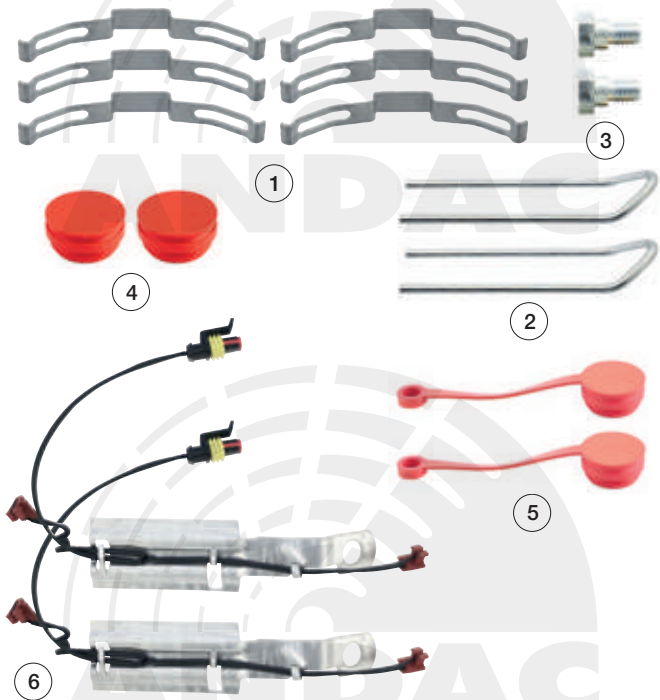
| | | |
|------------------------|--------------------|-------------|
| ANDAC No | 0810 30324 | |
| OE Reference No | 6403179262 | |
| Application | MAXX 17 | |
| Description | Caliper Repair Kit | |
| | Name | Qty. |
| 1 | T366 | 1 |
| 2 | T367 | 1 |
| 3 | K181 | 1 |
| 4 | K139 | 1 |
| 5 | C118 | 1 |



| ANDAC No | | 0810 30325 | |
|-----------------|------|--------------------|--|
| OE Reference No | | | |
| Application | | MAXX 17 | |
| Description | | Caliper Repair Kit | |
| Name | Qty. | | |
| 1 S159 | 6 | Retention Spring | |
| 2 S158 | 2 | Pad Retainer | |
| 3 C73 | 2 | Screw M10x1,50mm | |
| 4 K180 | 2 | Rubber Tap | |



| ANDAC No | | 0810 30329 | |
|-----------------|------|--------------------------|--|
| OE Reference No | | 6403179322 | |
| Application | | MAXX 17 | |
| Description | | Caliper Pad Retainer Kit | |
| Name | Qty. | | |
| 1 S159 | 6 | Retention Spring | |
| 2 S158 | 2 | Pad Retainer | |
| 3 C73 | 2 | Screw M10x1,50mm | |
| 4 K180 | 2 | Rubber Tap | |
| 5 K181 | 2 | Rubber Tap | |
| 6 KB014 | 2 | Indicator Cable | |



| ANDAC No | | 0810 30326 | |
|-----------------|------|------------------------------|--|
| OE Reference No | | 6401759402 - 640 175 940 2 | |
| Application | | MAXX 17 | |
| Description | | Caliper Push Plate (Right) | |
| Name | Qty. | | |
| 1 T751 | 1 | Push Plate | |



| | | | |
|------------------------|-------------|-----------------------------|------------|
| ANDAC No | | 0810 30327 | |
| OE Reference No | | 6401759402 - 640 175 940 2 | |
| Application | | MAXX 17 | |
| Description | | Caliper Push Plate (Left) | |
| | Name | Qty. | |
| 1 | T752 | 1 | Push Plate |
| | | | |
| | | | |
| | | | |
| | | | |
| | | | |



| | | | |
|------------------------|-------------|-------------------|-------|
| ANDAC No | | 0810 30328 | |
| OE Reference No | | | |
| Application | | MAXX 17 | |
| Description | | Caliper Cover | |
| | Name | Qty. | |
| 1 | T753 | 1 | Cover |
| | | | |
| | | | |
| | | | |
| | | | |
| | | | |



**WABCO
MAXX 19**



WABCO
MAXX 19

| | | | |
|------------------------|-------------|--------------------------------------|---------------------|
| ANDAC No | | 0810 30330 | |
| OE Reference No | | | |
| Application | | MAXX 19 | |
| Description | | Caliper Adjusting Mechanism Complete | |
| | Name | Qty. | |
| 1 | T757 | 1 | Adjusting Mechanism |
| 2 | Y64 | 2 | Spring |
| | | | |
| | | | |
| | | | |
| | | | |
| | | | |



| | | | |
|------------------------|-------------|-------------------|--------|
| ANDAC No | | 0810 30245 | |
| OE Reference No | | | |
| Application | | MAXX 19 | |
| Description | | Caliper Bridge | |
| | Name | Qty. | |
| 1 | T577 | 1 | Bridge |
| 2 | Y64 | 2 | Spring |
| | | | |
| | | | |
| | | | |
| | | | |



| | | | |
|------------------------|-------------|-----------------------------|----------------|
| ANDAC No | | 0810 30232 | |
| OE Reference No | | | |
| Application | | MAXX 19 | |
| Description | | Caliper Adjusting Mechanism | |
| | Name | Qty. | |
| 1 | T359 | 1 | Screw |
| 2 | T358 | 1 | Adjuster Pin |
| 3 | T362 | 1 | Adjusting Gear |
| 4 | Y63 | 1 | Spring |
| 5 | T361 | 1 | Clutch |
| 6 | T360 | 1 | Retainer |
| | | | |
| | | | |
| | | | |



WABCO MAXX 19

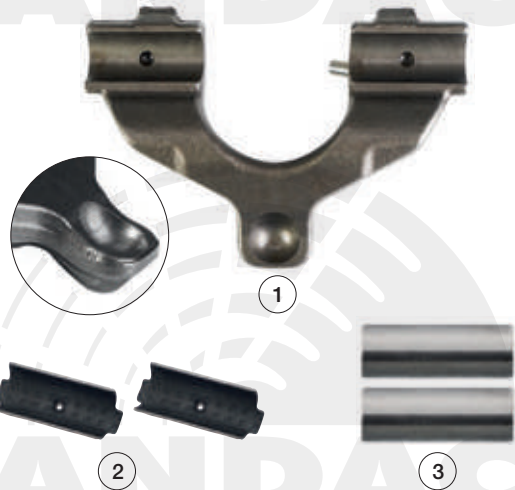
| ANDAC No | | 0810 30198 | |
|-----------------|------|-----------------------------|--|
| OE Reference No | | | |
| Application | | MAXX 19 | |
| Description | | Caliper Adjusting Mechanism | |
| Name | Qty. | | |
| 1 T359 | 1 | Screw | |
| 2 T358 | 1 | Adjuster Pin | |
| 3 T362 | 1 | Adjusting Gear | |
| 4 Y63 | 1 | Spring | |
| 5 T361 | 1 | Clutch | |
| 6 T360 | 1 | Retainer | |
| 7 S145 | 1 | Washer | |
| 8 S146 | 1 | Washer | |
| 9 S147 | 3 | Washer | |
| 10 SK16 | 1 | Snap Ring | |
| 11 SK17 | 1 | Snap Ring | |



| ANDAC No | | 0810 30233 | |
|-----------------|------|--------------------------|--|
| OE Reference No | | | |
| Application | | MAXX 19 | |
| Description | | Caliper Calibration Bolt | |
| Name | Qty. | | |
| 1 T359 | 1 | Screw | |
| | | | |
| | | | |
| | | | |



| ANDAC No | | 0810 30248 | |
|-----------------|------|-------------------|--|
| OE Reference No | | | |
| Application | | MAXX 19 | |
| Description | | Caliper Lever | |
| Name | Qty. | | |
| 1 T582 | 1 | Cover Gasket | |
| 2 S141 | 2 | Cover Screw | |
| 3 T365 | 2 | Rubber Tap | |
| | | | |
| | | | |
| | | | |



| | | | |
|------------------------|-------------|------------------------|----------------|
| ANDAC No | | 0810 30201 | |
| OE Reference No | | | |
| Application | | MAXX 19 | |
| Description | | Caliper Roller Bearing | |
| | Name | Qty. | |
| 1 | R40 | 2 | Roller Bearing |
| | | | |
| | | | |
| | | | |
| | | | |
| | | | |



| | | | |
|------------------------|-------------|----------------------------|----------------|
| ANDAC No | | 0810 30200 | |
| OE Reference No | | | |
| Application | | MAXX 19 | |
| Description | | Caliper Roller Bearing Kit | |
| | Name | Qty. | |
| 1 | R40 | 2 | Roller Bearing |
| 2 | T365 | 2 | Pin |
| 3 | S141 | 2 | Lever Bearing |
| | | | |
| | | | |
| | | | |
| | | | |



| | | | |
|------------------------|-------------|--------------------|-----------|
| ANDAC No | | 0810 30206 | |
| OE Reference No | | | |
| Application | | MAXX 19 | |
| Description | | Caliper Repair Kit | |
| | Name | Qty. | |
| 1 | S145 | 1 | Washer |
| 2 | S146 | 1 | Washer |
| 3 | S147 | 3 | Washer |
| 4 | SK16 | 1 | Snap Ring |
| 5 | SK17 | 1 | Snap Ring |
| | | | |
| | | | |
| | | | |



| ANDAC No | | 0810 30331 | |
|-----------------|------|---------------------------|--|
| OE Reference No | | | |
| Application | | MAXX 19 | |
| Description | | Caliper Repair Kit | |
| Name | Qty. | | |
| 1 T754 | 1 | Guide Pin Ø38x104mm | |
| 2 C128 | 2 | Screw M16x1,5x80mm - 12.9 | |
| 3 T576 | 1 | Guide Pin Ø38x76mm | |
| 4 K61 | 2 | Boot | |
| 5 K18 | 1 | Boot | |
| 6 S5 | 2 | Metal Tap | |
| 7 B48 | 3 | Bush | |
| 8 K181 | 1 | Rubber Tap | |
| 9 C118 | 1 | Screw | |
| 10 K180 | 1 | Rubber Tap | |
| 11 T757 | 1 | Adjusting Mechanism | |
| 12 K139 | 1 | Seal | |
| 13 Y64 | 2 | Spring | |
| 14 T582 | 1 | Lever | |
| 15 S141 | 2 | Lever Bearing | |
| 16 T365 | 2 | Pin | |
| 17 R40 | 2 | Roller Bearing | |



| ANDAC No | | 0810 30332 | |
|-----------------|------|---------------------------|--|
| OE Reference No | | | |
| Application | | MAXX 19 | |
| Description | | Caliper Repair Kit | |
| Name | Qty. | | |
| 1 T754 | 1 | Guide Pin Ø38x104mm | |
| 2 C128 | 2 | Screw M16x1,5x80mm - 12.9 | |
| 3 T576 | 1 | Guide Pin Ø38x76mm | |
| 4 K61 | 2 | Boot | |
| 5 K18 | 1 | Boot | |
| 6 S5 | 2 | Metal Tap | |
| 7 B48 | 3 | Bush | |
| 8 K181 | 1 | Rubber Tap | |
| 9 C118 | 1 | Screw | |
| 10 K180 | 1 | Rubber Tap | |
| 11 T757 | 1 | Adjusting Mechanism | |
| 12 K139 | 1 | Seal | |
| 13 Y64 | 2 | Spring | |



| ANDAC No | | 0810 30333 | |
|-----------------|------|---------------------------|--|
| OE Reference No | | | |
| Application | | MAXX 19 | |
| Description | | Caliper Repair Kit | |
| Name | Qty. | | |
| 1 T754 | 1 | Guide Pin Ø38x104mm | |
| 2 C128 | 2 | Screw M16x1,5x80mm - 12.9 | |
| 3 T576 | 1 | Guide Pin Ø38x76mm | |
| 4 K61 | 2 | Boot | |
| 5 K18 | 1 | Boot | |
| 6 S5 | 2 | Metal Tap | |
| 7 B48 | 3 | Bush | |
| 8 K181 | 1 | Rubber Tap | |
| 9 C118 | 1 | Screw | |
| 10 K180 | 1 | Rubber Tap | |
| 11 K139 | 1 | Seal | |
| 12 T499 | 1 | Adjusting Mechanism | |
| 13 S145 | 1 | Washer | |
| 14 S146 | 1 | Washer | |
| 15 S147 | 3 | Washer | |
| 16 SK16 | 1 | Snap Ring | |
| 17 SK17 | 1 | Snap Ring | |
| 18 T362 | 1 | Adjusting Gear | |



| ANDAC No | | 0810 30334 | |
|-----------------|------|---------------------------|--|
| OE Reference No | | | |
| Application | | MAXX 19 | |
| Description | | Caliper Repair Kit | |
| Name | Qty. | | |
| 1 T754 | 1 | Guide Pin Ø38x104mm | |
| 2 C128 | 2 | Screw M16x1,5x80mm - 12.9 | |
| 3 T576 | 1 | Guide Pin Ø38x76mm | |
| 4 K61 | 2 | Boot | |
| 5 K18 | 1 | Boot | |
| 6 S5 | 2 | Metal Tap | |
| 7 B48 | 3 | Bush | |
| 8 K181 | 1 | Rubber Tap | |
| 9 C118 | 1 | Screw | |
| 10 K180 | 1 | Rubber Tap | |
| 11 K139 | 1 | Seal | |
| 12 T499 | 1 | Adjusting Mechanism | |
| 13 T362 | 1 | Adjusting Gear | |



| ANDAC No | | 0810 30335 |
|-----------------|------|---------------------------|
| OE Reference No | | |
| Application | | MAXX 19 |
| Description | | Caliper Repair Kit |
| Name | Qty. | |
| 1 T754 | 1 | Guide Pin Ø38x104mm |
| 2 C128 | 2 | Screw M16x1,5x80mm - 12.9 |
| 3 T576 | 1 | Guide Pin Ø38x76mm |
| 4 K61 | 2 | Boot |
| 5 K18 | 1 | Boot |
| 6 S5 | 2 | Metal Tap |
| 7 B48 | 3 | Bush |
| 8 K181 | 1 | Rubber Tap |
| 9 C118 | 1 | Screw |



| ANDAC No | | 0810 30336 |
|-----------------|------|---------------------------|
| OE Reference No | | |
| Application | | MAXX 19 |
| Description | | Caliper Repair Kit |
| Name | Qty. | |
| 1 T754 | 1 | Guide Pin Ø38x104mm |
| 2 C128 | 2 | Screw M16x1,5x80mm - 12.9 |
| 3 T576 | 1 | Guide Pin Ø38x76mm |
| 4 K61 | 2 | Boot |
| 5 K18 | 1 | Boot |
| 6 S5 | 2 | Metal Tap |
| 7 B48 | 3 | Bush |
| 8 K181 | 1 | Rubber Tap |
| 9 C118 | 1 | Screw |
| 10 K180 | 1 | Rubber Tap |



| ANDAC No | | 0810 30324 |
|-----------------|------|--------------------|
| OE Reference No | | 6403179262 |
| Application | | MAXX 19 |
| Description | | Caliper Repair Kit |
| Name | Qty. | |
| 1 T366 | 1 | Adjusting Gear |
| 2 T367 | 1 | Adjusting Pin |
| 3 K181 | 1 | Rubber Tap |
| 4 K139 | 1 | Seal |
| 5 C118 | 1 | Screw |



| | | | |
|------------------------|--------------------|-------------|----------------|
| ANDAC No | 0810 30364 | | |
| OE Reference No | 6403179262 | | |
| Application | MAXX 19 | | |
| Description | Caliper Repair Kit | | |
| | Name | Qty. | |
| 1 | T366 | 1 | Adjusting Gear |
| 2 | T367 | 1 | Adjusting Pin |
| 3 | K139 | 1 | Seal |
| 4 | K180 | 1 | Rubber Tap |



| | | | |
|------------------------|-------------------|-------------|------------|
| ANDAC No | 0810 30238 | | |
| OE Reference No | 6403222692 | | |
| Application | MAXX 19 | | |
| Description | Caliper Seal Kit | | |
| | Name | Qty. | |
| 1 | K60 | 5 | Cover Seal |



| | | | |
|------------------------|--------------------|-------------|------------|
| ANDAC No | 0810 30337 | | |
| OE Reference No | | | |
| Application | MAXX 19 | | |
| Description | Caliper Repair Kit | | |
| | Name | Qty. | |
| 1 | K181 | 1 | Rubber Tap |
| 2 | C118 | 1 | Screw |
| 3 | K18 | 1 | Boot |



| | | | |
|------------------------|-------------------|-------------|---------------|
| ANDAC No | 0810 30253 | | |
| OE Reference No | 6403196504 | | |
| Application | MAXX 19 | | |
| Description | Caliper Cover Kit | | |
| | Name | Qty. | |
| 1 | S127 | 1 | Cover |
| 2 | C7 | 6 | Screw M8x16mm |



| | | | |
|------------------------|------|-------------------------|------|
| ANDAC No | | 0810 30267 | |
| OE Reference No | | 6403229322 - 8975700194 | |
| Application | | MAXX 19 | |
| Description | | Caliper Repair Kit | |
| | Name | Qty. | |
| 1 | K61 | 2 | Boot |
| 2 | K18 | 1 | Boot |



| | | | |
|------------------------|------|--------------------|------------|
| ANDAC No | | 0810 30339 | |
| OE Reference No | | | |
| Application | | MAXX 19 | |
| Description | | Caliper Repair Kit | |
| | Name | Qty. | |
| 1 | K61 | 2 | Boot |
| 2 | K18 | 1 | Boot |
| 3 | S5 | 2 | Metal Tap |
| 4 | B48 | 3 | Bush |
| 5 | K181 | 1 | Rubber Tap |
| 6 | C118 | 1 | Screw |



| | | | |
|------------------------|------|--------------------|---------------------------|
| ANDAC No | | 0810 30338 | |
| OE Reference No | | 6403199222 | |
| Application | | MAXX 19 | |
| Description | | Caliper Repair Kit | |
| | Name | Qty. | |
| 1 | C128 | 2 | Screw M16x1,5x80mm - 12.9 |
| 2 | K61 | 2 | Boot |
| 3 | K18 | 1 | Boot |
| 4 | S5 | 2 | Metal Tap |
| 5 | B48 | 3 | Bush |



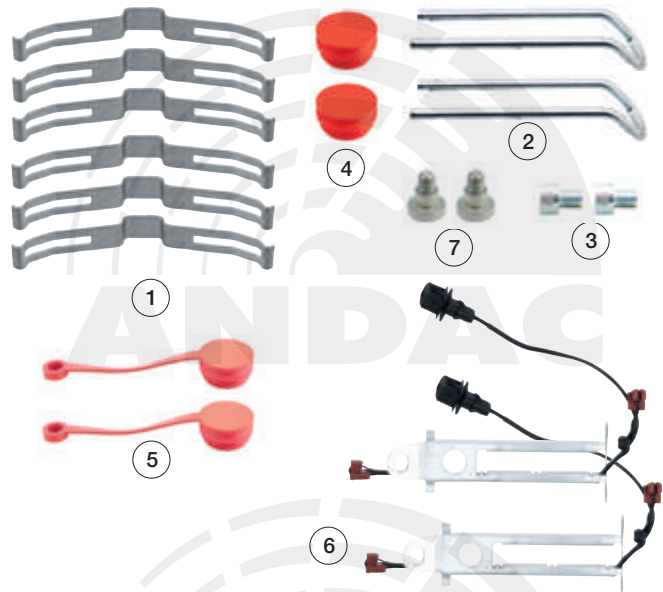
| | | | |
|------------------------|-------------|------------------------------|------------|
| ANDAC No | | 0810 30340 | |
| OE Reference No | | 6403193116 - 640319928 | |
| Application | | MAXX 19 | |
| Description | | Caliper Push Plate (Right) | |
| | Name | Qty. | |
| 1 | T755 | 1 | Push Plate |
| | | | |
| | | | |



| | | | |
|------------------------|-------------|-----------------------------|------------|
| ANDAC No | | 0810 30341 | |
| OE Reference No | | 6403193116 - 640319928 | |
| Application | | MAXX 19 | |
| Description | | Caliper Push Plate (Left) | |
| | Name | Qty. | |
| 1 | T756 | 1 | Push Plate |
| | | | |
| | | | |



| | | | |
|------------------------|-------------|--------------------------|------------------|
| ANDAC No | | 0810 30343 | |
| OE Reference No | | 6403199302 | |
| Application | | MAXX 19 | |
| Description | | Caliper Pad Retainer Kit | |
| | Name | Qty. | |
| 1 | S143 | 6 | Retention Spring |
| 2 | S144 | 2 | Pad Retainer |
| 3 | C72 | 2 | Screw M10x1,50mm |
| 4 | K180 | 2 | Rubber Tap |
| 5 | K181 | 2 | Rubber Tap |
| 6 | KB013 | 2 | Indicator Cable |
| 7 | C118 | 2 | Screw |
| | | | |
| | | | |





**WABCO
MAXX 22 MAN**



WABCO
MAXX 22 MAN

| | | | |
|------------------------|-------------|--------------------------------------|---------------------|
| ANDAC No | | 0810 30197 | |
| OE Reference No | | | |
| Application | | MAXX 22 MAN | |
| Description | | Caliper Adjusting Mechanism Complete | |
| | Name | Qty. | |
| 1 | T363 | 1 | Adjusting Mechanism |
| 2 | Y64 | 2 | Spring |
| | | | |
| | | | |
| | | | |
| | | | |
| | | | |



| | | | |
|------------------------|-------------|-------------------|--------|
| ANDAC No | | 0810 30231 | |
| OE Reference No | | | |
| Application | | MAXX 22 MAN | |
| Description | | Caliper Bridge | |
| | Name | Qty. | |
| 1 | T424 | 1 | Bridge |
| 2 | Y64 | 2 | Spring |
| | | | |
| | | | |
| | | | |
| | | | |



| | | | |
|------------------------|-------------|---------------------------------|----------------|
| ANDAC No | | 0810 30232 | |
| OE Reference No | | | |
| Application | | MAXX 22 MAN | |
| Description | | Caliper Adjusting Mechanism Kit | |
| | Name | Qty. | |
| 1 | T359 | 1 | Screw |
| 2 | T358 | 1 | Adjuster Pin |
| 3 | T362 | 1 | Adjusting Gear |
| 4 | Y63 | 1 | Spring |
| 5 | T361 | 1 | Clutch |
| 6 | T360 | 1 | Retainer |
| | | | |
| | | | |
| | | | |



WABCO MAXX 22 MAN

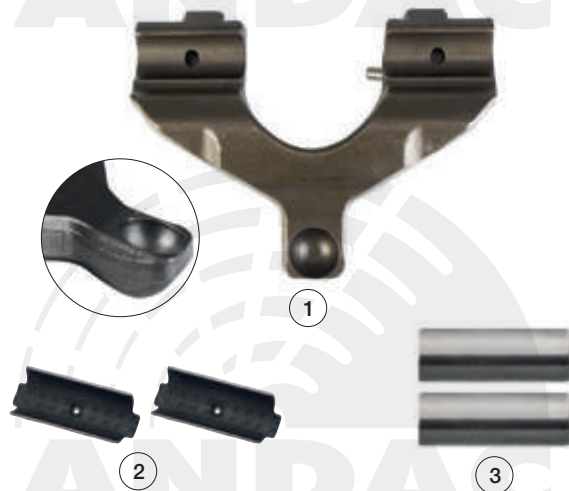
| ANDAC No | | 0810 30198 | |
|-----------------|------|---------------------------------|--|
| OE Reference No | | | |
| Application | | MAXX 22 MAN | |
| Description | | Caliper Adjusting Mechanism Kit | |
| Name | Qty. | | |
| 1 T359 | 1 | Screw | |
| 2 T358 | 1 | Adjuster Pin | |
| 3 T362 | 1 | Adjusting Gear | |
| 4 Y63 | 1 | Spring | |
| 5 T361 | 1 | Clutch | |
| 6 T360 | 1 | Retainer | |
| 7 S145 | 1 | Washer | |
| 8 S146 | 1 | Washer | |
| 9 S147 | 3 | Washer | |
| 10 SK16 | 1 | Snap Ring | |
| 11 SK17 | 1 | Snap Ring | |



| ANDAC No | | 0810 30233 | |
|-----------------|------|--------------------------|--|
| OE Reference No | | | |
| Application | | MAXX 22 MAN | |
| Description | | Caliper Calibration Bolt | |
| Name | Qty. | | |
| 1 T359 | 1 | Screw | |
| | | | |
| | | | |
| | | | |



| ANDAC No | | 0810 30199 | |
|-----------------|------|---------------|--|
| OE Reference No | | | |
| Application | | MAXX 22 MAN | |
| Description | | Caliper Lever | |
| Name | Qty. | | |
| 1 T364 | 1 | Lever | |
| 2 S141 | 2 | Lever Bearing | |
| 3 T365 | 2 | Pin | |
| | | | |
| | | | |
| | | | |



| | | | |
|------------------------|-------------|------------------------|----------------|
| ANDAC No | | 0810 30201 | |
| OE Reference No | | | |
| Application | | MAXX 22 MAN | |
| Description | | Caliper Roller Bearing | |
| | Name | Qty. | |
| 1 | R40 | 2 | Roller Bearing |
| | | | |
| | | | |
| | | | |
| | | | |
| | | | |
| | | | |



| | | | |
|------------------------|-------------|----------------------------|----------------|
| ANDAC No | | 0810 30200 | |
| OE Reference No | | | |
| Application | | MAXX 22 MAN | |
| Description | | Caliper Roller Bearing Kit | |
| | Name | Qty. | |
| 1 | R40 | 2 | Roller Bearing |
| 2 | S141 | 2 | Lever Bearing |
| 3 | T365 | 2 | Pin |
| | | | |
| | | | |
| | | | |
| | | | |
| | | | |



| | | | |
|------------------------|-------------|--------------------|-----------|
| ANDAC No | | 0810 30206 | |
| OE Reference No | | | |
| Application | | MAXX 22 MAN | |
| Description | | Caliper Repair Kit | |
| | Name | Qty. | |
| 1 | S145 | 1 | Washer |
| 2 | S146 | 1 | Washer |
| 3 | S147 | 3 | Washer |
| 4 | SK16 | 1 | Snap Ring |
| 5 | SK17 | 1 | Snap Ring |
| | | | |
| | | | |
| | | | |
| | | | |
| | | | |



WABCO MAXX 22 MAN

| ANDAC No | | 0810 30234 |
|-----------------|------|------------------------------------|
| OE Reference No | | |
| Application | | MAXX 22 MAN |
| Description | | Caliper Repair Kit Complete |
| Name | Qty. | |
| 1 T389 | 1 | Guide Pin Ø38x118mm |
| 2 C128 | 2 | Screw M16x1,5x80mm - 12.9 |
| 3 T31 | 1 | Guide Pin Ø38x76mm |
| 4 S15 | 2 | Metal Ring |
| 5 K17 | 2 | Boot |
| 6 K18 | 1 | Boot |
| 7 K19 | 1 | Rubber Tap |
| 8 K139 | 1 | Seal |
| 9 S5 | 2 | Metal Tap |
| 10 B48 | 3 | Bush |
| 11 T363 | 1 | Adjusting Mechanism |
| 12 Y64 | 2 | Spring |
| 13 T365 | 2 | Pin |
| 14 S141 | 2 | Lever Bearing |
| 15 R40 | 2 | Roller Bearing |
| 16 T364 | 1 | Lever |



| ANDAC No | | 0810 30235 |
|-----------------|------|------------------------------------|
| OE Reference No | | |
| Application | | MAXX 22 MAN |
| Description | | Caliper Repair Kit Complete |
| Name | Qty. | |
| 1 T389 | 1 | Guide Pin Ø38x118mm |
| 2 C128 | 2 | Screw M16x1,5x80mm - 12.9 |
| 3 T31 | 1 | Guide Pin Ø38x76mm |
| 4 S15 | 2 | Metal Ring |
| 5 K17 | 2 | Boot |
| 6 K18 | 1 | Boot |
| 7 K19 | 1 | Rubber Tap |
| 8 K139 | 1 | Seal |
| 9 S5 | 2 | Metal Tap |
| 10 B48 | 3 | Bush |
| 11 T363 | 1 | Adjusting Mechanism |
| 12 Y64 | 2 | Spring |



WABCO
MAXX 22 MAN

| ANDAC No | | 0810 30236 | |
|-----------------|------|-----------------------------|--|
| OE Reference No | | | |
| Application | | MAXX 22 MAN | |
| Description | | Caliper Repair Kit Complete | |
| Name | Qty. | | |
| 1 T389 | 1 | Guide Pin Ø38x118mm | |
| 2 C128 | 2 | Screw M16x1,5x80mm - 12.9 | |
| 3 T31 | 1 | Guide Pin Ø38x76mm | |
| 4 S15 | 2 | Metal Ring | |
| 5 K17 | 2 | Boot | |
| 6 K18 | 1 | Boot | |
| 7 K19 | 1 | Rubber Tap | |
| 8 K139 | 1 | Seal | |
| 9 S5 | 2 | Metal Tap | |
| 10 B48 | 3 | Bush | |
| 11 T499 | 1 | Adjusting Mechanism | |
| 12 S145 | 1 | Washer | |
| 13 S146 | 1 | Washer | |
| 14 S147 | 3 | Washer | |
| 15 SK16 | 1 | Snap Ring | |
| 16 SK17 | 1 | Snap Ring | |
| 17 T362 | 1 | Adjusting Gear | |



| ANDAC No | | 0810 30237 | |
|-----------------|------|-----------------------------|--|
| OE Reference No | | | |
| Application | | MAXX 22 MAN | |
| Description | | Caliper Repair Kit Complete | |
| Name | Qty. | | |
| 1 T389 | 1 | Guide Pin Ø38x118mm | |
| 2 C128 | 2 | Screw M16x1,5x80mm - 12.9 | |
| 3 T31 | 1 | Guide Pin Ø38x76mm | |
| 4 S15 | 2 | Metal Ring | |
| 5 K17 | 2 | Boot | |
| 6 K18 | 1 | Boot | |
| 7 K19 | 1 | Rubber Tap | |
| 8 K139 | 1 | Seal | |
| 9 S5 | 2 | Metal Tap | |
| 10 B48 | 3 | Bush | |
| 11 T499 | 1 | Adjusting Mechanism | |
| 12 T362 | 1 | Adjusting Gear | |



WABCO MAXX 22 MAN

| | | | |
|------------------------|-------------|-------------------------------|---------------------------|
| ANDAC No | | 0810 30196 | |
| OE Reference No | | 81.50822-6038 - 640 322 926 2 | |
| Application | | MAXX 22 MAN | |
| Description | | Caliper Repair Kit | |
| | Name | Qty. | |
| 1 | T389 | 1 | Guide Pin Ø38x118mm |
| 2 | C128 | 2 | Screw M16x1,5x80mm - 12.9 |
| 3 | T31 | 1 | Guide Pin Ø38x76mm |
| 4 | S15 | 2 | Metal Ring |
| 5 | K17 | 2 | Boot |
| 6 | K18 | 1 | Boot |
| 7 | K19 | 1 | Rubber Tap |
| 8 | K139 | 1 | Seal |
| 9 | S5 | 2 | Metal Tap |
| 10 | B48 | 3 | Bush |



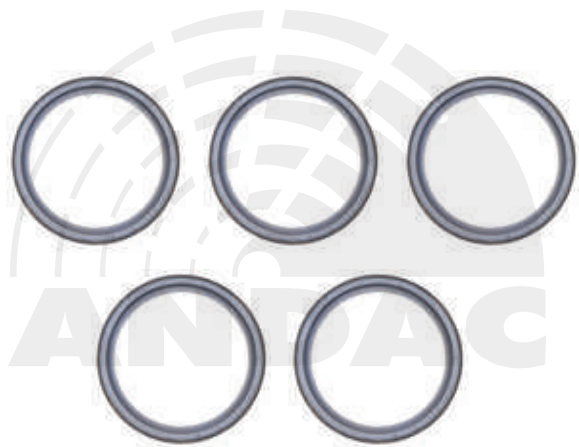
| | | | |
|------------------------|-------------|--------------------|----------------|
| ANDAC No | | 0810 30202 | |
| OE Reference No | | | |
| Application | | MAXX 22 MAN | |
| Description | | Caliper Repair Kit | |
| | Name | Qty. | |
| 1 | K19 | 1 | Rubber Tap |
| 2 | K139 | 1 | Seal |
| 3 | T366 | 1 | Adjusting Gear |
| 4 | T367 | 1 | Adjuster Pin |



| | | | |
|------------------------|-------------|-------------------|------------|
| ANDAC No | | 0810 30238 | |
| OE Reference No | | 6403222692 | |
| Application | | MAXX 22 MAN | |
| Description | | Caliper Seal Kit | |
| | Name | Qty. | |
| 1 | K60 | 5 | Cover Seal |



| | | | |
|------------------------|-------------|-------------------|------|
| ANDAC No | | 0810 30213 | |
| OE Reference No | | | |
| Application | | MAXX 22 MAN | |
| Description | | Caliper Seal Kit | |
| | Name | Qty. | |
| 1 | K141 | 5 | Seal |
| | | | |
| | | | |
| | | | |
| | | | |
| | | | |



| | | | |
|------------------------|-------------|--------------------|-----------|
| ANDAC No | | 0810 30203 | |
| OE Reference No | | | |
| Application | | MAXX 22 MAN | |
| Description | | Caliper Repair Kit | |
| | Name | Qty. | |
| 1 | S140 | 1 | Metal Cap |
| 2 | K137 | 1 | Gasket |
| | | | |
| | | | |
| | | | |
| | | | |



| | | | |
|------------------------|-------------|--------------------|---------------|
| ANDAC No | | 0810 30204 | |
| OE Reference No | | | |
| Application | | MAXX 22 MAN | |
| Description | | Caliper Repair Kit | |
| | Name | Qty. | |
| 1 | S139 | 1 | Caliper Cover |
| 2 | C7 | 6 | Screw M8x16mm |
| | | | |
| | | | |
| | | | |
| | | | |

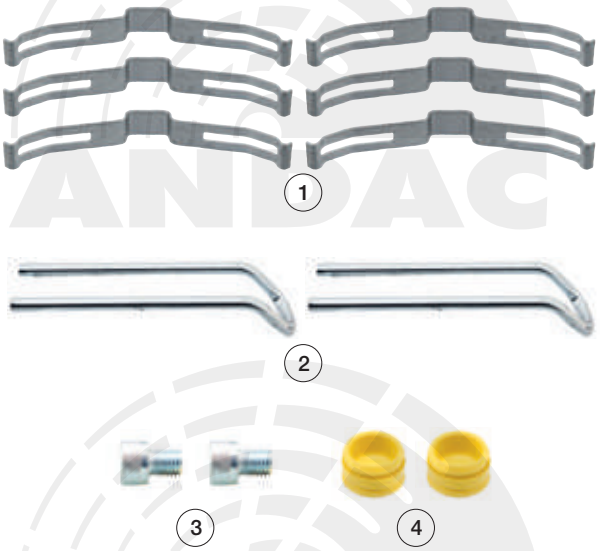


WABCO MAXX 22 MAN

| | | | |
|------------------------|-------------|-------------------------------|--------------|
| ANDAC No | | 0810 30214 | |
| OE Reference No | | 81.50822-6040 - 640 322 928 2 | |
| Application | | MAXX 22 MAN | |
| Description | | Caliper Sensor Cover | |
| | Name | Qty. | |
| 1 | P64 | 1 | Sensor Cover |
| 2 | K19 | 1 | Rubber Cap |



| | | | |
|------------------------|-------------|--------------------------|------------------|
| ANDAC No | | 0810 30205 | |
| OE Reference No | | WVA 29279 | |
| Application | | MAXX 22 MAN | |
| Description | | Caliper Pad Retainer Kit | |
| | Name | Qty. | |
| 1 | S143 | 6 | Retention Spring |
| 2 | S144 | 2 | Pad Retainer |
| 3 | C72 | 2 | Screw M10x12mm |
| 4 | K19 | 2 | Rubber Tap |



| | | | |
|------------------------|-------------|----------------------------|------------|
| ANDAC No | | 0810 30211 | |
| OE Reference No | | 6403229352 | |
| Application | | MAXX 22 MAN | |
| Description | | Caliper Push Plate (Right) | |
| | Name | Qty. | |
| 1 | T369 | 1 | Push Plate |



| | | | |
|------------------------|-------------|---------------------------|------------|
| ANDAC No | | 0810 30212 | |
| OE Reference No | | 6403229352 | |
| Application | | MAXX 22 MAN | |
| Description | | Caliper Push Plate (Left) | |
| | Name | Qty. | |
| 1 | T380 | 1 | Push Plate |
| | | | |
| | | | |
| | | | |
| | | | |
| | | | |
| | | | |
| | | | |



**WABCO
MAXX 22 MB**



WABCO
MAXX 22 MB

| | | | |
|------------------------|-------------|--------------------------------------|---------------------|
| ANDAC No | | 0810 30197 | |
| OE Reference No | | | |
| Application | | MAXX 22 MB | |
| Description | | Caliper Adjusting Mechanism Complete | |
| | Name | Qty. | |
| 1 | T363 | 1 | Adjusting Mechanism |
| 2 | Y64 | 2 | Spring |
| | | | |
| | | | |
| | | | |
| | | | |
| | | | |



| | | | |
|------------------------|-------------|-------------------|--------|
| ANDAC No | | 0810 30231 | |
| OE Reference No | | | |
| Application | | MAXX 22 MB | |
| Description | | Caliper Bridge | |
| | Name | Qty. | |
| 1 | T424 | 1 | Bridge |
| 2 | Y64 | 2 | Spring |
| | | | |
| | | | |
| | | | |
| | | | |
| | | | |



| | | | |
|------------------------|-------------|---------------------------------|----------------|
| ANDAC No | | 0810 30232 | |
| OE Reference No | | | |
| Application | | MAXX 22 MB | |
| Description | | Caliper Adjusting Mechanism Kit | |
| | Name | Qty. | |
| 1 | T359 | 1 | Screw |
| 2 | T358 | 1 | Adjuster Pin |
| 3 | T362 | 1 | Adjusting Gear |
| 4 | Y63 | 1 | Spring |
| 5 | T361 | 1 | Clutch |
| 6 | T360 | 1 | Retainer |
| | | | |
| | | | |
| | | | |



WABCO MAXX 22 MB

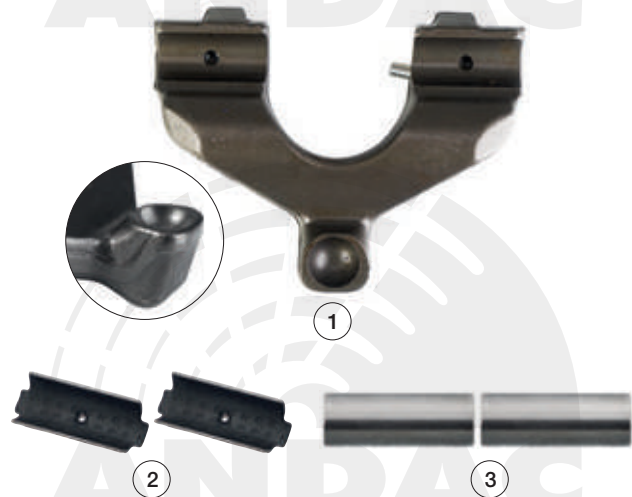
| | | | |
|------------------------|-------------|---------------------------------|----------------|
| ANDAC No | | 0810 30198 | |
| OE Reference No | | | |
| Application | | MAXX 22 MB | |
| Description | | Caliper Adjusting Mechanism Kit | |
| | Name | Qty. | |
| 1 | T359 | 1 | Screw |
| 2 | T358 | 1 | Adjuster Pin |
| 3 | T362 | 1 | Adjusting Gear |
| 4 | Y63 | 1 | Spring |
| 5 | T361 | 1 | Clutch |
| 6 | T360 | 1 | Retainer |
| 7 | S145 | 1 | Washer |
| 8 | S146 | 1 | Washer |
| 9 | S147 | 3 | Washer |
| 10 | SK16 | 1 | Snap Ring |
| 11 | SK17 | 1 | Snap Ring |



| | | | |
|------------------------|-------------|--------------------------|-------|
| ANDAC No | | 0810 30233 | |
| OE Reference No | | | |
| Application | | MAXX 22 MB | |
| Description | | Caliper Calibration Bolt | |
| | Name | Qty. | |
| 1 | T359 | 1 | Screw |
| | | | |
| | | | |
| | | | |



| | | | |
|------------------------|-------------|-------------------|---------------|
| ANDAC No | | 0810 30239 | |
| OE Reference No | | | |
| Application | | MAXX 22 MB | |
| Description | | Caliper Lever | |
| | Name | Qty. | |
| 1 | T574 | 1 | Lever |
| 2 | S141 | 2 | Lever Bearing |
| 3 | T365 | 2 | Pin |
| | | | |
| | | | |
| | | | |



WABCO
MAXX 22 MB

| | | | |
|------------------------|-------------|------------------------|----------------|
| ANDAC No | | 0810 30201 | |
| OE Reference No | | | |
| Application | | MAXX 22 MB | |
| Description | | Caliper Roller Bearing | |
| | Name | Qty. | |
| 1 | R40 | 2 | Roller Bearing |
| | | | |
| | | | |
| | | | |
| | | | |
| | | | |
| | | | |
| | | | |



| | | | |
|------------------------|-------------|----------------------------|----------------|
| ANDAC No | | 0810 30200 | |
| OE Reference No | | | |
| Application | | MAXX 22 MB | |
| Description | | Caliper Roller Bearing Kit | |
| | Name | Qty. | |
| 1 | R40 | 2 | Roller Bearing |
| 2 | S141 | 2 | Lever Bearing |
| 3 | T365 | 2 | Pin |
| | | | |
| | | | |
| | | | |
| | | | |
| | | | |
| | | | |



| | | | |
|------------------------|-------------|--------------------|-----------|
| ANDAC No | | 0810 30206 | |
| OE Reference No | | | |
| Application | | MAXX 22 MB | |
| Description | | Caliper Repair Kit | |
| | Name | Qty. | |
| 1 | S145 | 1 | Washer |
| 2 | S146 | 1 | Washer |
| 3 | S147 | 3 | Washer |
| 4 | SK16 | 1 | Snap Ring |
| 5 | SK17 | 1 | Snap Ring |
| | | | |
| | | | |
| | | | |
| | | | |
| | | | |



WABCO
MAXX 22 MB

WABCO MAXX 22 MB

| ANDAC No | | 0810 30240 | |
|-----------------|------|-----------------------------|--|
| OE Reference No | | | |
| Application | | MAXX 22 MAN | |
| Description | | Caliper Repair Kit Complete | |
| Name | Qty. | | |
| 1 T389 | 1 | Guide Pin Ø38x118mm | |
| 2 C128 | 2 | Screw M16x1,5x80mm - 12.9 | |
| 3 T31 | 1 | Guide Pin Ø38x76mm | |
| 4 S15 | 2 | Metal Ring | |
| 5 K17 | 2 | Boot | |
| 6 K18 | 1 | Boot | |
| 7 K19 | 1 | Rubber Tap | |
| 8 K139 | 1 | Seal | |
| 9 S5 | 2 | Metal Tap | |
| 10 B48 | 3 | Bush | |
| 11 T363 | 1 | Adjusting Mechanism | |
| 12 Y64 | 2 | Spring | |
| 13 T365 | 2 | Pin | |
| 14 S141 | 2 | Lever Bearing | |
| 15 R40 | 2 | Roller Bearing | |
| 16 T574 | 1 | Lever | |



| ANDAC No | | 0810 30235 | |
|-----------------|------|-----------------------------|--|
| OE Reference No | | | |
| Application | | MAXX 22 MAN | |
| Description | | Caliper Repair Kit Complete | |
| Name | Qty. | | |
| 1 T389 | 1 | Guide Pin Ø38x118mm | |
| 2 C128 | 2 | Screw M16x1,5x80mm - 12.9 | |
| 3 T31 | 1 | Guide Pin Ø38x76mm | |
| 4 S15 | 2 | Metal Ring | |
| 5 K17 | 2 | Boot | |
| 6 K18 | 1 | Boot | |
| 7 K19 | 1 | Rubber Tap | |
| 8 K139 | 1 | Seal | |
| 9 S5 | 2 | Metal Tap | |
| 10 B48 | 3 | Bush | |
| 11 T363 | 1 | Adjusting Mechanism | |
| 12 Y64 | 2 | Spring | |



| ANDAC No | | 0810 30236 | |
|-----------------|------|-----------------------------|--|
| OE Reference No | | | |
| Application | | MAXX 22 MAN | |
| Description | | Caliper Repair Kit Complete | |
| Name | Qty. | | |
| 1 T389 | 1 | Guide Pin Ø38x118mm | |
| 2 C128 | 2 | Screw M16x1,5x80mm - 12.9 | |
| 3 T31 | 1 | Guide Pin Ø38x76mm | |
| 4 S15 | 2 | Metal Ring | |
| 5 K17 | 2 | Boot | |
| 6 K18 | 1 | Boot | |
| 7 K19 | 1 | Rubber Tap | |
| 8 K139 | 1 | Seal | |
| 9 S5 | 2 | Metal Tap | |
| 10 B48 | 3 | Bush | |
| 11 T499 | 1 | Adjusting Mechanism | |
| 12 S145 | 1 | Washer | |
| 13 S146 | 1 | Washer | |
| 14 S147 | 3 | Washer | |
| 15 SK16 | 1 | Snap Ring | |
| 16 SK17 | 1 | Snap Ring | |
| 17 T362 | 1 | Adjusting Gear | |



| ANDAC No | | 0810 30237 | |
|-----------------|------|-----------------------------|--|
| OE Reference No | | | |
| Application | | MAXX 22 MAN | |
| Description | | Caliper Repair Kit Complete | |
| Name | Qty. | | |
| 1 T389 | 1 | Guide Pin Ø38x118mm | |
| 2 C128 | 2 | Screw M16x1,5x80mm - 12.9 | |
| 3 T31 | 1 | Guide Pin Ø38x76mm | |
| 4 S15 | 2 | Metal Ring | |
| 5 K17 | 2 | Boot | |
| 6 K18 | 1 | Boot | |
| 7 K19 | 1 | Rubber Tap | |
| 8 K139 | 1 | Seal | |
| 9 S5 | 2 | Metal Tap | |
| 10 B48 | 3 | Bush | |
| 11 T499 | 1 | Adjusting Mechanism | |
| 12 T362 | 1 | Adjusting Gear | |



WABCO
MAXX 22 MB

| ANDAC No | | 0810 30196 | |
|-----------------|------|-------------------------------|--|
| OE Reference No | | 81.50822-6038 - 640 322 926 2 | |
| Application | | MAXX 22 MB | |
| Description | | Caliper Repair Kit | |
| Name | Qty. | | |
| 1 T389 | 1 | Guide Pin Ø38x118mm | |
| 2 C128 | 2 | Screw M16x1,5x80mm - 12.9 | |
| 3 T31 | 1 | Guide Pin Ø38x76mm | |
| 4 S15 | 2 | Metal Ring | |
| 5 K17 | 2 | Boot | |
| 6 K18 | 1 | Boot | |
| 7 K19 | 1 | Rubber Tap | |
| 8 K139 | 1 | Seal | |
| 9 S5 | 2 | Metal Tap | |
| 10 B48 | 3 | Bush | |



| ANDAC No | | 0810 30202 | |
|-----------------|------|--|--|
| OE Reference No | | 6403229272 - 81508226039 - P3093000490 | |
| Application | | MAXX 22 MB | |
| Description | | Caliper Repair Kit | |
| Name | Qty. | | |
| 1 K19 | 1 | Rubber Tap | |
| 2 K139 | 1 | Seal | |
| 3 T366 | 1 | Adjusting Gear | |
| 4 T367 | 1 | Adjuster Pin | |



| ANDAC No | | 0810 30238 | |
|-----------------|------|------------------|--|
| OE Reference No | | 6403222692 | |
| Application | | MAXX 22 MB | |
| Description | | Caliper Seal Kit | |
| Name | Qty. | | |
| 1 K60 | 5 | Cover Seal | |



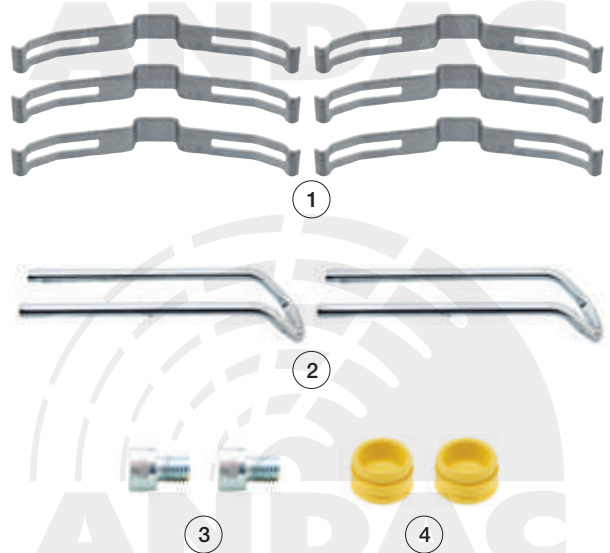
| | | | |
|------------------------|-------------|--------------------|---------------|
| ANDAC No | | 0810 30204 | |
| OE Reference No | | | |
| Application | | MAXX 22 MB | |
| Description | | Caliper Repair Kit | |
| | Name | Qty. | |
| 1 | S139 | 1 | Caliper Cover |
| 2 | C7 | 6 | Screw M8x16mm |
| | | | |
| | | | |
| | | | |
| | | | |
| | | | |
| | | | |



| | | | |
|------------------------|-------------|----------------------|--------------|
| ANDAC No | | 0810 30241 | |
| OE Reference No | | | |
| Application | | MAXX 22 MB | |
| Description | | Caliper Sensor Cover | |
| | Name | Qty. | |
| 1 | P73 | 1 | Sensor Cover |
| 2 | K19 | 1 | Rubber Cap |
| | | | |
| | | | |
| | | | |
| | | | |
| | | | |



| | | | |
|------------------------|-------------|--------------------------|------------------|
| ANDAC No | | 0810 30205 | |
| OE Reference No | | WVA 29279 | |
| Application | | MAXX 22 MB | |
| Description | | Caliper Pad Retainer Kit | |
| | Name | Qty. | |
| 1 | S143 | 6 | Retention Spring |
| 2 | S144 | 2 | Pad Retainer |
| 3 | C72 | 2 | Screw M10x12mm |
| 4 | K19 | 2 | Rubber Tap |
| | | | |
| | | | |
| | | | |
| | | | |



WABCO
MAXX 22 MB

WABCO MAXX 22 MB

| | | | |
|------------------------|-------------|----------------------------|------------|
| ANDAC No | | 0810 30211 | |
| OE Reference No | | 6403229352 | |
| Application | | MAXX 22 MB | |
| Description | | Caliper Push Plate (Right) | |
| | Name | Qty. | |
| 1 | T369 | 1 | Push Plate |
| | | | |
| | | | |
| | | | |
| | | | |



| | | | |
|------------------------|-------------|---------------------------|------------|
| ANDAC No | | 0810 30212 | |
| OE Reference No | | 6403229352 | |
| Application | | MAXX 22 MB | |
| Description | | Caliper Push Plate (Left) | |
| | Name | Qty. | |
| 1 | T380 | 1 | Push Plate |
| | | | |
| | | | |
| | | | |
| | | | |





 **WABCO MAXX 22 MB**

WABCO
MAXX 22 MB

**WABCO
MAXX 22 T**



**WABCO
MAXX 22 T**

| | | | |
|------------------------|-------------|--------------------------------------|---------------------|
| ANDAC No | | 0810 30243 | |
| OE Reference No | | | |
| Application | | MAXX 22 T | |
| Description | | Caliper Adjusting Mechanism Complete | |
| | Name | Qty. | |
| 1 | T581 | 1 | Adjusting Mechanism |
| 2 | Y64 | 2 | Spring |
| | | | |
| | | | |
| | | | |
| | | | |



| | | | |
|------------------------|-------------|-------------------|--------|
| ANDAC No | | 0810 30245 | |
| OE Reference No | | | |
| Application | | MAXX 22 T | |
| Description | | Caliper Bridge | |
| | Name | Qty. | |
| 1 | T577 | 1 | Bridge |
| 2 | Y64 | 2 | Spring |
| | | | |
| | | | |
| | | | |
| | | | |



| | | | |
|------------------------|-------------|---------------------------------|--------------|
| ANDAC No | | 0810 30246 | |
| OE Reference No | | | |
| Application | | MAXX 22 T | |
| Description | | Caliper Adjusting Mechanism Kit | |
| | Name | Qty. | |
| 1 | T578 | 1 | Screw |
| 2 | T579 | 1 | Adjuster Pin |
| 3 | Y63 | 1 | Spring |
| 4 | T361 | 1 | Clutch |
| 5 | T360 | 1 | Retainer |
| | | | |
| | | | |
| | | | |
| | | | |



ANDAC No 0810 30244

| OE Reference No | | |
|-----------------|------|---------------------------------|
| Application | | MAXX 22 T |
| Description | | Caliper Adjusting Mechanism Kit |
| Name | Qty. | |
| 1 T578 | 1 | Screw |
| 2 T579 | 1 | Adjuster Pin |
| 3 Y63 | 1 | Spring |
| 4 T361 | 1 | Clutch |
| 5 T360 | 1 | Retainer |
| 6 S145 | 1 | Washer |
| 7 SK16 | 1 | Snap Ring |
| 8 S146 | 1 | Washer |
| 9 S147 | 3 | Washer |
| 10 SK17 | 1 | Snap Ring |
| 11 S35 | 1 | Washer |



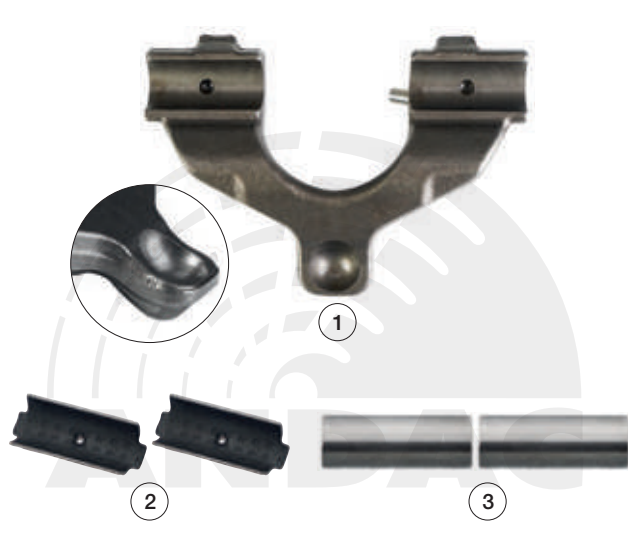
ANDAC No 0810 30247

| OE Reference No | | |
|-----------------|------|--------------------------|
| Application | | MAXX 22 T |
| Description | | Caliper Calibration Bolt |
| Name | Qty. | |
| 1 T578 | 1 | Screw |



ANDAC No 0810 30248

| OE Reference No | | |
|-----------------|------|---------------|
| Application | | MAXX 22 T |
| Description | | Caliper Lever |
| Name | Qty. | |
| 1 T582 | 1 | Lever |
| 2 S141 | 2 | Lever Bearing |
| 3 T365 | 2 | Pin |



| ANDAC No | | 0810 30249 | |
|-----------------|------|---------------------------|--|
| OE Reference No | | | |
| Application | | MAXX 22 T | |
| Description | | Caliper Repair Kit | |
| Name | Qty. | | |
| 1 T575 | 1 | Guide Pin Ø38x118mm | |
| 2 C128 | 2 | Screw M16x1,5x80mm - 12.9 | |
| 3 T576 | 1 | Guide Pin Ø38x76mm | |
| 4 K61 | 2 | Boot | |
| 5 K18 | 1 | Boot | |
| 6 K19 | 1 | Rubber Tap | |
| 7 K20 | 1 | Seal | |
| 8 S5 | 2 | Metal Tap | |
| 9 B6 | 3 | Bush | |
| 10 T581 | 1 | Adjusting Mechanism | |
| 11 Y64 | 2 | Spring | |
| 12 T365 | 2 | Pin | |
| 13 S141 | 2 | Lever Bearing | |
| 14 R40 | 2 | Roller Bearing | |
| 15 T582 | 1 | Lever | |



| ANDAC No | | 0810 30250 | |
|-----------------|------|---------------------------|--|
| OE Reference No | | | |
| Application | | MAXX 22 T | |
| Description | | Caliper Repair Kit | |
| Name | Qty. | | |
| 1 T575 | 1 | Guide Pin Ø38x118mm | |
| 2 C128 | 2 | Screw M16x1,5x80mm - 12.9 | |
| 3 T576 | 1 | Guide Pin Ø38x76mm | |
| 4 K61 | 2 | Boot | |
| 5 K18 | 1 | Boot | |
| 6 K19 | 1 | Rubber Tap | |
| 7 K20 | 1 | Seal | |
| 8 S5 | 2 | Metal Tap | |
| 9 B6 | 3 | Bush | |
| 10 T581 | 1 | Adjusting Mechanism | |
| 11 Y64 | 2 | Spring | |



| | | |
|------------------------|--------------------|-----------------------------|
| ANDAC No | 0810 30251 | |
| OE Reference No | | |
| Application | MAXX 22 T | |
| Description | Caliper Repair Kit | |
| | Name | Qty. |
| 1 | T575 | 1 Guide Pin Ø38x118mm |
| 2 | C128 | 2 Screw M16x1,5x80mm - 12.9 |
| 3 | T576 | 1 Guide Pin Ø38x76mm |
| 4 | K61 | 2 Boot |
| 5 | K18 | 1 Boot |
| 6 | K19 | 1 Rubber Tap |
| 7 | K20 | 1 Seal |
| 8 | S5 | 2 Metal Tap |
| 9 | B6 | 3 Bush |
| 10 | T580 | 1 Adjusting Mechanism |
| 11 | S145 | 1 Washer |
| 12 | SK16 | 1 Snap Ring |
| 13 | S146 | 1 Washer |
| 14 | S147 | 3 Washer |
| 15 | SK17 | 1 Snap Ring |
| 16 | S35 | 1 Washer |



| | | |
|------------------------|--------------------|-----------------------------|
| ANDAC No | 0810 30252 | |
| OE Reference No | | |
| Application | MAXX 22 T | |
| Description | Caliper Repair Kit | |
| | Name | Qty. |
| 1 | T575 | 1 Guide Pin Ø38x118mm |
| 2 | C128 | 2 Screw M16x1,5x80mm - 12.9 |
| 3 | T576 | 1 Guide Pin Ø38x76mm |
| 4 | K61 | 2 Boot |
| 5 | K18 | 1 Boot |
| 6 | K19 | 1 Rubber Tap |
| 7 | K20 | 1 Seal |
| 8 | S5 | 2 Metal Tap |
| 9 | B6 | 3 Bush |
| 10 | T580 | 1 Adjusting Mechanism |



| | | | |
|------------------------|-------------|--------------------------------------|---------------------------|
| ANDAC No | | 0810 30257 | |
| OE Reference No | | 640 222 928 2 - 1199858 - 6402229282 | |
| Application | | MAXX 22 T | |
| Description | | Caliper Repair Kit | |
| | Name | Qty. | |
| 1 | T575 | 1 | Guide Pin Ø38x118mm |
| 2 | C128 | 2 | Screw M16x1,5x80mm - 12.9 |
| 3 | T576 | 1 | Guide Pin Ø38x76mm |
| 4 | K61 | 2 | Boot |
| 5 | K18 | 1 | Boot |
| 6 | K19 | 1 | Rubber Tap |
| 7 | S5 | 2 | Metal Tap |
| 8 | B6 | 3 | Bush |



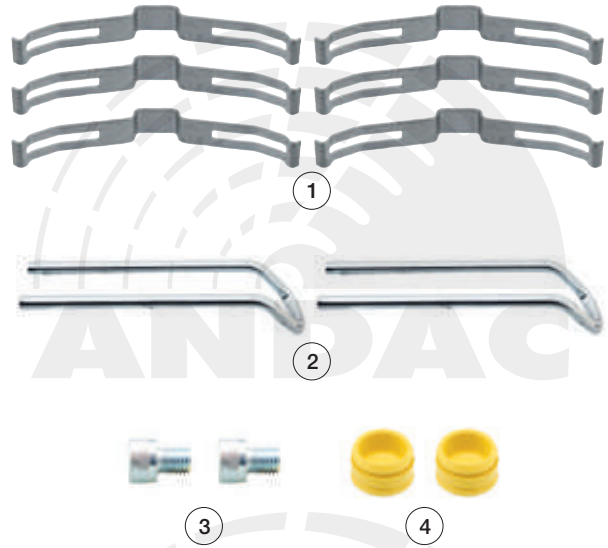
| | | | |
|------------------------|-------------|-------------------|------------|
| ANDAC No | | 0810 30238 | |
| OE Reference No | | 6403222692 | |
| Application | | MAXX 22 T | |
| Description | | Caliper Seal Kit | |
| | Name | Qty. | |
| 1 | K60 | 5 | Cover Seal |



| | | | |
|------------------------|-------------|--------------------|---------------|
| ANDAC No | | 0810 30253 | |
| OE Reference No | | 6403196504 | |
| Application | | MAXX 22 T | |
| Description | | Caliper Repair Kit | |
| | Name | Qty. | |
| 1 | S127 | 1 | Caliper Cover |
| 2 | C7 | 6 | Screw M8x16mm |



| | | | |
|------------------------|-------------|--------------------------|------------------|
| ANDAC No | | 0810 30205 | |
| OE Reference No | | WVA 29279 | |
| Application | | MAXX 22 T | |
| Description | | Caliper Pad Retainer Kit | |
| | Name | Qty. | |
| 1 | S143 | 6 | Retention Spring |
| 2 | S144 | 2 | Pad Retainer |
| 3 | C72 | 2 | Screw M10x12mm |
| 4 | K19 | 2 | Rubber Tap |



| | | | |
|------------------------|-------------|--------------------------------|------------|
| ANDAC No | | 0810 30154 | |
| OE Reference No | | 6402259262 - S353039 - 1146640 | |
| Application | | MAXX 22 T | |
| Description | | Caliper Push Plate (Right) | |
| | Name | Qty. | |
| 1 | T32 | 1 | Push Plate |



| | | | |
|------------------------|-------------|--------------------------------|------------|
| ANDAC No | | 0810 30155 | |
| OE Reference No | | 6402259262 - S353039 - 1146640 | |
| Application | | MAXX 22 T | |
| Description | | Caliper Push Plate (Left) | |
| | Name | Qty. | |
| 1 | T33 | 1 | Push Plate |



**WABCO
MAXXUS**



**WABCO
MAXXUS**

| | | | |
|------------------------|-------------|--------------------------------------|---------------------|
| ANDAC No | | 0810 30264 | |
| OE Reference No | | | |
| Application | | MAXXUS | |
| Description | | Caliper Adjusting Mechanism Complete | |
| | Name | Qty. | |
| 1 | T632 | 1 | Adjusting Mechanism |
| 2 | Y64 | 2 | Spring |
| | | | |
| | | | |
| | | | |
| | | | |
| | | | |



| | | | |
|------------------------|-------------|-------------------|--------|
| ANDAC No | | 0810 30231 | |
| OE Reference No | | | |
| Application | | MAXXUS | |
| Description | | Caliper Bridge | |
| | Name | Qty. | |
| 1 | T424 | 1 | Bridge |
| 2 | Y64 | 2 | Spring |
| | | | |
| | | | |
| | | | |
| | | | |



| | | | |
|------------------------|-------------|---------------------------------|----------------|
| ANDAC No | | 0810 30265 | |
| OE Reference No | | | |
| Application | | MAXXUS | |
| Description | | Caliper Adjusting Mechanism Kit | |
| | Name | Qty. | |
| 1 | T578 | 1 | Screw |
| 2 | T358 | 1 | Adjuster Pin |
| 3 | T362 | 1 | Adjusting Gear |
| 4 | Y63 | 1 | Spring |
| 5 | T361 | 1 | Clutch |
| 6 | T360 | 1 | Retainer |
| | | | |
| | | | |
| | | | |



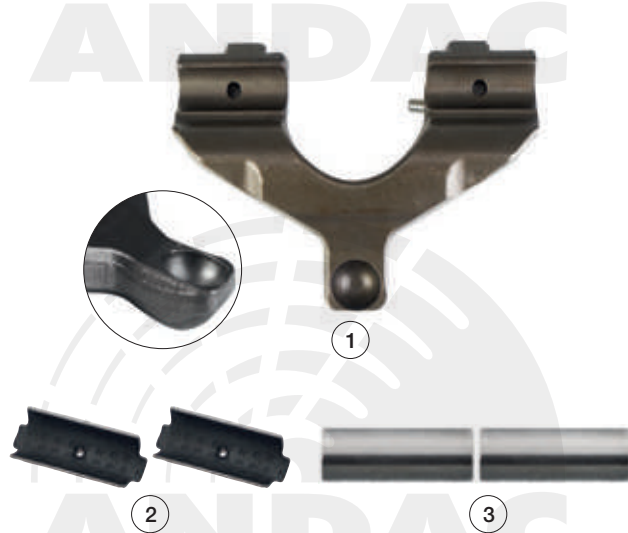
| ANDAC No | | 0810 30266 | |
|-----------------|------|---------------------------------|--|
| OE Reference No | | | |
| Application | | MAXXUS | |
| Description | | Caliper Adjusting Mechanism Kit | |
| Name | Qty. | | |
| 1 T578 | 1 | Screw | |
| 2 T358 | 1 | Adjuster Pin | |
| 3 T362 | 1 | Adjusting Gear | |
| 4 Y63 | 1 | Spring | |
| 5 T361 | 1 | Clutch | |
| 6 T360 | 1 | Retainer | |
| 7 S145 | 1 | Washer | |
| 8 SK16 | 1 | Snap Ring | |
| 9 S146 | 1 | Washer | |
| 10 S147 | 3 | Washer | |
| 11 SK17 | 1 | Snap Ring | |



| ANDAC No | | 0810 30247 | |
|-----------------|------|--------------------------|--|
| OE Reference No | | | |
| Application | | MAXXUS | |
| Description | | Caliper Calibration Bolt | |
| Name | Qty. | | |
| 1 T578 | 1 | Screw | |



| ANDAC No | | 0810 30199 | |
|-----------------|------|---------------|--|
| OE Reference No | | | |
| Application | | MAXXUS | |
| Description | | Caliper Lever | |
| Name | Qty. | | |
| 1 T364 | 1 | Lever | |
| 2 S141 | 2 | Lever Bearing | |
| 3 T365 | 2 | Pin | |



| | | |
|------------------------|------------------------|-------------|
| ANDAC No | 0810 30201 | |
| OE Reference No | | |
| Application | MAXXUS | |
| Description | Caliper Roller Bearing | |
| | Name | Qty. |
| 1 | R40 | 2 |
| | Roller Bearing | |



| | | |
|------------------------|----------------------------|-------------|
| ANDAC No | 0810 30200 | |
| OE Reference No | | |
| Application | MAXXUS | |
| Description | Caliper Roller Bearing Kit | |
| | Name | Qty. |
| 1 | R40 | 2 |
| 2 | S141 | 2 |
| 3 | T365 | 2 |
| | Roller Bearing | |
| | Lever Bearing | |
| | Pin | |



| | | |
|------------------------|--------------------------------------|-------------|
| ANDAC No | 0810 30268 | |
| OE Reference No | | |
| Application | MAXXUS | |
| Description | Caliper Adjusting Mechanism Complete | |
| | Name | Qty. |
| 1 | T575 | 1 |
| 2 | C128 | 2 |
| 3 | T576 | 1 |
| 4 | K61 | 2 |
| 5 | K139 | 1 |
| 6 | K18 | 1 |
| 7 | K19 | 1 |
| 8 | K60 | 1 |
| 9 | S5 | 2 |
| 10 | B48 | 3 |
| 11 | T632 | 1 |
| 12 | Y64 | 2 |
| 13 | T365 | 2 |
| 14 | S141 | 2 |
| 15 | R40 | 2 |
| 16 | T364 | 1 |
| | Guide Pin Ø38x118mm | |
| | Screw M16x1,5x80mm - 12.9 | |
| | Guide Pin Ø38x76mm | |
| | Boot | |
| | Seal | |
| | Boot | |
| | Rubber Tap | |
| | Seal | |
| | Metal Tap | |
| | Bush | |
| | Adjusting Mechanism | |
| | Spring | |
| | Pin | |
| | Lever Bearing | |
| | Roller Bearing | |
| | Lever | |



| ANDAC No | | 0810 30269 | |
|-----------------|------|--------------------------------------|--|
| OE Reference No | | | |
| Application | | MAXXUS | |
| Description | | Caliper Adjusting Mechanism Complete | |
| Name | Qty. | | |
| 1 T575 | 1 | Guide Pin Ø38x118mm | |
| 2 C128 | 2 | Screw M16x1,5x80mm - 12.9 | |
| 3 T576 | 1 | Guide Pin Ø38x76mm | |
| 4 K61 | 2 | Boot | |
| 5 K139 | 1 | Seal | |
| 6 K18 | 1 | Boot | |
| 7 K19 | 1 | Rubber Tap | |
| 8 K60 | 1 | Seal | |
| 9 S5 | 2 | Metal Tap | |
| 10 B48 | 3 | Bush | |
| 11 T632 | 1 | Adjusting Mechanism | |
| 12 Y64 | 2 | Spring | |



| ANDAC No | | 0810 30270 | |
|-----------------|------|--------------------------------------|--|
| OE Reference No | | | |
| Application | | MAXXUS | |
| Description | | Caliper Adjusting Mechanism Complete | |
| Name | Qty. | | |
| 1 T575 | 1 | Guide Pin Ø38x118mm | |
| 2 C128 | 2 | Screw M16x1,5x80mm - 12.9 | |
| 3 T576 | 1 | Guide Pin Ø38x76mm | |
| 4 K61 | 2 | Boot | |
| 5 K139 | 1 | Seal | |
| 6 K18 | 1 | Boot | |
| 7 K19 | 1 | Rubber Tap | |
| 8 K60 | 1 | Seal | |
| 9 S5 | 2 | Metal Tap | |
| 10 B48 | 3 | Bush | |
| 11 T633 | 1 | Adjusting Mechanism | |
| 12 S145 | 1 | Washer | |
| 13 SK16 | 1 | Snap Ring | |
| 14 S146 | 1 | Washer | |
| 15 S147 | 3 | Washer | |
| 16 SK17 | 1 | Snap Ring | |
| 17 T362 | 1 | Adjusting Gear | |



| | | |
|------------------------|--------------------------------------|-------------|
| ANDAC No | 0810 30271 | |
| OE Reference No | | |
| Application | MAXXUS | |
| Description | Caliper Adjusting Mechanism Complete | |
| | Name | Qty. |
| 1 | T575 | 1 |
| 2 | C128 | 2 |
| 3 | T576 | 1 |
| 4 | K61 | 2 |
| 5 | K139 | 1 |
| 6 | K18 | 1 |
| 7 | K19 | 1 |
| 8 | K60 | 1 |
| 9 | S5 | 2 |
| 10 | B48 | 3 |
| 11 | T633 | 1 |
| 12 | T362 | 1 |



| | | |
|------------------------|--|-------------|
| ANDAC No | 0810 30272 | |
| OE Reference No | 6403229382 - 640 322 938 2 - P3093000460 | |
| Application | MAXXUS | |
| Description | Caliper Repair Kit | |
| | Name | Qty. |
| 1 | T575 | 1 |
| 2 | C128 | 2 |
| 3 | T576 | 1 |
| 4 | K61 | 2 |
| 5 | K18 | 1 |
| 6 | K19 | 1 |
| 7 | S5 | 2 |
| 8 | B48 | 3 |



| | | |
|------------------------|-------------------|-------------|
| ANDAC No | 0810 30238 | |
| OE Reference No | 6403222692 | |
| Application | MAXXUS | |
| Description | Caliper Seal Kit | |
| | Name | Qty. |
| 1 | K60 | 5 |



| | | | |
|------------------------|-------------|----------------------------|------|
| ANDAC No | | 0810 30267 | |
| OE Reference No | | 6403229322 - 640 322 932 2 | |
| Application | | MAXXUS | |
| Description | | Caliper Boot Kit | |
| | Name | Qty. | |
| 1 | K61 | 2 | Boot |
| 2 | K18 | 1 | Boot |
| | | | |
| | | | |
| | | | |
| | | | |
| | | | |



| | | | |
|------------------------|-------------|--------------------|---------------|
| ANDAC No | | 0810 30204 | |
| OE Reference No | | | |
| Application | | MAXXUS | |
| Description | | Caliper Repair Kit | |
| | Name | Qty. | |
| 1 | S139 | 1 | Caliper Cover |
| 2 | C7 | 6 | Screw M8x16mm |
| | | | |
| | | | |
| | | | |
| | | | |
| | | | |



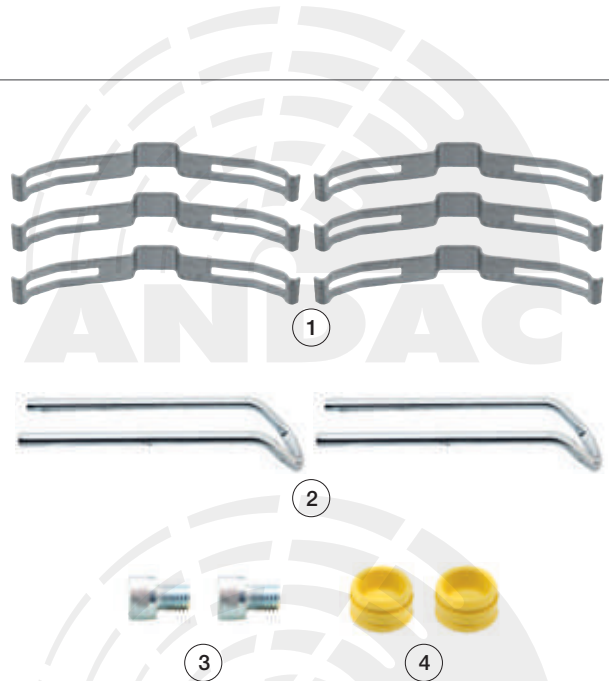
| | | | |
|------------------------|-------------|----------------------------|------------|
| ANDAC No | | 0810 30273 | |
| OE Reference No | | 6403229352 - 640 322 935 2 | |
| Application | | MAXXUS | |
| Description | | Caliper Push Plate (Right) | |
| | Name | Qty. | |
| 1 | T628 | 1 | Push Plate |
| | | | |
| | | | |
| | | | |
| | | | |
| | | | |



| | | | |
|------------------------|-------------|----------------------------|------------|
| ANDAC No | | 0810 30274 | |
| OE Reference No | | 6403229352 - 640 322 935 2 | |
| Application | | MAXXUS | |
| Description | | Caliper Push Plate (Left) | |
| | Name | Qty. | |
| 1 | T627 | 1 | Push Plate |
| | | | |
| | | | |
| | | | |
| | | | |
| | | | |



| | | | |
|------------------------|-------------|--------------------|------------------|
| ANDAC No | | 0810 30205 | |
| OE Reference No | | WVA 29279 | |
| Application | | MAXXUS | |
| Description | | Caliper Repair Kit | |
| | Name | Qty. | |
| 1 | S143 | 6 | Retention Spring |
| 2 | S144 | 2 | Pad Retainer |
| 3 | C72 | 2 | Screw M10x12mm |
| 4 | K19 | 2 | Rubber Tap |
| | | | |
| | | | |
| | | | |



| | | | |
|------------------------|-------------|--|----------------|
| ANDAC No | | 0810 30202 | |
| OE Reference No | | 6403229272 - 81508226039 - P3093000490 | |
| Application | | MAXXUS | |
| Description | | Caliper Repair Kit | |
| | Name | Qty. | |
| 1 | K19 | 1 | Rubber Tap |
| 2 | K139 | 1 | Seal |
| 3 | T366 | 1 | Adjusting Gear |
| 4 | T367 | 1 | Adjuster Pin |
| | | | |
| | | | |
| | | | |



**WABCO
1000VG**



**WABCO
1000VG**

| | | |
|------------------------|---|----------------------|
| ANDAC No | 0810 30115 | |
| OE Reference No | 12999729VT - 81508006023 - 082139200 - 11015566 - 1517354 | |
| Application | 1000VG | |
| Description | Caliper Repair Kit | |
| | Name | Qty. |
| 1 | T140 | 2 Guide Pin Ø25x81mm |
| 2 | T141 | 2 Guide Pin Ø25x81mm |
| 3 | C25 | 4 Screw M12x1,5x90mm |
| 4 | K62 | 2 Boot |
| 5 | B24 | 8 Bush |
| 6 | K63 | 4 Boot |
| 7 | K64 | 2 O-Ring |
| 8 | K65 | 2 Seal |
| 9 | K66 | 2 Dust Cover |
| 10 | T142 | 4 Metal Tap |
| 11 | C26 | 2 Screw M6x1x20mm |
| 12 | Y13 | 2 Spring |



| | | |
|------------------------|--------------------|----------------------|
| ANDAC No | 0810 30344 | |
| OE Reference No | | |
| Application | 1000VG | |
| Description | Caliper Repair Kit | |
| | Name | Qty. |
| 1 | T140 | 1 Guide Pin Ø25x81mm |
| 2 | T141 | 1 Guide Pin Ø25x81mm |
| 3 | C25 | 2 Screw M12x1,5x90mm |
| 4 | K63 | 2 Boot |
| 5 | B24 | 4 Bush |
| 6 | T142 | 2 Metal Tap |



| | | |
|------------------------|--------------------|-------------|
| ANDAC No | 0810 30345 | |
| OE Reference No | | |
| Application | 1000VG | |
| Description | Caliper Repair Kit | |
| | Name | Qty. |
| 1 | K62 | 1 Boot |
| 2 | K63 | 2 Boot |

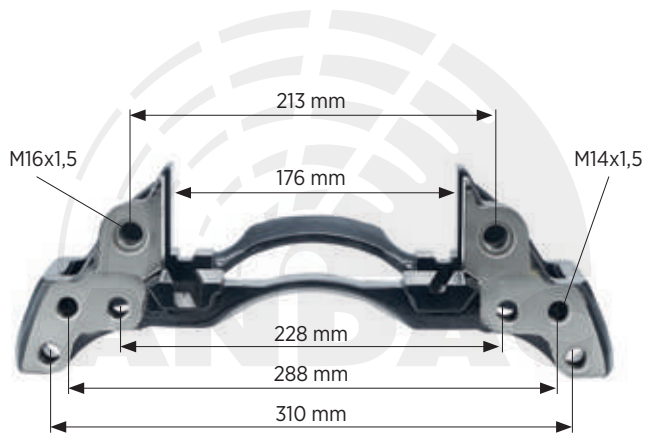


**WABCO
CARRIERS**

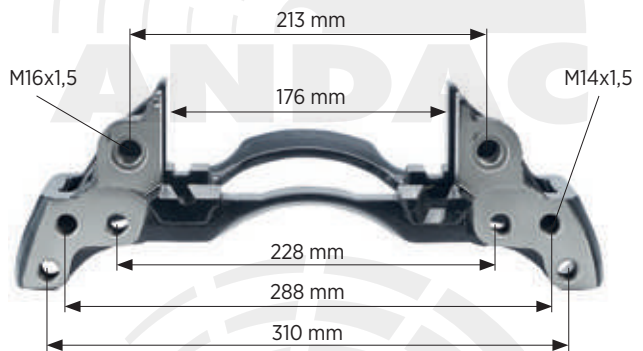


**WABCO
CARRIERS**

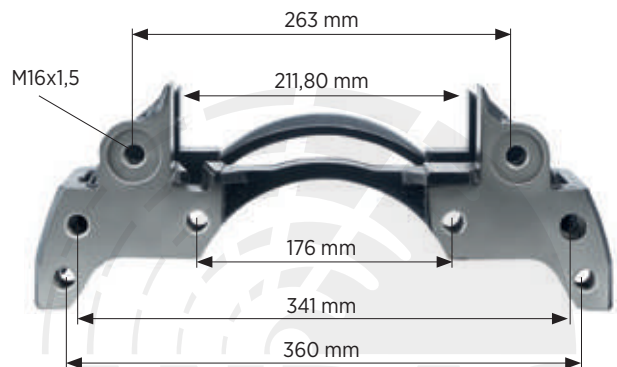
| | | | |
|------------------------|--|-------------|-----------------|
| ANDAC No | 0810 30186 | | |
| OE Reference No | 6401750012 - 5001852882 - 5010422260 -1403632 - 1440500 - 500328232 - 81508046355 - 81508046089 - 81508046073 | | |
| Application | PAN 17 | | |
| Description | Caliper Carrier (Left) | | |
| | Name | Qty. | |
| 1 | T299 | 1 | Caliper Carrier |
| | | | |
| | | | |
| | | | |
| | | | |



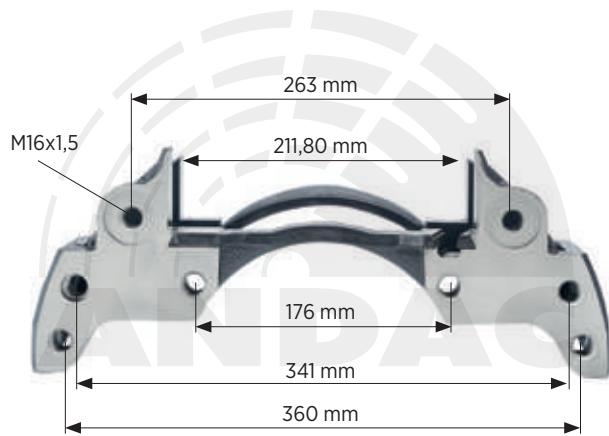
| | | | |
|------------------------|---|-------------|-----------------|
| ANDAC No | 0810 30187 | | |
| OE Reference No | 6401750022 - 5001852883 - 5010422261 - 1403633 - 1440501 - 500328234 - 81508046354 - 81508046090 - 81508046072 | | |
| Application | PAN 17 | | |
| Description | Caliper Carrier (Right) | | |
| | Name | Qty. | |
| 1 | T325 | 1 | Caliper Carrier |
| | | | |
| | | | |
| | | | |
| | | | |



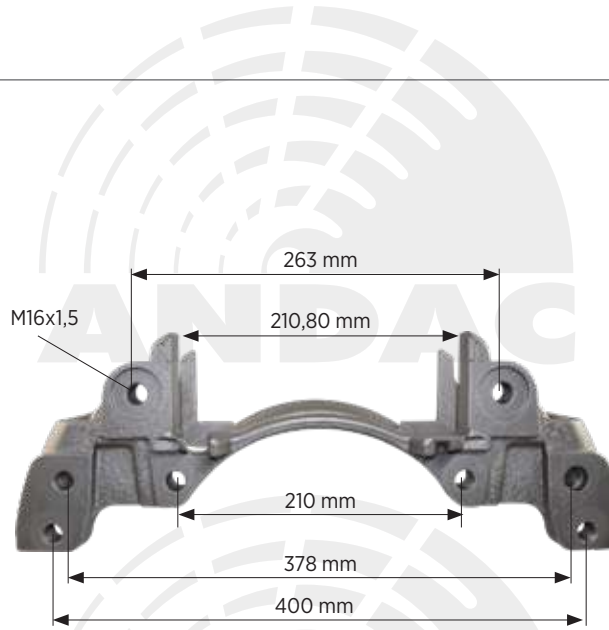
| | | | |
|------------------------|------------------------|-------------|-----------------|
| ANDAC No | 0810 30188 | | |
| OE Reference No | | | |
| Application | PAN 19-1 | | |
| Description | Caliper Carrier (Left) | | |
| | Name | Qty. | |
| 1 | T300 | 1 | Caliper Carrier |
| | | | |
| | | | |
| | | | |
| | | | |



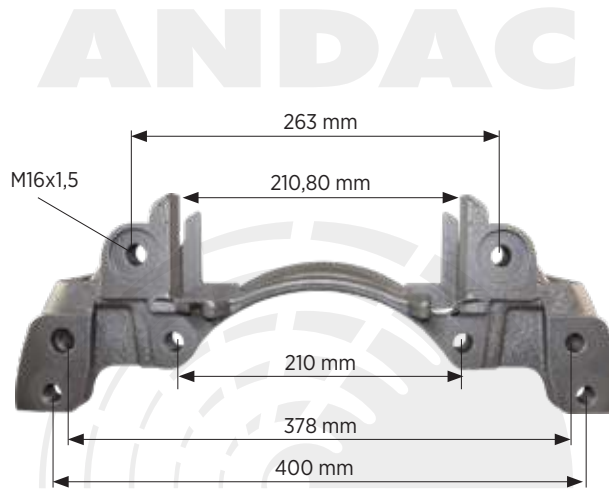
| | | | |
|--------------------|------|-------------------------|-----------------|
| ANDAC No | | 0810 30189 | |
| OE Reference No | | | |
| Application | | PAN 19-1 | |
| Description | | Caliper Carrier (Right) | |
| | Name | Qty. | |
| 1 | T326 | 1 | Caliper Carrier |



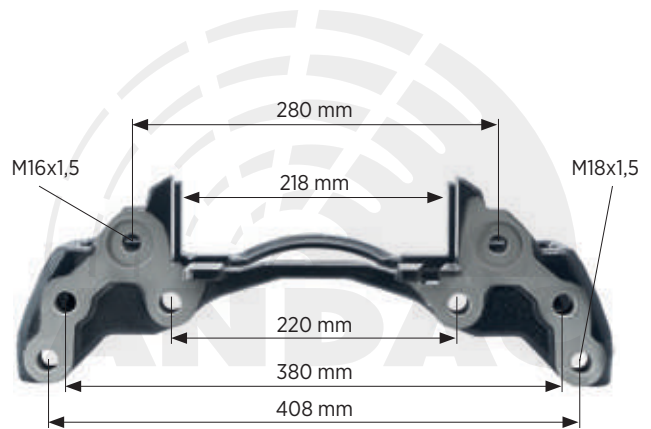
| | | | |
|---|------|------------------------|-----------------|
| ANDAC No | | 0810 30190 | |
| OE Reference No | | | |
| 40195017 - 40195001 - 40225015 - 40225016 - 3080003320 - 3080001901 | | | |
| Application | | PAN 19-1 PAN 22-1 | |
| Description | | Caliper Carrier (Left) | |
| | Name | Qty. | |
| 1 | T301 | 1 | Caliper Carrier |



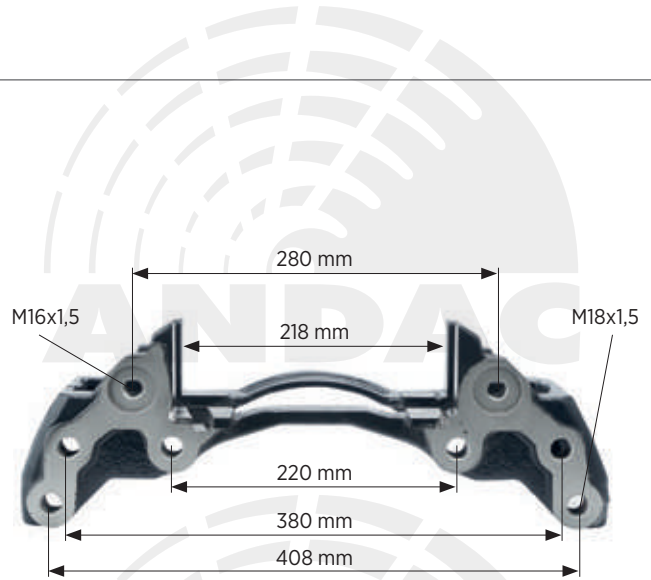
| | | | |
|---|------|-------------------------|-----------------|
| ANDAC No | | 0810 30191 | |
| OE Reference No | | | |
| 40195018 - 40195002 - 3080003220 - 3080001801 - 40225015 - 40225016 | | | |
| Application | | PAN 19-1 PAN 22-1 | |
| Description | | Caliper Carrier (Right) | |
| | Name | Qty. | |
| 1 | T327 | 1 | Caliper Carrier |



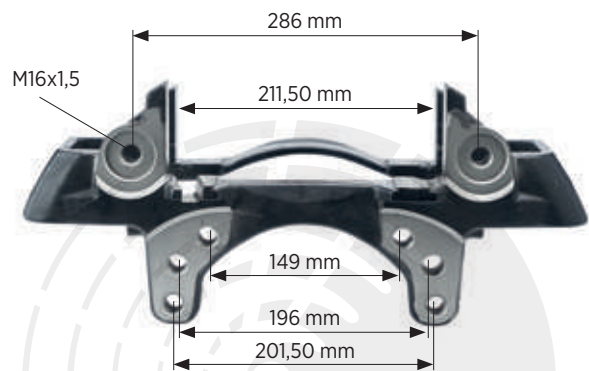
| | | | |
|------------------------|---|-------------|-----------------|
| ANDAC No | 0810 30207 | | |
| OE Reference No | 6403220050 - 6403220080 - 81.50804-6576 - 81.50804-6580 | | |
| Application | MAXX 22 - MAN | | |
| Description | Caliper Carrier (Right) | | |
| | Name | Qty. | |
| 1 | T373 | 1 | Caliper Carrier |
| | | | |
| | | | |
| | | | |
| | | | |



| | | | |
|------------------------|---|-------------|-----------------|
| ANDAC No | 0810 30215 | | |
| OE Reference No | 6403220040 - 6403220070 - 81.50804-6577 - 81.50804-6581 | | |
| Application | MAXX 22 - MAN | | |
| Description | Caliper Carrier (Left) | | |
| | Name | Qty. | |
| 1 | T384 | 1 | Caliper Carrier |
| | | | |
| | | | |
| | | | |
| | | | |

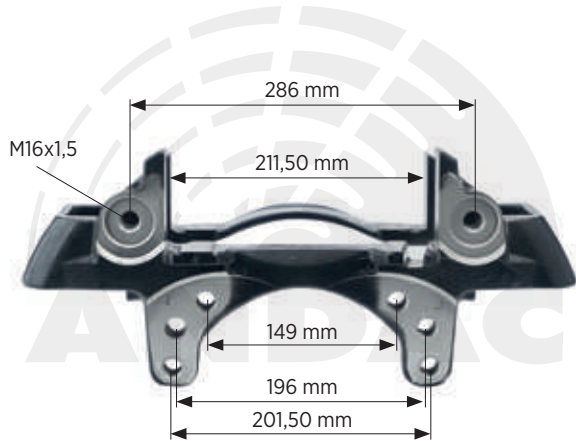


| | | | |
|------------------------|------------------------|-------------|-----------------|
| ANDAC No | 0810 30254 | | |
| OE Reference No | | | |
| Application | MAXX 22T | | |
| Description | Caliper Carrier (Left) | | |
| | Name | Qty. | |
| 1 | T583 | 1 | Caliper Carrier |
| | | | |
| | | | |
| | | | |
| | | | |

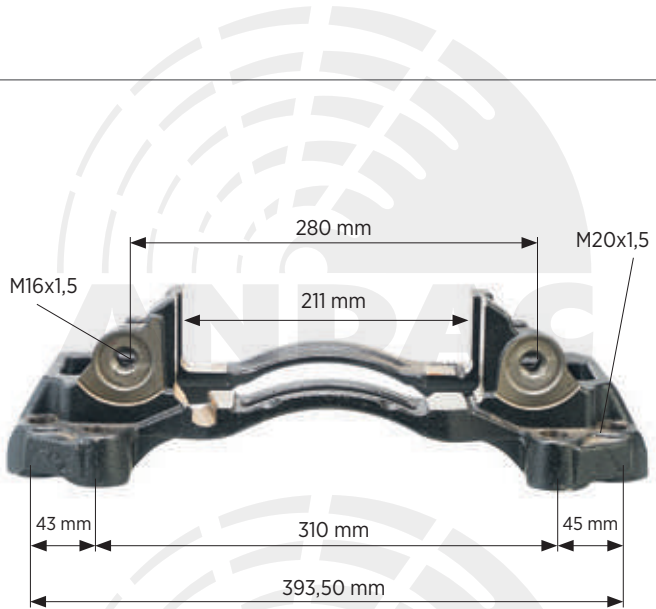


WABCO CARRIERS

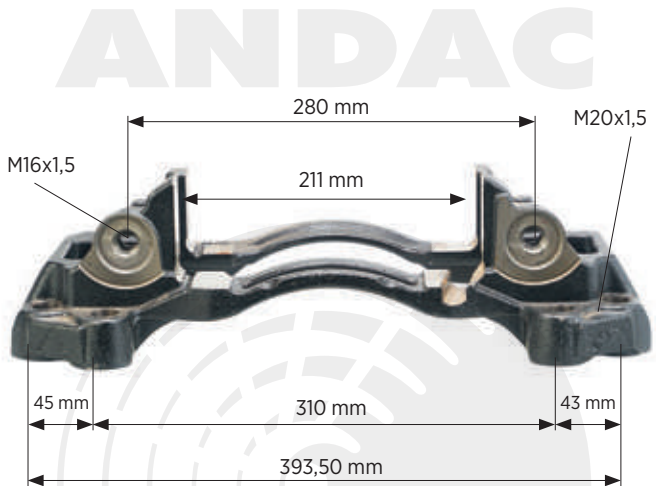
| | | | |
|--------------------|------|-------------------------|-----------------|
| ANDAC No | | 0810 30259 | |
| OE Reference No | | | |
| Application | | MAXX 22T | |
| Description | | Caliper Carrier (Right) | |
| | Name | Qty. | |
| 1 | T584 | 1 | Caliper Carrier |



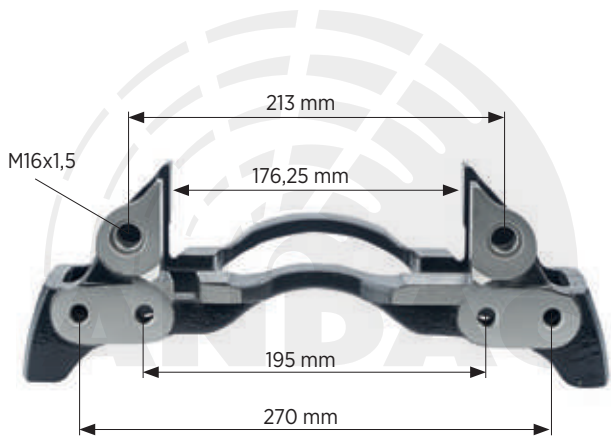
| | | | |
|--------------------|------|----------------------------|-----------------|
| ANDAC No | | 0810 30275 | |
| OE Reference No | | | |
| | | 6409097476 - 640 909 74 76 | |
| Application | | MAXXUS | |
| Description | | Caliper Carrier (Left) | |
| | Name | Qty. | |
| 1 | T629 | 1 | Caliper Carrier |



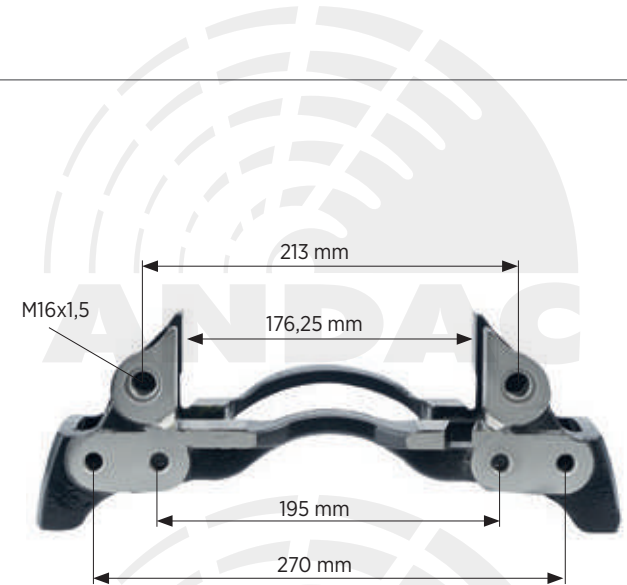
| | | | |
|--------------------|------|----------------------------|-----------------|
| ANDAC No | | 0810 30276 | |
| OE Reference No | | | |
| | | 6409097476 - 640 909 74 76 | |
| Application | | MAXXUS | |
| Description | | Caliper Carrier (Right) | |
| | Name | Qty. | |
| 1 | T637 | 1 | Caliper Carrier |



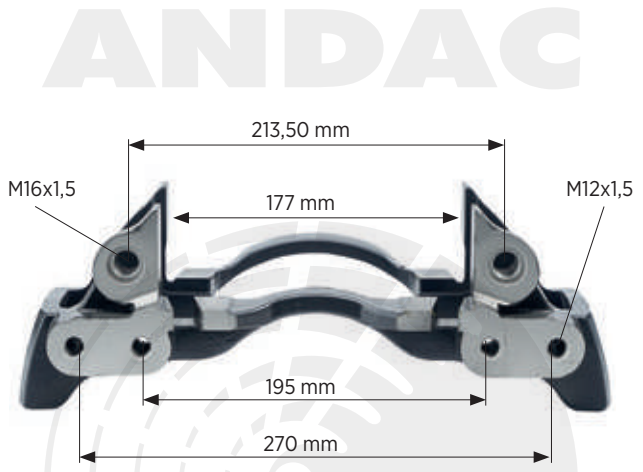
| | | | |
|------------------------|-------------|-----------------------------|-----------------|
| ANDAC No | | 0810 30284 | |
| OE Reference No | | | |
| Application | | PAN 17 | |
| Description | | Caliper Carrier (Left)Front | |
| | Name | Qty. | |
| 1 | T729 | 1 | Caliper Carrier |
| | | | |
| | | | |
| | | | |



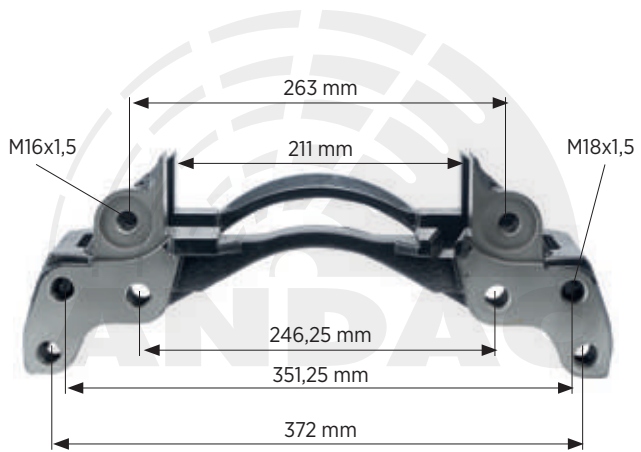
| | | | |
|------------------------|-------------|-------------------------------|-----------------|
| ANDAC No | | 0810 30285 | |
| OE Reference No | | | |
| Application | | PAN 17 | |
| Description | | Caliper Carrier (Right) Front | |
| | Name | Qty. | |
| 1 | T730 | 1 | Caliper Carrier |
| | | | |
| | | | |
| | | | |



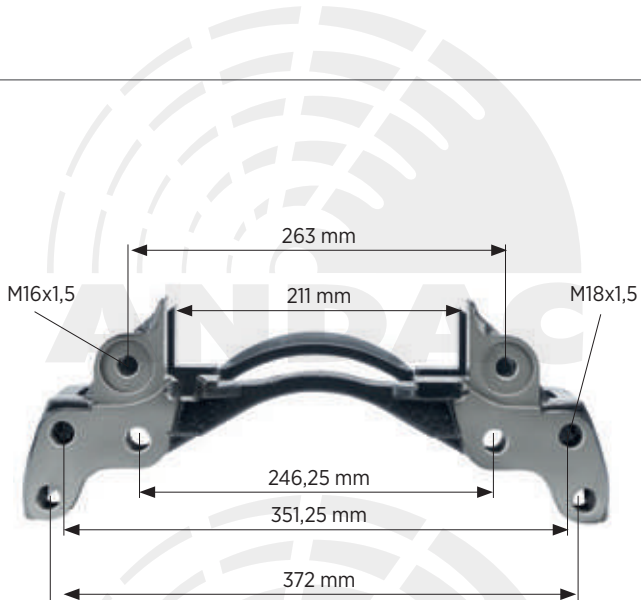
| | | | |
|------------------------|-------------|-----------------------------------|-----------------|
| ANDAC No | | 0810 30286 | |
| OE Reference No | | | |
| Application | | PAN 17 | |
| Description | | Caliper Carrier (Left/Right) Rear | |
| | Name | Qty. | |
| 1 | T728 | 1 | Caliper Carrier |
| | | | |
| | | | |
| | | | |



| | | | |
|------------------------|-------------|--|-----------------|
| ANDAC No | | 0810 30291 | |
| OE Reference No | | 40195044 - 40195046 - 5001865919 - 1407635 - 1628063 | |
| Application | | PAN 19-2 | |
| Description | | Caliper Carrier (Right) | |
| | Name | Qty. | |
| 1 | T733 | 1 | Caliper Carrier |



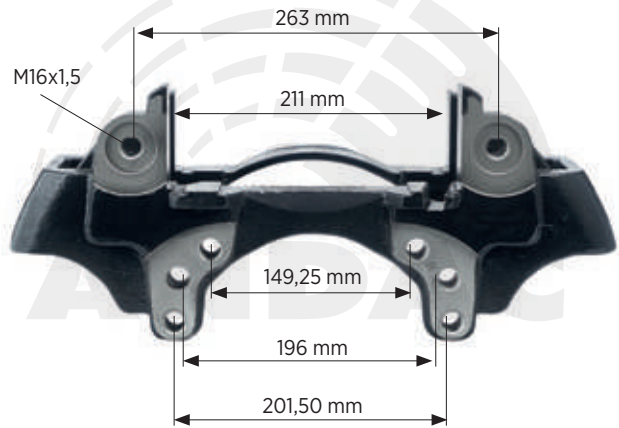
| | | | |
|------------------------|-------------|--|-----------------|
| ANDAC No | | 0810 30292 | |
| OE Reference No | | 40195043 - 40195045 - 5001865918 - 1407634 - 1628062 | |
| Application | | PAN 19-2 | |
| Description | | Caliper Carrier (Left) | |
| | Name | Qty. | |
| 1 | T732 | 1 | Caliper Carrier |



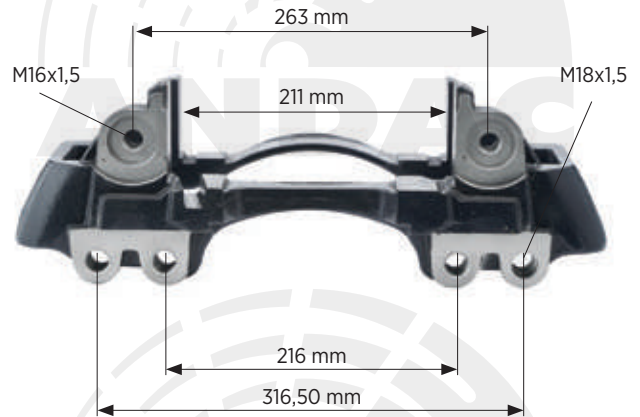
| | | | |
|------------------------|-------------|-------------------------|-----------------|
| ANDAC No | | 0810 30293 | |
| OE Reference No | | 6402250300 - SCB1035094 | |
| Application | | PAN 22-1 | |
| Description | | Caliper Carrier (Left) | |
| | Name | Qty. | |
| 1 | T738 | 1 | Caliper Carrier |



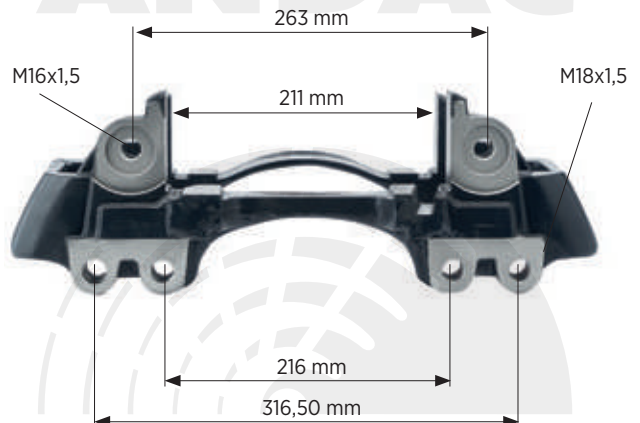
| | | | |
|------------------------|-------------------------|-------------|-----------------|
| ANDAC No | 0810 30294 | | |
| OE Reference No | 6402250310 - SCB1035095 | | |
| Application | PAN 22-1 | | |
| Description | Caliper Carrier (Right) | | |
| | Name | Qty. | |
| 1 | T739 | 1 | Caliper Carrier |
| | | | |
| | | | |
| | | | |



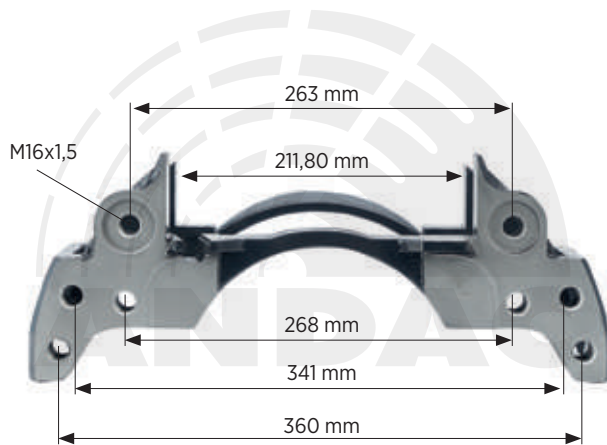
| | | | |
|------------------------|--------------------------|-------------|-----------------|
| ANDAC No | 0810 30296 | | |
| OE Reference No | 6401950680 - 6401950740 | | |
| Application | PAN 22-1 | | |
| Description | Caliper Carrier (Left) | | |
| | Name | Qty. | |
| 1 | T720 | 1 | Caliper Carrier |
| | | | |
| | | | |
| | | | |



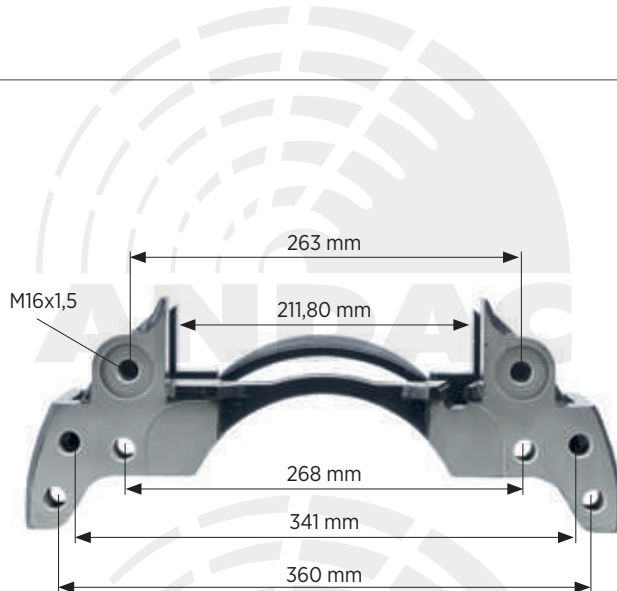
| | | | |
|------------------------|---------------------------|-------------|-----------------|
| ANDAC No | 0810 30297 | | |
| OE Reference No | 6401950690 - 6401950750 | | |
| Application | PAN 22-1 | | |
| Description | Caliper Carrier (Right) | | |
| | Name | Qty. | |
| 1 | T721 | 1 | Caliper Carrier |
| | | | |
| | | | |
| | | | |



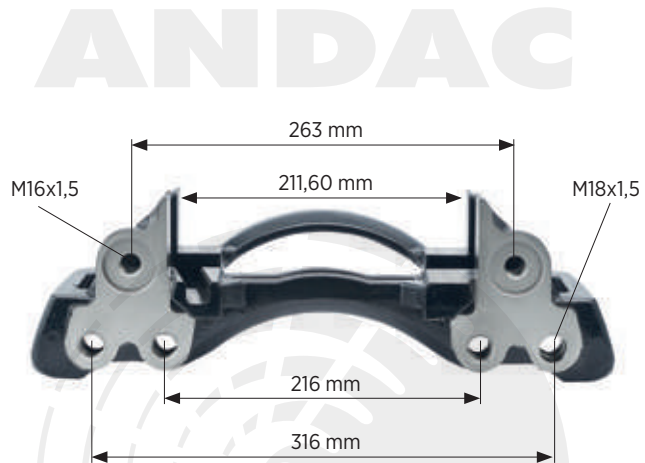
| | | | |
|--------------------|------|--------------------------|-----------------|
| ANDAC No | | 0810 30298 | |
| OE Reference No | | | |
| Application | | PAN 19-1 | |
| Description | | Caliper Carrier (Left) | |
| | Name | Qty. | |
| 1 | T722 | 1 | Caliper Carrier |
| | | | |
| | | | |
| | | | |



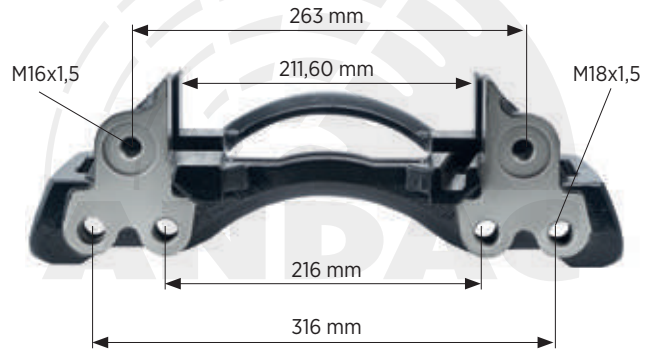
| | | | |
|--------------------|------|---------------------------|-----------------|
| ANDAC No | | 0810 30299 | |
| OE Reference No | | | |
| Application | | PAN 19-1 | |
| Description | | Caliper Carrier (Right) | |
| | Name | Qty. | |
| 1 | T723 | 1 | Caliper Carrier |
| | | | |
| | | | |
| | | | |



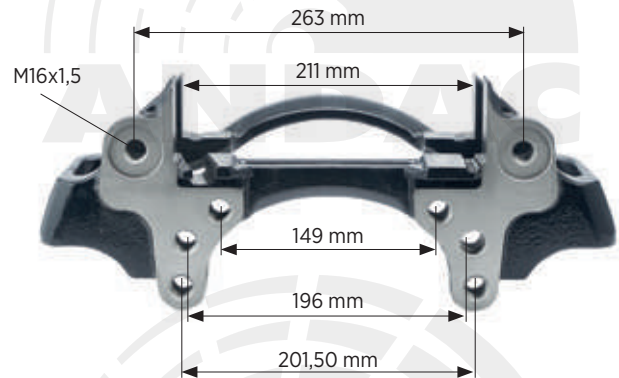
| | | | |
|--------------------|------|--------------------------|-----------------|
| ANDAC No | | 0810 30300 | |
| OE Reference No | | | |
| Application | | PAN 19-1 | |
| Description | | Caliper Carrier (Left) | |
| | Name | Qty. | |
| 1 | T724 | 1 | Caliper Carrier |
| | | | |
| | | | |
| | | | |



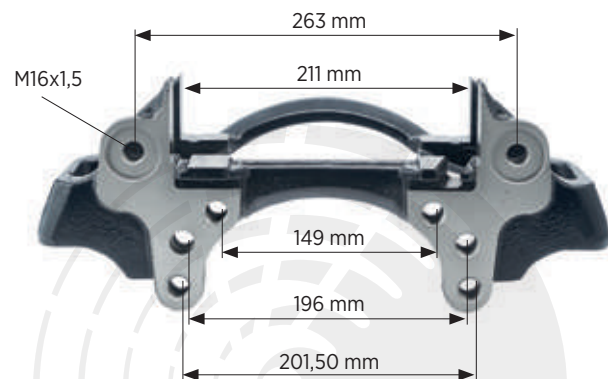
| | | | |
|--------------------|------|-------------------------|-----------------|
| ANDAC No | | 0810 30301 | |
| OE Reference No | | | |
| Application | | PAN 19-1 | |
| Description | | Caliper Carrier (Right) | |
| | Name | Qty. | |
| 1 | T725 | 1 | Caliper Carrier |
| | | | |
| | | | |
| | | | |



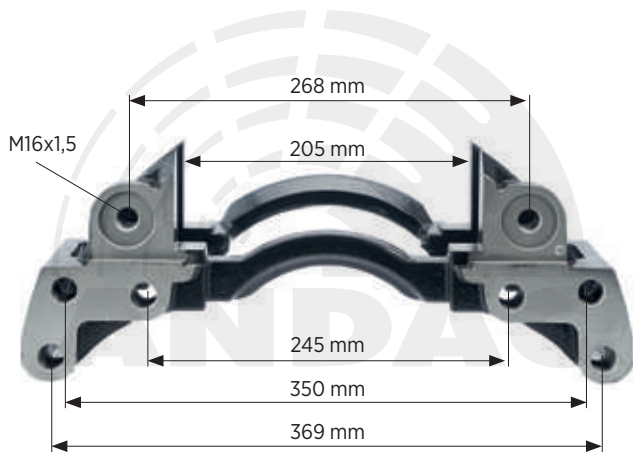
| | | | |
|--------------------|------|------------------------|-----------------|
| ANDAC No | | 0810 30302 | |
| OE Reference No | | | |
| Application | | PAN 19-1 | |
| Description | | Caliper Carrier (Left) | |
| | Name | Qty. | |
| 1 | T726 | 1 | Caliper Carrier |
| | | | |
| | | | |
| | | | |



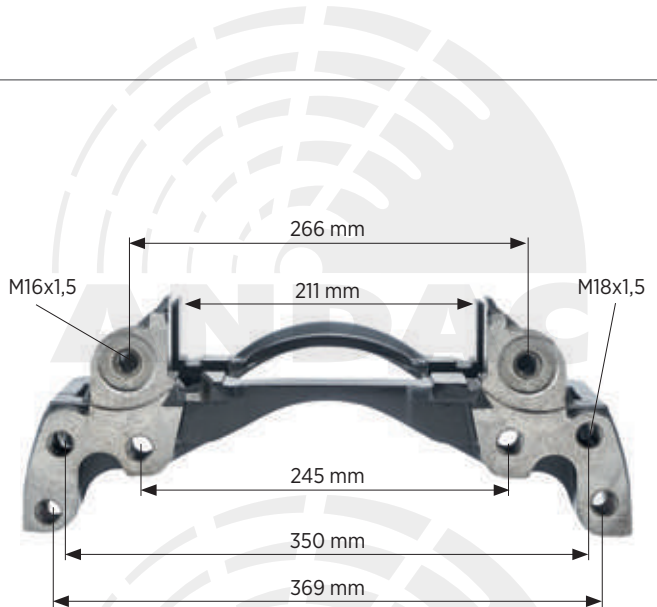
| | | | |
|--------------------|------|-------------------------|-----------------|
| ANDAC No | | 0810 30303 | |
| OE Reference No | | | |
| Application | | PAN 19-1 | |
| Description | | Caliper Carrier (Right) | |
| | Name | Qty. | |
| 1 | T727 | 1 | Caliper Carrier |
| | | | |
| | | | |
| | | | |



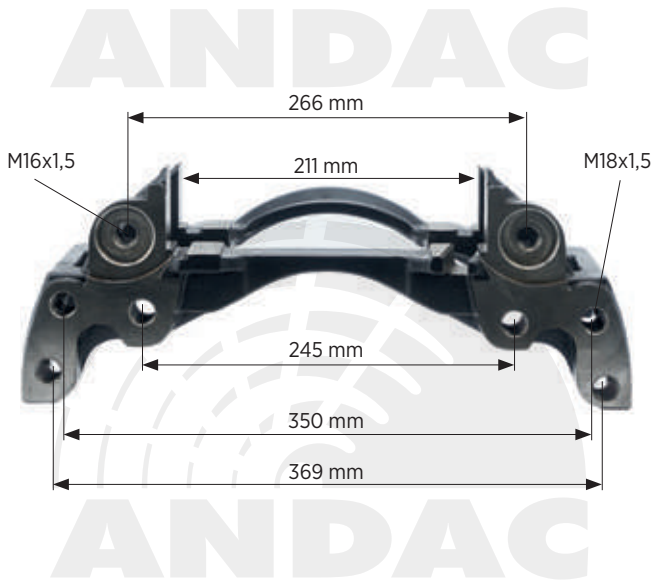
| | | | |
|------------------------|-------------|---|-----------------|
| ANDAC No | | 0810 30304 | |
| OE Reference No | | 40195008 - 40195012 - 40195007 - 40195011 - 1400067 - 1440503 - 1400072 - 1440502 | |
| Application | | PAN 19-2 | |
| Description | | Caliper Carrier | |
| | Name | Qty. | |
| 1 | T731 | 1 | Caliper Carrier |
| | | | |
| | | | |
| | | | |



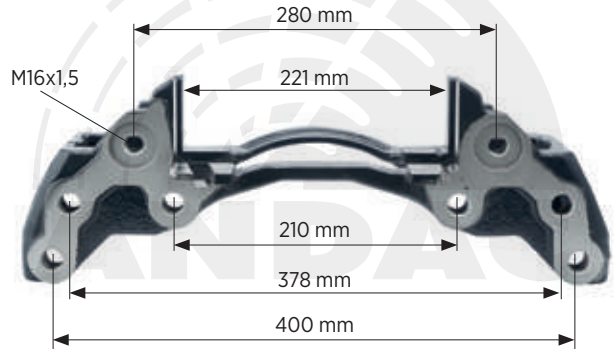
| | | | |
|------------------------|-------------|--------------------------|-----------------|
| ANDAC No | | 0810 30305 | |
| OE Reference No | | 319740 | |
| Application | | MAXX 19 | |
| Description | | Caliper Carrier (Left) | |
| | Name | Qty. | |
| 1 | T734 | 1 | Caliper Carrier |
| | | | |
| | | | |
| | | | |



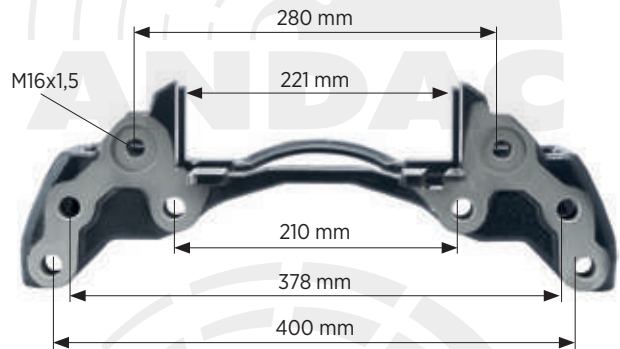
| | | | |
|------------------------|-------------|---------------------------|-----------------|
| ANDAC No | | 0810 30306 | |
| OE Reference No | | 319741 | |
| Application | | MAXX 19 | |
| Description | | Caliper Carrier (Right) | |
| | Name | Qty. | |
| 1 | T735 | 1 | Caliper Carrier |
| | | | |
| | | | |
| | | | |



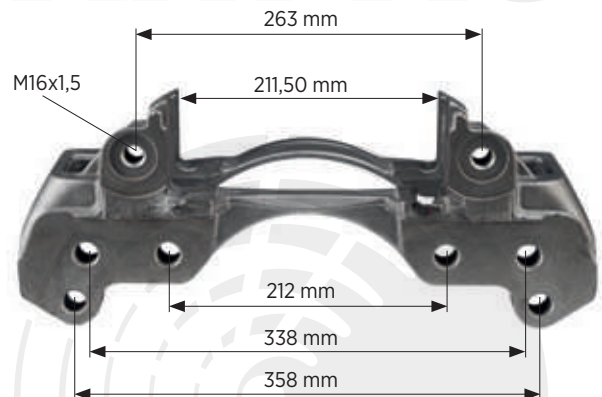
| | | | |
|------------------------|-------------|--------------------------|-----------------|
| ANDAC No | | 0810 30307 | |
| OE Reference No | | 6409157424 - A0004216506 | |
| Application | | MAXX 22 - MB | |
| Description | | Caliper Carrier (Left) | |
| | Name | Qty. | |
| 1 | T736 | 1 | Caliper Carrier |
| | | | |
| | | | |
| | | | |
| | | | |



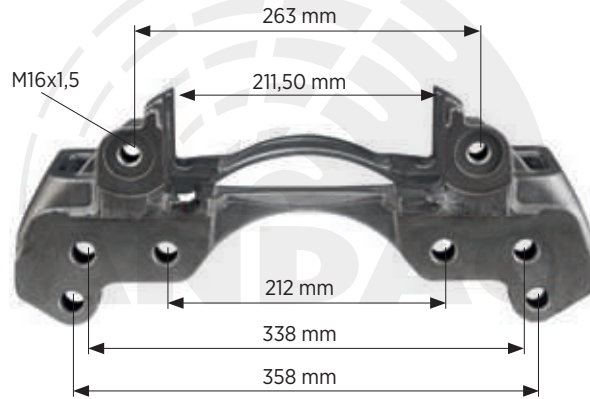
| | | | |
|------------------------|-------------|---------------------------|-----------------|
| ANDAC No | | 0810 30308 | |
| OE Reference No | | 6409157434 - A0004216406 | |
| Application | | MAXX 22 - MB | |
| Description | | Caliper Carrier (Right) | |
| | Name | Qty. | |
| 1 | T873 | 1 | Caliper Carrier |
| | | | |
| | | | |
| | | | |
| | | | |



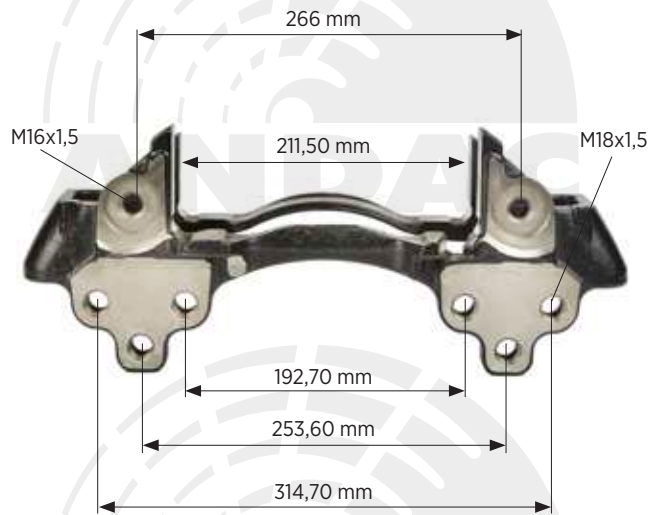
| | | | |
|------------------------|-------------|--------------------------|-----------------|
| ANDAC No | | 0810 30309 | |
| OE Reference No | | 6409137426 | |
| Application | | PAN 22-1 | |
| Description | | Caliper Carrier (Left) | |
| | Name | Qty. | |
| 1 | T741 | 1 | Caliper Carrier |
| | | | |
| | | | |
| | | | |
| | | | |



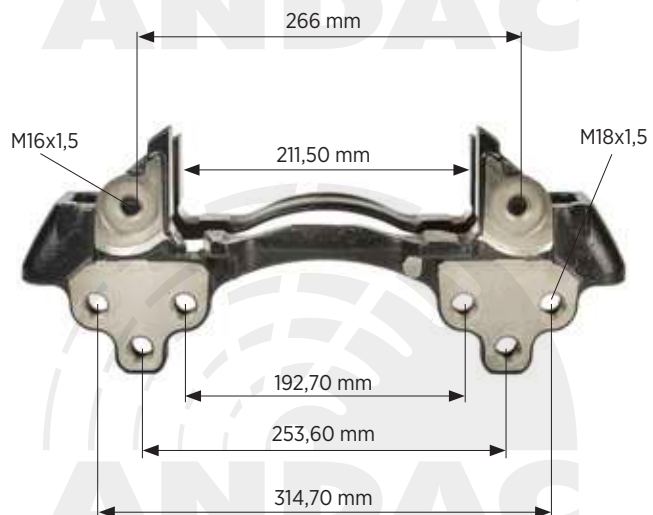
| | | | |
|------------------------|-------------|---------------------------|-----------------|
| ANDAC No | | 0810 30351 | |
| OE Reference No | | 6409137426 | |
| Application | | PAN 22-1 | |
| Description | | Caliper Carrier (Right) | |
| | Name | Qty. | |
| 1 | T741 | 1 | Caliper Carrier |
| | | | |
| | | | |
| | | | |



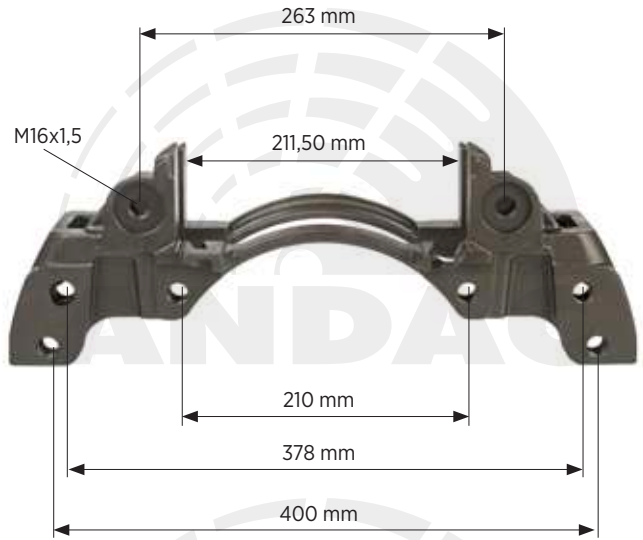
| | | | |
|------------------------|-------------|---------------------------|-----------------|
| ANDAC No | | 0810 30347 | |
| OE Reference No | | 6402220080 | |
| Application | | MAXX22T - HENDRICSSON | |
| Description | | Caliper Carrier (Right) | |
| | Name | Qty. | |
| 1 | T780 | 1 | Caliper Carrier |
| | | | |
| | | | |
| | | | |



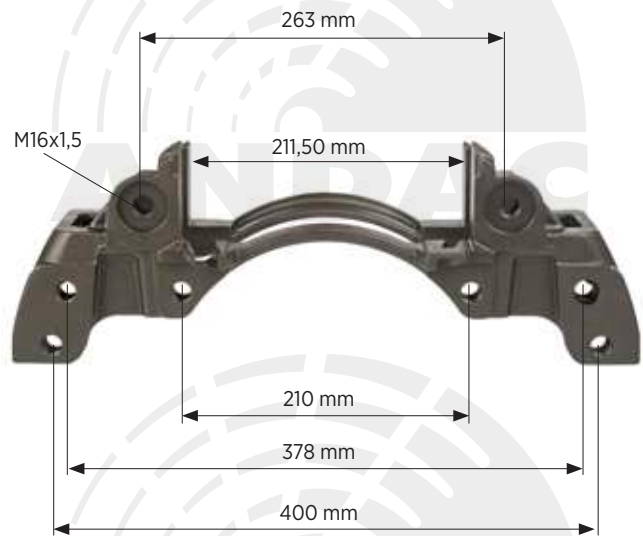
| | | | |
|------------------------|-------------|--------------------------|-----------------|
| ANDAC No | | 0810 30348 | |
| OE Reference No | | 6402220070 | |
| Application | | MAXX22T - HENDRICSSON | |
| Description | | Caliper Carrier (Left) | |
| | Name | Qty. | |
| 1 | T781 | 1 | Caliper Carrier |
| | | | |
| | | | |
| | | | |



| | | | |
|------------------------|-------------|--------------------------|-----------------|
| ANDAC No | | 0810 30349 | |
| OE Reference No | | 6402250320 | |
| Application | | PAN22 | |
| Description | | Caliper Carrier (Left) | |
| | Name | Qty. | |
| 1 | T783 | 1 | Caliper Carrier |
| | | | |
| | | | |
| | | | |



| | | | |
|------------------------|-------------|---------------------------|-----------------|
| ANDAC No | | 0810 30350 | |
| OE Reference No | | 6402250330 | |
| Application | | PAN22 | |
| Description | | Caliper Carrier (Right) | |
| | Name | Qty. | |
| 1 | T784 | 1 | Caliper Carrier |
| | | | |
| | | | |
| | | | |



ECODISC
TSB 3709 4309 4313



| | | | |
|------------------------|-------------|---|--------------------------------|
| ANDAC No | | 0810 70120 | |
| OE Reference No | | | |
| Application | | TSB 3709/4309/4312 | |
| Description | | Caliper Calibration Mechanism Complete (With Pin) | |
| | Name | Qty. | |
| 1 | T387 | 1 | Calibration Mechanism Complete |
| 2 | C7 | 8 | Screw |
| | | | |
| | | | |
| | | | |



| | | | |
|------------------------|-------------|---|--------------------------------|
| ANDAC No | | 0810 70132 | |
| OE Reference No | | | |
| Application | | TSB 3709/4309/4312 | |
| Description | | Caliper Calibration Mechanism Complete (Without Lever - with Pin) | |
| | Name | Qty. | |
| 1 | T567 | 1 | Calibration Mechanism Complete |
| 2 | C7 | 8 | Screw |
| | | | |
| | | | |
| | | | |



| | | | |
|------------------------|-------------|---|--------------------------------|
| ANDAC No | | 0810 70134 | |
| OE Reference No | | | |
| Application | | TSB 3709/4309/4312 | |
| Description | | Caliper Calibration Mechanism Complete (With Pin) | |
| | Name | Qty. | |
| 1 | T569 | 1 | Calibration Mechanism Complete |
| 2 | C7 | 8 | Screw |
| | | | |
| | | | |
| | | | |



ECODISC TSB 3709 4309 4312

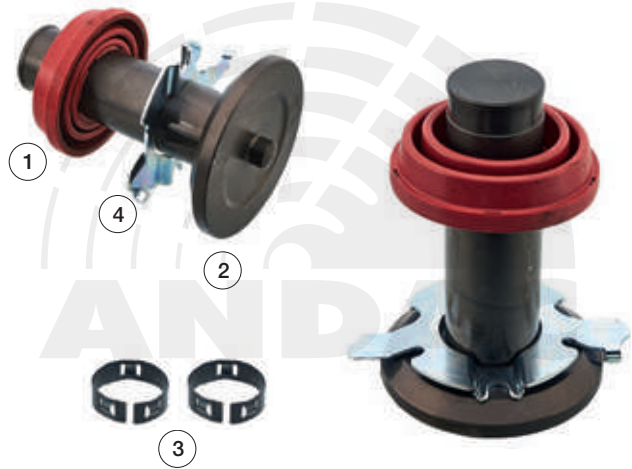
| | | | |
|------------------------|-------------|---|--------------------------------|
| ANDAC No | | 0810 70135 | |
| OE Reference No | | | |
| Application | | TSB 3709/4309/4312 | |
| Description | | Caliper Calibration Mechanism Complete (Without Lever - with Pin) | |
| | Name | Qty. | |
| 1 | T570 | 1 | Calibration Mechanism Complete |
| 2 | C7 | 8 | Screw |



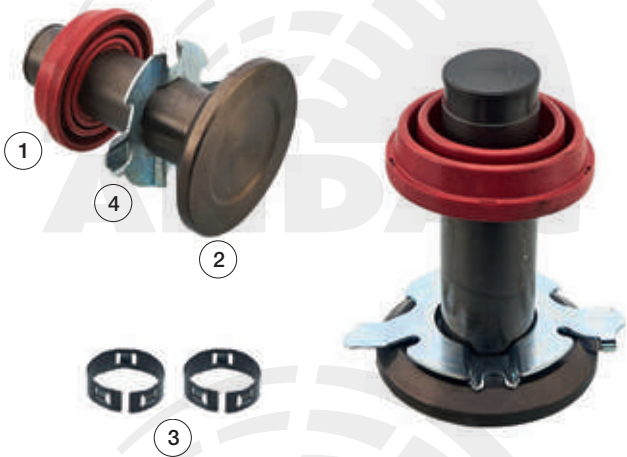
| | | | |
|------------------------|-------------|-----------------------------|--------------------------------|
| ANDAC No | | 0810 70908 | |
| OE Reference No | | | |
| Application | | TSB 4309/4312 | |
| Description | | Caliper Overhaul Repair Kit | |
| | Name | Qty. | |
| 1 | T387 | 1 | Calibration Mechanism Complete |
| 2 | C7 | 8 | Screw |
| 3 | T291 | 1 | Guide Pin Ø37x123mm |
| 4 | C61 | 1 | Screw M16x1.5x100mm |
| 5 | T292 | 1 | Guide Pin Ø36x70mm |
| 6 | C8 | 1 | Screw M16x1.5x70mm |
| 7 | K125 | 2 | Boot |
| 8 | P47 | 2 | Plastic Ring |
| 9 | P54 | 2 | Cover |
| 10 | K128 | 2 | O-Ring |
| 11 | K132 | 1 | Rubber Tap |
| 12 | B38 | 1 | Bush |
| 13 | B39 | 1 | Bush |
| 14 | SK11 | 1 | Pin Ring |
| 15 | K144 | 1 | O-Ring |
| 16 | S119 | 2 | Metal Cover |
| 17 | T289 | 1 | Gear |
| 18 | B40 | 1 | Bush |
| 19 | Y51 | 1 | Spring |
| 20 | K130 | 1 | Seal |
| 21 | S108 | 1 | Washer |
| 22 | SK18 | 1 | Snap Ring |
| 23 | S111 | 1 | Pad Retainer |
| 24 | T385 | 1 | Detent Pin |
| 25 | S18 | 1 | Washer |
| 26 | S19 | 1 | Cotter Pin |
| 27 | S163 | 1 | Pad Retention Spring |



| | | | |
|------------------------|---|-------------|--------------|
| ANDAC No | 0810 70101 | | |
| OE Reference No | 09.801.07.63.1 | | |
| Application | TSB 3709/4309/4312 | | |
| Description | Caliper Tappet and Boot Repair Kit (With Pin) | | |
| | Name | Qty. | |
| 1 | K126 | 2 | Tappet Boot |
| 2 | T287 | 2 | Tappet |
| 3 | S109 | 2 | Clamp |
| 4 | S110 | 2 | Locking Shim |



| | | | |
|------------------------|--|-------------|--------------|
| ANDAC No | 0810 70131 | | |
| OE Reference No | 09.801.07.63.0 | | |
| Application | TSB 3709/4309/4312 | | |
| Description | Caliper Tappet and Boot Repair Kit (Without Pin) | | |
| | Name | Qty. | |
| 1 | K126 | 2 | Tappet Boot |
| 2 | T565 | 2 | Tappet |
| 3 | S109 | 2 | Clamp |
| 4 | S110 | 2 | Locking Shim |



| | | | |
|------------------------|--------------------|-------------|---------------------|
| ANDAC No | 0810 70102 | | |
| OE Reference No | | | |
| Application | TSB 3709/4309/4312 | | |
| Description | Caliper Repair Kit | | |
| | Name | Qty. | |
| 1 | T291 | 1 | Guide Pin Ø37x123mm |
| 2 | C61 | 1 | Screw M16x1.5x100mm |
| 3 | T292 | 1 | Guide Pin Ø36x70mm |
| 4 | C8 | 1 | Screw M16x1.5x70mm |
| 5 | K125 | 2 | Boot |
| 6 | P47 | 2 | Plastic Ring |
| 7 | P54 | 2 | Cover |
| 8 | K128 | 2 | O-Ring |
| 9 | K132 | 1 | Rubber Tap |
| 10 | B38 | 1 | Bush |
| 11 | B39 | 1 | Bush |
| 12 | SK11 | 1 | Pin Ring |
| 13 | K144 | 1 | O-Ring |



ECODISC TSB 3709 4309 4312

| ANDAC No | | 0810 70103 | |
|-----------------|------|---------------------|--|
| OE Reference No | | | |
| Application | | TSB 3709/4309/4312 | |
| Description | | Caliper Repair Kit | |
| Name | Qty. | | |
| 1 T291 | 1 | Guide Pin Ø37x123mm | |
| 2 C61 | 1 | Screw M16x1.5x100mm | |
| 3 T292 | 1 | Guide Pin Ø36x70mm | |
| 4 C8 | 1 | Screw M16x1.5x70mm | |
| 5 P54 | 2 | Cover | |
| 6 K128 | 2 | O-Ring | |
| 7 B38 | 1 | Bush | |
| 8 B39 | 1 | Bush | |
| 9 SK11 | 1 | Pin Ring | |



| ANDAC No | | 0810 70119 | |
|-----------------|------|---------------------|--|
| OE Reference No | | 09.801.07.61.0 | |
| Application | | TSB 3709/4309/4312 | |
| Description | | Caliper Repair Kit | |
| Name | Qty. | | |
| 1 T291 | 1 | Guide Pin Ø37x123mm | |
| 2 C61 | 1 | Screw M16x1.5x100mm | |
| 3 T292 | 1 | Guide Pin Ø36x70mm | |
| 4 C8 | 1 | Screw M16x1.5x70mm | |
| 5 B38 | 1 | Bush | |
| 6 B39 | 1 | Bush | |
| 7 SK11 | 1 | Pin Ring | |



| ANDAC No | | 0810 70104 | |
|-----------------|------|---------------------|--|
| OE Reference No | | 09.801.05.81.0 | |
| Application | | TSB 3709/4309/4312 | |
| Description | | Caliper Repair Kit | |
| Name | Qty. | | |
| 1 T291 | 1 | Guide Pin Ø37x123mm | |
| 2 C61 | 1 | Screw M16x1.5x100mm | |
| 3 T292 | 1 | Guide Pin Ø36x70mm | |
| 4 C8 | 1 | Screw M16x1.5x70mm | |
| 5 P47 | 2 | Plastic Ring | |
| 6 S111 | 1 | Pad Retainer | |
| 7 SK11 | 1 | Pin Ring | |



| | | |
|------------------------|--------------------|----------------|
| ANDAC No | 0810 70121 | |
| OE Reference No | 09.801.07.62.0 | |
| Application | TSB 3709/4309/4312 | |
| Description | Caliper Repair Kit | |
| | Name | Qty. |
| 1 | K125 | 2 Boot |
| 2 | P47 | 2 Plastic Ring |
| 3 | P54 | 2 Cover |
| 4 | K128 | 2 O-Ring |
| 5 | K132 | 1 Rubber Tap |
| 6 | K144 | 1 O-Ring |



| | | |
|------------------------|--------------------|----------------|
| ANDAC No | 0810 70105 | |
| OE Reference No | | |
| Application | TSB 3709/4309/4312 | |
| Description | Caliper Repair Kit | |
| | Name | Qty. |
| 1 | K125 | 2 Boot |
| 2 | P47 | 2 Plastic Ring |
| 3 | P54 | 2 Cover |
| 4 | K128 | 2 O-Ring |
| 5 | K132 | 1 Rubber Tap |
| 6 | B38 | 1 Bush |
| 7 | B39 | 1 Bush |
| 8 | K144 | 1 O-Ring |

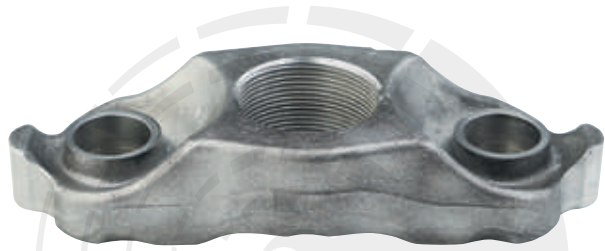


| | | |
|------------------------|---------------------------|---------------------|
| ANDAC No | 0810 70106 | |
| OE Reference No | | |
| Application | TSB 3709/4309/4312 | |
| Description | Caliper Calibration Cover | |
| | Name | Qty. |
| 1 | T293 | 1 Calibration Cover |
| 2 | C7 | 8 Screw M8x16mm |
| 3 | SK12 | 1 Snap Ring |



ECODISC TSB 3709 4309 4312

| | | | |
|--------------------|------|--------------------|--------|
| ANDAC No | | 0810 70107 | |
| OE Reference No | | | |
| Application | | TSB 3709/4309/4312 | |
| Description | | Caliper Bridge | |
| | Name | Qty. | |
| 1 | T274 | 1 | Bridge |
| | | | |
| | | | |



| | | | |
|--------------------|------|------------------------|----------------|
| ANDAC No | | 0810 70108 | |
| OE Reference No | | | |
| Application | | TSB 3709/4309/4312 | |
| Description | | Caliper Mechanism Gear | |
| | Name | Qty. | |
| 1 | T264 | 1 | Mechanism Gear |
| | | | |
| | | | |



| | | | |
|--------------------|------|--------------------------|--------|
| ANDAC No | | 0810 70109 | |
| OE Reference No | | | |
| Application | | TSB 3709/4309/4312 | |
| Description | | Caliper Mechanism Washer | |
| | Name | Qty. | |
| 1 | S112 | 1 | Washer |
| | | | |
| | | | |



| | | | |
|--------------------|------|-------------------------|-----------------|
| ANDAC No | | 0810 70110 | |
| OE Reference No | | | |
| Application | | TSB 3709/4309/4312 | |
| Description | | Caliper Bearing Housing | |
| | Name | Qty. | |
| 1 | T272 | 1 | Bearing Housing |
| 2 | Y52 | 2 | Spring |
| | | | |
| | | | |



| | | |
|------------------------|---------------------------|-------------|
| ANDAC No | 0810 70111 | |
| OE Reference No | | |
| Application | TSB 3709/4309/4312 | |
| Description | Caliper Mechanism Housing | |
| | Name | Qty. |
| 1 | T273 | 1 |
| | Mechanism Housing | |
| | | |
| | | |



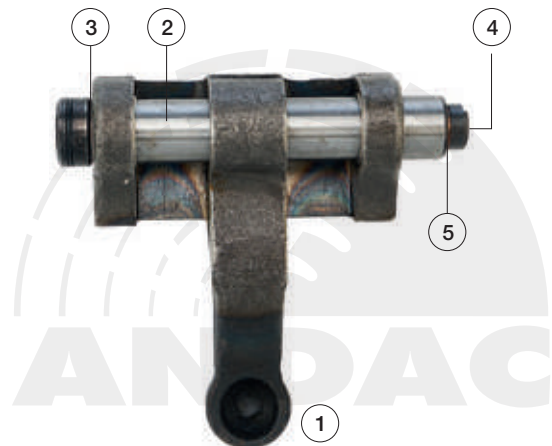
| | | |
|------------------------|---------------------------|-------------|
| ANDAC No | 0810 70128 | |
| OE Reference No | | |
| Application | TSB 3709/4309/4312 | |
| Description | Caliper Mechanism Housing | |
| | Name | Qty. |
| 1 | T490 | 1 |
| | Mechanism Housing | |
| | | |
| | | |



| | | |
|------------------------|-------------------------|-------------|
| ANDAC No | 0810 70112 | |
| OE Reference No | | |
| Application | TSB /4309/4312 | |
| Description | Caliper Bearing Housing | |
| | Name | Qty. |
| 1 | T295 | 1 |
| 2 | R23 | 1 |
| | Bearing Housing | |
| | Bearing | |
| | | |
| | | |



| | | |
|------------------------|--------------------|-------------|
| ANDAC No | 0810 70113 | |
| OE Reference No | | |
| Application | TSB 3709/4309/4312 | |
| Description | Caliper Lever | |
| | Name | Qty. |
| 1 | T288 | 1 |
| 2 | T294 | 1 |
| 3 | K129 | 1 |
| 4 | C7 | 1 |
| 5 | S115 | 1 |
| | Lever | |
| | Lever Pin | |
| | O-Ring | |
| | Screw | |
| | Washer | |



ECODISC TSB 3709 4309 4312

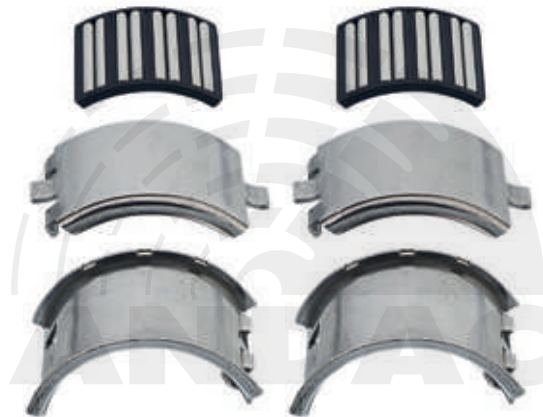
| | | | |
|-----------------|------|-----------------------|-----------|
| ANDAC No | | 0810 70125 | |
| OE Reference No | | | |
| Application | | TSB 3709/4309/4312 | |
| Description | | Caliper Lever Pin Kit | |
| | Name | Qty. | |
| 1 | T294 | 1 | Lever Pin |
| 2 | K129 | 1 | O-Ring |
| 3 | C7 | 1 | Screw |
| 4 | S115 | 1 | Washer |



| | | | |
|-----------------|------|------------------------|----------------|
| ANDAC No | | 0810 70114 | |
| OE Reference No | | | |
| Application | | TSB 3709/4309/4312 | |
| Description | | Caliper Roller Bearing | |
| | Name | Qty. | |
| 1 | R25 | 2 | Roller Bearing |



| | | | |
|-----------------|------|------------------------|----------------|
| ANDAC No | | 0810 70115 | |
| OE Reference No | | | |
| Application | | TSB 3709/4309/4312 | |
| Description | | Caliper Roller Bearing | |
| | Name | Qty. | |
| 1 | R26 | 2 | Roller Bearing |



| | | | |
|-----------------|------|--------------------|--------------|
| ANDAC No | | 0810 70123 | |
| OE Reference No | | | |
| Application | | TSB 3709/4309/4312 | |
| Description | | Caliper Ring Kit | |
| | Name | Qty. | |
| 1 | P47 | 5 | Plastic Ring |



| | | |
|------------------------|--------------------|----------------|
| ANDAC No | 0810 70124 | |
| OE Reference No | 09.801.07.87.0 | |
| Application | TSB 3709/4309/4312 | |
| Description | Caliper Ring Kit | |
| | Name | Qty. |
| 1 | P47 | 2 Plastic Ring |
| 2 | P54 | 2 Cover |
| 3 | K128 | 2 O-Ring |



| | | |
|------------------------|----------------------|-------------|
| ANDAC No | 0810 70116 | |
| OE Reference No | | |
| Application | TSB 3709/4309/4312 | |
| Description | Caliper Adjuster Kit | |
| | Name | Qty. |
| 1 | T289 | 1 Gear |
| 2 | B40 | 1 Bush |
| 3 | Y51 | 1 Spring |
| 4 | K130 | 1 Seal |
| 5 | S108 | 1 Washer |
| 6 | SK18 | 1 Snap Ring |

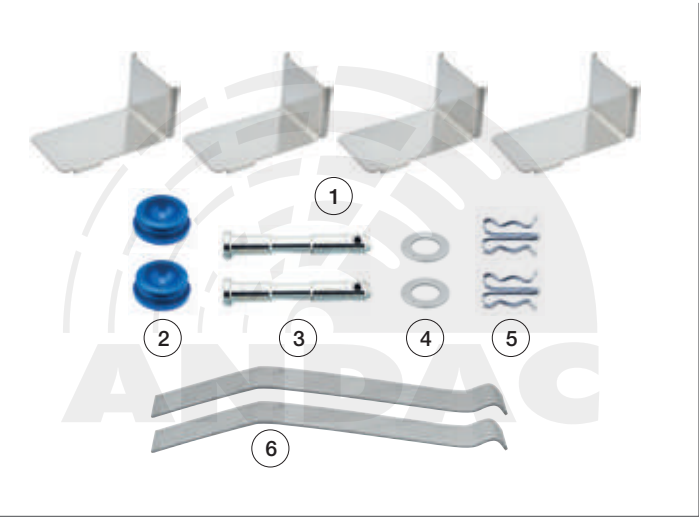


| | | |
|------------------------|--------------------------|------------------------|
| ANDAC No | 0810 70122 | |
| OE Reference No | 09.801.07.68.1 | |
| Application | TSB 3709/4309/4312 | |
| Description | Caliper Pad Retainer Kit | |
| | Name | Qty. |
| 1 | S111 | 1 Pad Retainer |
| 2 | T385 | 1 Detent Pin |
| 3 | S18 | 1 Washer |
| 4 | S19 | 1 Cotter Pin |
| 5 | S163 | 1 Pad Retention Spring |

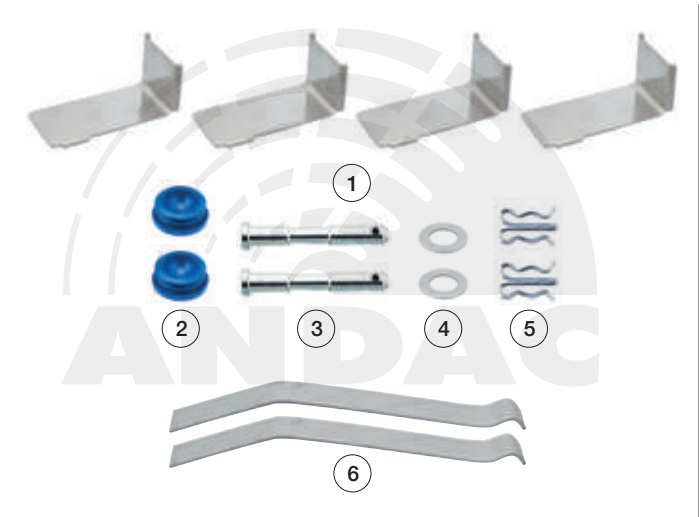


ECODISC TSB 3709 4309 4312

| | | | |
|------------------------|--------------------------|------|----------------------|
| ANDAC No | 0810 70139 | | |
| OE Reference No | WVA 29227 | | |
| Application | TSB 3709 | | |
| Description | Caliper Pad Retainer Kit | | |
| | Name | Qty. | |
| 1 | S223 | 4 | Pad Retainer (63mm) |
| 2 | K132 | 2 | Rubber Tap |
| 3 | T385 | 2 | Detent Pin |
| 4 | S18 | 2 | Washer |
| 5 | S19 | 2 | Cotter Pin |
| 6 | S163 | 2 | Pad Retention Spring |



| | | | |
|------------------------|--------------------------|------|----------------------|
| ANDAC No | 0810 70140 | | |
| OE Reference No | WVA 29228 | | |
| Application | TSB 4309/4312 | | |
| Description | Caliper Pad Retainer Kit | | |
| | Name | Qty. | |
| 1 | S224 | 4 | Pad Retainer (75mm) |
| 2 | K132 | 2 | Rubber Tap |
| 3 | T385 | 2 | Detent Pin |
| 4 | S18 | 2 | Washer |
| 5 | S19 | 2 | Cotter Pin |
| 6 | S163 | 2 | Pad Retention Spring |



| | | | |
|------------------------|--------------------|------|-------------|
| ANDAC No | 0810 70117 | | |
| OE Reference No | | | |
| Application | TSB 3709/4309/4312 | | |
| Description | Caliper Side Cover | | |
| | Name | Qty. | |
| 1 | S119 | 5 | Metal Cover |



| | | | |
|------------------------|-----------------------|------|-----------|
| ANDAC No | 0810 70118 | | |
| OE Reference No | 09.801.07.87.0 | | |
| Application | TSB 3709/4309/4312 | | |
| Description | Caliper Snap Ring Kit | | |
| | Name | Qty. | |
| 1 | SK12 | 5 | Snap Ring |





**HALDEX
MARK III - IV**



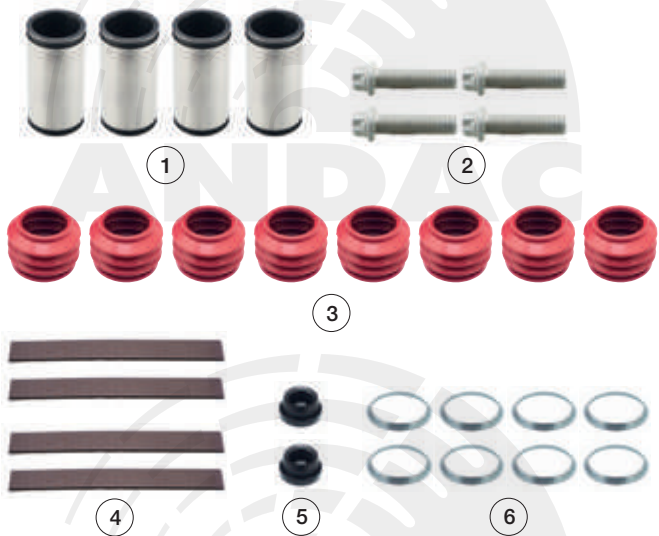
HALDEX
MARK III - IV

▶ HALDEX MARK III - IV

| | | |
|------------------------|--------------------|------|
| ANDAC No | 0810 60166 | |
| OE Reference No | 89541 | |
| Application | MARK III MARK IV | |
| Description | Caliper Repair Kit | |
| | Name | Qty. |
| 1 | T631 | 4 |
| 2 | C74 | 4 |
| 3 | S227 | 2 |
| 4 | S100 | 4 |
| 5 | K122 | 8 |
| 6 | P50 | 4 |
| 7 | K123 | 2 |
| 8 | S228 | 8 |



| | | |
|------------------------|--------------------|------|
| ANDAC No | 0810 60167 | |
| OE Reference No | 91014 | |
| Application | MARK III MARK IV | |
| Description | Caliper Repair Kit | |
| | Name | Qty. |
| 1 | T631 | 4 |
| 2 | C74 | 4 |
| 3 | K122 | 8 |
| 4 | P50 | 4 |
| 5 | K123 | 2 |
| 6 | S228 | 8 |



| | | |
|------------------------|--------------------|------|
| ANDAC No | 0810 60160 | |
| OE Reference No | 87405 | |
| Application | MARK III | |
| Description | Caliper Repair Kit | |
| | Name | Qty. |
| 1 | K70 | 2 |
| 2 | S202 | 2 |
| 3 | K123 | 2 |
| 4 | SK24 | 2 |
| 5 | C108 | 2 |
| 6 | K167 | 2 |
| 7 | P62 | 2 |



HALDEX MARK III - IV

| ANDAC No | | 0810 60164 | |
|-----------------|------|--------------------|--|
| OE Reference No | | 94663 - 3434385200 | |
| Application | | MARK III | |
| Description | | Caliper Repair Kit | |
| Name | Qty. | | |
| 1 K70 | 2 | Tappet Boot (78mm) | |
| 2 K124 | 2 | Rubber Tap | |
| 3 K123 | 2 | Rubber Tap | |
| 4 SK24 | 2 | Snap Ring | |
| 5 C108 | 2 | Screw | |
| 6 K167 | 2 | O-Ring | |
| 7 P62 | 2 | Plug | |



| ANDAC No | | 0810 60169 | |
|-----------------|------|--------------------|--|
| OE Reference No | | 87408 | |
| Application | | MARK III MARK IV | |
| Description | | Caliper Repair Kit | |
| Name | Qty. | | |
| 1 P62 | 2 | Plug | |
| 2 K167 | 2 | O-Ring | |
| 3 C108 | 2 | Screw | |
| 4 K123 | 2 | Rubber Tap | |



| ANDAC No | | 0810 60170 | |
|-----------------|------|--------------------|--|
| OE Reference No | | 89925 | |
| Application | | MARK III | |
| Description | | Caliper Repair Kit | |
| Name | Qty. | | |
| 1 K124 | 2 | Rubber Tap | |
| 2 K123 | 2 | Rubber Tap | |



HALDEX MARK III - IV

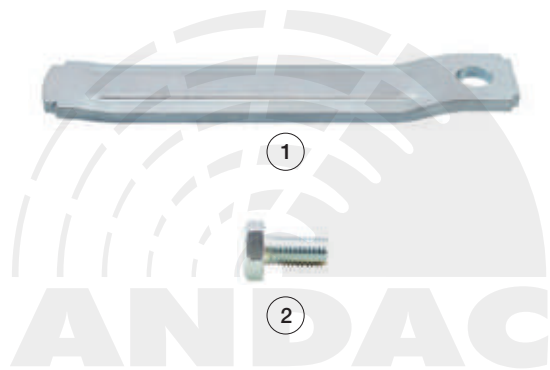
| | | | |
|------------------------|-------------|--------------------|-----------|
| ANDAC No | | 0810 60168 | |
| OE Reference No | | 89927 | |
| Application | | MARK IV | |
| Description | | Caliper Repair Kit | |
| | Name | Qty. | |
| 1 | S227 | 2 | Metal Tap |
| | | | |
| | | | |



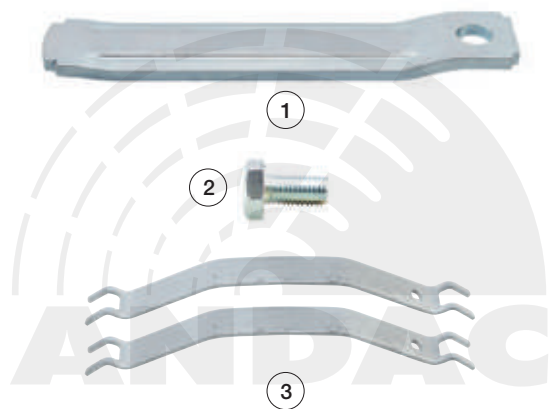
| | | | |
|------------------------|-------------|------------------------|----------------|
| ANDAC No | | 0810 60201 | |
| OE Reference No | | | |
| Application | | MARK IV | |
| Description | | Caliper Roller Bearing | |
| | Name | Qty. | |
| 1 | R38 | 1 | Roller Bearing |
| | | | |
| | | | |



| | | | |
|------------------------|-------------|----------------------|--------------------|
| ANDAC No | | 0810 60122 | |
| OE Reference No | | 90673 | |
| Application | | MARK III MARK IV | |
| Description | | Caliper Pad Retainer | |
| | Name | Qty. | |
| 1 | S102 | 1 | Pad Retainer |
| 2 | C57 | 1 | Screw M10x1.5x20mm |
| | | | |
| | | | |



| | | | |
|------------------------|-------------|----------------------|--------------------|
| ANDAC No | | 0810 60202 | |
| OE Reference No | | 91216 | |
| Application | | MARK III MARK IV | |
| Description | | Caliper Pad Retainer | |
| | Name | Qty. | |
| 1 | S102 | 1 | Pad Retainer |
| 2 | C57 | 1 | Screw M10x1.5x20mm |
| 3 | S233 | 2 | Retention Spring |
| | | | |
| | | | |



HALDEX
MODUL X



| | | | |
|------------------------|-------------|------------------------------------|------------------------------|
| ANDAC No | | 0810 60101 | |
| OE Reference No | | | |
| Application | | MODUL X GEN 2 | |
| Description | | Caliper Overhaul Repair Kit | |
| | Name | Qty. | |
| 1 | T278 | 4 | Guide Pin Ø35x63mm |
| 2 | C56 | 4 | Screw M14x2x42mm |
| 3 | S105 | 2 | Metal Tap |
| 4 | S100 | 2 | Metal Cap |
| 5 | K122 | 8 | Boot |
| 6 | P50 | 4 | Teflon Bush |
| 7 | K123 | 1 | Rubber Tap |
| 8 | T290 | 1 | Adjusting Mechanism Complete |
| 9 | T282 | 1 | Adjuster bolt |
| 10 | C58 | 4 | Screw M8x1.25x30mm |
| 11 | K124 | 1 | Seal |



| | | | |
|------------------------|-------------|-----------------------------------|------------------------------|
| ANDAC No | | 0810 60102 | |
| OE Reference No | | | |
| Application | | MODUL X GEN 2 | |
| Description | | Caliper Mechanism Complete | |
| | Name | Qty. | |
| 1 | T290 | 1 | Adjusting Mechanism Complete |
| 2 | T282 | 1 | Adjuster bolt |
| 3 | C58 | 4 | Screw M8x1.25x30mm |
| 4 | K124 | 1 | Seal |
| 5 | K123 | 1 | Rubber Tap |

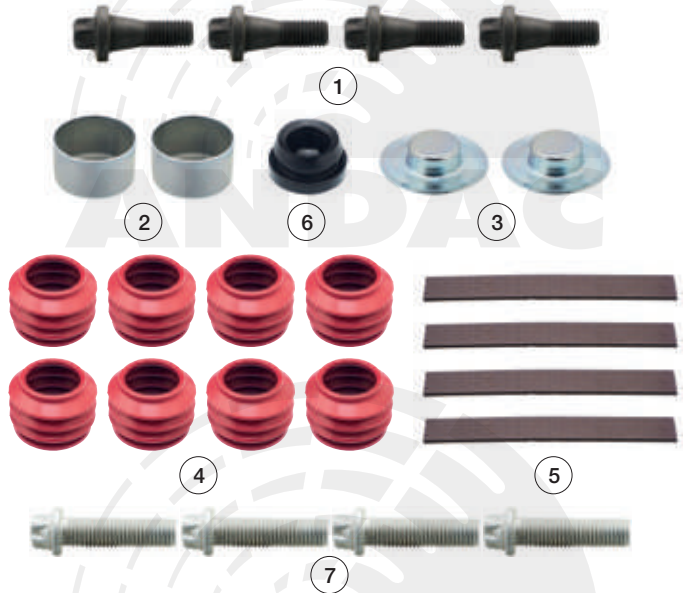


HALDEX MODUL X

| ANDAC No | | 0810 60103 |
|-----------------|------|-----------------------------|
| OE Reference No | | 93299 - 790-95697 |
| Application | | MODUL X GEN 2 |
| Description | | Caliper Overhaul Repair Kit |
| Name | Qty. | |
| 1 T278 | 4 | Guide Pin Ø35x63mm |
| 2 C56 | 4 | Screw M14x2x42mm |
| 3 S105 | 2 | Metal Tap |
| 4 S100 | 2 | Metal Cap |
| 5 K122 | 8 | Boot |
| 6 P50 | 4 | Teflon Bush |
| 7 K123 | 1 | Rubber Tap |



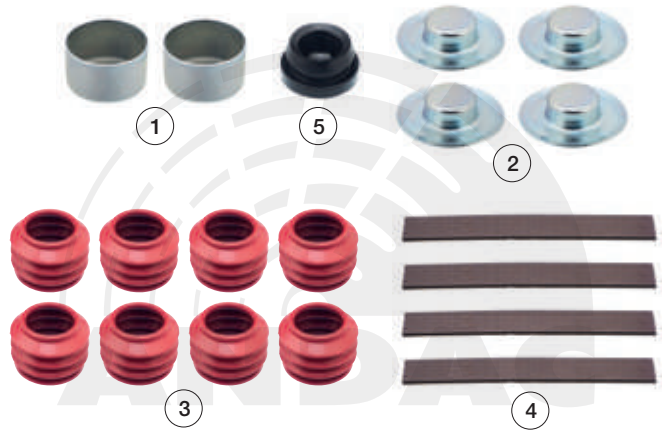
| ANDAC No | | 0810 60211 |
|-----------------|------|--------------------|
| OE Reference No | | 94660 |
| Application | | MODUL X GEN1 GEN 2 |
| Description | | Caliper Repair Kit |
| Name | Qty. | |
| 1 C56 | 4 | Screw M14x2x42mm |
| 2 S105 | 2 | Metal Tap |
| 3 S100 | 2 | Metal Cap |
| 4 K122 | 8 | Boot |
| 5 P50 | 4 | Teflon Bush |
| 6 K123 | 1 | Rubber Tap |
| 7 C74 | 4 | Screw M14x2x53mm |



| ANDAC No | | 0810 60104 |
|-----------------|------|-----------------------------|
| OE Reference No | | |
| Application | | MODUL X GEN 2 |
| Description | | Caliper Overhaul Repair Kit |
| Name | Qty. | |
| 1 S105 | 2 | Metal Tap |
| 2 S100 | 2 | Metal Cap |
| 3 K122 | 8 | Boot |
| 4 P50 | 4 | Teflon Bush |
| 5 K123 | 1 | Rubber Tap |



| | | |
|------------------------|-----------------------------|---------------|
| ANDAC No | 0810 60905 | |
| OE Reference No | 91013 | |
| Application | MODUL X GEN 1 GEN 2 | |
| Description | Caliper Overhaul Repair Kit | |
| | Name | Qty. |
| 1 | S105 | 2 Metal Tap |
| 2 | S100 | 4 Metal Cap |
| 3 | K122 | 8 Boot |
| 4 | P50 | 4 Teflon Bush |
| 5 | K123 | 1 Rubber Tap |



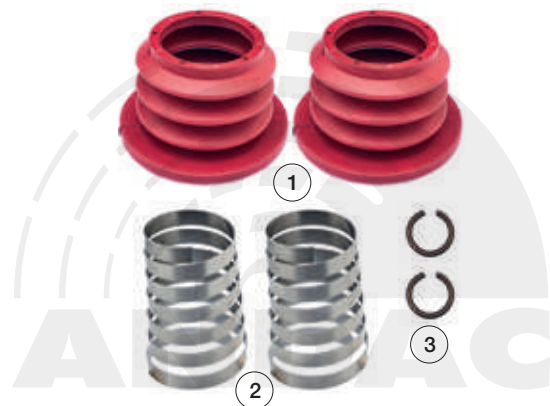
| | | |
|------------------------|---------------------|---------------|
| ANDAC No | 0810 60105 | |
| OE Reference No | 91014 | |
| Application | MODUL X GEN 1 GEN 2 | |
| Description | Caliper Repair Kit | |
| | Name | Qty. |
| 1 | S105 | 2 Metal Tap |
| 2 | S100 | 2 Metal Cap |
| 3 | K122 | 2 Boot |
| 4 | P50 | 1 Teflon Bush |
| 5 | K123 | 1 Rubber Tap |



| | | |
|------------------------|---------------------|----------------------|
| ANDAC No | 0810 60106 | |
| OE Reference No | 90673 | |
| Application | MODUL X GEN 1 GEN 2 | |
| Description | Caliper Repair Kit | |
| | Name | Qty. |
| 1 | K121 | 2 Tappet Boot (67mm) |
| 2 | K123 | 1 Rubber Tap |
| 3 | S101 | 2 Spring |



| | | |
|------------------------|---------------------|----------------------|
| ANDAC No | 0810 60915 | |
| OE Reference No | 91216 | |
| Application | MODUL X GEN 1 GEN 2 | |
| Description | Caliper Repair Kit | |
| | Name | Qty. |
| 1 | K121 | 2 Tappet Boot (67mm) |
| 2 | S101 | 2 Spring |
| 3 | SK24 | 2 Snap Ring |



HALDEX MODUL X

| | | |
|------------------------|--------------------|----------------------|
| ANDAC No | 0810 60918 | |
| OE Reference No | 91011 | |
| Application | MODUL X GEN1 GEN 2 | |
| Description | Caliper Repair Kit | |
| | Name | Qty. |
| 1 | K121 | 2 Tappet Boot (67mm) |
| 2 | S101 | 2 Spring |
| 3 | K123 | 1 Rubber Tap |
| 4 | SK24 | 2 Snap Ring |



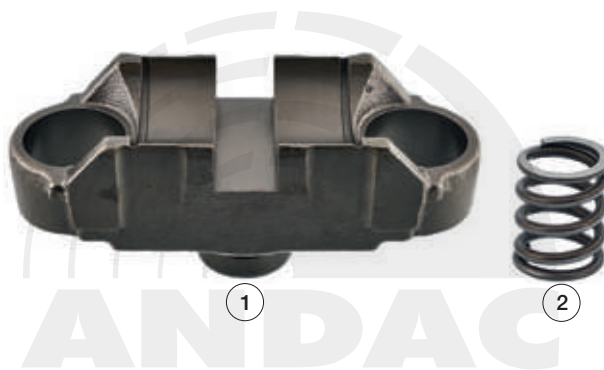
| | | |
|------------------------|--------------------|-----------------|
| ANDAC No | 0810 60171 | |
| OE Reference No | 94892 - 790-94892 | |
| Application | MODUL X GEN1 GEN 2 | |
| Description | Caliper Plug Kit | |
| | Name | Qty. |
| 1 | K124 | 1 Rubber Tap |
| 2 | K123 | 1 Rubber Tap |
| 3 | T282 | 1 Adjuster Bolt |



| | | |
|------------------------|----------------------------------|-----------------|
| ANDAC No | 0810 60119 | |
| OE Reference No | 90693 - 5021174163 - 34343855 02 | |
| Application | MODUL X GEN1 GEN 2 | |
| Description | Caliper Plug Kit | |
| | Name | Qty. |
| 1 | K124 | 2 Rubber Tap |
| 2 | K123 | 2 Rubber Tap |
| 3 | T282 | 2 Adjuster Bolt |



| | | |
|------------------------|-------------------|----------|
| ANDAC No | 0810 60107 | |
| OE Reference No | | |
| Application | MODUL X GEN 2 | |
| Description | Caliper Bridge | |
| | Name | Qty. |
| 1 | T286 | 1 Bridge |
| 2 | Y50 | 1 Spring |



▶ HALDEX MODUL X

| | | | |
|------------------------|-------------------|-------------|-------------|
| ANDAC No | 0810 60916 | | |
| OE Reference No | | | |
| Application | MODUL X GEN 2 | | |
| Description | Caliper Bridge | | |
| | Name | Qty. | |
| 1 | T286 | 1 | Bridge |
| 2 | Y50 | 1 | Spring |
| 3 | S98 | 1 | Wavy Washer |
| 4 | SK10 | 1 | Snap Ring |



| | | | |
|------------------------|-------------------|-------------|-------|
| ANDAC No | 0810 60108 | | |
| OE Reference No | | | |
| Application | MODUL X GEN 2 | | |
| Description | Caliper Lever | | |
| | Name | Qty. | |
| 1 | T275 | 1 | Lever |



| | | | |
|------------------------|-----------------------------|-------------|---------------------|
| ANDAC No | 0810 60109 | | |
| OE Reference No | | | |
| Application | MODUL X GEN 2 | | |
| Description | Caliper Adjusting Mechanism | | |
| | Name | Qty. | |
| 1 | T285 | 1 | Adjusting Mechanism |



| | | | |
|------------------------|----------------------------------|-------------|--------------------------|
| ANDAC No | 0810 60110 | | |
| OE Reference No | | | |
| Application | MODUL X GEN 2 | | |
| Description | Caliper Adjusting Mechanism Gear | | |
| | Name | Qty. | |
| 1 | T276 | 1 | Adjusting Mechanism Gear |



HALDEX MODUL X

| | | | |
|-----------------|------|----------------------------------|--------------------------|
| ANDAC No | | 0810 60111 | |
| OE Reference No | | | |
| Application | | MODUL X GEN 2 | |
| Description | | Caliper Adjusting Mechanism Gear | |
| | Name | Qty. | |
| 1 | T277 | 1 | Adjusting Mechanism Gear |
| | | | |
| | | | |



| | | | |
|-----------------|------|---------------------------|-------------------|
| ANDAC No | | 0810 60112 | |
| OE Reference No | | | |
| Application | | MODUL X GEN 2 | |
| Description | | Caliper Intermediate Gear | |
| | Name | Qty. | |
| 1 | T280 | 1 | Intermediate Gear |
| 2 | S98 | 1 | Wavy Washer |
| 3 | SK10 | 1 | Snap Ring |
| | | | |
| | | | |



| | | | |
|-----------------|------|-----------------------------|------------------|
| ANDAC No | | 0810 60113 | |
| OE Reference No | | | |
| Application | | MODUL X GEN 2 | |
| Description | | Caliper Tappet and Bolt Kit | |
| | Name | Qty. | |
| 1 | T283 | 2 | Calibration Bolt |
| 2 | B21 | 2 | Bush |
| 3 | T284 | 2 | Tappet |
| | | | |
| | | | |



| | | | |
|-----------------|------|---------------------|--------------------|
| ANDAC No | | 0810 60114 | |
| OE Reference No | | | |
| Application | | MODUL X GEN1 GEN 2 | |
| Description | | Caliper Cover Plate | |
| | Name | Qty. | |
| 1 | T281 | 1 | Cover Plate |
| 2 | C58 | 4 | Screw M8x1.25x30mm |
| | | | |
| | | | |

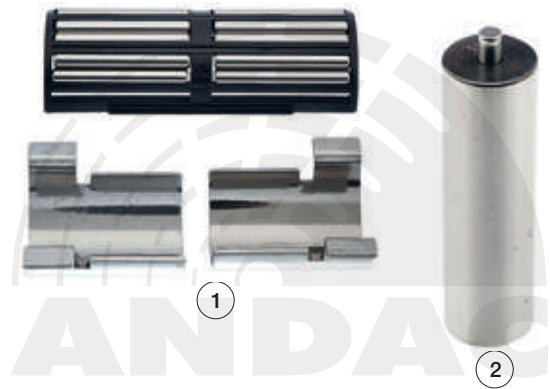


HALDEX MODUL X

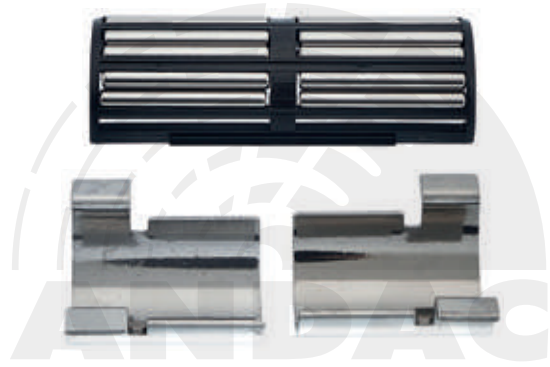
| | | | |
|------------------------|---------------------|-------------|--------------|
| ANDAC No | 0810 60115 | | |
| OE Reference No | | | |
| Application | MODUL X GEN 2 | | |
| Description | Caliper Locking Sim | | |
| | Name | Qty. | |
| 1 | S103 | 1 | Locking Shim |
| | | | |
| | | | |



| | | | |
|------------------------|------------------------|-------------|----------------|
| ANDAC No | 0810 60116 | | |
| OE Reference No | | | |
| Application | MODUL X GEN 2 | | |
| Description | Caliper Roller Bearing | | |
| | Name | Qty. | |
| 1 | R21 | 1 | Roller Bearing |
| 2 | T279 | 1 | Lever Pin |
| | | | |
| | | | |



| | | | |
|------------------------|------------------------|-------------|----------------|
| ANDAC No | 0810 60117 | | |
| OE Reference No | | | |
| Application | MODUL X GEN 2 | | |
| Description | Caliper Roller Bearing | | |
| | Name | Qty. | |
| 1 | R21 | 1 | Roller Bearing |
| | | | |
| | | | |



| | | | |
|------------------------|------------------------|-------------|----------------|
| ANDAC No | 0810 60118 | | |
| OE Reference No | | | |
| Application | MODUL X GEN 2 | | |
| Description | Caliper Roller Bearing | | |
| | Name | Qty. | |
| 1 | R22 | 2 | Roller Bearing |
| | | | |
| | | | |



HALDEX MODUL X

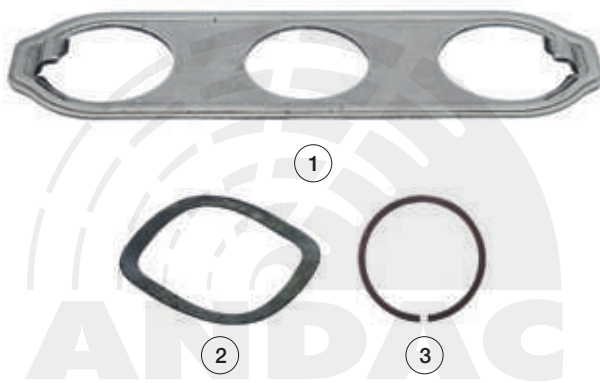
| | | | |
|-----------------|------|------------------------|----------------|
| ANDAC No | | 0810 60172 | |
| OE Reference No | | | |
| Application | | MODUL X GEN 1 | |
| Description | | Caliper Roller Bearing | |
| | Name | Qty. | |
| 1 | R35 | 2 | Roller Bearing |
| | | | |
| | | | |



| | | | |
|-----------------|------|------------------------|----------------|
| ANDAC No | | 0810 60201 | |
| OE Reference No | | | |
| Application | | MODUL X GEN 1 | |
| Description | | Caliper Roller Bearing | |
| | Name | Qty. | |
| 1 | R38 | 2 | Roller Bearing |
| | | | |
| | | | |



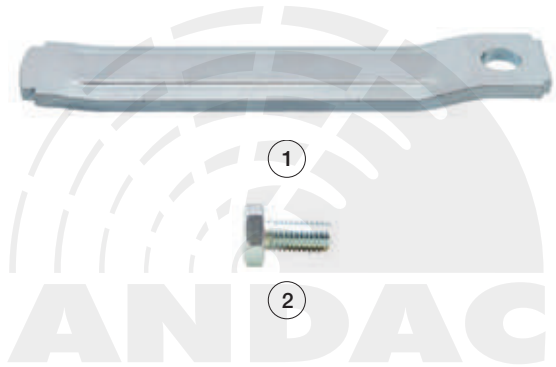
| | | | |
|-----------------|------|----------------------|--------------|
| ANDAC No | | 0810 60120 | |
| OE Reference No | | | |
| Application | | MODUL X GEN 2 | |
| Description | | Caliper Locking Shim | |
| | Name | Qty. | |
| 1 | S104 | 1 | Locking Shim |
| 2 | S98 | 1 | Wavy Washer |
| 3 | SK10 | 1 | Snap Ring |
| | | | |
| | | | |



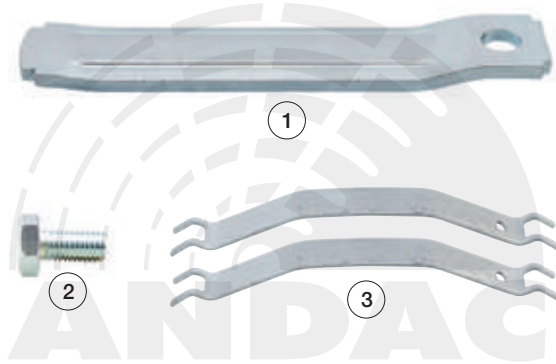
| | | | |
|-----------------|------|----------------------|-----------|
| ANDAC No | | 0810 60121 | |
| OE Reference No | | 91019 | |
| Application | | MODUL X GEN1 GEN 2 | |
| Description | | Caliper Locking Shim | |
| | Name | Qty. | |
| 1 | S105 | 2 | Metal Cap |
| | | | |
| | | | |



| | | |
|------------------------|----------------------|-------------|
| ANDAC No | 0810 60122 | |
| OE Reference No | 90673 | |
| Application | MODUL X GEN1 GEN 2 | |
| Description | Caliper Pad Retainer | |
| | Name | Qty. |
| 1 | S102 | 1 |
| 2 | C57 | 1 |
| | | |
| | | |



| | | |
|------------------------|----------------------|-------------|
| ANDAC No | 0810 60202 | |
| OE Reference No | 91216 - 790-94897 | |
| Application | MODUL X GEN1 GEN 2 | |
| Description | Caliper Pad Retainer | |
| | Name | Qty. |
| 1 | S102 | 1 |
| 2 | C57 | 1 |
| 3 | S233 | 2 |
| | | |
| | | |



HALDEX
MODUL T



| | | | |
|------------------------|-------------|--|------------------------------|
| ANDAC No | | 0810 60903 | |
| OE Reference No | | | |
| Application | | MODUL T, SAF SBS2220 H0, SBS1918 H0, KRONE DBT22LT | |
| Description | | Caliper Overhaul Repair Kit | |
| | Name | Qty. | |
| 1 | T346 | 1 | Guide Pin Ø35x120mm |
| 2 | T347 | 1 | Guide Pin Ø35,5x87mm |
| 3 | C3 | 2 | Screw M16x1,5x80mm |
| 4 | B50 | 2 | Bush |
| 5 | P45 | 1 | Plastic Bush |
| 6 | K133 | 2 | Boot |
| 7 | S136 | 1 | Pin Cap Ø42X26mm |
| 8 | S137 | 1 | Pin Cap Ø45X22mm |
| 9 | S30 | 1 | Bush Retainer |
| 10 | P27 | 2 | Plastic Ring |
| 11 | K135 | 1 | Rubber Tap |
| 12 | P63 | 1 | Adjusting Gear |
| 13 | K136 | 1 | O-Ring |
| 14 | S28 | 1 | Pad Retainer |
| 15 | K143 | 1 | Rubber Tap |
| 16 | S161 | 1 | Locking Spring |
| 17 | P46 | 1 | Adjusting Gear |
| 18 | T356 | 1 | Adjusting Mechanism Complete |



ANDAC No 0810 60936

OE Reference No

Application MODUL T, JOST

Description Caliper Overhaul Repair Kit

| Name | Qty. | |
|---------|------|------------------------------|
| 1 T346 | 1 | Guide Pin Ø35x120mm |
| 2 T347 | 1 | Guide Pin Ø35,5x87mm |
| 3 C3 | 2 | Screw M16x1,5x80mm |
| 4 B50 | 2 | Bush |
| 5 P45 | 1 | Plastic Bush |
| 6 K133 | 2 | Boot |
| 7 S136 | 1 | Pin Cap Ø42X26mm |
| 8 S137 | 1 | Pin Cap Ø45X22mm |
| 9 S30 | 1 | Bush Retainer |
| 10 P27 | 2 | Plastic Ring |
| 11 K135 | 1 | Rubber Tap |
| 12 P63 | 1 | Adjusting Gear |
| 13 K136 | 1 | O-Ring |
| 14 S28 | 1 | Pad Retainer |
| 15 K143 | 1 | Rubber Tap |
| 16 S161 | 1 | Locking Spring |
| 17 P46 | 1 | Adjusting Gear |
| 18 T710 | 1 | Adjusting Mechanism Complete |



ANDAC No 0810 60125

OE Reference No 3434386100 - 95397 - 95054 - 550017811

Application MODUL T

Description Caliper Repair Kit

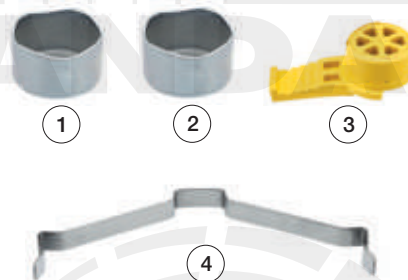
| Name | Qty. | |
|---------|------|----------------------|
| 1 T346 | 1 | Guide Pin Ø35x120mm |
| 2 T347 | 1 | Guide Pin Ø35,5x87mm |
| 3 C3 | 2 | Screw M16x1,5x80mm |
| 4 B50 | 2 | Bush |
| 5 P45 | 1 | Plastic Bush |
| 6 K133 | 2 | Boot |
| 7 S136 | 1 | Pin Cap Ø42X26mm |
| 8 S137 | 1 | Pin Cap Ø45X22mm |
| 9 S30 | 1 | Bush Retainer |
| 10 P27 | 2 | Plastic Ring |
| 11 K135 | 1 | Rubber Tap |



| | | | |
|------------------------|--------------------|-------------|----------------------|
| ANDAC No | 0810 60187 | | |
| OE Reference No | 96202 | | |
| Application | MODUL T | | |
| Description | Caliper Repair Kit | | |
| | Name | Qty. | |
| 1 | T346 | 1 | Guide Pin Ø35x120mm |
| 2 | T347 | 1 | Guide Pin Ø35,5x87mm |
| 3 | C3 | 2 | Screw M16x1,5x80mm |
| 4 | K133 | 2 | Boot |
| 5 | S136 | 1 | Pin Cap Ø42X26mm |
| 6 | S137 | 1 | Pin Cap Ø45X22mm |
| 7 | P27 | 2 | Plastic Ring |



| | | | |
|------------------------|--------------------|-------------|------------------|
| ANDAC No | 0810 60188 | | |
| OE Reference No | 790-22119 | | |
| Application | MODUL T | | |
| Description | Caliper Repair Kit | | |
| | Name | Qty. | |
| 1 | S136 | 1 | Pin Cap Ø42X26mm |
| 2 | S137 | 1 | Pin Cap Ø45X22mm |
| 3 | K135 | 1 | Rubber Tap |
| 4 | S161 | 1 | Locking Spring |



| | | | |
|------------------------|-----------------------------|-------------|---------------------|
| ANDAC No | 0810 60126 | | |
| OE Reference No | | | |
| Application | MODUL T | | |
| Description | Caliper Adjusting Mechanism | | |
| | Name | Qty. | |
| 1 | T355 | 1 | Adjusting Mechanism |
| 2 | SK12 | 1 | Snap Ring |



| | | | |
|------------------------|-------------|------------------------------------|---------------------|
| ANDAC No | | 0810 60157 | |
| OE Reference No | | | |
| Application | | MODUL T | |
| Description | | Caliper Adjusting Mechanism | |
| | Name | Qty. | |
| 1 | T355 | 1 | Adjusting Mechanism |
| 2 | SK12 | 1 | Snap Ring |
| 3 | T350 | 2 | Bearing Housing |
| 4 | R31 | 1 | Center Bearing |
| 5 | R32 | 1 | Adjuster Bearing |



| | | | |
|------------------------|-------------|-----------------------|--------|
| ANDAC No | | 0810 60127 | |
| OE Reference No | | | |
| Application | | MODUL T | |
| Description | | Caliper Bridge | |
| | Name | Qty. | |
| 1 | T348 | 1 | Bridge |



| | | | |
|------------------------|-------------|---------------------------------|--------|
| ANDAC No | | 0810 60174 | |
| OE Reference No | | | |
| Application | | MODUL T, JOST | |
| Description | | Caliper Bridge JOST TYPE | |
| | Name | Qty. | |
| 1 | T650 | 1 | Bridge |



HALDEX MODUL T

| | | | |
|-----------------|------|------------------------|----------------|
| ANDAC No | | 0810 60128 | |
| OE Reference No | | | |
| Application | | MODUL T | |
| Description | | Caliper Adjusting Gear | |
| | Name | Qty. | |
| 1 | T349 | 1 | Adjusting Gear |
| | | | |
| | | | |



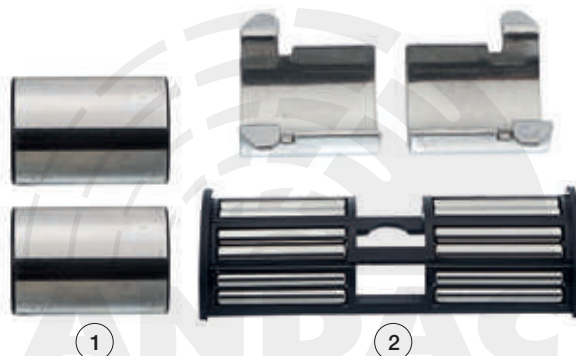
| | | | |
|-----------------|------|-------------------|-------|
| ANDAC No | | 0810 60129 | |
| OE Reference No | | | |
| Application | | MODUL T | |
| Description | | Caliper Lever | |
| | Name | Qty. | |
| 1 | T353 | 1 | Lever |
| | | | |
| | | | |



| | | | |
|-----------------|------|---------------------------|-----------------|
| ANDAC No | | 0810 60130 | |
| OE Reference No | | | |
| Application | | MODUL T | |
| Description | | Caliper Mechanism Housing | |
| | Name | Qty. | |
| 1 | T351 | 1 | Bearing Housing |
| | | | |
| | | | |



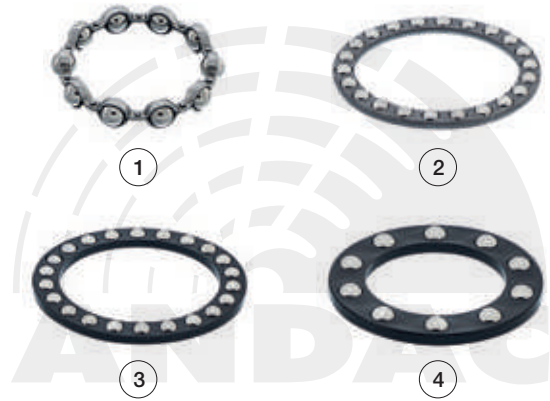
| | | | |
|-----------------|------|----------------------------|----------------|
| ANDAC No | | 0810 60131 | |
| OE Reference No | | | |
| Application | | MODUL T | |
| Description | | Caliper Roller Bearing Kit | |
| | Name | Qty. | |
| 1 | T352 | 2 | Lever Pin |
| 2 | R33 | 1 | Roller Bearing |
| | | | |
| | | | |



| | | | |
|------------------------|-------------|------------------------|----------------|
| ANDAC No | | 0810 60132 | |
| OE Reference No | | | |
| Application | | MODUL T | |
| Description | | Caliper Roller Bearing | |
| | Name | Qty. | |
| 1 | R34 | 2 | Roller Bearing |
| | | | |
| | | | |



| | | | |
|------------------------|-------------|----------------------------|---------------------|
| ANDAC No | | 0810 60133 | |
| OE Reference No | | | |
| Application | | MODUL T | |
| Description | | Caliper Roller Bearing Kit | |
| | Name | Qty. | |
| 1 | R29 | 1 | Calibration Bearing |
| 2 | R30 | 1 | Center Bearing |
| 3 | R31 | 1 | Center Bearing |
| 4 | R32 | 1 | Adjuster Bearing |



| | | | |
|------------------------|-------------|------------------------------|-----------------|
| ANDAC No | | 0810 60134 | |
| OE Reference No | | | |
| Application | | MODUL T | |
| Description | | Caliper Adjuster Housing Kit | |
| | Name | Qty. | |
| 1 | T350 | 5 | Bearing Housing |
| | | | |
| | | | |

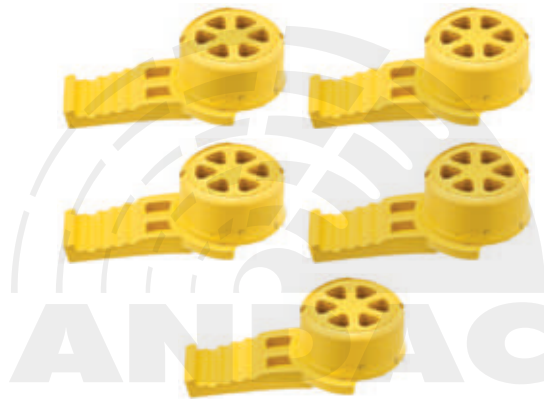


| | | | |
|------------------------|-------------|---------------------|------|
| ANDAC No | | 0810 60135 | |
| OE Reference No | | 3 434 3863 00 | |
| Application | | MODUL T | |
| Description | | Caliper Piston Boot | |
| | Name | Qty. | |
| 1 | K134 | 1 | Boot |
| | | | |
| | | | |



HALDEX MODUL T

| | | | |
|--------------------|------|------------------------|------------|
| ANDAC No | | 0810 60137 | |
| OE Reference No | | | |
| Application | | MODUL T | |
| Description | | Caliper Rubber Tap Kit | |
| | Name | Qty. | |
| 1 | K135 | 5 | Rubber Tap |
| | | | |
| | | | |



| | | | |
|--------------------|------|----------------------------|--------------------------|
| ANDAC No | | 0810 60138 | |
| OE Reference No | | | |
| Application | | MODUL T | |
| Description | | Caliper Adjusting Gear Kit | |
| | Name | Qty. | |
| 1 | P46 | 5 | Adjusting Gear (Plastic) |
| | | | |
| | | | |



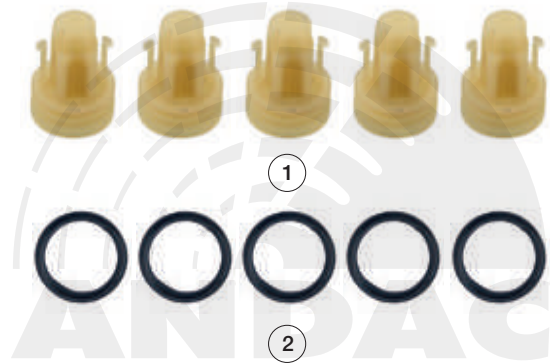
| | | | |
|--------------------|------|------------------------|------------|
| ANDAC No | | 0810 60136 | |
| OE Reference No | | | |
| Application | | MODUL T | |
| Description | | Caliper Rubber Tap Kit | |
| | Name | Qty. | |
| 1 | K143 | 5 | Rubber Tap |
| | | | |
| | | | |



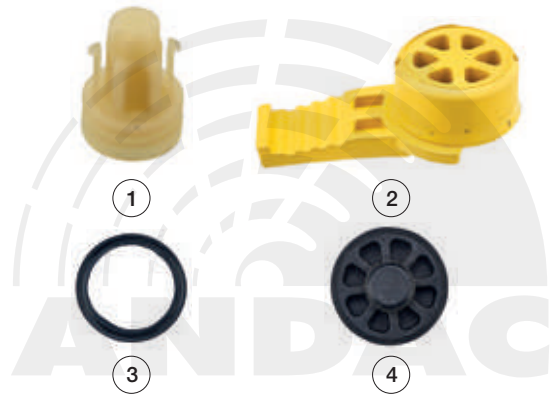
| | | | |
|--------------------|------|-----------------------------|-----------------|
| ANDAC No | | 0810 60139 | |
| OE Reference No | | | |
| Application | | MODUL T | |
| Description | | Caliper Adjuster Locker Kit | |
| | Name | Qty. | |
| 1 | P49 | 5 | Adjuster Locker |
| | | | |
| | | | |



| | | | |
|------------------------|------|----------------------------|----------------|
| ANDAC No | | 0810 60140 | |
| OE Reference No | | | |
| Application | | MODUL T | |
| Description | | Caliper Adjusting Gear Kit | |
| | Name | Qty. | |
| 1 | P63 | 5 | Adjusting Gear |
| 2 | K136 | 5 | O-Ring |
| | | | |
| | | | |



| | | | |
|------------------------|------|--------------------|----------------|
| ANDAC No | | 0810 60141 | |
| OE Reference No | | | |
| Application | | MODUL T | |
| Description | | Caliper Repair Kit | |
| | Name | Qty. | |
| 1 | P63 | 1 | Adjusting Gear |
| 2 | K135 | 1 | Rubber Tap |
| 3 | K136 | 1 | O-Ring |
| 4 | K143 | 1 | Adjusting Gear |
| | | | |
| | | | |



| | | | |
|------------------------|------|--------------------|--------|
| ANDAC No | | 0810 60142 | |
| OE Reference No | | | |
| Application | | MODUL T | |
| Description | | Caliper Repair Kit | |
| | Name | Qty. | |
| 1 | T368 | 1 | Washer |
| 2 | T374 | 1 | Nut |
| | | | |
| | | | |

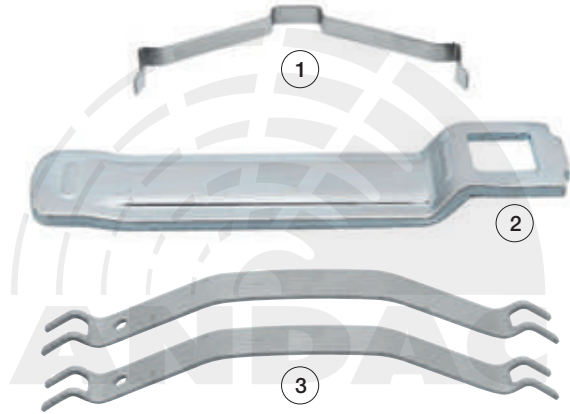


| | | | |
|------------------------|------|----------------------------|----------------|
| ANDAC No | | 0810 60162 | |
| OE Reference No | | | |
| Application | | MODUL T | |
| Description | | Caliper Protection Cap Kit | |
| | Name | Qty. | |
| 1 | P94 | 5 | Protection Cap |
| | | | |
| | | | |



HALDEX MODUL T

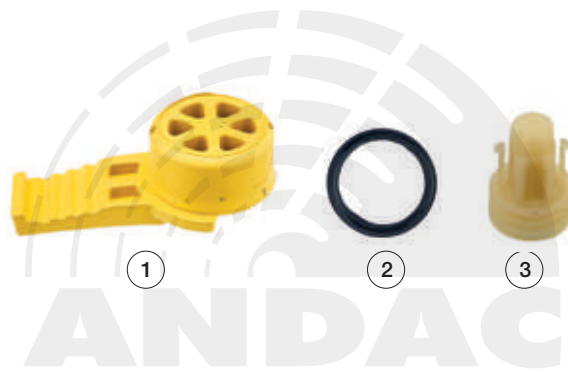
| | | | |
|------------------------|--------------------------|------|------------------|
| ANDAC No | 0810 60143 | | |
| OE Reference No | | | |
| Application | MODUL T | | |
| Description | Caliper Pad Retainer Kit | | |
| | Name | Qty. | |
| 1 | S161 | 1 | Locking Spring |
| 2 | S28 | 1 | Pad Retainer |
| 3 | S160 | 2 | Retention Spring |



| | | | |
|------------------------|----------------------|------|--------------|
| ANDAC No | 0810 60144 | | |
| OE Reference No | | | |
| Application | MODUL T | | |
| Description | Caliper Pad Retainer | | |
| | Name | Qty. | |
| 1 | S28 | 1 | Pad Retainer |



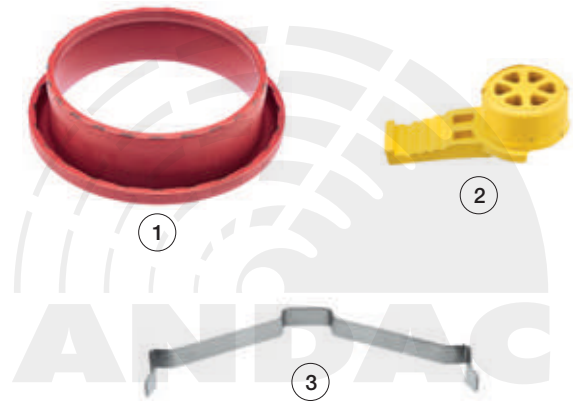
| | | | |
|------------------------|--|------|----------------|
| ANDAC No | 0810 60147 | | |
| OE Reference No | 3434386200 - 95398 - 550017812 - 790-95398 | | |
| Application | MODUL T | | |
| Description | Caliper Repair Kit | | |
| | Name | Qty. | |
| 1 | K135 | 1 | Rubber Tap |
| 2 | K136 | 1 | O-Ring |
| 3 | P63 | 1 | Adjusting Gear |



| | | | |
|------------------------|-------------------|------|------------|
| ANDAC No | 0810 60148 | | |
| OE Reference No | | | |
| Application | MODUL T | | |
| Description | Caliper Seal Kit | | |
| | Name | Qty. | |
| 1 | K134 | 1 | Boot |
| 2 | K135 | 1 | Rubber Tap |



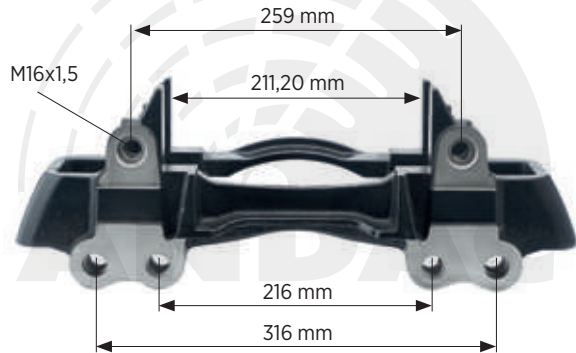
| | | | |
|------------------------|------------------------|-------------|----------------|
| ANDAC No | 0810 60205 | | |
| OE Reference No | 3434386300 - 790-95399 | | |
| Application | MODUL T | | |
| Description | Caliper Seal Kit | | |
| | Name | Qty. | |
| 1 | K134 | 1 | Boot |
| 2 | K135 | 1 | Rubber Tap |
| 3 | S161 | 1 | Locking Spring |
| | | | |



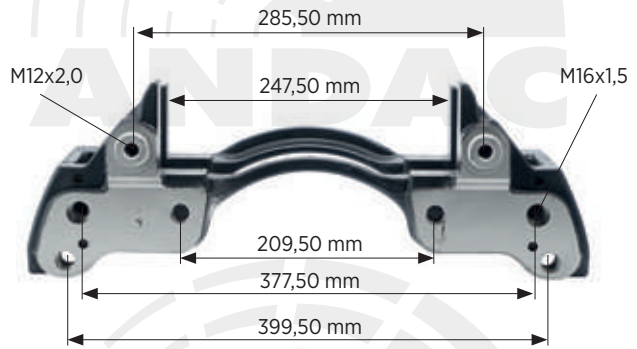
**HALDEX
CARRIERS**



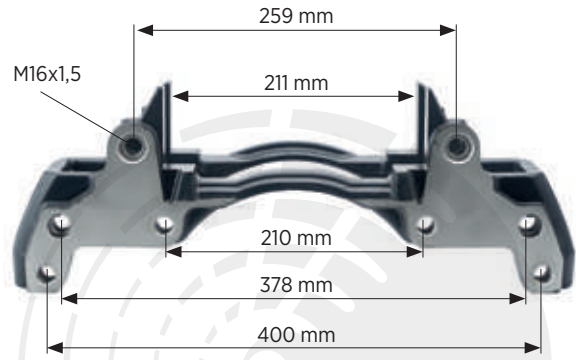
| | | | |
|------------------------|-------------------|-------------|---------------|
| ANDAC No | 0810 60145 | | |
| OE Reference No | 94618 - 94619 | | |
| Application | MODUL T, SAF | | |
| Description | Caliper Carrier | | |
| | Name | Qty. | |
| 1 | T370 | 1 | Carrier 22.5" |
| | | | |
| | | | |
| | | | |
| | | | |
| | | | |
| | | | |
| | | | |
| | | | |



| | | | |
|------------------------|---|-------------|---------------|
| ANDAC No | 0810 60123 | | |
| OE Reference No | 92503 - 91030 - 92502 - 89895 - 3080003620 - 3080005620 | | |
| Application | MODUL X DB22 SAF | | |
| Description | Caliper Carrier | | |
| | Name | Qty. | |
| 1 | T324 | 1 | Carrier 22.5" |
| | | | |
| | | | |
| | | | |
| | | | |
| | | | |
| | | | |
| | | | |
| | | | |

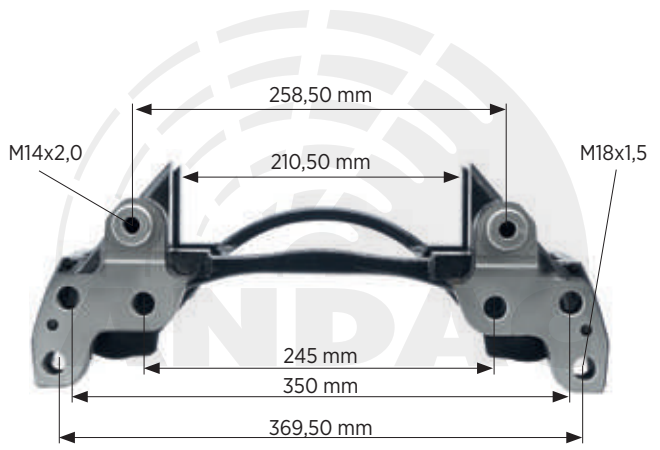


| | | | |
|------------------------|-------------------|-------------|---------------|
| ANDAC No | 0810 60158 | | |
| OE Reference No | | | |
| Application | MODUL T, SAF | | |
| Description | Caliper Carrier | | |
| | Name | Qty. | |
| 1 | T606 | 1 | Carrier 22.5" |
| | | | |
| | | | |
| | | | |
| | | | |
| | | | |
| | | | |
| | | | |
| | | | |

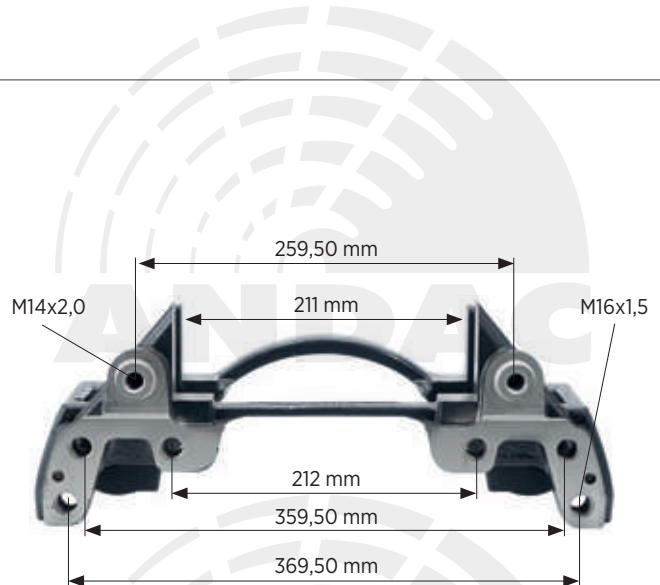


HALDEX CARRIERS

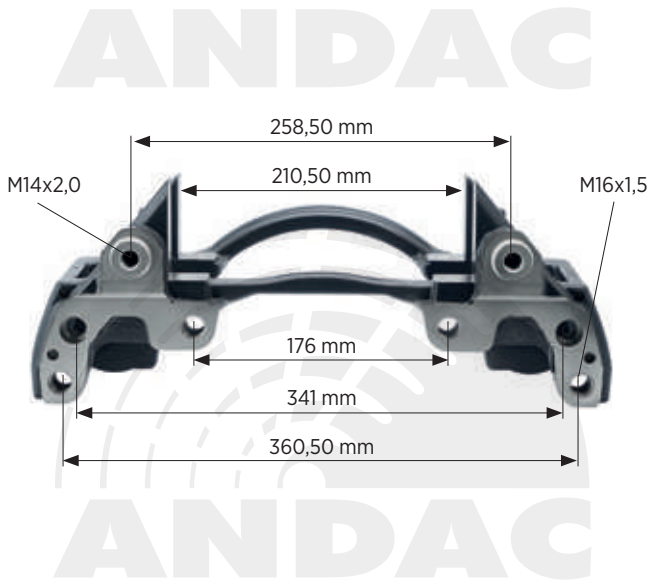
| | | | |
|------------------------|-------------|---|---------------|
| ANDAC No | | 0810 60165 | |
| OE Reference No | | 94605 - 20780777 - 20780779 - 5001867588 - 5010598356 - 5010898423 | |
| Application | | MODUL X DB19 | |
| Description | | Caliper Carrier | |
| | Name | Qty. | |
| 1 | T712 | 1 | Carrier 19.5" |
| | | | |
| | | | |
| | | | |
| | | | |
| | | | |
| | | | |
| | | | |
| | | | |
| | | | |



| | | | |
|------------------------|-------------|-------------------|---------------|
| ANDAC No | | 0810 60207 | |
| OE Reference No | | 790-22119 | |
| Application | | MODUL X DB19 | |
| Description | | Caliper Carrier | |
| | Name | Qty. | |
| 1 | T713 | 1 | Carrier 19.5" |
| | | | |
| | | | |
| | | | |
| | | | |
| | | | |
| | | | |
| | | | |
| | | | |
| | | | |



| | | | |
|------------------------|-------------|--|---------------|
| ANDAC No | | 0810 60208 | |
| OE Reference No | | 92559 - 92560 - 92067 - 91031 - 89797 - 89945 - 89894 | |
| Application | | MODUL X DB19 | |
| Description | | Caliper Carrier | |
| | Name | Qty. | |
| 1 | T714 | 1 | Carrier 19.5" |
| | | | |
| | | | |
| | | | |
| | | | |
| | | | |
| | | | |
| | | | |
| | | | |
| | | | |





 **HALDEX CARRIERS**

Z-CAM



ANDAC No 0810 50901

OE Reference No

Application Z-CAM

Description Overhaul Repair Kit(Left)

| Name | Qty. | |
|---------|------|--------------------------------|
| 1 B54 | 1 | Bush |
| 2 C108 | 4 | Screw |
| 3 CN2 | 1 | Gasket |
| 4 K102 | 4 | Seal |
| 5 K48 | 2 | Dust Cover |
| 6 K72 | 1 | O-Ring |
| 7 K82 | 2 | O-Ring |
| 8 K84 | 1 | O-Ring |
| 9 K85 | 1 | O-Ring |
| 10 K8 | 1 | O-Ring |
| 11 S243 | 4 | Seal |
| 12 SY68 | 1 | Reverse Lock Repair Kit (Left) |
| 13 T100 | 1 | Adjusting Gear |
| 14 T106 | 1 | Cross Shaft |
| 15 T108 | 1 | Thrust Pin |
| 16 T114 | 2 | Cover |
| 17 T115 | 1 | Pin |
| 18 T169 | 1 | Adjusting Gear |
| 19 T101 | 1 | Pinion |
| 20 T111 | 1 | Cap (Without Tube) |
| 21 T112 | 1 | Return Spring |



ANDAC No 0810 50904

OE Reference No

Application Z-CAM

Description Overhaul Repair Kit(Right)

| | Name | Qty. | |
|----|------|------|---------------------------------|
| 1 | B54 | 1 | Bush |
| 2 | C108 | 4 | Screw |
| 3 | CN2 | 1 | Gasket |
| 4 | K102 | 4 | Seal |
| 5 | K48 | 2 | Dust Cover |
| 6 | K72 | 1 | O-Ring |
| 7 | K82 | 2 | O-Ring |
| 8 | K84 | 1 | O-Ring |
| 9 | K85 | 1 | O-Ring |
| 10 | K8 | 1 | O-Ring |
| 11 | S243 | 4 | Seal |
| 12 | SY67 | 1 | Reverse Lock Repair Kit (Right) |
| 13 | T100 | 1 | Adjusting Gear |
| 14 | T108 | 1 | Cross Shaft |
| 15 | T114 | 2 | Thrust Pin |
| 16 | T115 | 1 | Cover |
| 17 | T169 | 1 | Pin |
| 18 | T101 | 1 | Adjusting Gear |
| 19 | T107 | 1 | Pinion |
| 20 | T111 | 1 | Cap (Without Tube) |
| 21 | T112 | 1 | Return Spring |



| | | | |
|------------------------|-------------|---|---------------|
| ANDAC No | | 0810 50101 | |
| OE Reference No | | 68192115 - 3097092 - 1696444 - 5001868113 - 9C462296AA - 167090 | |
| Application | | Z-CAM | |
| Description | | Return Spring | |
| | Name | Qty. | |
| 1 | T112 | 1 | Return Spring |
| | | | |
| | | | |



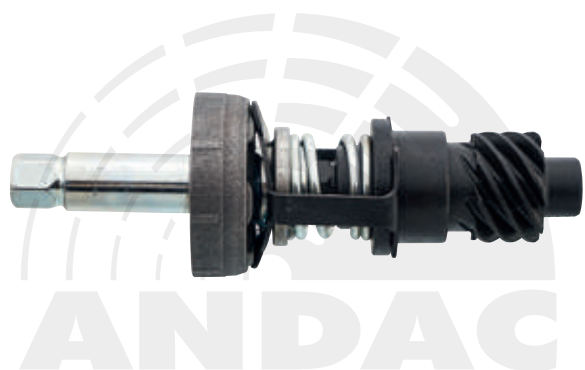
| | | | |
|------------------------|-------------|--|-------------------|
| ANDAC No | | 0810 50102 | |
| OE Reference No | | 68192487 - 30972299 - 1698346 - 9C462069AA - 137075 - 68200150 | |
| Application | | Z-CAM | |
| Description | | Return Spring Pin | |
| | Name | Qty. | |
| 1 | T113 | 1 | Return Spring Pin |
| | | | |
| | | | |



| | | | |
|------------------------|-------------|----------------------------|------------------|
| ANDAC No | | 0810 50103 | |
| OE Reference No | | 3090997 - 1081819 - ST1038 | |
| Application | | Z-CAM | |
| Description | | Adjusting Pinion (Left) | |
| | Name | Qty. | |
| 1 | T102 | 1 | Adjusting Pinion |
| | | | |
| | | | |



| | | | |
|------------------------|-------------|----------------------------|------------------|
| ANDAC No | | 0810 50104 | |
| OE Reference No | | 3090998 - 1081820 - ST1039 | |
| Application | | Z-CAM | |
| Description | | Adjusting Pinion (Right) | |
| | Name | Qty. | |
| 1 | T103 | 1 | Adjusting Pinion |
| | | | |
| | | | |



Z-CAM

| | | | |
|------------------------|-------------|--|-------------|
| ANDAC No | | 0810 50105 | |
| OE Reference No | | 68191219 - 272910 - 5001868121 - 9C462458AA - ST4018 | |
| Application | | Z-CAM | |
| Description | | Cross Shaft | |
| | Name | Qty. | |
| 1 | T108 | 1 | Cross Shaft |
| | | | |
| | | | |



| | | | |
|------------------------|-------------|--|------------|
| ANDAC No | | 0810 50106 | |
| OE Reference No | | 64225252 - 1696446 - 5001868120 - 9C462B003AA - 137074 | |
| Application | | Z-CAM | |
| Description | | Thrust Pin | |
| | Name | Qty. | |
| 1 | T114 | 1 | Thrust Pin |
| | | | |
| | | | |



| | | | |
|------------------------|-------------|--|----------------|
| ANDAC No | | 0810 50107 | |
| OE Reference No | | 68192566 - 272908 - 3097100 - 8550977 - 9C462A105BA - 68192566 - ST4013 - ST4024 - A164062 | |
| Application | | Z-CAM | |
| Description | | Adjusting Gear (Right) | |
| | Name | Qty. | |
| 1 | T100 | 1 | Adjusting Gear |
| | | | |
| | | | |



| | | | |
|------------------------|-------------|--|----------------|
| ANDAC No | | 0810 50108 | |
| OE Reference No | | 68162565 - 27909 - 3097099 - 8550978 - 9C462A105AA - ST4014 - ST1222 - A164061 | |
| Application | | Z-CAM | |
| Description | | Adjusting Gear (Left) | |
| | Name | Qty. | |
| 1 | T101 | 1 | Adjusting Gear |
| | | | |
| | | | |



| | | | |
|------------------------|--------------------|-------------|----------|
| ANDAC No | 0810 50109 | | |
| OE Reference No | 272904 | | |
| Application | Z-CAM | | |
| Description | Adjusting Gear Cap | | |
| | Name | Qty. | |
| 1 | S54 | 1 | Gear Cap |
| | | | |
| | | | |



| | | | |
|------------------------|----------------------------------|-------------|------------------|
| ANDAC No | 0810 50110 | | |
| OE Reference No | 276099 - ST1034 | | |
| Application | Z-CAM | | |
| Description | Lock Cap Repair Kit (Big Thread) | | |
| | Name | Qty. | |
| 1 | K81 | 1 | Boot |
| 2 | T168 | 1 | Pin |
| 3 | K82 | 1 | O-Ring |
| 4 | T109 | 1 | Cap (Big Thread) |
| 5 | K83 | 1 | O-Ring |



| | | | |
|------------------------|-----------------------------------|-------------|-------------------|
| ANDAC No | 0810 50111 | | |
| OE Reference No | 276100 - 3090964 - ST1035 | | |
| Application | Z-CAM | | |
| Description | Lock Cap Repair Kit (Thin Thread) | | |
| | Name | Qty. | |
| 1 | K81 | 1 | Boot |
| 2 | T168 | 1 | Pin |
| 3 | K82 | 1 | O-Ring |
| 4 | T110 | 1 | Cap (Thin Thread) |
| 5 | K83 | 1 | O-Ring |



| | | | |
|------------------------|----------------------------------|-------------|-------------------|
| ANDAC No | 0810 50122 | | |
| OE Reference No | 276100 - 3090964 | | |
| Application | Z-CAM | | |
| Description | Caliper Repair Kit (Thin Thread) | | |
| | Name | Qty. | |
| 1 | K81 | 1 | Boot |
| 2 | T168 | 1 | Pin |
| 3 | K82 | 1 | O-Ring |
| 4 | T636 | 1 | Cap (Thin Thread) |
| 5 | K83 | 1 | O-Ring |

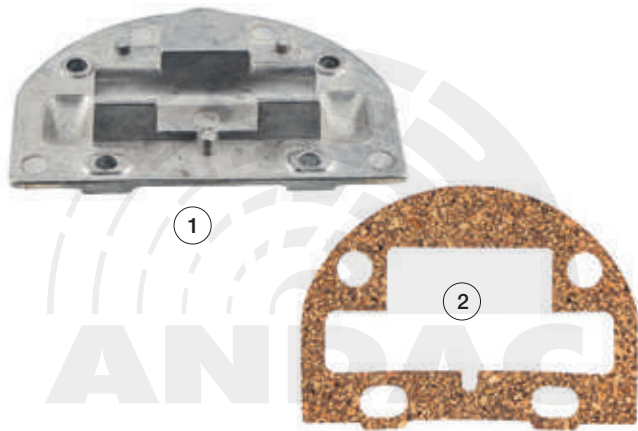


Z-CAM

| | | | |
|------------------------|-------------------|-------------|--------------------|
| ANDAC No | 0810 50112 | | |
| OE Reference No | 276096 - ST1033 | | |
| Application | Z-CAM | | |
| Description | | | |
| | Name | Qty. | |
| 1 | K84 | 1 | O-Ring |
| 2 | T169 | 1 | Pin |
| 3 | K85 | 1 | O-Ring |
| 4 | T111 | 1 | Cap (Without Tube) |



| | | | |
|------------------------|-------------------|-------------|--------|
| ANDAC No | 0810 50113 | | |
| OE Reference No | 1696449 - 1696450 | | |
| Application | Z-CAM | | |
| Description | Cover and Gasket | | |
| | Name | Qty. | |
| 1 | T115 | 1 | Cover |
| 2 | CN2 | 1 | Gasket |



| | | | |
|------------------------|---|-------------|----------------|
| ANDAC No | 0810 50114 | | |
| OE Reference No | 68191541 - 276098 - 9C462K400BA - ST1037 - ST4020 | | |
| Application | Z-CAM | | |
| Description | Reverse Lock Repair Kit (Right) | | |
| | Name | Qty. | |
| 1 | S67 | 1 | Locking Shim |
| 2 | Y32 | 1 | Locking Spring |



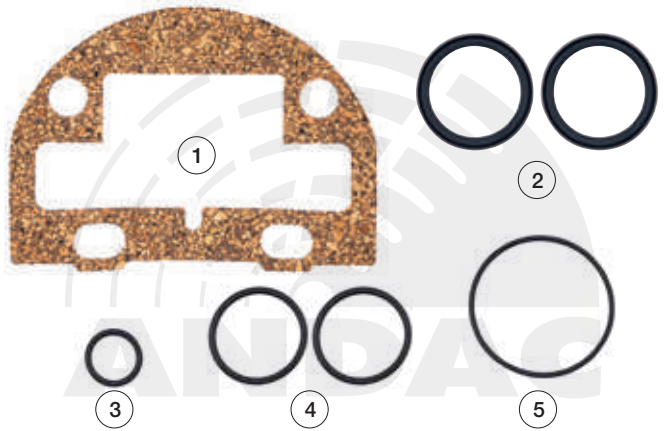
| | | | |
|------------------------|--|-------------|----------------|
| ANDAC No | 0810 50115 | | |
| OE Reference No | 68191540 - 276097 - 9C462K400AA - ST1036 - ST4021 - 68191540 | | |
| Application | Z-CAM | | |
| Description | Reverse Lock Repair Kit (Left) | | |
| | Name | Qty. | |
| 1 | S68 | 1 | Locking Shim |
| 2 | Y33 | 1 | Locking Spring |



| | | | |
|------------------------|---|-------------|------------|
| ANDAC No | 0810 50116 | | |
| OE Reference No | 68192410 - 3090954 - 1696448 - 5001868119 - 9C462B009AA | | |
| Application | Z-CAM | | |
| Description | Dust Cover | | |
| | Name | Qty. | |
| 1 | K48 | 1 | Dust Cover |
| | | | |
| | | | |



| | | | |
|------------------------|--------------------------|-------------|--------|
| ANDAC No | 0810 50117 | | |
| OE Reference No | 272905 - ST1053 - ST4025 | | |
| Application | Z-CAM | | |
| Description | Gasket Kit | | |
| | Name | Qty. | |
| 1 | CN2 | 1 | Gasket |
| 2 | K102 | 2 | Seal |
| 3 | K103 | 1 | O-Ring |
| 4 | K104 | 2 | O-Ring |
| 5 | K105 | 1 | O-Ring |



| | | | |
|------------------------|--|-------------|--------|
| ANDAC No | 0810 50118 | | |
| OE Reference No | 68191511 - 1696925 - 272907 - 5001868125 - 9C462K161AA - A164055 | | |
| Application | Z-CAM | | |
| Description | Pinion (Right) (New Model) | | |
| | Name | Qty. | |
| 1 | T104 | 1 | Pinion |
| | | | |
| | | | |



| | | | |
|------------------------|--|-------------|--------|
| ANDAC No | 0810 50119 | | |
| OE Reference No | 68191510 - 1696924 - 272906 - 5001868126 - 9C462K161BA - A164052 | | |
| Application | Z-CAM | | |
| Description | Pinion (Left) (New Model) | | |
| | Name | Qty. | |
| 1 | T105 | 1 | Pinion |
| | | | |
| | | | |

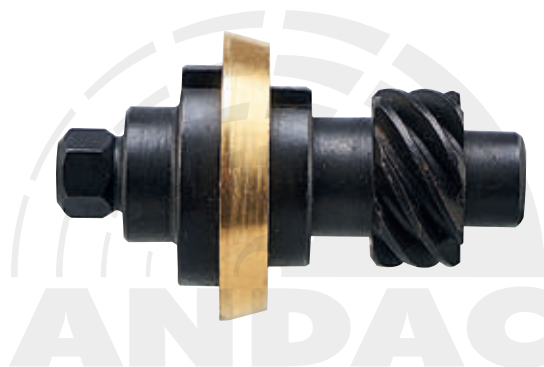


Z-CAM

| | | | |
|------------------------|-------------|---------------------------------|--------|
| ANDAC No | | 0810 50120 | |
| OE Reference No | | 68191510 - 1696924 - 5001868126 | |
| Application | | Z-CAM | |
| Description | | Pinion (Left) (Old Model) | |
| | Name | Qty. | |
| 1 | T106 | 1 | Pinion |
| | | | |
| | | | |



| | | | |
|------------------------|-------------|---------------------------------|--------|
| ANDAC No | | 0810 50121 | |
| OE Reference No | | 68191511 - 1696925 - 5001868125 | |
| Application | | Z-CAM | |
| Description | | Pinion (Right) (Old Model) | |
| | Name | Qty. | |
| 1 | T107 | 1 | Pinion |
| | | | |
| | | | |



| | | | |
|------------------------|-------------|--------------|--------|
| ANDAC No | | GRS01 | |
| OE Reference No | | | |
| Application | | Z-CAM | |
| Description | | Grease | |
| | Name | Qty. | |
| 1 | GRS01 | 1 | Grease |
| | | | |
| | | | |





BENDIX
ADB3700 - ADB4300



BENDIX ADB3700 - ADB4300

| | | |
|------------------------|--------------------------|--------------|
| ANDAC No | 0810 40109 | |
| OE Reference No | 93161192 | |
| Application | BENDIX ADB3700 - ADB4300 | |
| Description | Caliper Repair Kit | |
| | Name | Qty. |
| 1 | K78 | 1 Boot |
| 2 | P6 | 1 Teflon |
| 3 | K79 | 2 Boot |
| 4 | S57 | 2 Metal Ring |
| 5 | K80 | 2 Boot |
| 6 | S44 | 2 Metal Ring |
| 7 | S45 | 1 Metal Ring |



| | | |
|------------------------|--------------------------|------------------------|
| ANDAC No | 0810 40110 | |
| OE Reference No | 93161189 | |
| Application | BENDIX ADB3700 - ADB4300 | |
| Description | Caliper Repair Kit | |
| | Name | Qty. |
| 1 | T84 | 1 Guide Pin |
| 2 | C20 | 1 Screw M22x1,5x175mm |
| 3 | T85 | 1 Guide Pin |
| 4 | C21 | 1 Screw M16x1,5x1,25mm |
| 5 | K43 | 1 Bush |
| 6 | B15 | 2 Bush |



| | | |
|------------------------|--------------------------|--------------------|
| ANDAC No | 0810 40111 | |
| OE Reference No | 93161559 | |
| Application | BENDIX ADB3700 - ADB4300 | |
| Description | Caliper Repair Kit | |
| | Name | Qty. |
| 1 | Y9 | 1 Spring |
| 2 | Y8 | 1 Clamp |
| 3 | T165 | 1 Adjusting |
| 4 | Y7 | 1 Retention Spring |
| 5 | T86 | 2 Bolt |
| 6 | Y6 | 2 Clip |
| 7 | S13 | 1 Pad Retainer |

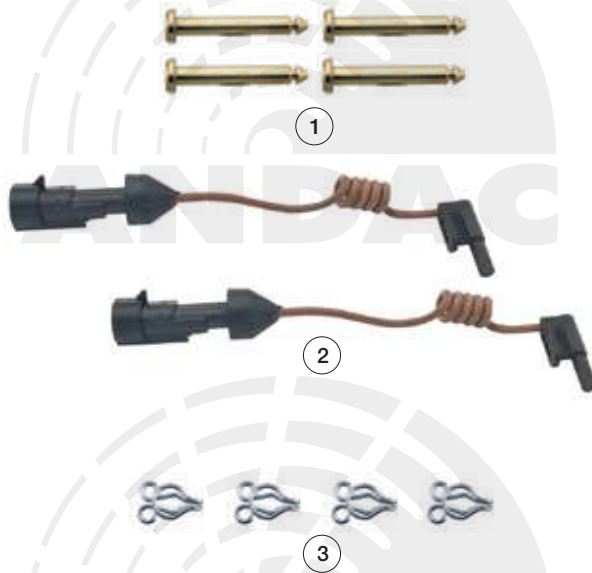


BENDIX ADB3700 - ADB4300

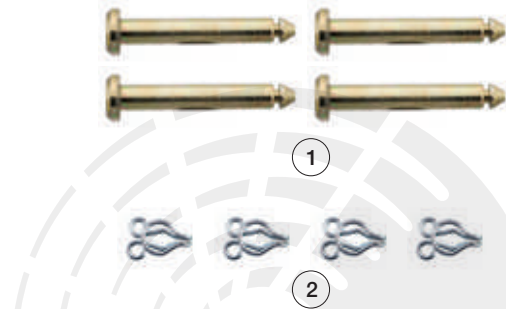
| | | | |
|------------------------|-------------|--------------------------|--------------|
| ANDAC No | | 0810 40112 | |
| OE Reference No | | 93161908 | |
| Application | | BENDIX ADB3700 - ADB4300 | |
| Description | | Caliper Repair Kit | |
| | Name | Qty. | |
| 1 | S13 | 2 | Pad Retainer |
| 2 | T166 | 8 | Pin |
| | | | |
| | | | |
| | | | |
| | | | |
| | | | |
| | | | |



| | | | |
|------------------------|-------------|--------------------------|-----------------|
| ANDAC No | | 0810 40143 | |
| OE Reference No | | WVA 29011 - 1908231 | |
| Application | | BENDIX ADB3700 - ADB4300 | |
| Description | | Caliper Repair Kit | |
| | Name | Qty. | |
| 1 | T86 | 4 | Bolt |
| 2 | KB012 | 2 | Indicator Cable |
| 3 | Y6 | 4 | Clip |
| | | | |
| | | | |
| | | | |
| | | | |
| | | | |



| | | | |
|------------------------|-------------|--------------------------|------|
| ANDAC No | | 0810 40144 | |
| OE Reference No | | WVA 29032 - 1908231 | |
| Application | | BENDIX ADB3700 - ADB4300 | |
| Description | | Caliper Repair Kit | |
| | Name | Qty. | |
| 1 | T86 | 4 | Bolt |
| 2 | Y6 | 4 | Clip |
| | | | |
| | | | |
| | | | |
| | | | |
| | | | |





BENDIX ADB3700 - ADB4300

BENDIX
ADB3700-ADB4300

**IVECO
BRAKE WEDGE**



IVECO BRAKE WEDGE

| | | |
|------------------------|-----------------------|------------------|
| ANDAC No | 0810 40134 | |
| OE Reference No | 93161254 - 12999418VT | |
| Application | Ø 360 Simplex | |
| Description | Caliper Repair Kit | |
| | Name | Qty. |
| 1 | K47 | 2 Boot |
| 2 | T98 | 2 Brake Adjuster |
| 3 | S47 | 2 Wavy Ring |
| 4 | S48 | 2 Washer |



| | | |
|------------------------|--------------------|-------------|
| ANDAC No | 0810 40136 | |
| OE Reference No | 42538062 | |
| Application | Ø 360 Simplex | |
| Description | Caliper Repair Kit | |
| | Name | Qty. |
| 1 | T163 | 1 Piston 7° |
| 2 | T164 | 1 Piston 0° |



| | | |
|------------------------|---|---------------------------|
| ANDAC No | 0810 40145 | |
| OE Reference No | 12 999 402VT - 93161267 - 1518475 - 654812-15 | |
| Application | Ø 360 Simplex | |
| Description | Caliper Repair Kit | |
| | Name | Qty. |
| 1 | T707 | 2 Piston - Ø41,90x49,00mm |
| 2 | T708 | 1 Brake Wedge |



| | | |
|------------------------|-------------------------|----------------------------------|
| ANDAC No | 0810 40146 | |
| OE Reference No | 12 999 403VT - 93161268 | |
| Application | Ø 360 Simplex | |
| Description | Caliper Repair Kit | |
| | Name | Qty. |
| 1 | T706 | 2 Calibration Gear - Ø36x21,50mm |
| 2 | T204 | 2 Calibration Gear - Ø32x18,30mm |
| 3 | T205 | 2 Calibration bolt |



IVECO BRAKE WEDGE

ANDAC No 0810 40174

OE Reference No

Application Ø 360 Simplex

Description Caliper Repair Kit

| | Name | Qty. | |
|---|------|------|--------------------------------|
| 1 | T98 | 2 | Brake Adjuster |
| 2 | T707 | 2 | Piston - Ø41,50x49,00mm |
| 3 | T706 | 2 | Calibration Gear - Ø36x21,50mm |
| 4 | T204 | 2 | Calibration Gear - Ø32x18,30mm |
| 5 | T205 | 2 | Calibration Bolt |
| 6 | K47 | 2 | Boot |
| 7 | S47 | 2 | Wavy Ring |
| 8 | S48 | 2 | Washer |



ANDAC No 0810 40176

OE Reference No 13 304 029

Application Ø 360/410 Simplex

Description Caliper Repair Kit

| | Name | Qty. | |
|---|------|------|--------|
| 1 | S259 | 1 | Clip |
| 2 | C117 | 1 | Screw |
| 3 | S260 | 1 | Washer |



ANDAC No 0810 40114

OE Reference No 42491950 - RBSK0502B.M - FBU6782 - 5021 203 245

Application Ø 394/381 Duplex

Description Caliper Repair Kit

| | Name | Qty. | |
|---|------|------|-------------------------|
| 1 | T88 | 2 | Piston - Ø34,90x49,00mm |
| 2 | T709 | 2 | Adjuster Clip |
| 3 | T90 | 2 | Drive Bush |
| 4 | Y19 | 2 | Spring |
| 5 | T167 | 2 | Brake Adjuster |
| 6 | K45 | 2 | Boot |



IVECO BRAKE WEDGE

| | | | |
|------------------------|------------------------|-------------|-------------------------|
| ANDAC No | 0810 40116 | | |
| OE Reference No | 42491974 - RBSK0549B.M | | |
| Application | Ø 394/381 Duplex | | |
| Description | Caliper Repair Kit | | |
| | Name | Qty. | |
| 1 | T88 | 1 | Piston - Ø34,90x49,00mm |
| 2 | T709 | 1 | Adjuster Clip |
| 3 | T90 | 1 | Drive Bush |



| | | | |
|------------------------|---|-------------|----------------|
| ANDAC No | 0810 40119 | | |
| OE Reference No | 42480059 - A2297L3158 - A164002 - 1696537 - 42480059 - 69028770 - Y07088205 - 634321222 | | |
| Application | Ø 394/381 Duplex | | |
| Description | Caliper Repair Kit | | |
| | Name | Qty. | |
| 1 | T167 | 1 | Brake Adjuster |



| | | | |
|------------------------|----------------------|-------------|-------------------------|
| ANDAC No | 0810 40120 | | |
| OE Reference No | 42480060 - 3280Y8163 | | |
| Application | Ø 394/381 Duplex | | |
| Description | Caliper Repair Kit | | |
| | Name | Qty. | |
| 1 | T87 | 1 | Piston - Ø38,50x55,50mm |



| | | | |
|------------------------|-----------------------------|-------------|---------------------|
| ANDAC No | 0810 40123 | | |
| OE Reference No | 7980405 - RBSK0248B.M | | |
| Application | Ø 394/381 Duplex | | |
| Description | Caliper Repair Kit (Left) | | |
| | Name | Qty. | |
| 1 | T95 | 2 | Plunger - Ø34,90mm |
| 2 | T649 | 2 | Adjuster Clip -19mm |
| 3 | K46 | 2 | Boot |



IVECO BRAKE WEDGE

| | | | |
|------------------------|------------------------------|------|---------------------|
| ANDAC No | 0810 40124 | | |
| OE Reference No | 7980406 - RBSK0248B.M | | |
| Application | Ø 394/381 Duplex | | |
| Description | Caliper Repair Kit (Right) | | |
| | Name | Qty. | |
| 1 | T94 | 2 | Plunger - Ø34,90mm |
| 2 | T649 | 2 | Adjuster Clip -19mm |
| 3 | K46 | 2 | Boot |



| | | | |
|------------------------|------------------------------|------|--------------------|
| ANDAC No | 0810 40125 | | |
| OE Reference No | 7984216 | | |
| Application | Ø 394/381 Duplex | | |
| Description | Caliper Repair Kit (Right) | | |
| | Name | Qty. | |
| 1 | T94 | 1 | Plunger - Ø38,50mm |



| | | | |
|------------------------|-----------------------------|------|--------------------|
| ANDAC No | 0810 40126 | | |
| OE Reference No | 7984217 | | |
| Application | Ø 394/381 Duplex | | |
| Description | Caliper Repair Kit (Left) | | |
| | Name | Qty. | |
| 1 | T95 | 1 | Plunger - Ø38,50mm |



| | | | |
|------------------------|-----------------------|------|------|
| ANDAC No | 0810 40127 | | |
| OE Reference No | 7980408 - RBSK0251B.M | | |
| Application | Ø 394/381 Duplex | | |
| Description | Caliper Repair Kit | | |
| | Name | Qty. | |
| 1 | K45 | 4 | Boot |
| 2 | K46 | 4 | Boot |



IVECO BRAKE WEDGE

| | | | |
|------------------------|-------------|-------------------------------|------|
| ANDAC No | | 0810 40128 | |
| OE Reference No | | 42488735 - 1205B1666 - 166045 | |
| Application | | Ø 394/381 Duplex | |
| Description | | Caliper Repair Kit | |
| | Name | Qty. | |
| 1 | K45 | 1 | Boot |
| | | | |
| | | | |



| | | | |
|------------------------|-------------|-------------------------------|------|
| ANDAC No | | 0810 40129 | |
| OE Reference No | | 42488736 - 1205C1667 - 166046 | |
| Application | | Ø 394/381 Duplex | |
| Description | | Caliper Repair Kit | |
| | Name | Qty. | |
| 1 | K46 | 1 | Boot |
| | | | |
| | | | |



| | | | |
|------------------------|-------------|------------------------------------|------|
| ANDAC No | | 0810 40130 | |
| OE Reference No | | 42531677 - 1205x2000 - 6C462B009AA | |
| Application | | Ø 394/381 Duplex | |
| Description | | Caliper Repair Kit | |
| | Name | Qty. | |
| 1 | K44 | 1 | Boot |
| | | | |
| | | | |



| | | | |
|------------------------|-------------|---|-------|
| ANDAC No | | 0810 40131 | |
| OE Reference No | | 42488484 - 2257D108 - 2257M1001 - 6770266C - 69028800 - Y03018809 - 634321233 - 82DB2B026AA | |
| Application | | Ø 394/381 Duplex | |
| Description | | Caliper Repair Kit (Left) | |
| | Name | Qty. | |
| 1 | S46 | 1 | Clip |
| 2 | C116 | 1 | Screw |
| | | | |
| | | | |



IVECO BRAKE WEDGE

| | | | |
|-----------------|------|--------------------|-------------|
| ANDAC No | | 0810 40132 | |
| OE Reference No | | | |
| Application | | Ø 394/381 Duplex | |
| Description | | Caliper Repair Kit | |
| | Name | Qty. | |
| 1 | T96 | 2 | Brake Wedge |



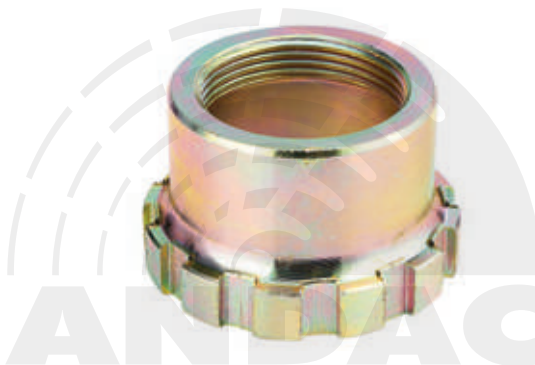
| | | | |
|-----------------|------|--------------------|-------------|
| ANDAC No | | 0810 40156 | |
| OE Reference No | | | |
| Application | | Ø 394/381 Duplex | |
| Description | | Caliper Repair Kit | |
| | Name | Qty. | |
| 1 | T690 | 2 | Brake Wedge |



| | | | |
|-----------------|------|--|-------------|
| ANDAC No | | 0810 40161 | |
| OE Reference No | | A2247U47 - 424800062 - RBSK0250B.M - 7980407 | |
| Application | | Ø 394/381 Duplex | |
| Description | | Caliper Repair Kit | |
| | Name | Qty. | |
| 1 | T691 | 2 | Brake Wedge |

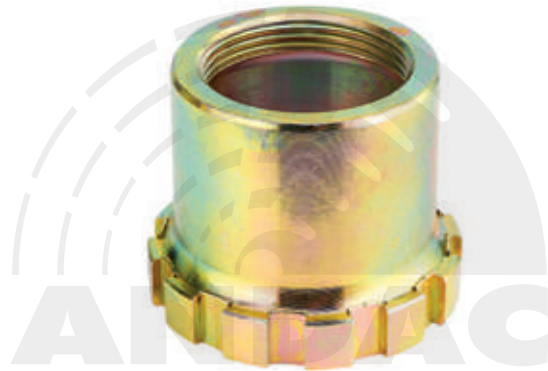


| | | | |
|-----------------|------|--------------------|------------|
| ANDAC No | | 0810 40162 | |
| OE Reference No | | 165017 | |
| Application | | Ø 394/381 Duplex | |
| Description | | Caliper Repair Kit | |
| | Name | Qty. | |
| 1 | T692 | 1 | Coller Nut |



IVECO BRAKE WEDGE

| | | | |
|------------------------|--------------------|-------------|------------|
| ANDAC No | 0810 40163 | | |
| OE Reference No | 165005 | | |
| Application | Ø 394/381 Duplex | | |
| Description | Caliper Repair Kit | | |
| | Name | Qty. | |
| 1 | T693 | 1 | Coller Nut |
| | | | |
| | | | |



| | | | |
|------------------------|--------------------|-------------|-------------------------|
| ANDAC No | 0810 40117 | | |
| OE Reference No | 42536195 | | |
| Application | Ø 410 Duplex | | |
| Description | Caliper Repair Kit | | |
| | Name | Qty. | |
| 1 | T700 | 1 | Piston - Ø38,50x48,50mm |
| 2 | T701 | 1 | Drive Bush |
| 3 | T92 | 1 | Adjuster Clip |
| | | | |



| | | | |
|------------------------|------------------------------------|-------------|--------------------------|
| ANDAC No | 0810 40121 | | |
| OE Reference No | RBSK1600.M - RBSK1607.M - 42537364 | | |
| Application | Ø 410 Duplex | | |
| Description | Caliper Repair Kit (Left) | | |
| | Name | Qty. | |
| 1 | T646 | 2 | Plunger - Ø38,50x71,50mm |
| 2 | T648 | 2 | Adjuster Clip - 22mm |
| 3 | K154 | 2 | Boot |
| | | | |



| | | | |
|------------------------|------------------------------------|-------------|--------------------------|
| ANDAC No | 0810 40122 | | |
| OE Reference No | RBSK1599.M - RBSK1606.M - 42537363 | | |
| Application | Ø 410 Duplex | | |
| Description | Caliper Repair Kit (Left) | | |
| | Name | Qty. | |
| 1 | T647 | 2 | Plunger - Ø38,50x71,50mm |
| 2 | T648 | 2 | Adjuster Clip - 22mm |
| 3 | K154 | 2 | Boot |
| | | | |



IVECO BRAKE WEDGE

| | | | |
|------------------------|------|--------------------|-------------------------|
| ANDAC No | | 0810 40139 | |
| OE Reference No | | 42559512 | |
| Application | | Ø 410 Duplex | |
| Description | | Caliper Repair Kit | |
| | Name | Qty. | |
| 1 | T87 | 2 | Piston - Ø38,50x55,50mm |
| 2 | T91 | 2 | Drive Bush |
| 3 | T92 | 2 | Adjuster Clip |
| 4 | T694 | 2 | Brake Adjuster |
| 5 | K44 | 2 | Boot |
| 6 | Y76 | 2 | Spring |



| | | | |
|------------------------|------|--------------------|----------------|
| ANDAC No | | 0810 40140 | |
| OE Reference No | | 2996557 | |
| Application | | Ø 410 Duplex | |
| Description | | Caliper Repair Kit | |
| | Name | Qty. | |
| 1 | T91 | 4 | Drive Bush |
| 2 | T92 | 4 | Adjuster Clip |
| 3 | T694 | 4 | Brake Adjuster |
| 4 | K44 | 4 | Boot |



| | | | |
|------------------------|------|--------------------|-------------------------|
| ANDAC No | | 0810 40165 | |
| OE Reference No | | 42536197 | |
| Application | | Ø 410 Duplex | |
| Description | | Caliper Repair Kit | |
| | Name | Qty. | |
| 1 | T87 | 2 | Piston - Ø38,50x55,50mm |
| 2 | T91 | 2 | Drive Bush |
| 3 | T92 | 2 | Adjuster Clip |
| 4 | T93 | 2 | Brake Adjuster |
| 5 | K44 | 2 | Boot |
| 6 | Y11 | 2 | Spring |



| | | |
|------------------------|--------------------|------|
| ANDAC No | 0810 40166 | |
| OE Reference No | RBSK2318.M | |
| Application | Ø 410 Duplex | |
| Description | Caliper Repair Kit | |
| | Name | Qty. |
| 1 | T694 | 4 |
| 2 | T87 | 4 |
| 3 | T91 | 4 |
| 4 | T92 | 4 |
| 5 | K44 | 4 |



| | | |
|------------------------|--------------------|------|
| ANDAC No | 0810 40167 | |
| OE Reference No | RBSK2030.M | |
| Application | Ø 410 Duplex | |
| Description | Caliper Repair Kit | |
| | Name | Qty. |
| 1 | K44 | 4 |
| 2 | K154 | 4 |



| | | |
|------------------------|--------------------|------|
| ANDAC No | 0810 40168 | |
| OE Reference No | 1227K1337 | |
| Application | Ø 410 Duplex | |
| Description | Caliper Repair Kit | |
| | Name | Qty. |
| 1 | T698 | 1 |



IVECO BRAKE WEDGE

| | | | |
|------------------------|---------------------------|-------------|-------------------------|
| ANDAC No | 0810 40169 | | |
| OE Reference No | 42538065 | | |
| Application | Ø 410 Duplex | | |
| Description | Caliper Repair Kit | | |
| | Name | Qty. | |
| 1 | T699 | 2 | Brake Adjuster |
| 2 | T701 | 2 | Drive Bush |
| 3 | T700 | 2 | Piston - Ø38,50x48,50mm |
| 4 | K44 | 2 | Boot |
| 5 | T92 | 2 | Adjuster Clip |
| 6 | Y78 | 1 | Spring |
| 7 | Y79 | 1 | Spring |



| | | | |
|------------------------|---|-------------|-------------------------|
| ANDAC No | 0810 40113 | | |
| OE Reference No | 93161622 - 93162114 - RBSK1408.M | | |
| Application | Ø 410 Duplex | | |
| Description | Caliper Repair Kit | | |
| | Name | Qty. | |
| 1 | T87 | 2 | Piston - Ø38,50x55,50mm |
| 2 | T91 | 2 | Drive Bush |
| 3 | T92 | 2 | Adjuster Clip |
| 4 | T93 | 2 | Brake Adjuster |
| 5 | K44 | 2 | Boot |
| 6 | Y11 | 1 | Spring |
| 7 | Y10 | 1 | Spring |



| | | | |
|------------------------|-------------------------------|-------------|----------------|
| ANDAC No | 0810 40118 | | |
| OE Reference No | 42531676 - A22297E5907 | | |
| Application | Ø 410 Duplex | | |
| Description | Caliper Repair Kit | | |
| | Name | Qty. | |
| 1 | T93 | 1 | Brake Adjuster |



IVECO BRAKE WEDGE

| | | | |
|------------------------|-------------|------------------------------------|-------------|
| ANDAC No | | 0810 40133 | |
| OE Reference No | | 93161621 - RBSK1255.M - RBSK2051.M | |
| Application | | Ø 410 Simplex | |
| Description | | Caliper Repair Kit | |
| | Name | Qty. | |
| 1 | T97 | 2 | Brake Wedge |
| | | | |
| | | | |
| | | | |
| | | | |
| | | | |



| | | | |
|------------------------|-------------|-----------------------------------|--------------------------------|
| ANDAC No | | 0810 40135 | |
| OE Reference No | | 8124815 - 93161256 - 12 999 411VT | |
| Application | | Ø 410 Simplex | |
| Description | | Caliper Repair Kit | |
| | Name | Qty. | |
| 1 | T205 | 2 | Calibration Bolt |
| 2 | T204 | 2 | Calibration Gear - Ø32x18,30mm |
| 3 | T203 | 2 | Calibration Gear - Ø38x21,50mm |
| | | | |
| | | | |
| | | | |



| | | | |
|------------------------|-------------|--------------------|----------------|
| ANDAC No | | 0810 40170 | |
| OE Reference No | | 2996557 | |
| Application | | Ø 410 Simplex | |
| Description | | Caliper Repair Kit | |
| | Name | Qty. | |
| 1 | T91 | 4 | Drive Bush |
| 2 | T92 | 4 | Adjuster Clip |
| 3 | T694 | 4 | Brake Adjuster |
| 4 | K44 | 4 | Boot |
| | | | |
| | | | |
| | | | |



IVECO BRAKE WEDGE

| | | | |
|------------------------|-------------|--------------------|-------------------------|
| ANDAC No | | 0810 40171 | |
| OE Reference No | | RBSK1481.M | |
| Application | | Ø 410 Simplex | |
| Description | | Caliper Repair Kit | |
| | Name | Qty. | |
| 1 | T702 | 1 | Anchor Plunger 5° Left |
| 2 | T704 | 1 | Anchor Plunger 15° Left |
| | | | |
| | | | |
| | | | |
| | | | |



| | | | |
|------------------------|-------------|--------------------|--------------------------|
| ANDAC No | | 0810 40172 | |
| OE Reference No | | RBSK1482.M | |
| Application | | Ø 410 Simplex | |
| Description | | Caliper Repair Kit | |
| | Name | Qty. | |
| 1 | T703 | 1 | Anchor Plunger 5° Right |
| 2 | T705 | 1 | Anchor Plunger 15° Right |
| | | | |
| | | | |
| | | | |
| | | | |



| | | | |
|------------------------|-------------|--------------------|------|
| ANDAC No | | 0810 40173 | |
| OE Reference No | | 225781004 | |
| Application | | Ø 410 Simplex | |
| Description | | Caliper Repair Kit | |
| | Name | Qty. | |
| 1 | S258 | 1 | Clip |
| | | | |
| | | | |
| | | | |
| | | | |



IVECO BRAKE WEDGE

| | | | |
|------------------------|--------------------|-------------|-----------|
| ANDAC No | 0810 40137 | | |
| OE Reference No | 12999404VT | | |
| Application | Ø 410 Simplex | | |
| Description | Caliper Repair Kit | | |
| | Name | Qty. | |
| 1 | K47 | 2 | Boot |
| 2 | S47 | 2 | Wavy Ring |
| 3 | S48 | 2 | Washer |
| | | | |
| | | | |
| | | | |
| | | | |

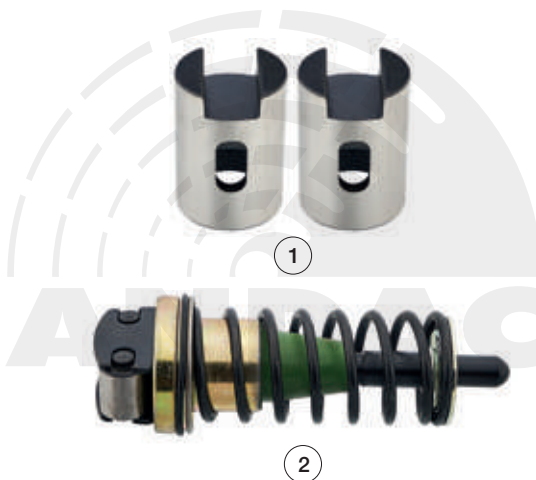


| | | | |
|------------------------|--------------------|-------------|--------------------------------|
| ANDAC No | 0810 40901 | | |
| OE Reference No | | | |
| Application | Ø 410 Simplex | | |
| Description | Caliper Repair Kit | | |
| | Name | Qty. | |
| 1 | K47 | 2 | Boot |
| 2 | T98 | 2 | Brake Adjuster |
| 3 | S47 | 2 | Wavy Ring |
| 4 | S48 | 2 | Washer |
| 5 | T592 | 2 | Piston - Ø43,90x61,00mm |
| 6 | T203 | 2 | Calibration Gear - Ø38x21,50mm |
| 7 | T204 | 2 | Calibration Gear - Ø32x18,30mm |
| 8 | T205 | 2 | Bolt |
| | | | |
| | | | |
| | | | |



IVECO BRAKE WEDGE

| | | | |
|------------------------|-------------|--------------------|-------------------------|
| ANDAC No | | 0810 40905 | |
| OE Reference No | | 12999410VT | |
| Application | | Ø 410 Simplex | |
| Description | | Caliper Repair Kit | |
| | Name | Qty. | |
| 1 | T592 | 2 | Piston - Ø43,90x61,00mm |
| 2 | T96 | 1 | Brake Wedge |
| | | | |
| | | | |
| | | | |
| | | | |



| | | | |
|------------------------|-------------|------------------------|-------------------------|
| ANDAC No | | 0810 40115 | |
| OE Reference No | | 93161623 - RBSK 1407.M | |
| Application | | Ø 410 Simplex | |
| Description | | Caliper Repair Kit | |
| | Name | Qty. | |
| 1 | T87 | 1 | Piston - Ø38,50x55,50mm |
| 2 | T91 | 1 | Drive Bush |
| 3 | T92 | 1 | Adjuster Clip |
| | | | |
| | | | |
| | | | |
| | | | |



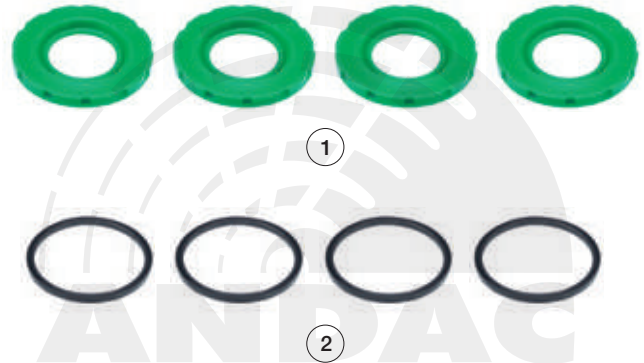


HYDRAULIC CALIPER

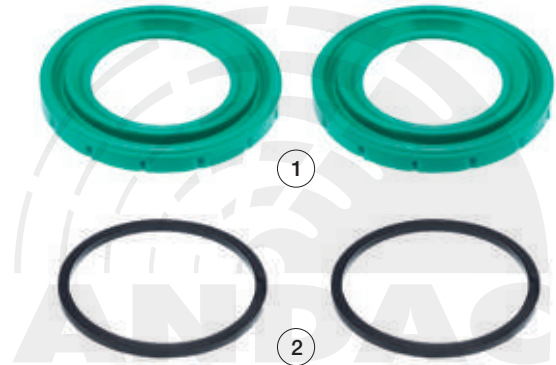


HYDRAULIC CALIPER

| | | | |
|------------------------|--------------------|-------------|------------|
| ANDAC No | 0810 40101 | | |
| OE Reference No | 93161181 | | |
| Application | Hydraulic Caliper | | |
| Description | Caliper Repair Kit | | |
| | Name | Qty. | |
| 1 | K36 | 4 | Dust Cover |
| 2 | K36-1 | 4 | Seal |



| | | | |
|------------------------|--------------------|-------------|------------|
| ANDAC No | 0810 40102 | | |
| OE Reference No | 93161429 | | |
| Application | Hydraulic Caliper | | |
| Description | Caliper Repair Kit | | |
| | Name | Qty. | |
| 1 | K37 | 2 | Dust Cover |
| 2 | K37-1 | 2 | Seal |



| | | | |
|------------------------|--------------------|-------------|-----------------|
| ANDAC No | 0810 40103 | | |
| OE Reference No | 93162033 | | |
| Application | Hydraulic Caliper | | |
| Description | Caliper Piston Set | | |
| | Name | Qty. | |
| 1 | T79 | 2 | Piston Ø68x38mm |



| | | | |
|------------------------|--------------------|-------------|-----------------|
| ANDAC No | 0810 40104 | | |
| OE Reference No | 93160387 | | |
| Application | Hydraulic Caliper | | |
| Description | Caliper Piston Set | | |
| | Name | Qty. | |
| 1 | T80 | 4 | Piston Ø50x38mm |



HYDRALIC CALIPER

| | | | |
|------------------------|-------------|--------------------|-----------------|
| ANDAC No | | 0810 40105 | |
| OE Reference No | | 93159285 | |
| Application | | Hydraulic Caliper | |
| Description | | Caliper Piston Set | |
| | Name | Qty. | |
| 1 | T81 | 1 | Piston Ø68x63mm |
| | | | |
| | | | |



| | | | |
|------------------------|-------------|--------------------|-----------------|
| ANDAC No | | 0810 40106 | |
| OE Reference No | | 93161244 | |
| Application | | Hydraulic Caliper | |
| Description | | Caliper Repair Kit | |
| | Name | Qty. | |
| 1 | T82 | 1 | Piston Ø68x63mm |
| | | | |
| | | | |



| | | | |
|------------------------|-------------|--------------------------|----------------------|
| ANDAC No | | 0810 40108 | |
| OE Reference No | | 93161471 - SJ1033 | |
| Application | | Hydraulic Caliper | |
| Description | | Caliper Repair Kit Ø68mm | |
| | Name | Qty. | |
| 1 | K95 | 2 | Boot - Ø68mm |
| 2 | K96 | 2 | O-Ring - Ø68mm |
| 3 | S12 | 2 | Metal Tap - Ø24x12mm |
| 4 | K97 | 1 | Seal |
| 5 | K98 | 2 | O-Ring |
| 6 | K99 | 2 | O-Ring |
| 7 | K38 | 2 | Boot |
| 8 | K100 | 1 | O-Ring |
| 9 | SK4 | 1 | Snap Ring |
| 10 | SK5 | 1 | Snap Ring |
| 11 | T127 | 2 | Screw |
| | | | |
| | | | |



HYDRAULIC CALIPER

| | | |
|------------------------|--------------------------|----------------------|
| ANDAC No | 0810 40178 | |
| OE Reference No | SP9670 | |
| Application | Hydraulic Caliper | |
| Description | Caliper Repair Kit Ø68mm | |
| | Name | Qty. |
| 1 | K95 | 2 Boot |
| 2 | K96 | 2 O-Ring |
| 3 | S272 | 2 Metal Tap Ø22X12mm |
| 4 | K97 | 1 Seal |
| 5 | K98 | 2 O-Ring |
| 6 | K99 | 2 O-Ring |
| 7 | K38 | 2 Boot |
| 8 | K100 | 1 O-Ring |
| 9 | SK4 | 1 Snap Ring |
| 10 | SK5 | 1 Snap Ring |
| 11 | S273 | 2 Metal Tap Ø22X8mm |



| | | |
|------------------------|--------------------------|------------------------|
| ANDAC No | 0810 40179 | |
| OE Reference No | SJ1030 | |
| Application | Hydraulic Caliper | |
| Description | Caliper Repair Kit Ø60mm | |
| | Name | Qty. |
| 1 | K185 | 2 Boot |
| 2 | K186 | 2 O-Ring |
| 3 | S12 | 2 Metal Tap - Ø24X12mm |
| 4 | K97 | 1 Seal |
| 5 | K98 | 2 O-Ring |
| 6 | K99 | 2 O-Ring |
| 7 | K38 | 2 Boot |
| 8 | K100 | 1 O-Ring |
| 9 | SK4 | 1 Snap Ring |
| 10 | SK5 | 1 Snap Ring |
| 11 | T127 | 2 Screw |



HYDRALIC CALIPER

ANDAC No 0810 40180

| | | | |
|-----------------|--------------------------|--------------------|--|
| OE Reference No | SP9669 | | |
| Application | Hydraulic Caliper | | |
| Description | Caliper Repair Kit Ø58mm | | |
| Name | Qty. | | |
| 1 K187 | 2 | Boot | |
| 2 K188 | 2 | O-Ring | |
| 3 S272 | 2 | Metal Tap Ø22X12mm | |
| 4 K97 | 1 | Seal | |
| 5 K98 | 2 | O-Ring | |
| 6 K99 | 2 | O-Ring | |
| 7 K38 | 2 | Boot | |
| 8 K100 | 1 | O-Ring | |
| 9 SK4 | 1 | Snap Ring | |
| 10 SK5 | 1 | Snap Ring | |
| 11 S273 | 2 | Metal Tap Ø22X8mm | |



ANDAC No 0810 40151

| | | | |
|-----------------|--------------------------|--------|--|
| OE Reference No | SP8597 | | |
| Application | Hydraulic Caliper | | |
| Description | Caliper Repair Kit Ø60mm | | |
| Name | Qty. | | |
| 1 K185 | 2 | Boot | |
| 2 K186 | 2 | O-Ring | |
| 3 K38 | 2 | Boot | |



ANDAC No 0810 40155

| | | | |
|-----------------|--------------------------|--------------------|--|
| OE Reference No | SJ1037 | | |
| Application | IVECO | | |
| Description | Caliper Repair Kit Ø60mm | | |
| Name | Qty. | | |
| 1 K185 | 2 | Boot | |
| 2 K186 | 2 | O-Ring | |
| 3 K38 | 2 | Boot | |
| 4 S12 | 2 | Metal Tap Ø24X12mm | |



HYDRALIC CALIPER

| | | |
|------------------------|--------------------------|----------------------|
| ANDAC No | 0810 40149 | |
| OE Reference No | SP8564 | |
| Application | Hydraulic Caliper | |
| Description | Caliper Repair Kit Ø58mm | |
| | Name | Qty. |
| 1 | K95 | 2 Boot |
| 2 | K96 | 2 O-Ring |
| 3 | S272 | 2 Metal Tap Ø22X12mm |
| 4 | S273 | 2 Metal Tap Ø22X8mm |
| 5 | K38 | 2 Boot |



| | | |
|------------------------|--------------------------|----------------------|
| ANDAC No | 0810 40182 | |
| OE Reference No | SP8567 | |
| Application | Hydraulic Caliper | |
| Description | Caliper Repair Kit Ø58mm | |
| | Name | Qty. |
| 1 | K187 | 2 Boot |
| 2 | K188 | 2 O-Ring |
| 3 | K38 | 2 Boot |
| 4 | S272 | 2 Metal Tap Ø22X12mm |
| 5 | S273 | 2 Metal Tap Ø22X8mm |



| | | |
|------------------------|--------------------|-------------|
| ANDAC No | 0810 40154 | |
| OE Reference No | SP8566 | |
| Application | Hydraulic Caliper | |
| Description | Caliper Repair Kit | |
| | Name | Qty. |
| 1 | K38 | 2 Boot |
| 2 | T127 | 2 Screw |



| | | |
|------------------------|---------------------------|-----------------------------|
| ANDAC No | 0810 40183 | |
| OE Reference No | | |
| Application | Hydraulic Caliper | |
| Description | Caliper Bleeder Screw Kit | |
| | Name | Qty. |
| 1 | HR4 | 1 Caliper Bleeder Screw M12 |



HYDRALIC CALIPER

| | | |
|------------------------|--------------------|-----------------------|
| ANDAC No | 0810 40181 | |
| OE Reference No | SJ1034 | |
| Application | Hydraulic Caliper | |
| Description | Caliper Repair Kit | |
| | Name | Qty. |
| 1 | T773 | 2 Guide Pin Ø20x71mm |
| 2 | C19 | 2 Screw M12x1,25x85mm |
| 3 | K38 | 2 Boot |
| 4 | S12 | 2 Metal Tap Ø24X12mm |
| 5 | T127 | 2 Cap Screw |



| | | |
|------------------------|--------------------|-----------------------|
| ANDAC No | 0810 40150 | |
| OE Reference No | SP8565 | |
| Application | Hydraulic Caliper | |
| Description | Caliper Repair Kit | |
| | Name | Qty. |
| 1 | T83 | 2 Guide Pin Ø20x71mm |
| 2 | C19 | 2 Screw M12x1,25x85mm |
| 3 | K38 | 2 Boot |
| 4 | S272 | 2 Metal Tap Ø22X12mm |
| 5 | S273 | 2 Metal Tap Ø22X8mm |



| | | |
|------------------------|--------------------|----------------------|
| ANDAC No | 0810 40153 | |
| OE Reference No | ST1154 | |
| Application | Hydraulic Caliper | |
| Description | Caliper Repair Kit | |
| | Name | Qty. |
| 1 | K38 | 2 Boot |
| 2 | S12 | 2 Metal Tap Ø24X12mm |
| 3 | T127 | 2 Cap Screw |



HYDRALIC CALIPER

| ANDAC No | | 0810 40157 |
|-----------------|------|---------------------------------|
| OE Reference No | | 0004200054 - 0004210850 |
| Application | | Hydraulic Caliper |
| Description | | Caliper Repair Kit |
| Name | Qty. | |
| 1 T769 | 1 | Guide Pin Ø18x66mm |
| 2 T770 | 1 | Guide Pin Ø18x66mm w/ bush slot |
| 3 C122 | 2 | Screw M8x1,25x70mm |
| 4 K184 | 1 | Rubber Sleeve |
| 5 K182 | 2 | Pin Plug |
| 6 K183 | 2 | Pin Boot |



| ANDAC No | | 0810 40160 |
|-----------------|------|---------------------------------|
| OE Reference No | | 42548197 - 42555416 |
| Application | | Hydraulic Caliper |
| Description | | Caliper Repair Kit |
| Name | Qty. | |
| 1 T770 | 2 | Guide Pin Ø18x66mm w/ bush slot |
| 2 C122 | 2 | Screw M8x1,25x70mm |
| 3 S269 | 2 | Pin Boot Clamp |
| 4 K182 | 2 | Pin Plug |
| 5 K189 | 2 | Pin Boot |



| ANDAC No | | 0810 40185 |
|-----------------|------|--------------------|
| OE Reference No | | |
| Application | | Hydraulic Caliper |
| Description | | Caliper Repair Kit |
| Name | Qty. | |
| 1 K189 | 4 | Pin Boot |

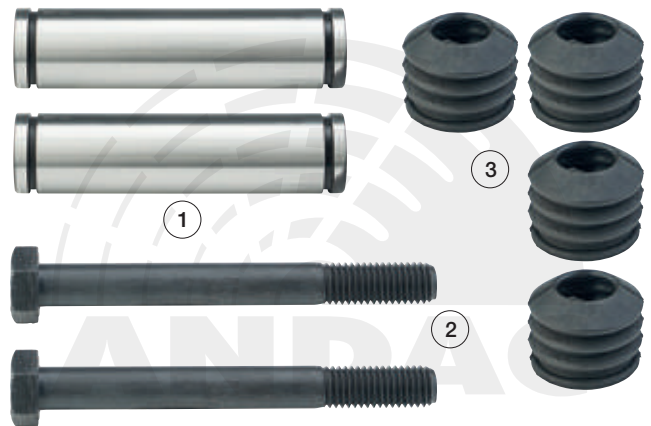


HYDRALIC CALIPER

| | | |
|------------------------|--------------------|-------------|
| ANDAC No | 0810 40158 | |
| OE Reference No | 42559195 | |
| Application | Hydraulic Caliper | |
| Description | Caliper Repair Kit | |
| | Name | Qty. |
| 1 | T612 | 2 |
| 2 | C54 | 2 |
| 3 | K155 | 4 |
| | | |
| | | |



| | | |
|------------------------|--------------------|-------------|
| ANDAC No | 0810 40159 | |
| OE Reference No | 93161759 | |
| Application | Hydraulic Caliper | |
| Description | Caliper Repair Kit | |
| | Name | Qty. |
| 1 | T613 | 2 |
| 2 | C119 | 2 |
| 3 | K155 | 4 |
| | | |
| | | |



| | | |
|------------------------|-----------------------------|-------------|
| ANDAC No | 0810 40186 | |
| OE Reference No | | |
| Application | Hydraulic Caliper | |
| Description | Caliper Piston Kit Ø60x65mm | |
| | Name | Qty. |
| 1 | T774 | 1 |
| | | |
| | | |



| | | |
|------------------------|--|-------------|
| ANDAC No | 0810 40187 | |
| OE Reference No | | |
| Application | Hydraulic Caliper | |
| Description | Caliper Hand Brake Piston Kit Ø60x65mm | |
| | Name | Qty. |
| 1 | T775 | 1 |
| | | |
| | | |



HYDRALIC CALIPER

| | | | |
|-----------------|------|--|-------------------------------------|
| ANDAC No | | 0810 40188 | |
| OE Reference No | | | |
| Application | | Hydraulic Caliper | |
| Description | | Caliper Hand Brake Piston Kit Ø60x75mm | |
| | Name | Qty. | |
| 1 | T398 | 1 | Hand Brake Brembo New Type Ø60x75mm |
| | | | |
| | | | |



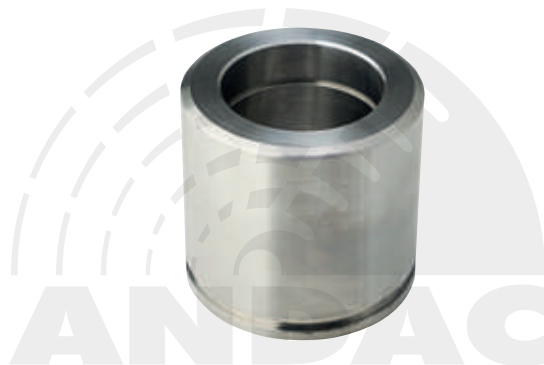
| | | | |
|-----------------|------|-----------------------------|-------------------------------------|
| ANDAC No | | 0810 40189 | |
| OE Reference No | | | |
| Application | | Hydraulic Caliper | |
| Description | | Caliper Piston Kit Ø60x75mm | |
| | Name | Qty. | |
| 1 | T402 | 1 | Foot Brake Brembo New Type Ø60x75mm |
| | | | |
| | | | |



| | | | |
|-----------------|------|-----------------------------|---------------------------|
| ANDAC No | | 0810 40190 | |
| OE Reference No | | 68321603 | |
| Application | | Hydraulic Caliper | |
| Description | | Caliper Piston Kit Ø60x63mm | |
| | Name | Qty. | |
| 1 | T400 | 1 | Girling New type Ø60x63mm |
| | | | |
| | | | |



| | | | |
|-----------------|------|-----------------------------|--------------------------------------|
| ANDAC No | | 0810 40191 | |
| OE Reference No | | 68320567 | |
| Application | | Hydraulic Caliper | |
| Description | | Caliper Piston Kit Ø68x63mm | |
| | Name | Qty. | |
| 1 | T401 | 1 | Girling Hand Brake New type Ø68x63mm |
| | | | |
| | | | |



HYDRALIC CALIPER

| | | | |
|------------------------|-------------|-----------------------------|---|
| ANDAC No | | 0810 40192 | |
| OE Reference No | | | |
| Application | | Hydraulic Caliper | |
| Description | | Caliper Piston Kit Ø68x63mm | |
| | Name | Qty. | |
| 1 | T403 | 1 | Brembo Foot Brake Brake New type Ø68x63mm |
| | | | |
| | | | |



| | | | |
|------------------------|-------------|--------------------------------|--------------------------------------|
| ANDAC No | | 0810 40193 | |
| OE Reference No | | | |
| Application | | Hydraulic Caliper | |
| Description | | Caliper Piston Kit Ø60x61,50mm | |
| | Name | Qty. | |
| 1 | T399 | 1 | Girling Foot Brake Brake Ø68x61,50mm |
| | | | |
| | | | |



| | | | |
|------------------------|-------------|----------------------|------------------|
| ANDAC No | | 0810 40194 | |
| OE Reference No | | | |
| Application | | Hydraulic Caliper | |
| Description | | Girling Adjuster Kit | |
| | Name | Qty. | |
| 1 | T405 | 1 | Girling Adjuster |
| | | | |
| | | | |



| | | | |
|------------------------|-------------|--------------------------------|---------------------------|
| ANDAC No | | 0810 40195 | |
| OE Reference No | | | |
| Application | | Hydraulic Caliper | |
| Description | | Caliper Piston Kit Ø56x36,50mm | |
| | Name | Qty. | |
| 1 | T404 | 1 | Perrot Piston Ø56x36,50mm |
| | | | |
| | | | |



HYDRALIC CALIPER

| | | | |
|--------------------|------|------------------------------------|-----------------------------|
| ANDAC No | | 0810 40196 | |
| OE Reference No | | | |
| Application | | Hydraulic Caliper | |
| Description | | Brembo Hand Brake Adjuster 39,35mm | |
| | Name | Qty. | |
| 1 | T776 | 1 | Hand Brake Adjuster 39,35mm |
| | | | |
| | | | |



| | | | |
|--------------------|------|--------------------------|------------------|
| ANDAC No | | 0810 40197 | |
| OE Reference No | | | |
| Application | | Hydraulic Caliper | |
| Description | | Caliper Hand Brake Shaft | |
| | Name | Qty. | |
| 1 | T777 | 1 | Hand Brake Shaft |
| | | | |
| | | | |



| | | | |
|--------------------|------|------------------------|--------------------|
| ANDAC No | | 0810 40198 | |
| OE Reference No | | | |
| Application | | Hydraulic Caliper | |
| Description | | Caliper Piston Cap Kit | |
| | Name | Qty. | |
| 1 | S274 | 1 | Piston Cap Ø45x8mm |
| 2 | S275 | 1 | Piston Cap Ø50x9mm |
| | | | |
| | | | |





▶ HYDRALIC CALIPER



ANDAÇ OTOMOTİV SAN. TİC. LTD. ŞTİ.

AOSB, 10037 Sokak No:5, 35620 Çiğli - İzmir / TÜRKİYE

Phone: +90 232 478 01 01 / +90 232 478 04 14

Fax: +90 232 479 77 84

info@andacotomotiv.com

export@andacotomotiv.com

www.andacotomotiv.com.tr